



US00D622312S

(12) **United States Design Patent**  
**Yoshida et al.**

(10) **Patent No.:** **US D622,312 S**  
(45) **Date of Patent:** **\*\* Aug. 24, 2010**

(54) **TONER CARTRIDGE**  
(75) Inventors: **Satoru Yoshida**, Tokyo (JP); **Kunihiro Ohyama**, Kanagawa (JP); **Hiroko Suzuki**, Kanagawa (JP)  
(73) Assignee: **Ricoh Company, Ltd.**, Tokyo (JP)  
(\*\*) Term: **14 Years**  
(21) Appl. No.: **29/333,909**  
(22) Filed: **Mar. 17, 2009**  
(30) **Foreign Application Priority Data**  
Sep. 17, 2008 (JP) ..... 2008-023794

JP	2003-162151 A	6/2003
JP	2003-337476 A	11/2003
JP	2004-240338 A	8/2004
JP	2004-361912 A	12/2004
JP	2005-91854 A	4/2005
JP	2006-47518 A	2/2006
JP	2006-98601 A	4/2006
JP	2006-98882 A	4/2006
JP	2006-113419 A	4/2006
JP	2006-146013 A	6/2006
JP	2006-201528 A	8/2006
JP	2006-221132 A	8/2006
JP	2007-11086 A	1/2007
JP	2007-41209 A	2/2007
JP	2007-127944 A	5/2007
JP	2007-171410 A	7/2007
JP	2007-183340 A	7/2007

(51) **LOC (9) Cl.** ..... **16-03**  
(52) **U.S. Cl.** ..... **D18/43**  
(58) **Field of Classification Search** ..... D14/462,  
D14/471, 474, 475; D18/12, 36, 40, 43,  
D18/44, 56; 222/DIG. 1; 347/197, 214,  
347/222; 399/24-27, 107-112, 119, 121,  
399/122, 222-224  
See application file for complete search history.

(56) **References Cited**  
U.S. PATENT DOCUMENTS  
6,185,401 B1 \* 2/2001 Kanamori et al. .... 399/119  
6,256,470 B1 \* 7/2001 Taniyama et al. .... 222/DIG. 1  
D451,537 S \* 12/2001 Ozawa et al. .... D18/40  
D532,037 S \* 11/2006 Tsuda et al. .... D18/43  
2007/0160392 A1 7/2007 Tsuda et al.  
2008/0025761 A1 1/2008 Yoshida  
2008/0038021 A1 2/2008 Tsuda et al.  
2008/0085138 A1 4/2008 Yoshida  
2008/0253804 A1 \* 10/2008 Furuta et al. .... 399/119  
2008/0260432 A1 \* 10/2008 Ohyama et al. .... 399/258  
2008/0267668 A1 10/2008 Sakata et al.  
2009/0080943 A1 3/2009 Kato et al.  
2009/0087214 A1 4/2009 Utsunomiya et al.

FOREIGN PATENT DOCUMENTS  
JP 2002-139908 A 5/2002

(Continued)

*Primary Examiner*—Caron Veynar  
*Assistant Examiner*—Garth Rademaker  
(74) *Attorney, Agent, or Firm*—Dickstein Shapiro LLP

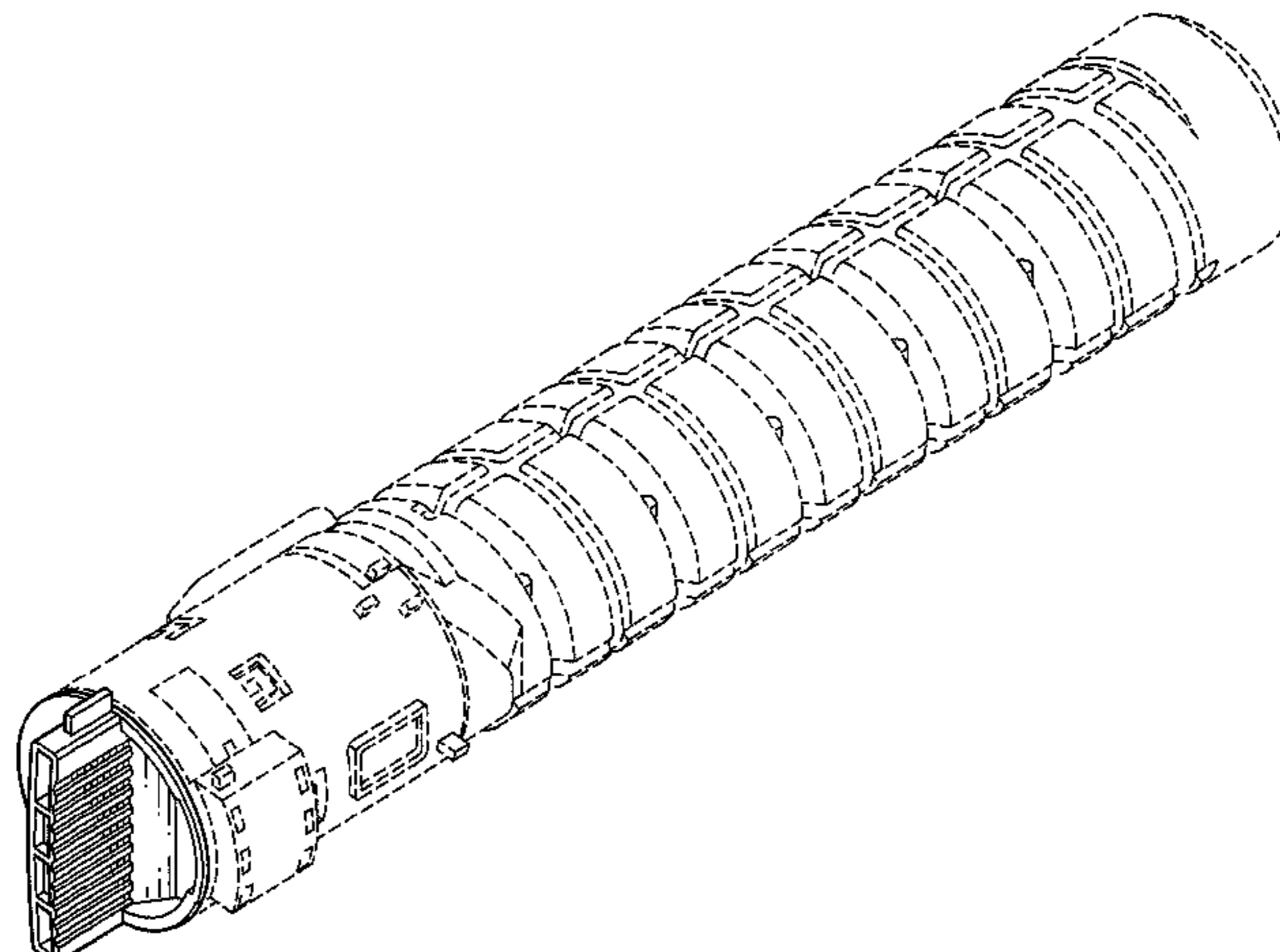
(57) **CLAIM**

The ornamental design for a toner cartridge, as shown and described.

**DESCRIPTION**

FIG. 1 is a front elevation view of a toner cartridge according to the present invention;  
FIG. 2 is a rear elevation view thereof;  
FIG. 3 is a right side elevation view thereof;  
FIG. 4 is a left side elevation view thereof;  
FIG. 5 is a top plan view thereof;  
FIG. 6 is a bottom plan view thereof; and,  
FIG. 7 is a top, front and left side perspective view thereof.  
The broken lines depict environmental subject matter only and form no part of the claimed design.

**1 Claim, 4 Drawing Sheets**



# US D622,312 S

Page 2

---

FOREIGN PATENT DOCUMENTS					
			JP	2008-292972 A	12/2008
			JP	2008-299229 A	12/2008
			JP	2009-9022 A	1/2009
			JP	2009-9023 A	1/2009
			JP	2009-15235 A	1/2009
			JP	2009-25724 A	2/2009
			JP	2009-37085 A	2/2009
			JP	2009-80190 A	4/2009
			JP	2009-86219 A	4/2009
			JP	2009-86220 A	4/2009
			JP	2009-92874 A	4/2009
			JP	2009-186554 A	8/2009
			JP	2009-186621 A	8/2009
			JP	2009-211038 A	9/2009
			* cited by examiner		
JP	2007-193289 A	8/2007			
JP	2007-292931 A	11/2007			
JP	2007-304496 A	11/2007			
JP	2007-334170 A	12/2007			
JP	2008-15112 A	1/2008			
JP	2008-33089 A	2/2008			
JP	2008-46240 A	2/2008			
JP	2008-90171 A	4/2008			
JP	2008-90188 A	4/2008			
JP	2008-129128 A	6/2008			
JP	2008-262016 A	10/2008			
JP	2008-275804 A	11/2008			
JP	2008-287214 A	11/2008			

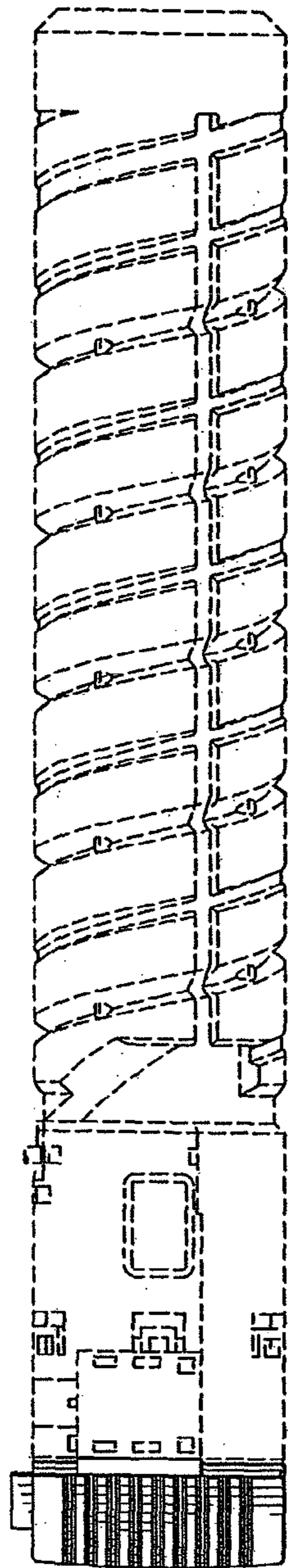


FIG. 1

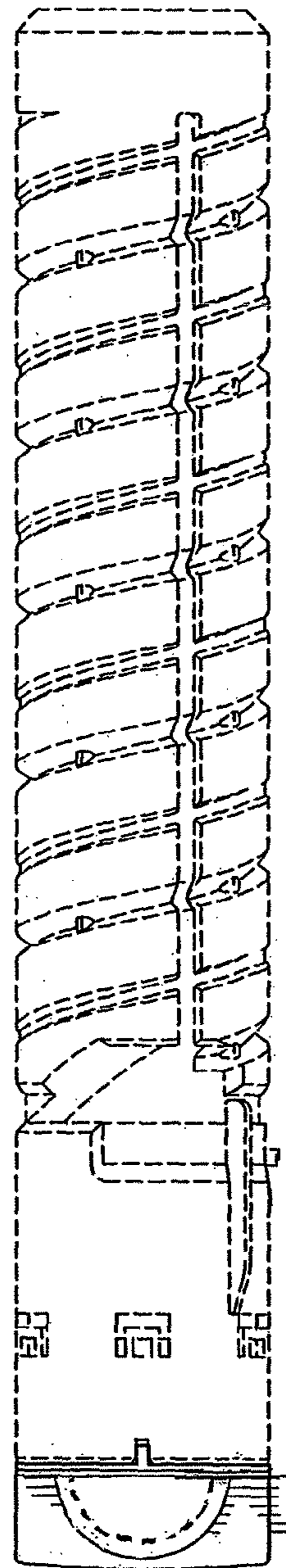


FIG. 2

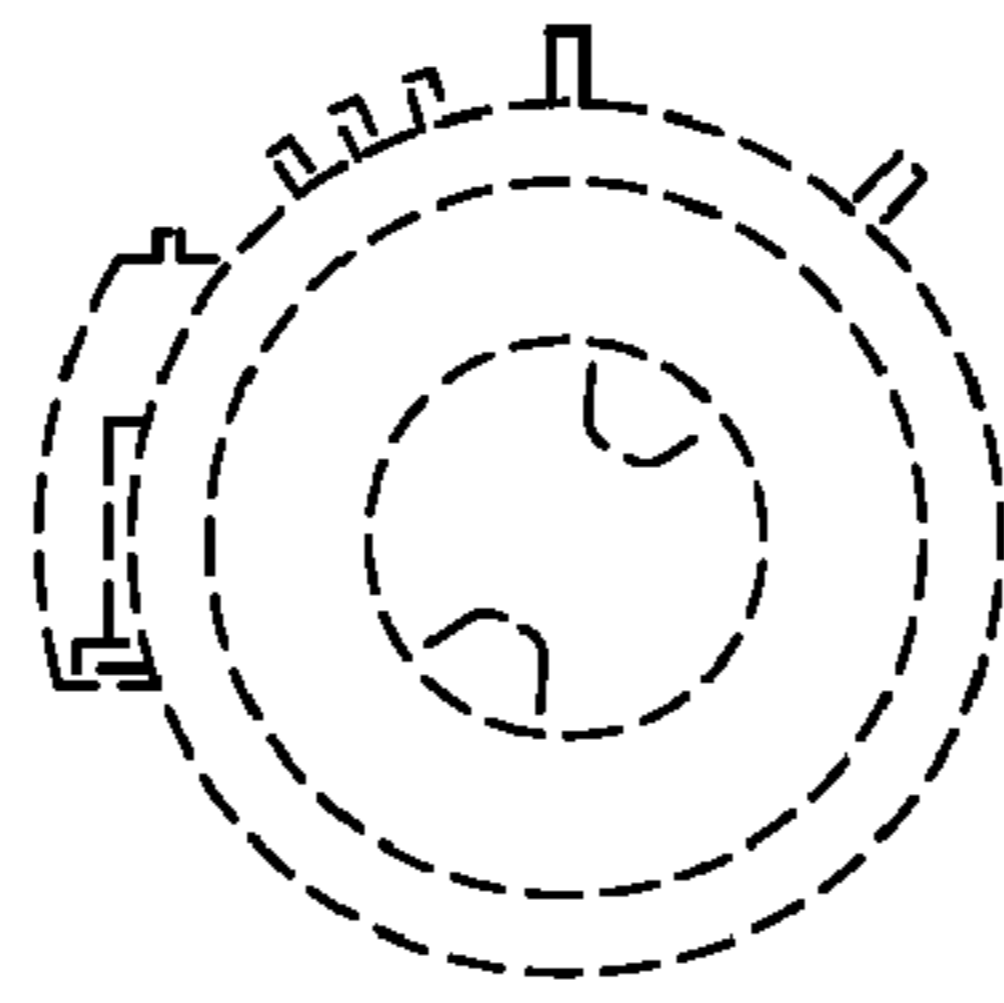


FIG. 3

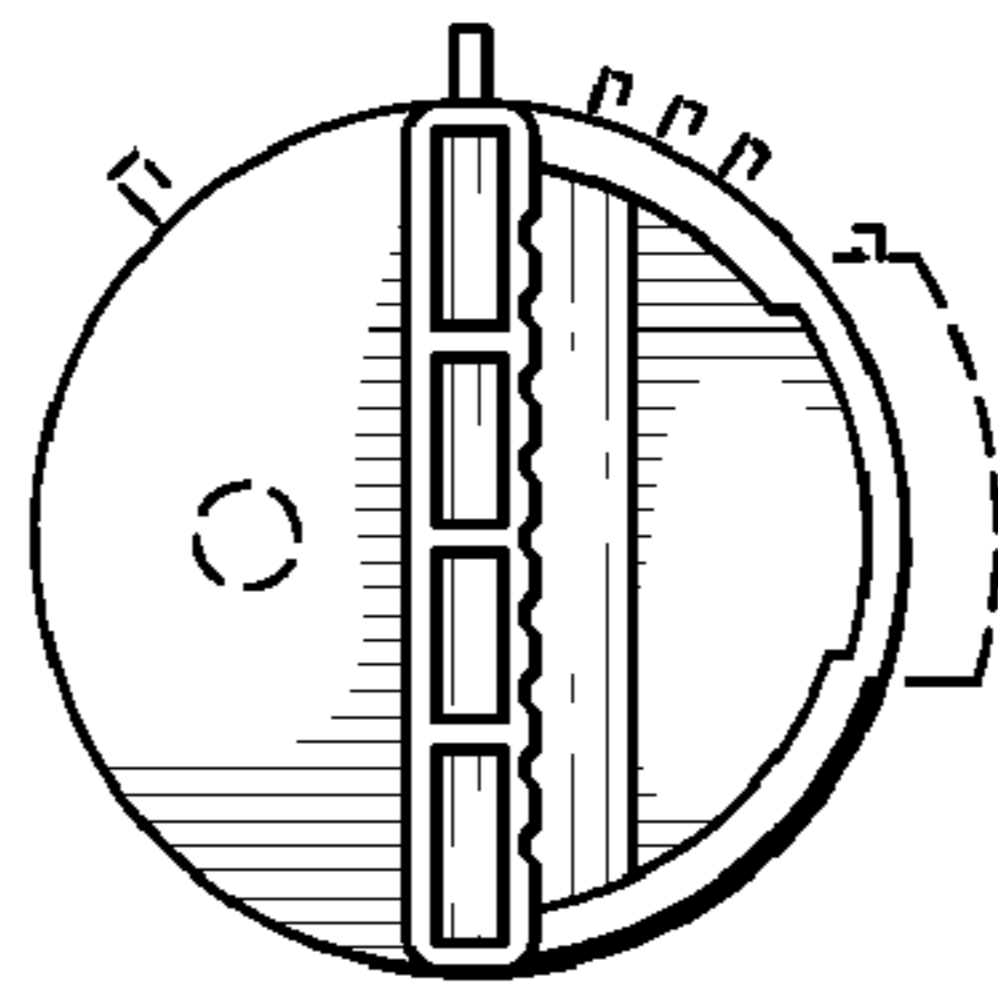


FIG. 4



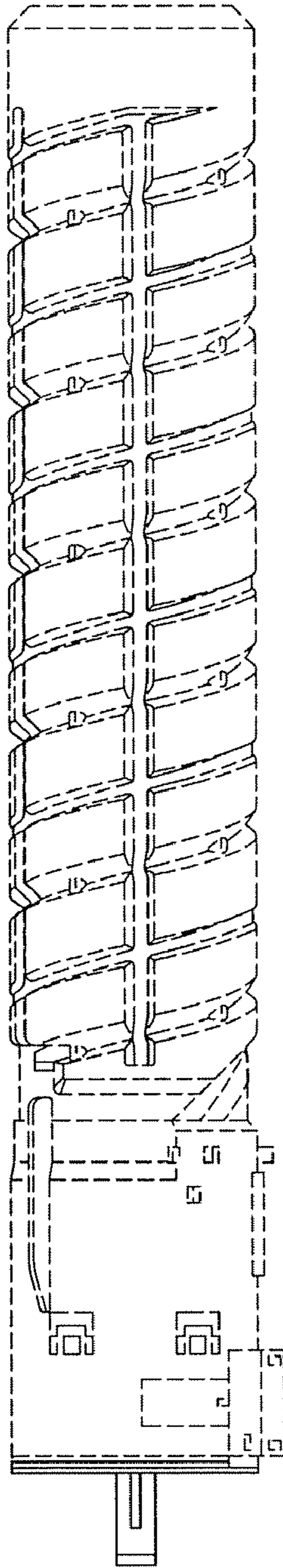


FIG. 5

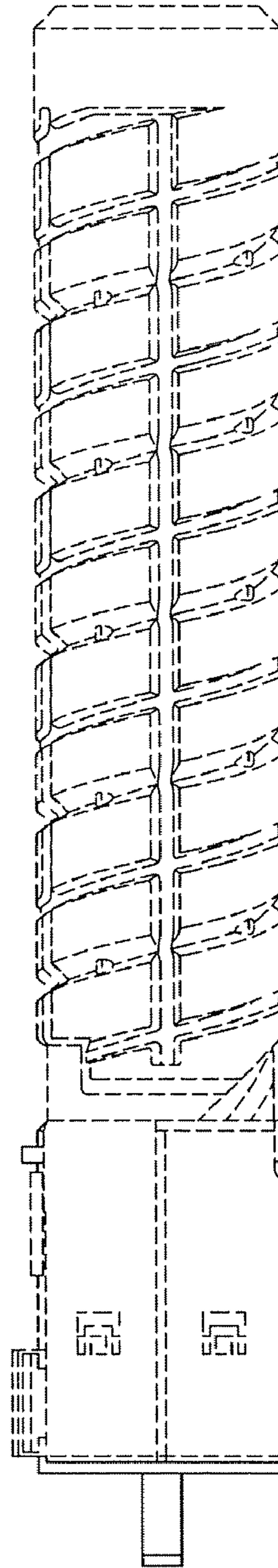


FIG. 6

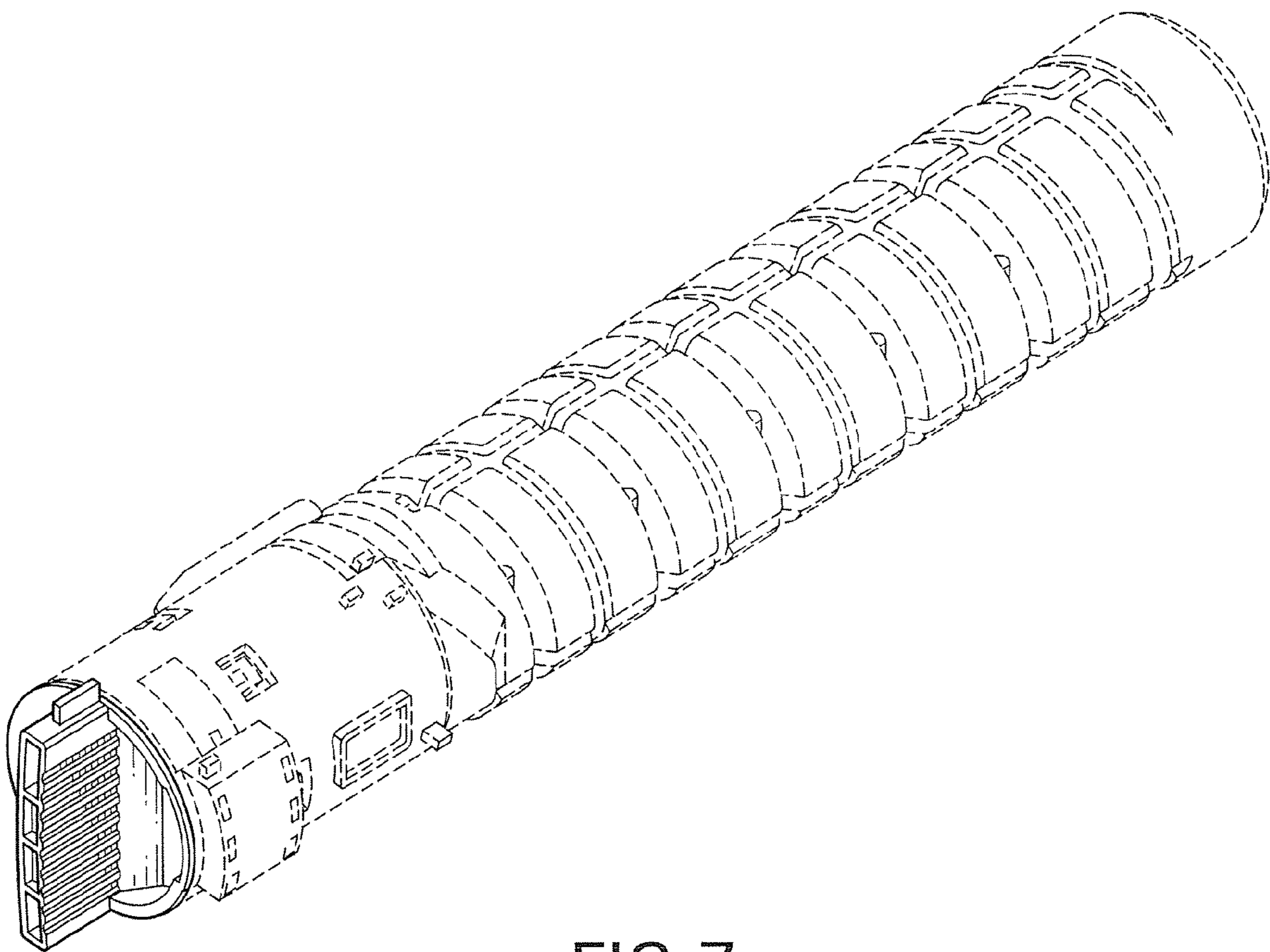


FIG. 7