

US00D622308S

(12) **United States Design Patent**
Kubota et al.

(10) **Patent No.:** **US D622,308 S**

(45) **Date of Patent:** **** Aug. 24, 2010**

(54) **PROCESS CARTRIDGE**

(75) Inventors: **Takeshi Kubota**, Mishima (JP);
Teruhiko Sasaki, Mishima (JP); **Fumito Nonaka**,
Mishima (JP); **Shunsuke Uratani**, Mishima (JP); **Tetsuo Uesugi**,
Mishima (JP); **Takuya Kawakami**, Numazu (JP); **Shigemi Kamoshida**,
Susono (JP); **Ryuta Murakami**, Shizuoka-ken (JP)

(73) Assignee: **Canon Kabushiki Kaisha**, Tokyo (JP)

(**) Term: **14 Years**

(21) Appl. No.: **29/328,039**

(22) Filed: **Nov. 18, 2008**

(51) **LOC (9) Cl.** **16-03**

(52) **U.S. Cl.** **D18/43**

(58) **Field of Classification Search** D14/471;
D18/12, 36, 40, 43, 44, 56; 222/DIG. 1;
347/197, 222; 399/24-28, 107-112, 119,
399/121, 122, 222-224

See application file for complete search history.

(56) **References Cited**

U.S. PATENT DOCUMENTS

D397,140 S *	8/1998	Oshida	D18/40
D462,984 S	9/2002	Hayashi et al.	D18/40
D474,804 S	5/2003	Kubota et al.	D18/40
D475,082 S	5/2003	Kubota et al.	D18/40
D500,335 S *	12/2004	Karakama et al.	D18/40
D501,021 S *	1/2005	Saiki et al.	D18/40

D501,022 S *	1/2005	Saiki et al.	D18/40
7,024,131 B2 *	4/2006	Komatsu et al.	399/109
D524,359 S *	7/2006	Karakama et al.	D18/40
D555,717 S	11/2007	Batori et al.	D18/43
D565,094 S	3/2008	Sasaki et al.	D18/43
D583,860 S *	12/2008	Kubota et al.	D18/43
D585,482 S *	1/2009	Kubota et al.	D18/43
D600,276 S *	9/2009	Noh et al.	D18/43

* cited by examiner

Primary Examiner—Garth Rademaker

(74) *Attorney, Agent, or Firm*—Fitzpatrick, Cella, Harper & Scinto

(57) **CLAIM**

The ornamental design for a process cartridge, as shown and described.

DESCRIPTION

FIG. 1 is a front view of a process cartridge showing our new design;

FIG. 2 is a rear view thereof;

FIG. 3 is a top plan view thereof;

FIG. 4 is a bottom plan view thereof;

FIG. 5 is a left side view thereof;

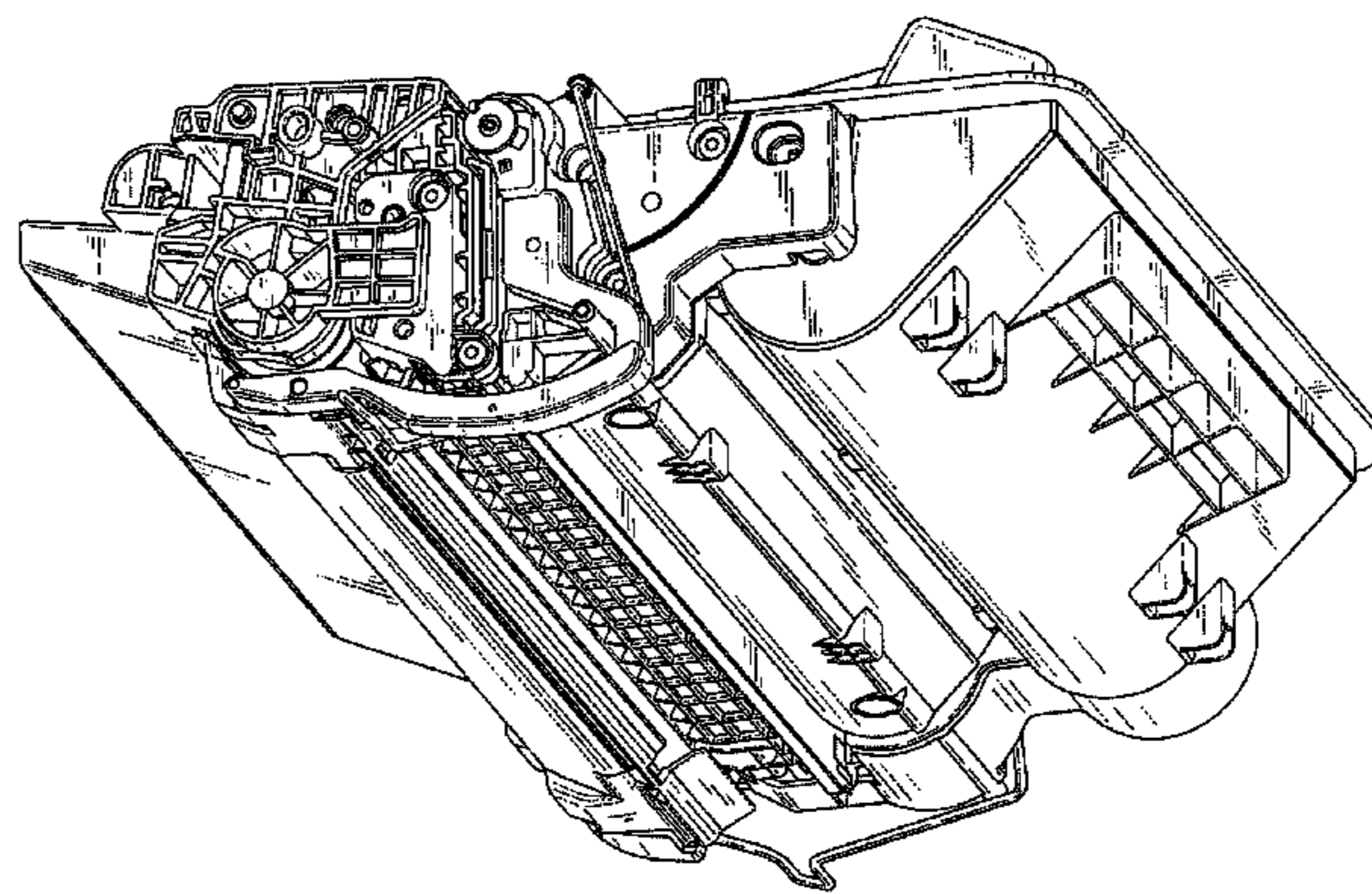
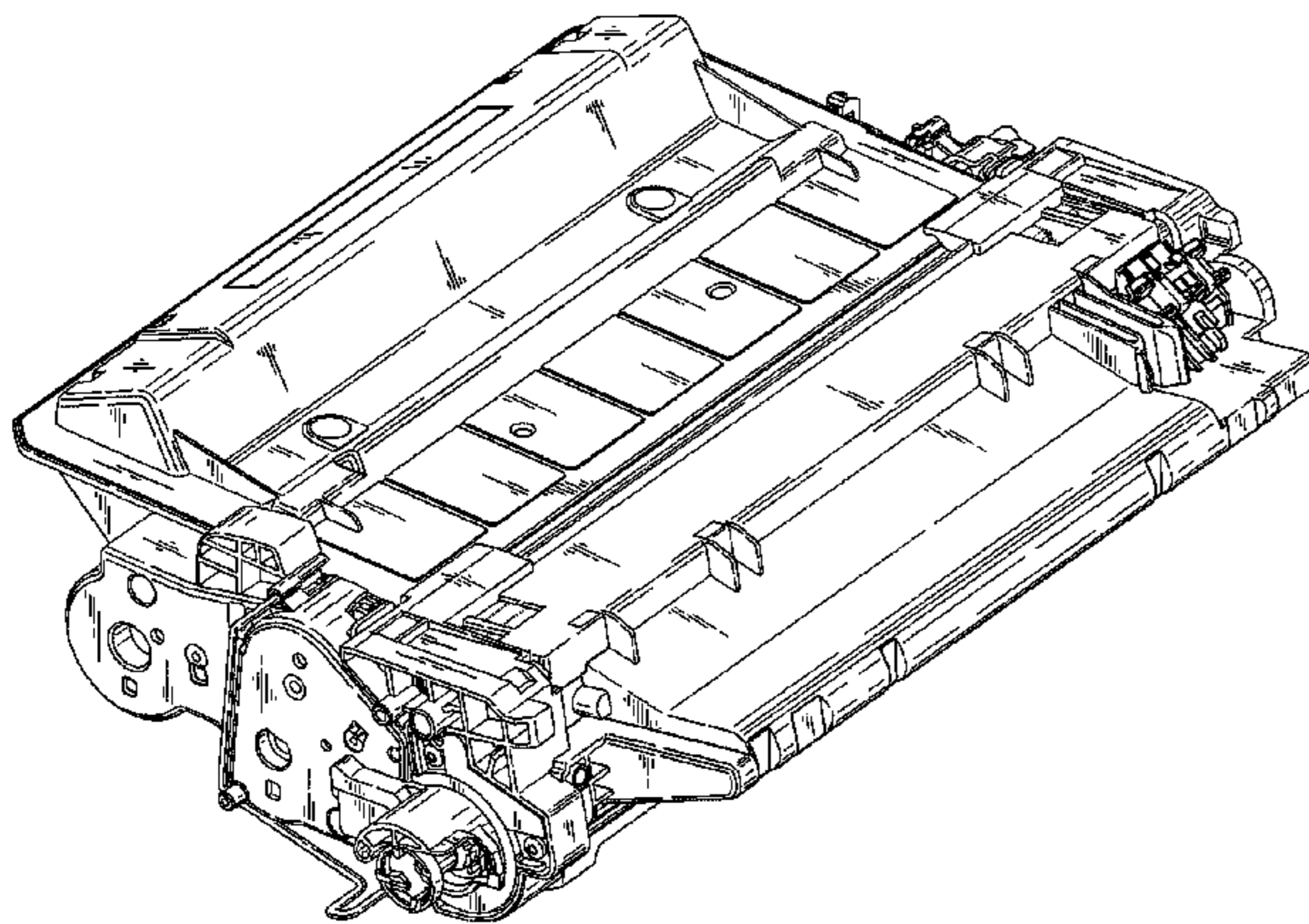
FIG. 6 is a right side view thereof;

FIG. 7 is a front, top, left side perspective view thereof; and,

FIG. 8 is a rear, bottom, right side perspective view thereof.

The broken lines depict environmental subject matter only and form no part of the claimed design.

1 Claim, 6 Drawing Sheets



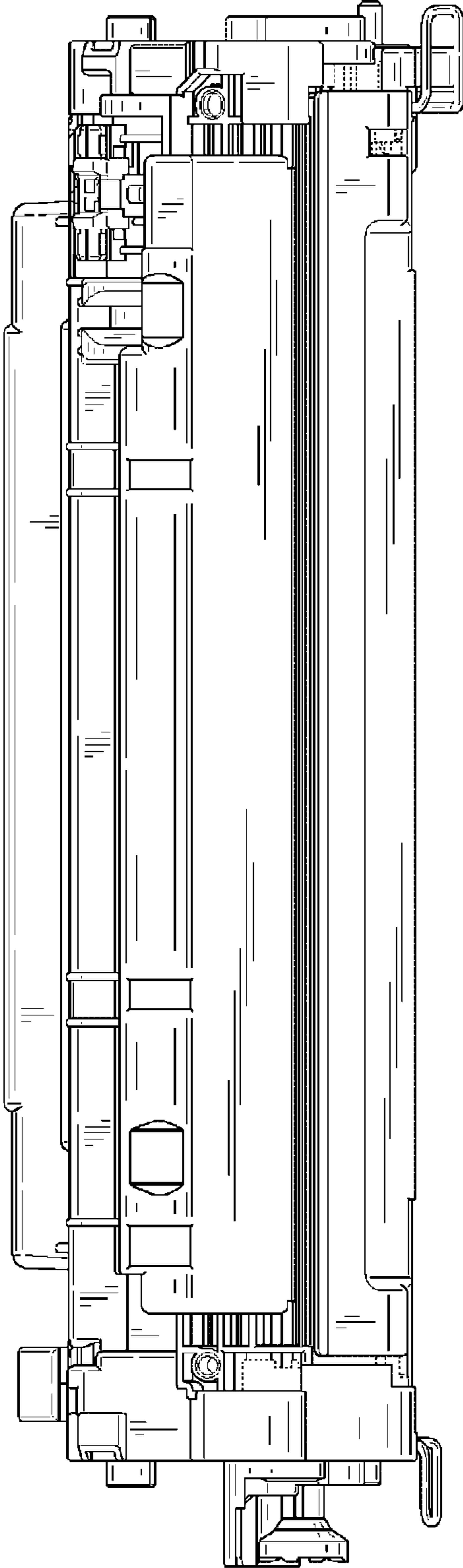


FIG. 1

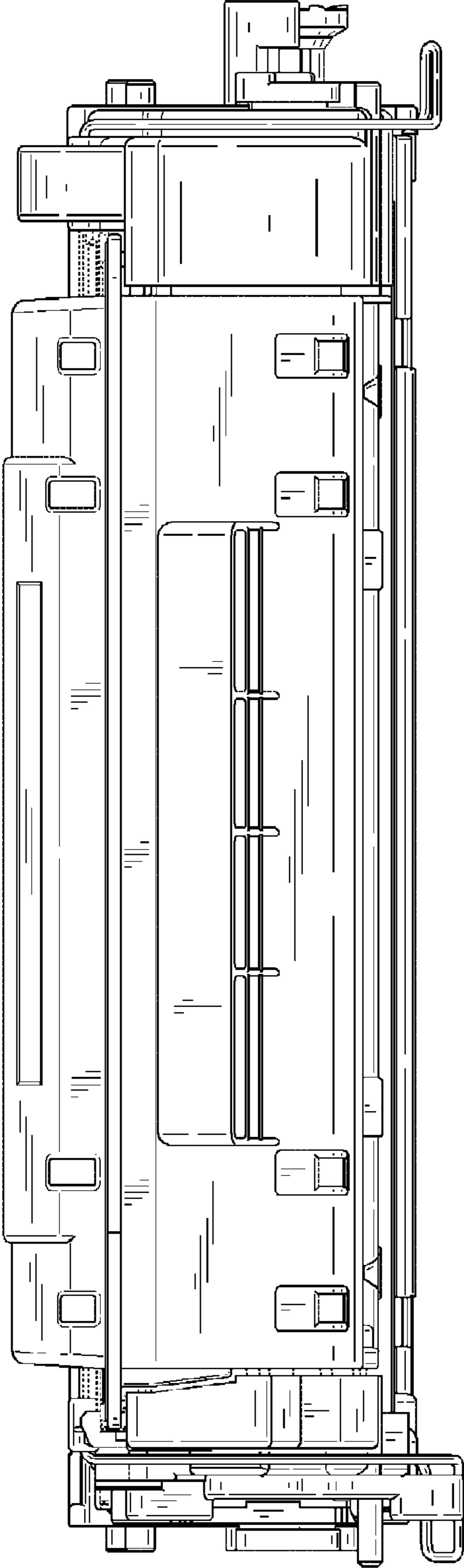


FIG. 2

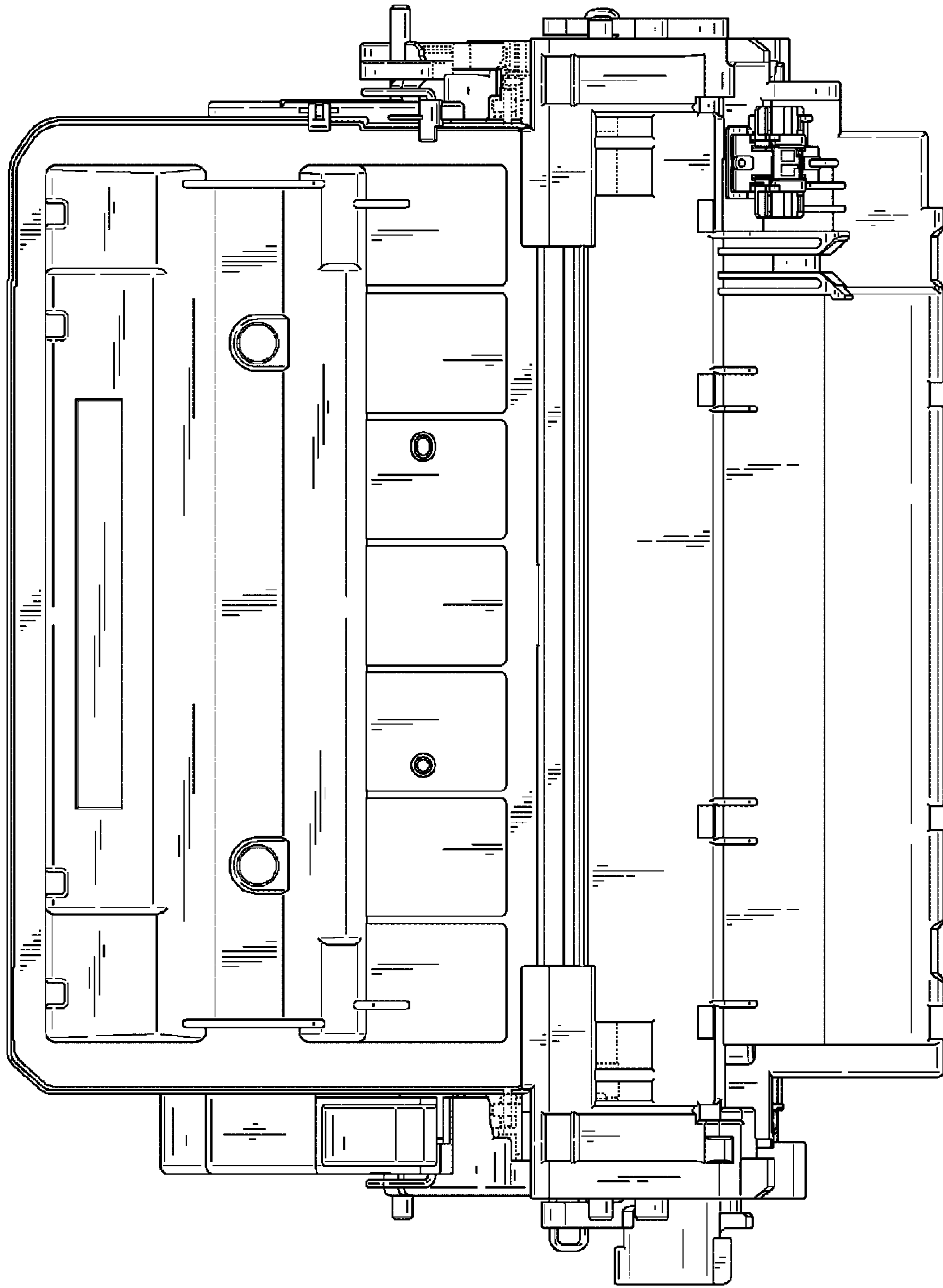


FIG. 3

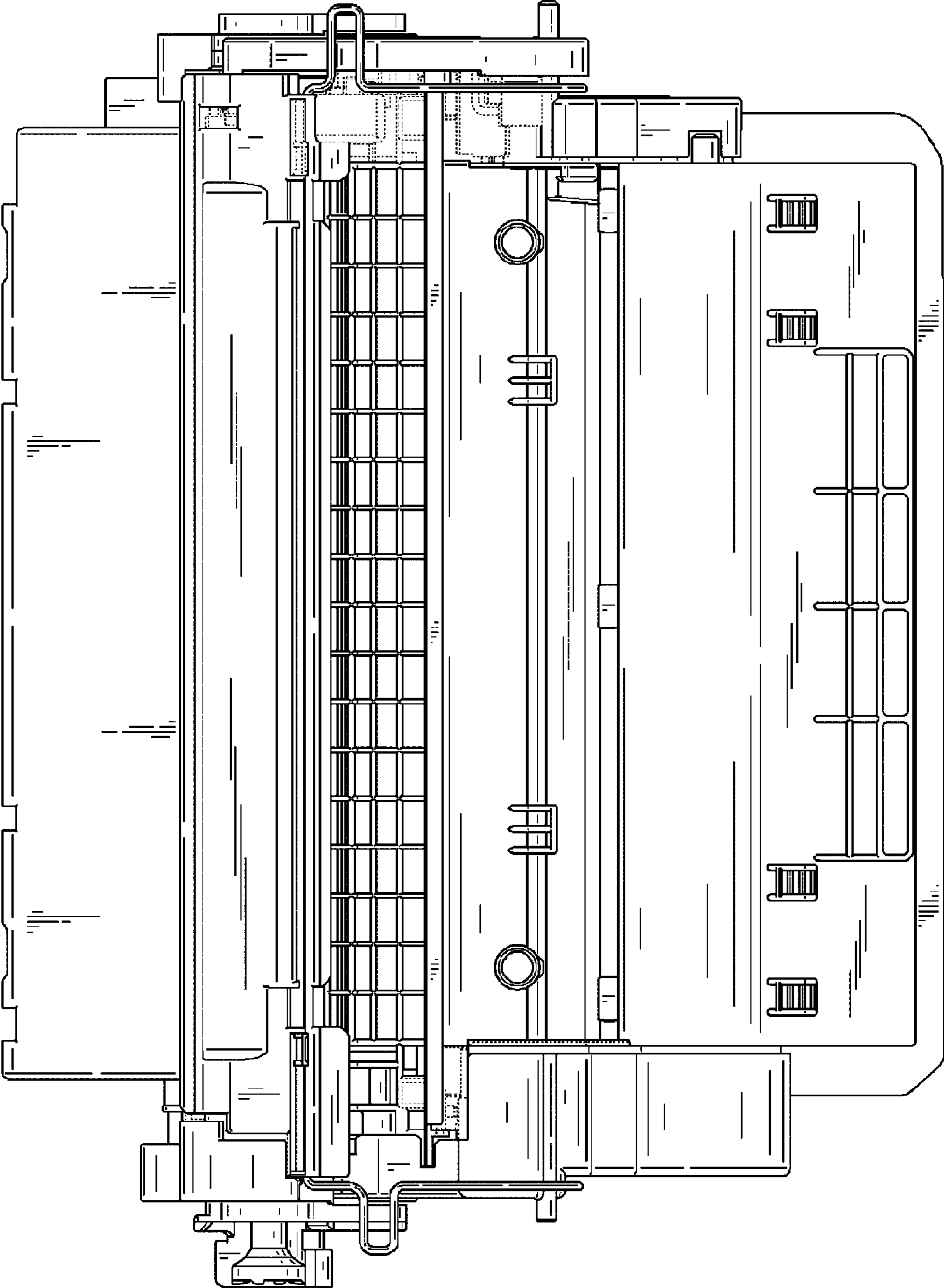


FIG. 4

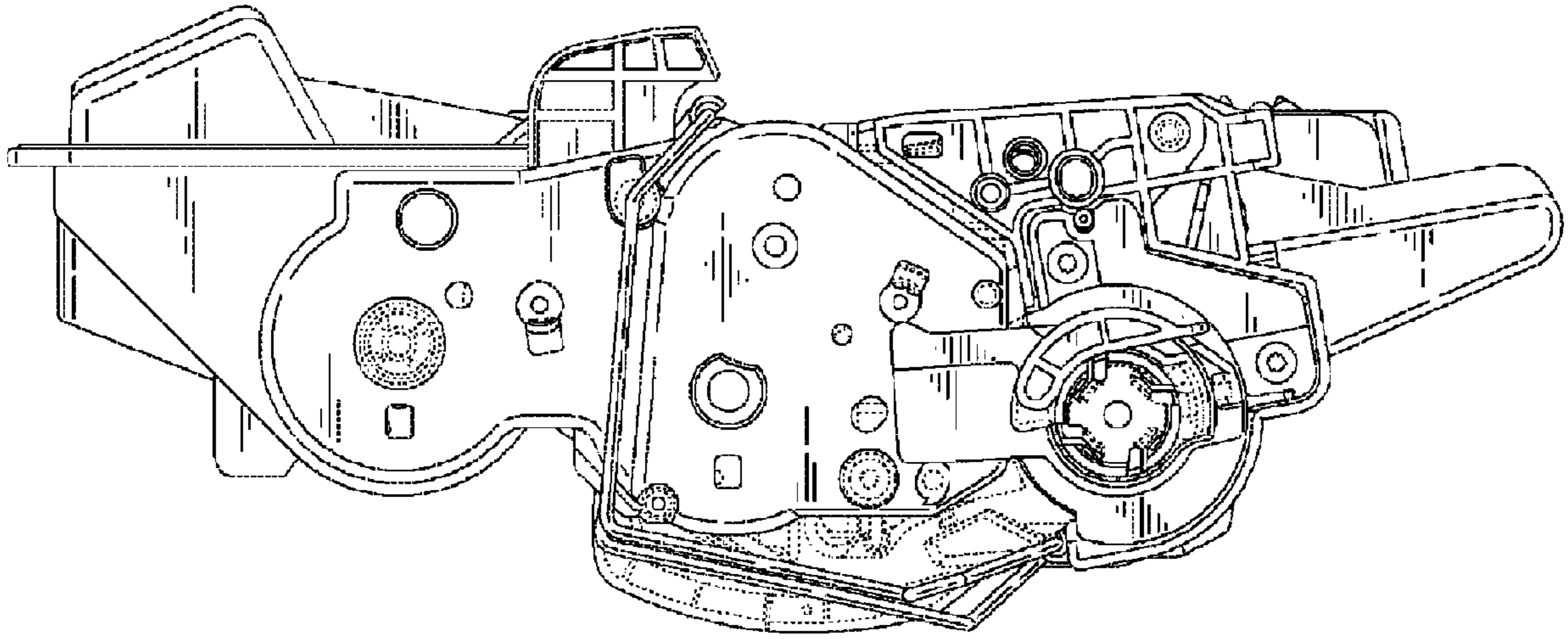


FIG. 5

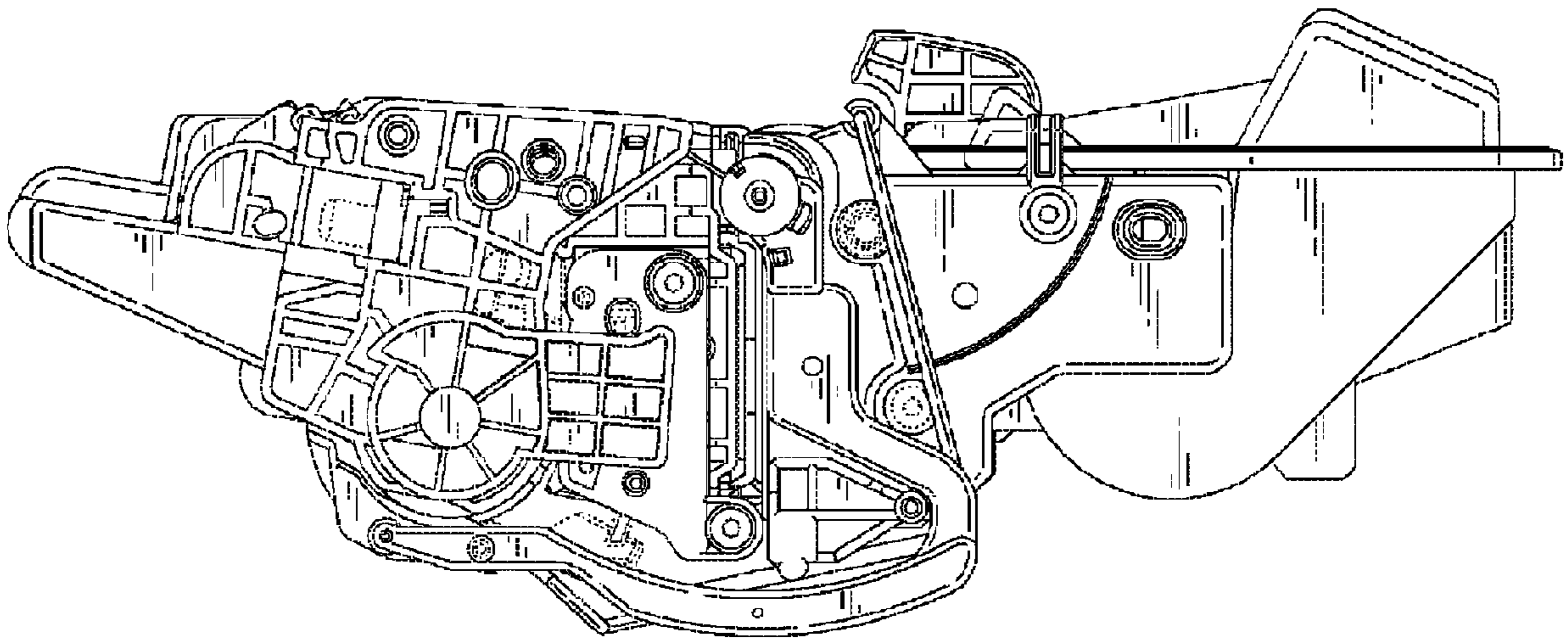


FIG. 6

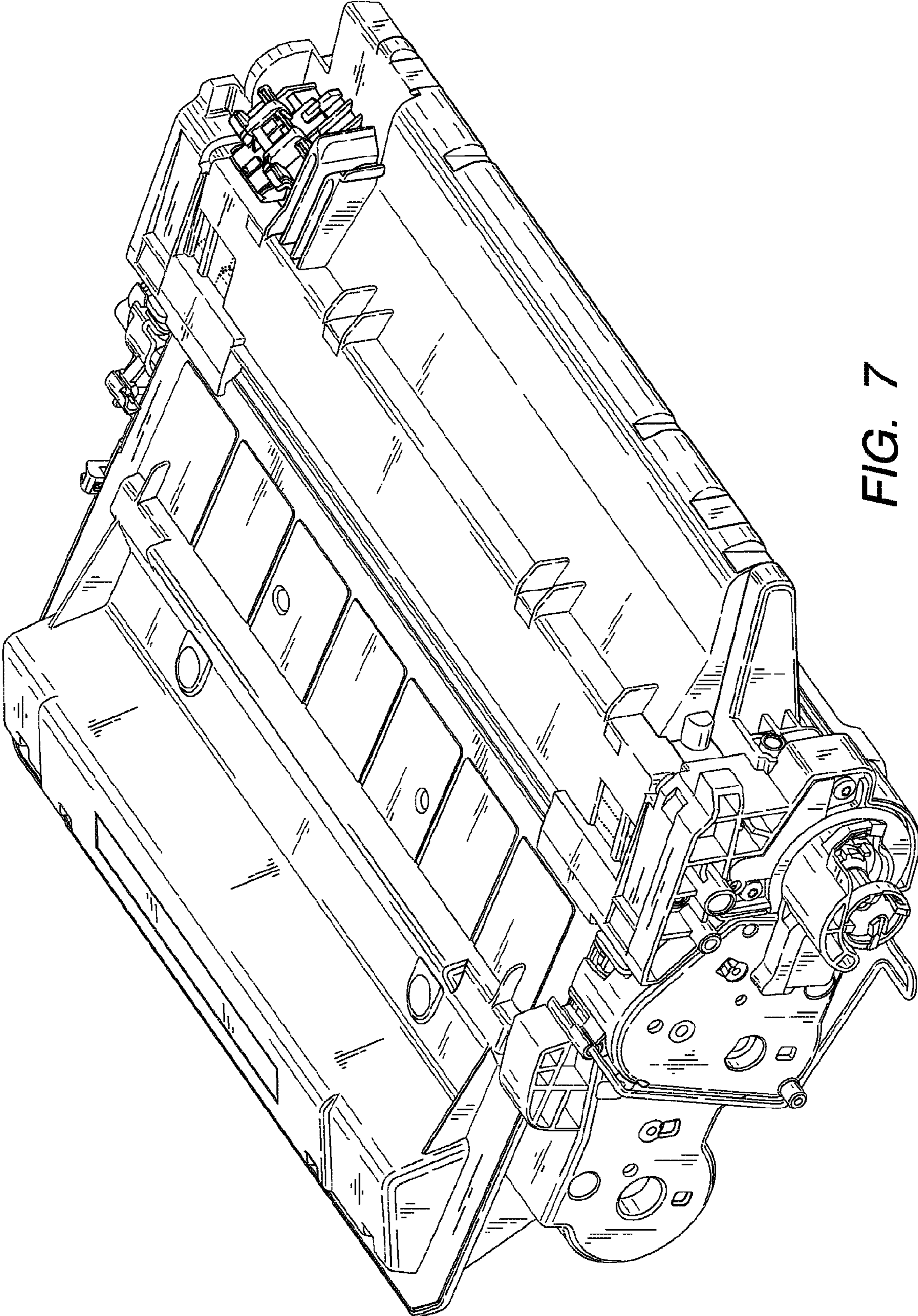


FIG. 7

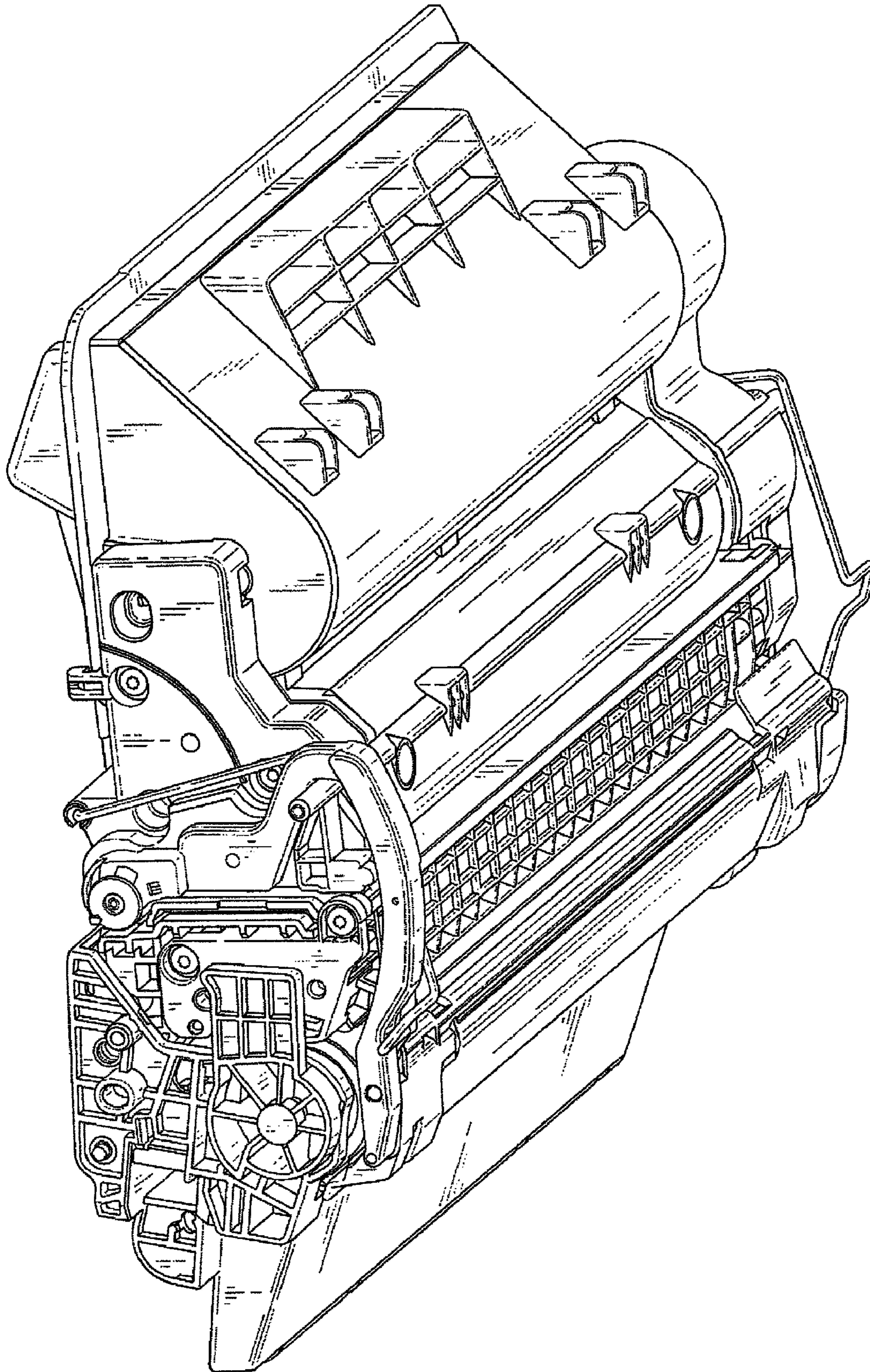


FIG. 8