

US00D622307S

(12) **United States Design Patent**
Brown et al.

(10) **Patent No.:** **US D622,307 S**

(45) **Date of Patent:** **** Aug. 24, 2010**

(54) **OFFICE MACHINE**

(75) Inventors: **Donald A Brown**, Honeoye Falls, NY
(US); **Hiroshi Nakada**, Kanagawa (JP)

(73) Assignee: **Xerox Corporation**, Norwalk, CT (US)

(**) Term: **14 Years**

(21) Appl. No.: **29/327,352**

(22) Filed: **Nov. 4, 2008**

(51) **LOC (9) Cl.** **16-03**

(52) **U.S. Cl.** **D18/39**

(58) **Field of Classification Search** D18/36-41,
D18/44-56; 222/DIG. 1; 271/3.14, 8.1,
271/226, 278; 355/97, 98; 358/1.1; 399/1-7,
399/16, 75, 81, 107, 130, 155, 361, 365,
399/381-383, 388

See application file for complete search history.

(56) **References Cited**

U.S. PATENT DOCUMENTS

D359,066 S *	6/1995	Kondo et al.	D18/39
D430,596 S *	9/2000	Shiozaki et al.	D18/54
D431,592 S *	10/2000	Takenouchi et al.	D18/39
D443,635 S *	6/2001	Ogawa et al.	D18/39
D458,958 S *	6/2002	Agata	D18/39
D493,817 S *	8/2004	Yoshida et al.	D18/39
D502,210 S *	2/2005	Katori et al.	D18/39

D512,421 S *	12/2005	Brown et al.	D14/341
D535,686 S *	1/2007	Ishio	D18/39
D573,177 S *	7/2008	Isogai et al.	D18/39
2003/0039481 A1 *	2/2003	Suzuki	399/81
2009/0136255 A1 *	5/2009	Takuwa	399/107

* cited by examiner

Primary Examiner—Garth Rademaker

(74) *Attorney, Agent, or Firm*—Tallam I. Nguti

(57) **CLAIM**

The ornamental design for an office machine, as shown and described.

DESCRIPTION

FIG. 1 is a perspective view of an office machine showing the ornamental design in accordance with the present invention;

FIG. 2 is a front view thereof;

FIG. 3 is a right side view thereof;

FIG. 4 is a rear view thereof;

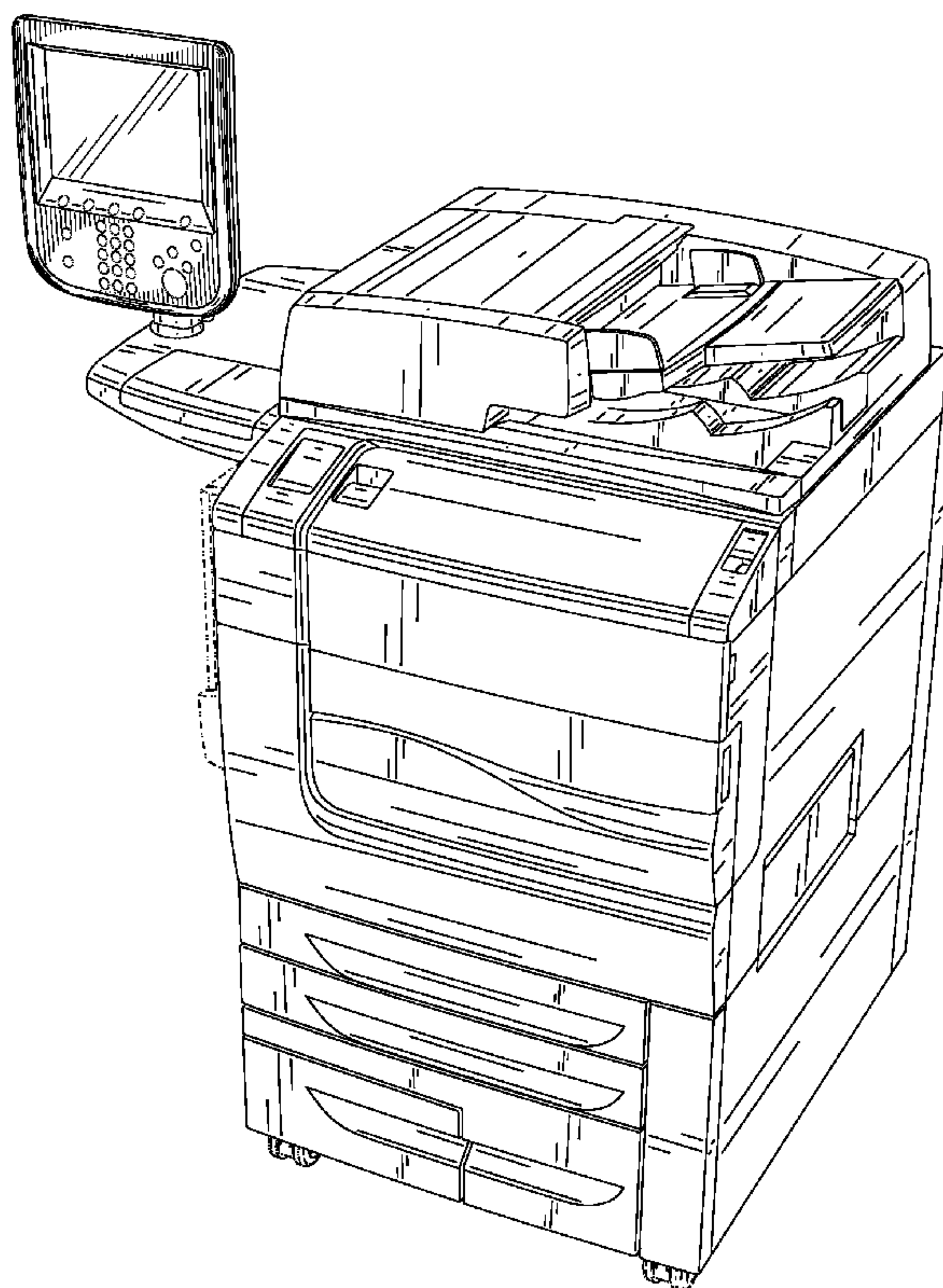
FIG. 5 is a left side view thereof;

FIG. 6 is a top plan view thereof; and,

FIG. 7 is a bottom plan view thereof.

The broken lines shown depict environmental subject matter only and form no part of the claimed design.

1 Claim, 7 Drawing Sheets



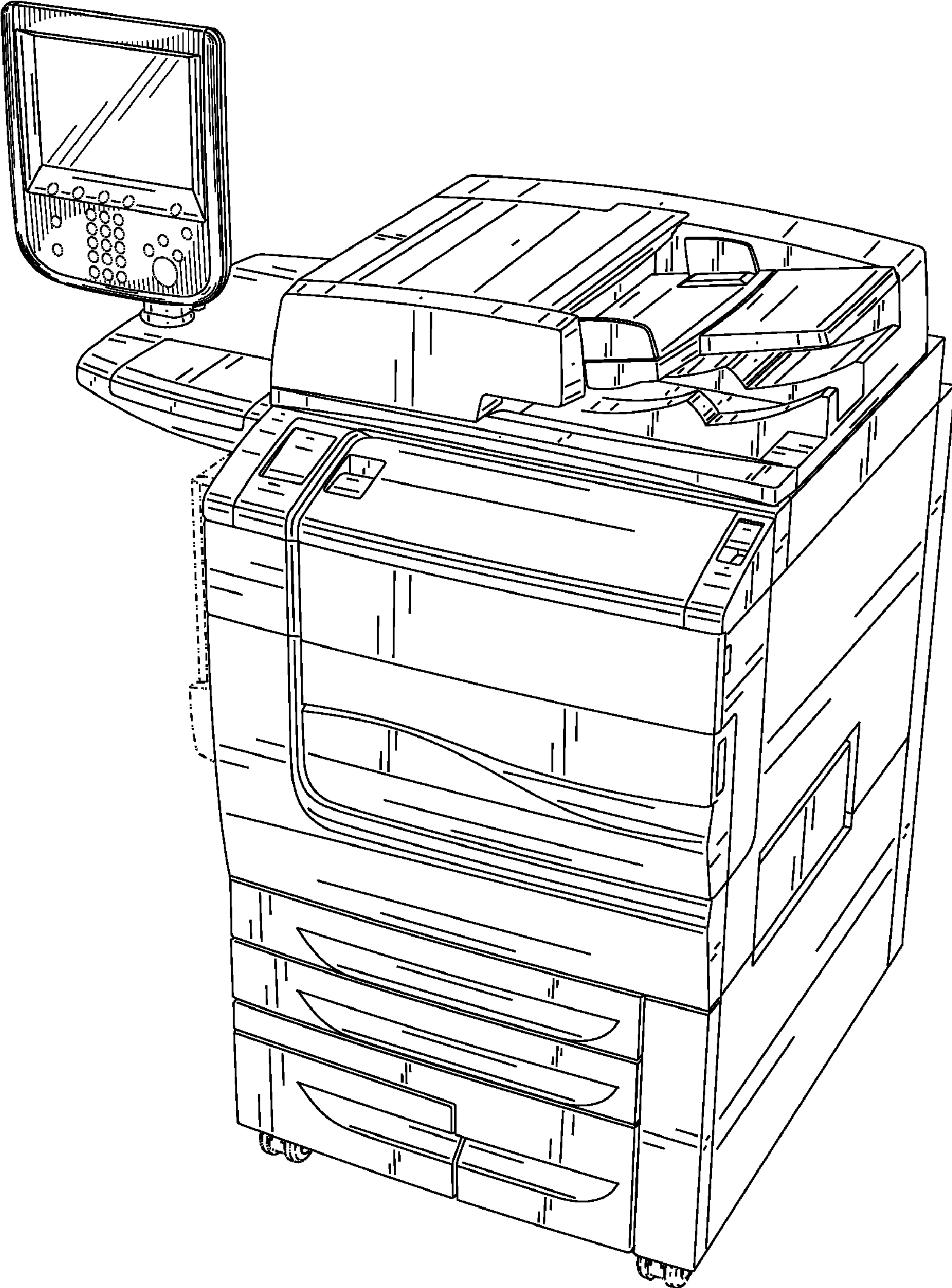


FIG. 1

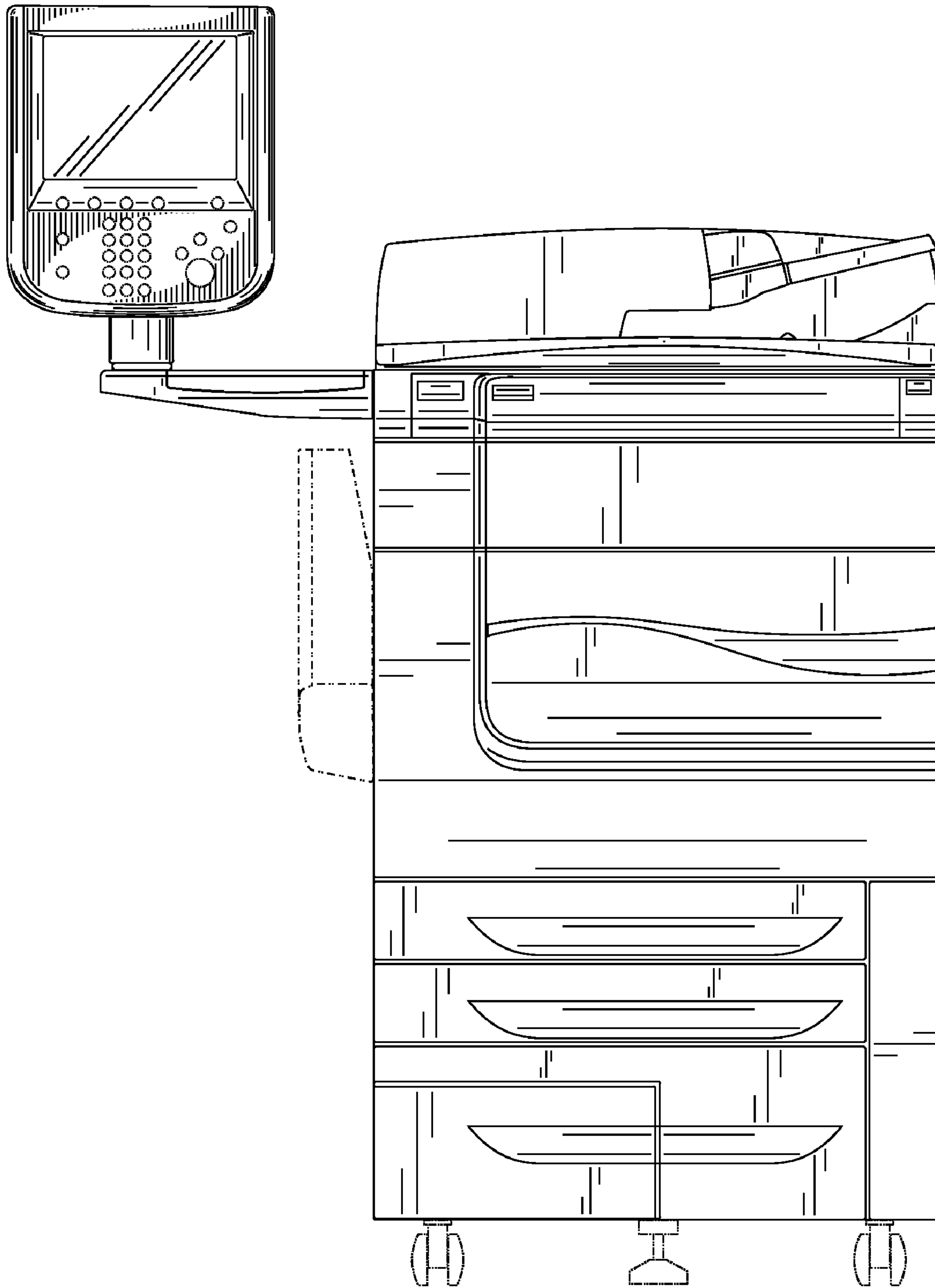


FIG. 2

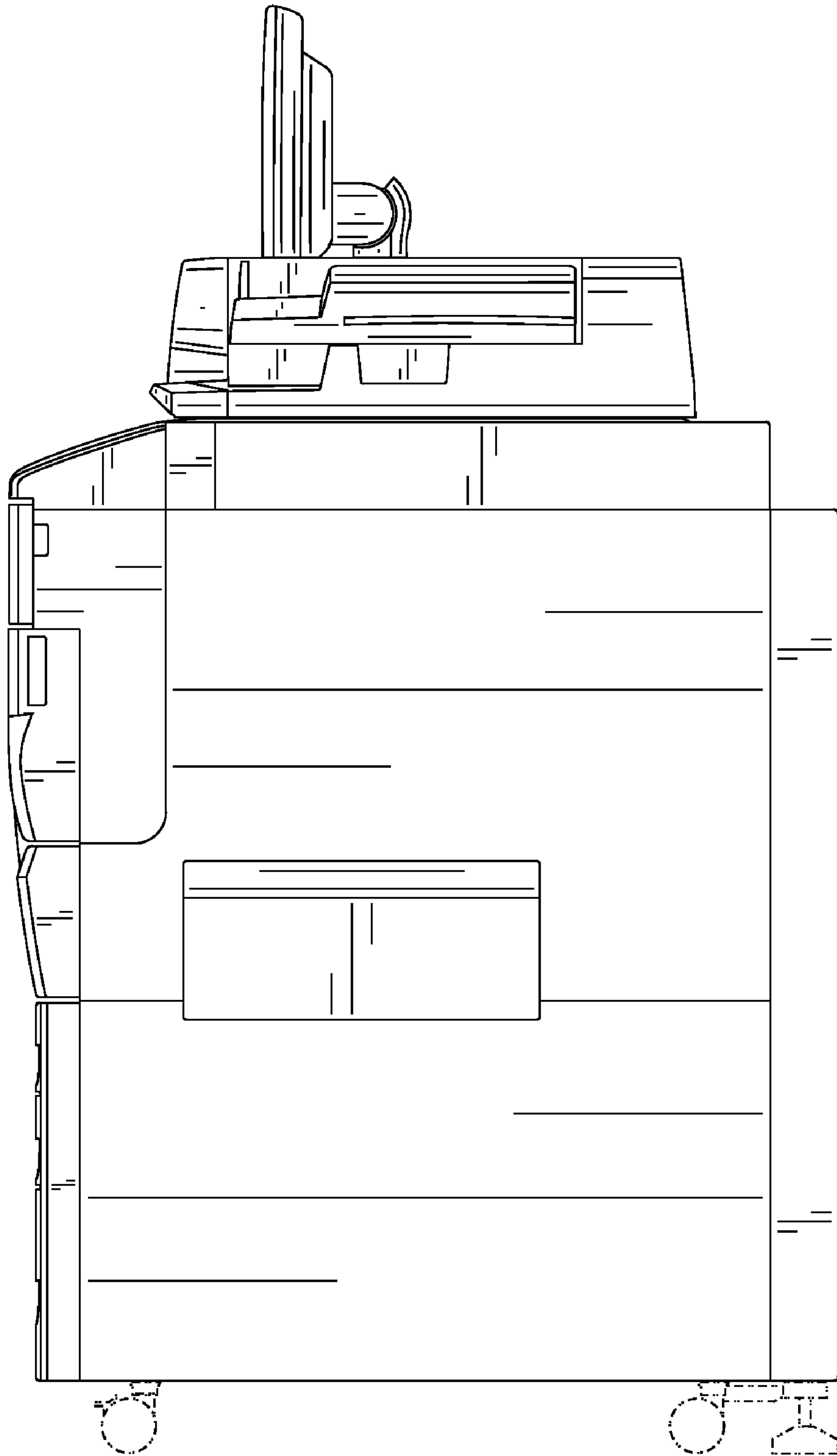


FIG. 3

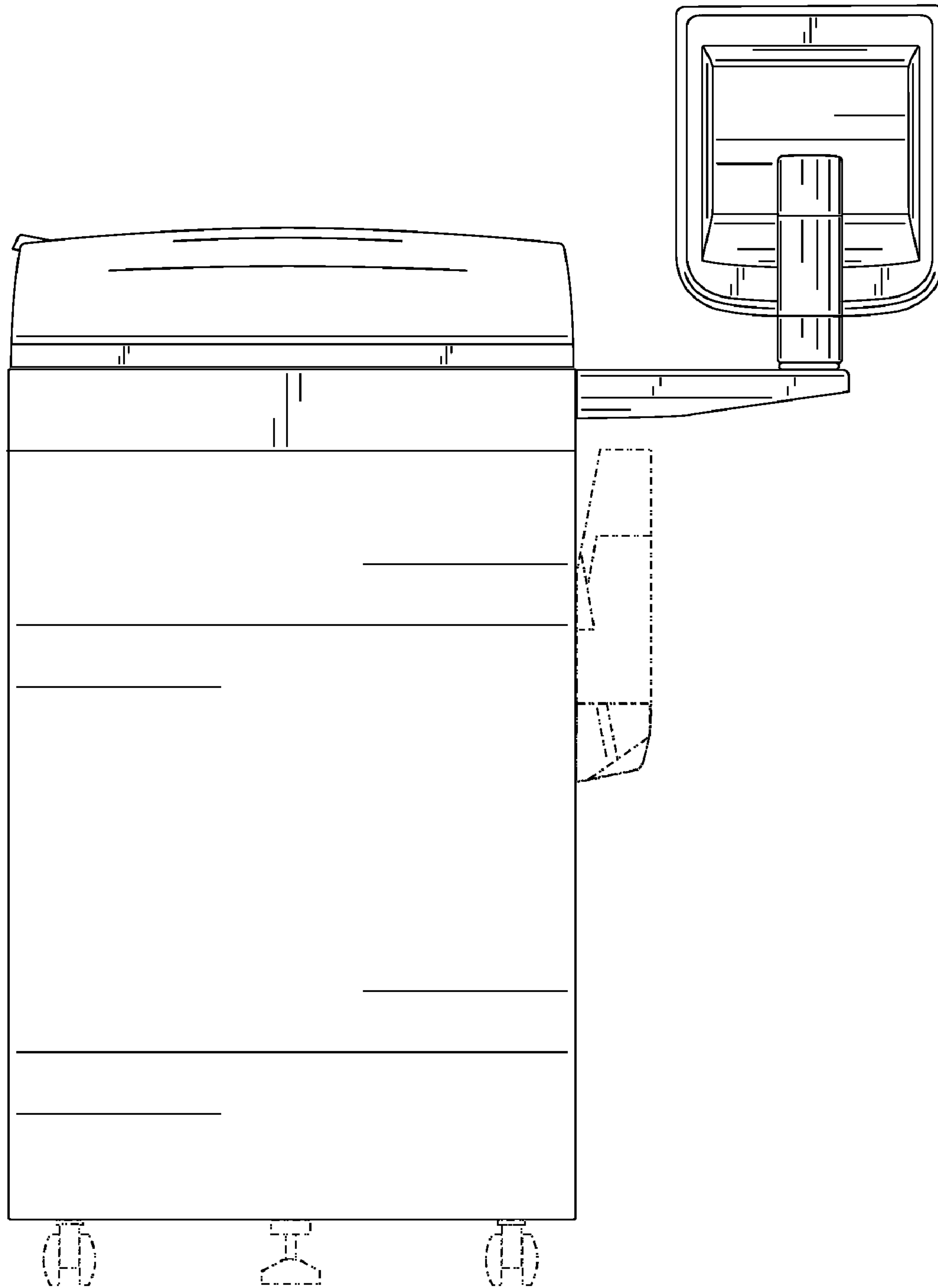


FIG. 4

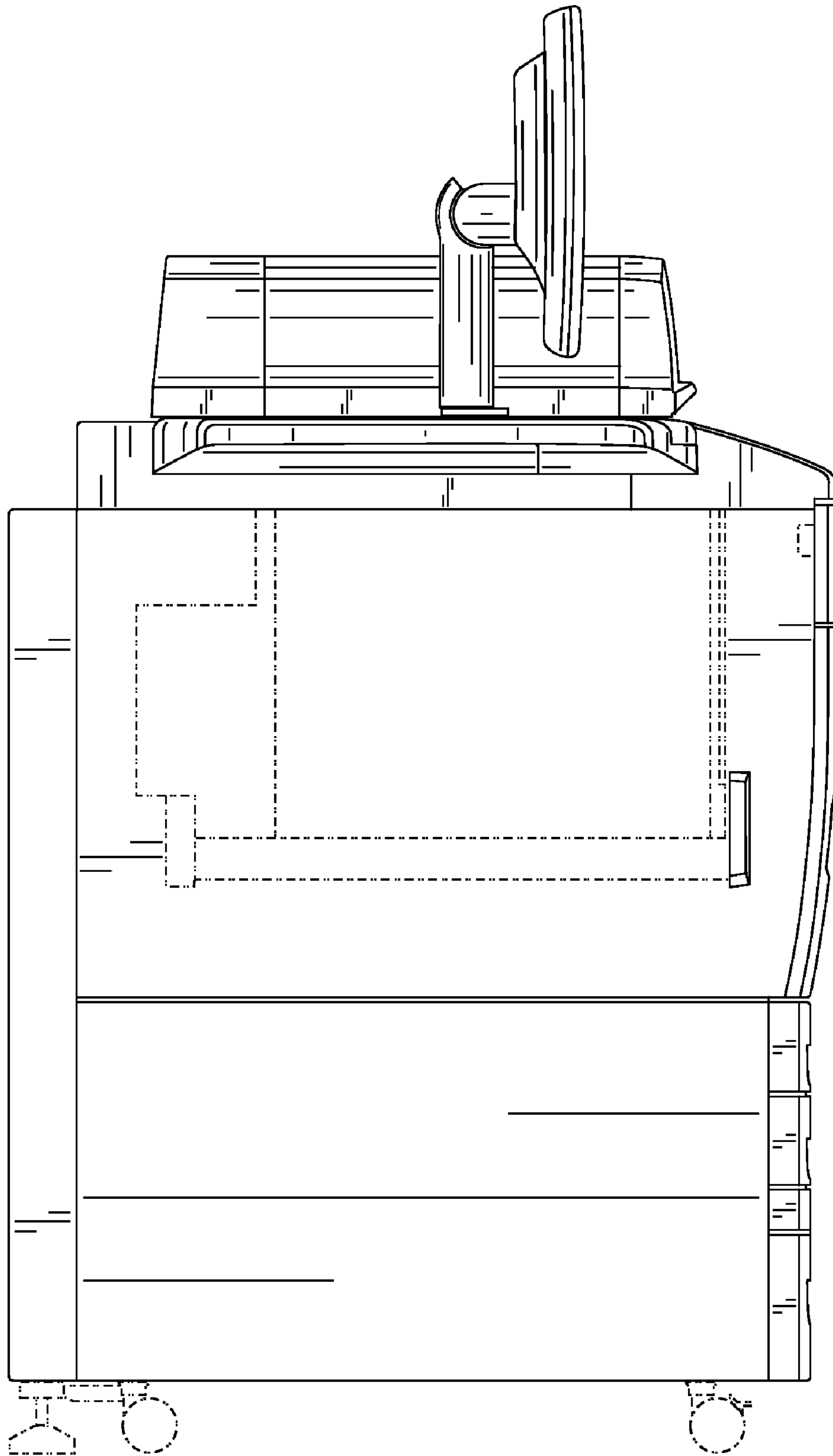


FIG. 5

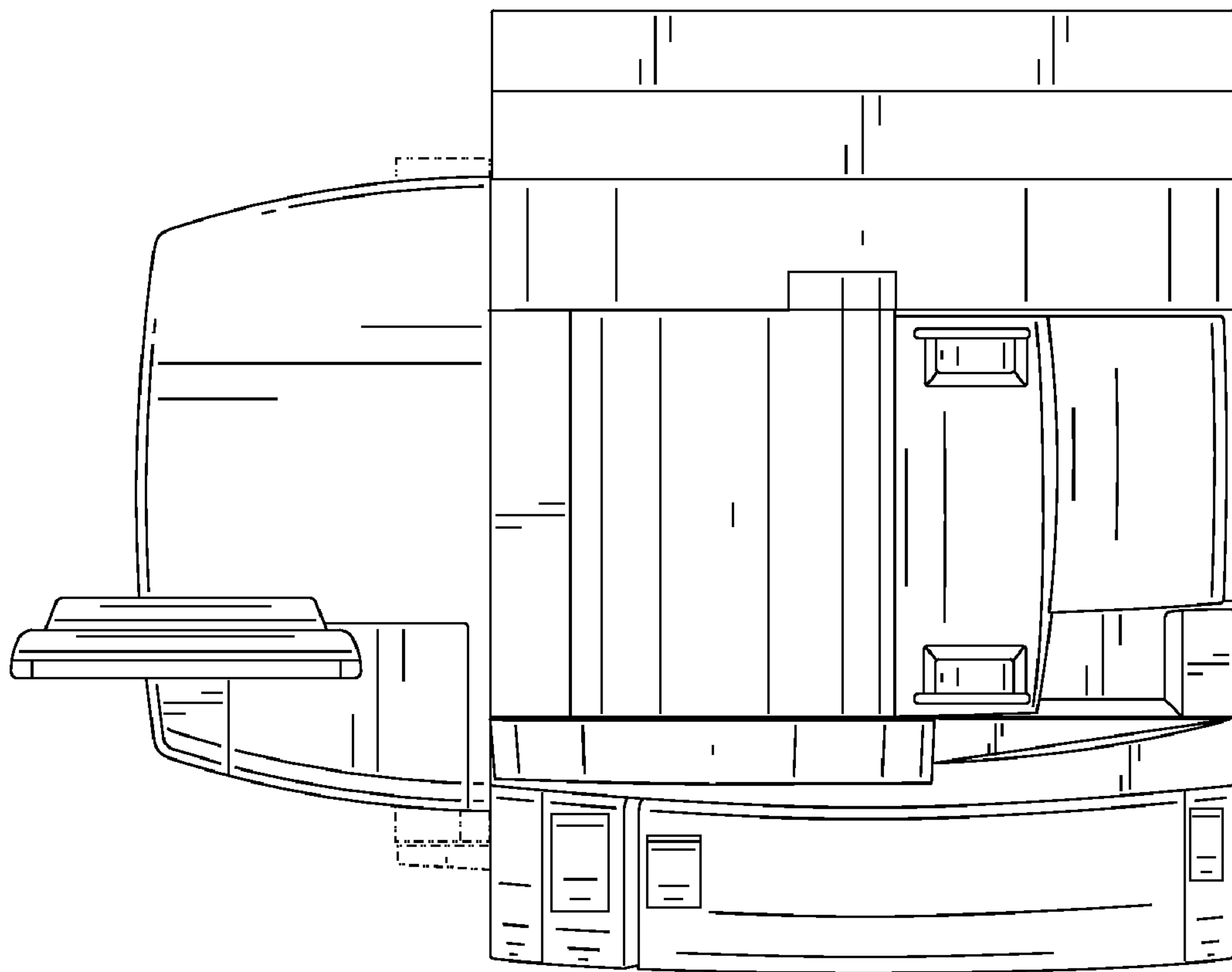


FIG. 6

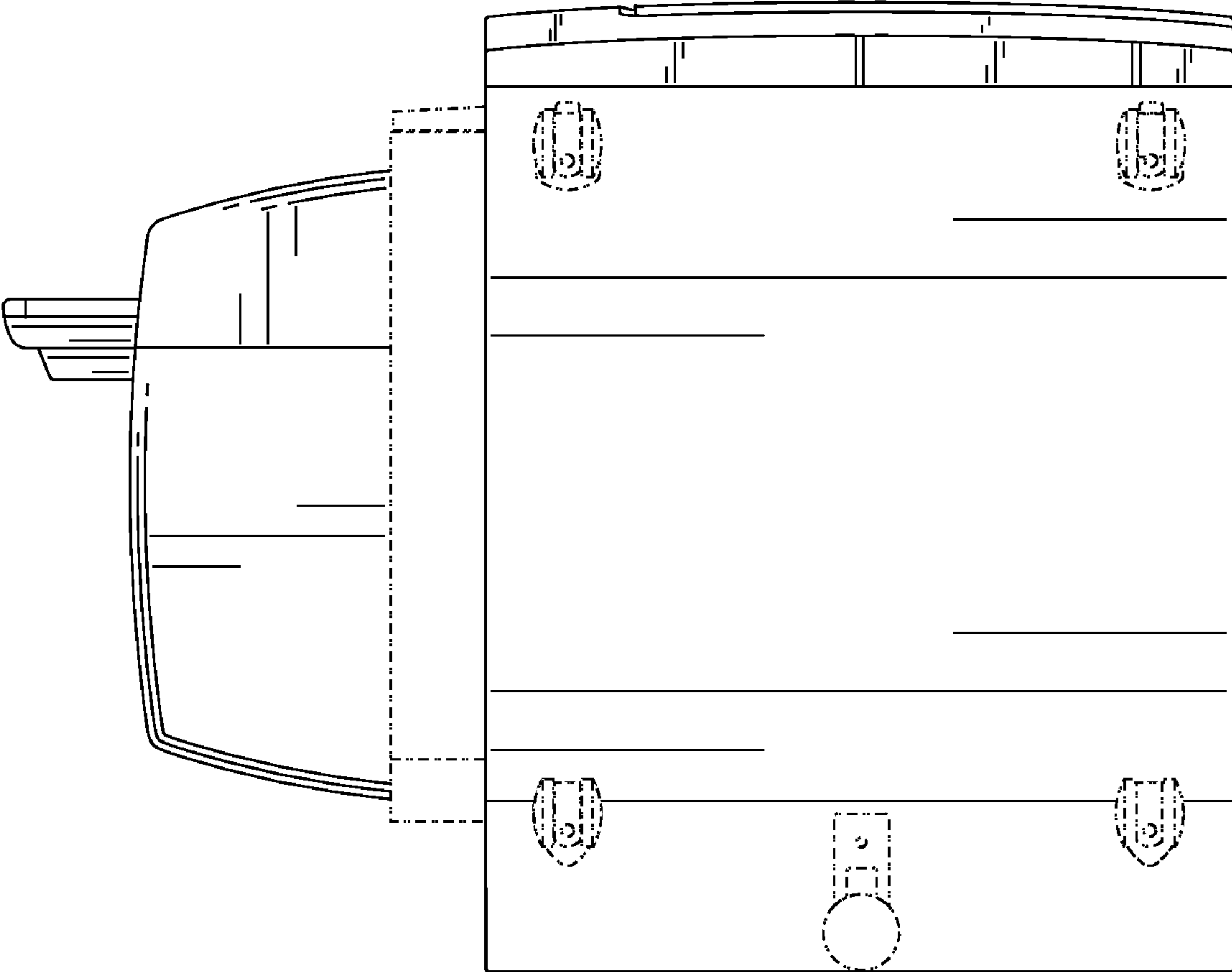


FIG. 7

UNITED STATES PATENT AND TRADEMARK OFFICE
CERTIFICATE OF CORRECTION

PATENT NO. : D622,307 S
APPLICATION NO. : 29/327352
DATED : August 24, 2010
INVENTOR(S) : Donald A. Brown et al.

Page 1 of 1

It is certified that error appears in the above-identified patent and that said Letters Patent is hereby corrected as shown below:

Title Page, (73) Assignee: delete "XEROX CORPORATION, Norwalk, CT (US)" and insert -- FUJI XEROX CO., LTD. TOKYO, JAPAN (JP) --.

Signed and Sealed this
Eighteenth Day of January, 2011

A handwritten signature in black ink that reads "David J. Kappos". The signature is written in a cursive, slightly slanted style.

David J. Kappos
Director of the United States Patent and Trademark Office