



US00D622300S

(12) **United States Design Patent**
Endo et al.

(10) **Patent No.:** **US D622,300 S**

(45) **Date of Patent:** **** Aug. 24, 2010**

(54) **TELEVISION CAMERA**

(75) Inventors: **Hidetoshi Endo**, Tokyo (JP); **Tetsuharu Tokeshi**, Tokyo (JP); **Naokazu Shimazaki**, Kokubunji (JP)

(73) Assignee: **Ikegami Tsushinki Co., Ltd.**, Tokyo (JP)

(**) Term: **14 Years**

(21) Appl. No.: **29/328,094**

(22) Filed: **Nov. 18, 2008**

(30) **Foreign Application Priority Data**

Jul. 30, 2008 (JP) 2008-019574

(51) **LOC (9) Cl.** **16-01**

(52) **U.S. Cl.** **D16/202**

(58) **Field of Classification Search** D16/200–205, D16/208, 218; 348/373–376; 358/906; 396/535–541
See application file for complete search history.

(56) **References Cited**

U.S. PATENT DOCUMENTS

D285,683 S * 9/1986 Shibata D16/202
4,623,931 A * 11/1986 Inaga et al. 348/374
D289,157 S * 4/1987 Inai et al. D16/202

D289,893 S * 5/1987 Takemoto et al. D16/202
D317,457 S * 6/1991 Ooi et al. D16/202
D332,794 S * 1/1993 Takita et al. D16/202
D412,515 S * 8/1999 Oka D16/202
D589,547 S * 3/2009 Yamada et al. D16/202

* cited by examiner

Primary Examiner—Adir Aronovich

(74) *Attorney, Agent, or Firm*—Finnegan, Henderson, Farabow, Garrett & Dunner, LLP

(57) **CLAIM**

The ornamental design for a television camera, as shown and described.

DESCRIPTION

FIG. 1 is a top, front, and right side perspective view of a television camera showing our new design;

FIG. 2 is a front elevational view thereof;

FIG. 3 is a rear elevational view thereof;

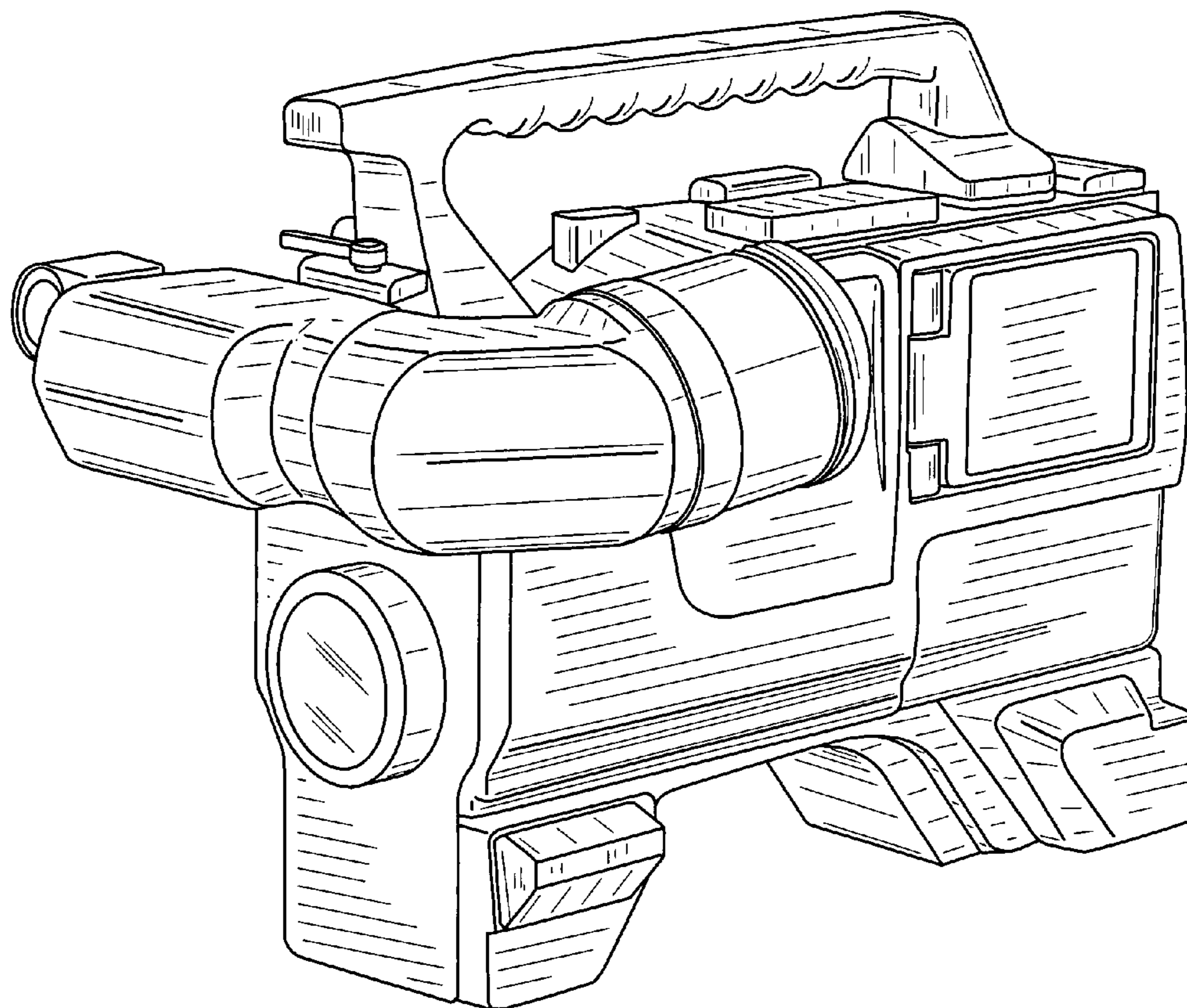
FIG. 4 is a left side elevational view thereof;

FIG. 5 is a right side elevational view thereof;

FIG. 6 is a top plan view thereof; and,

FIG. 7 is a bottom plan view thereof.

1 Claim, 7 Drawing Sheets



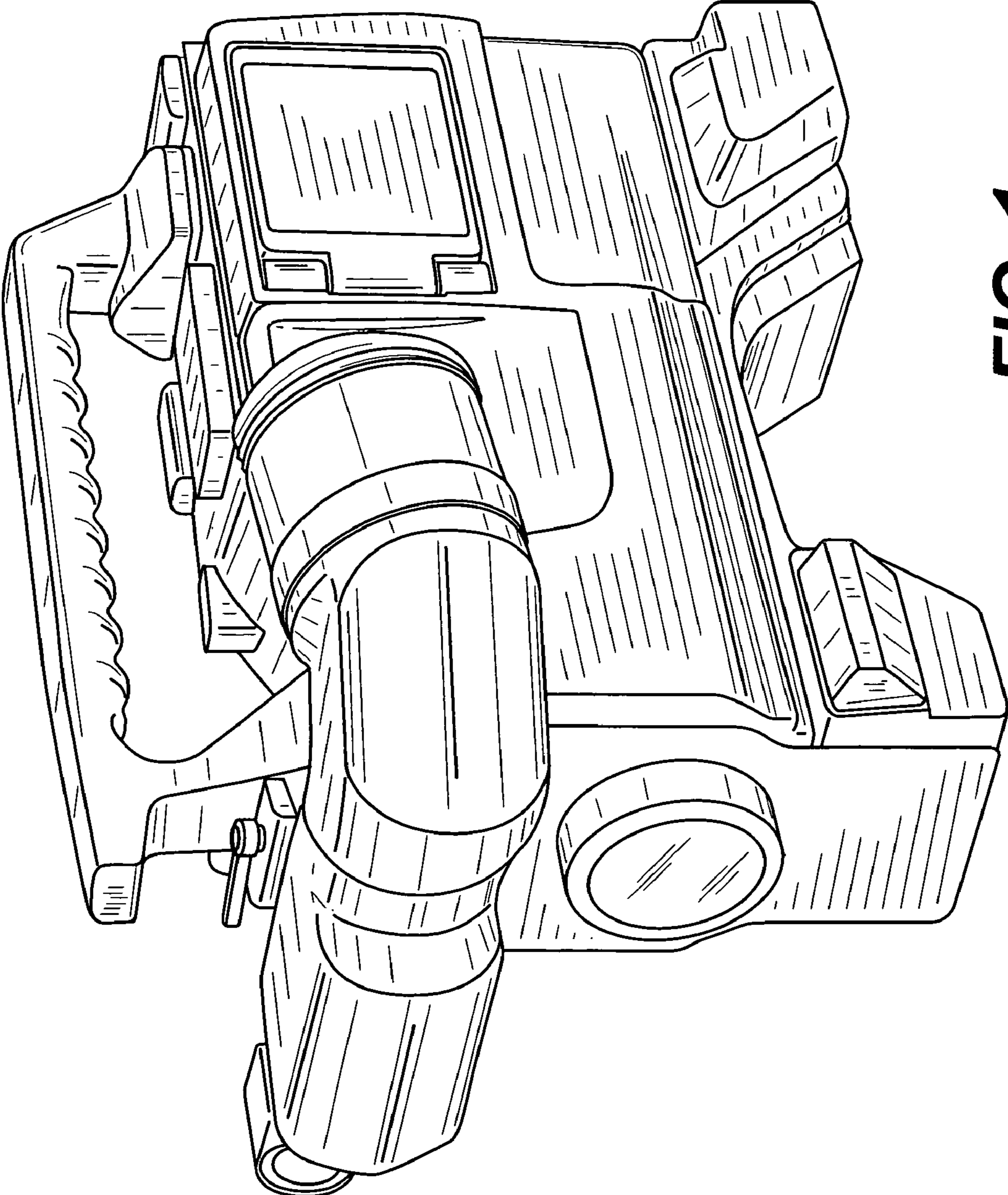


FIG. 1

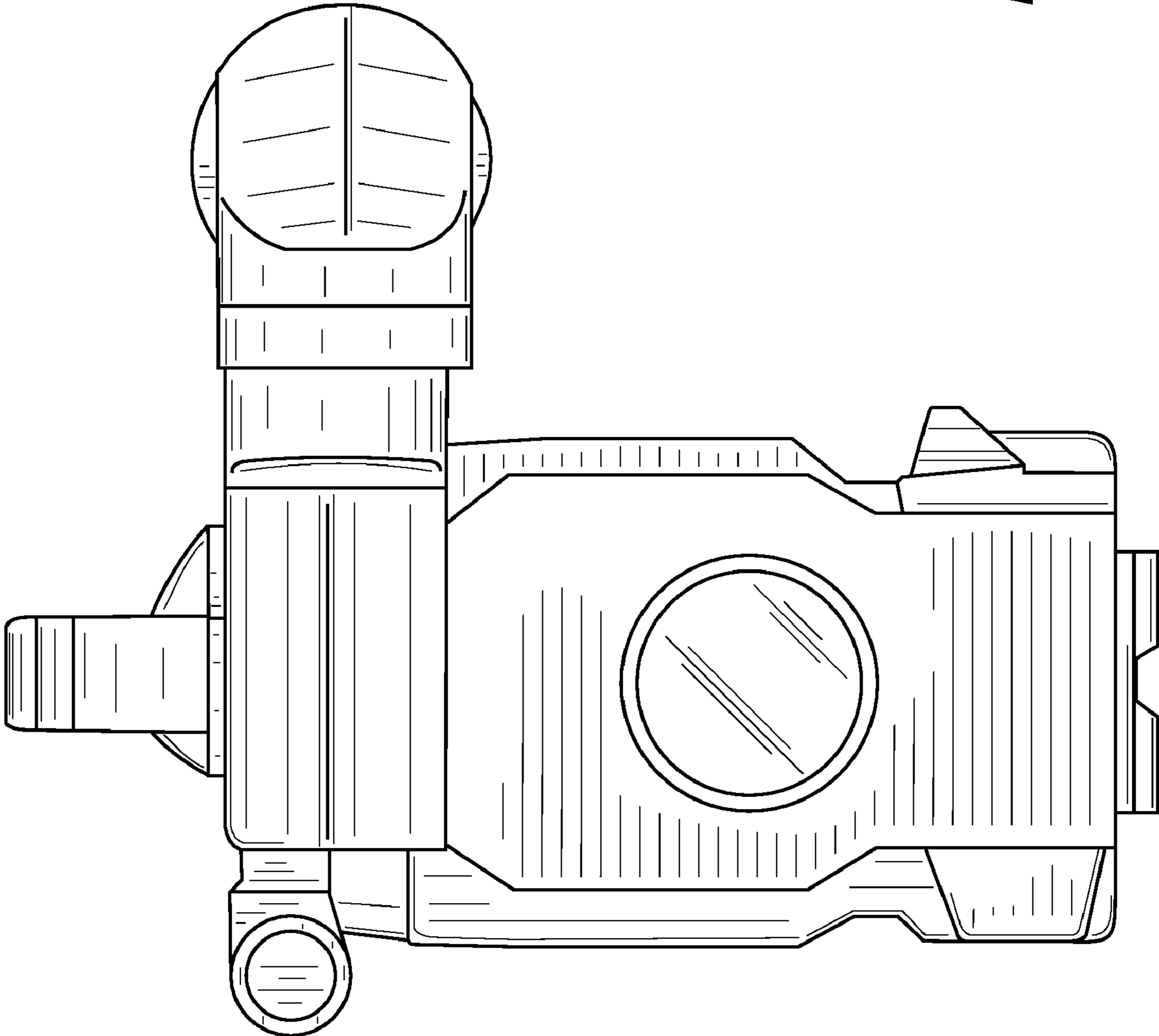


FIG. 2

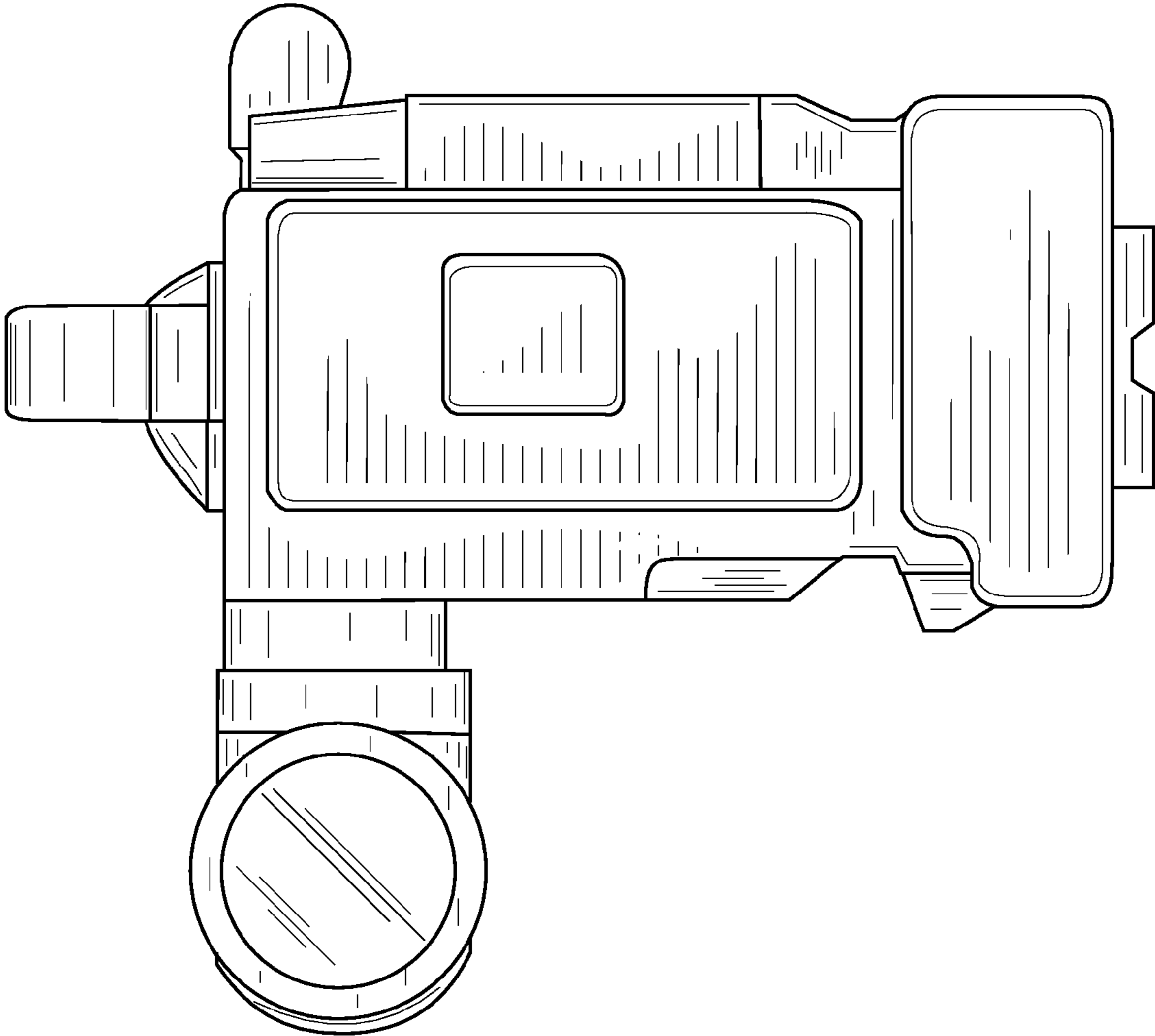


FIG. 3

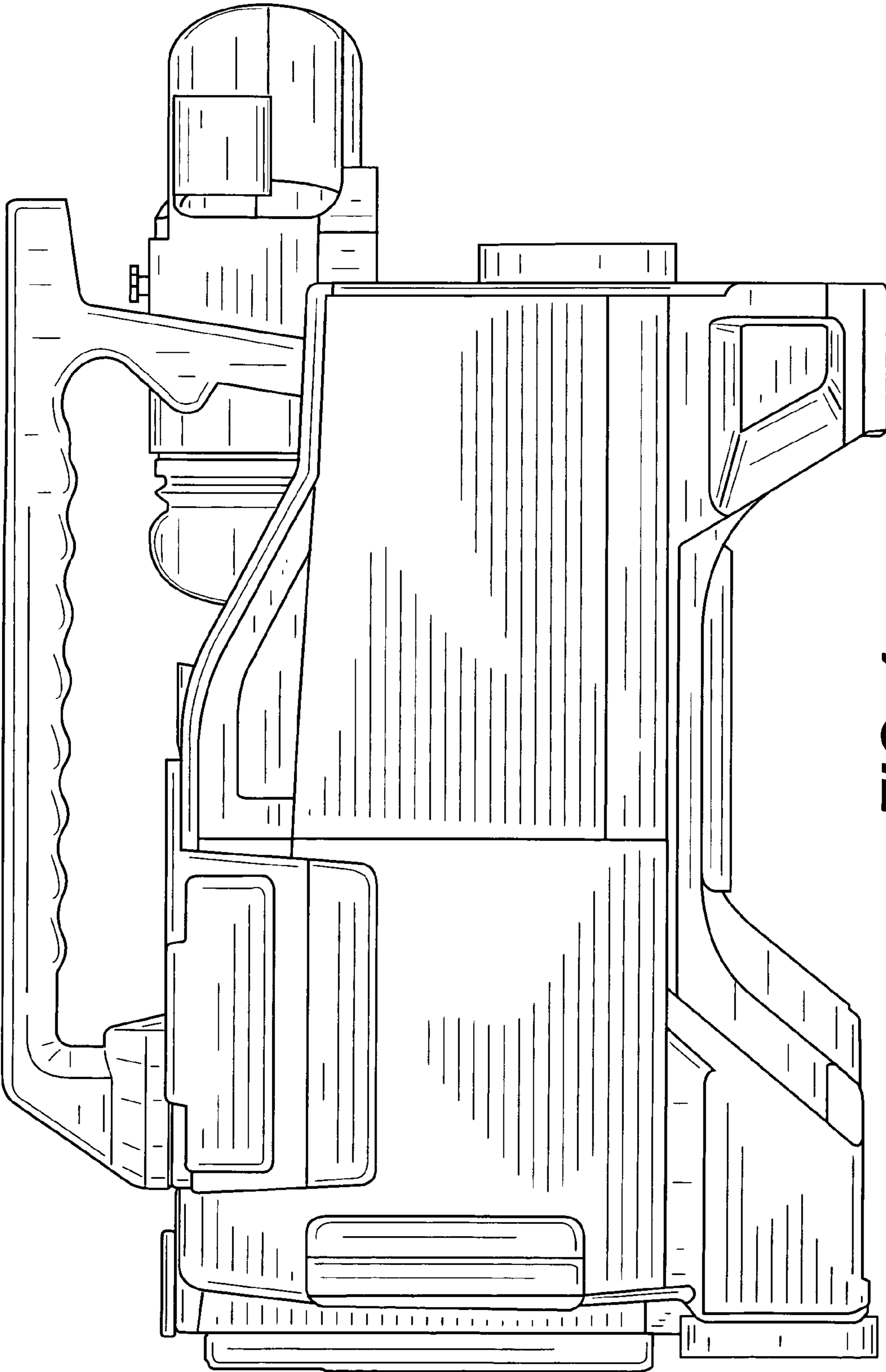


FIG. 4

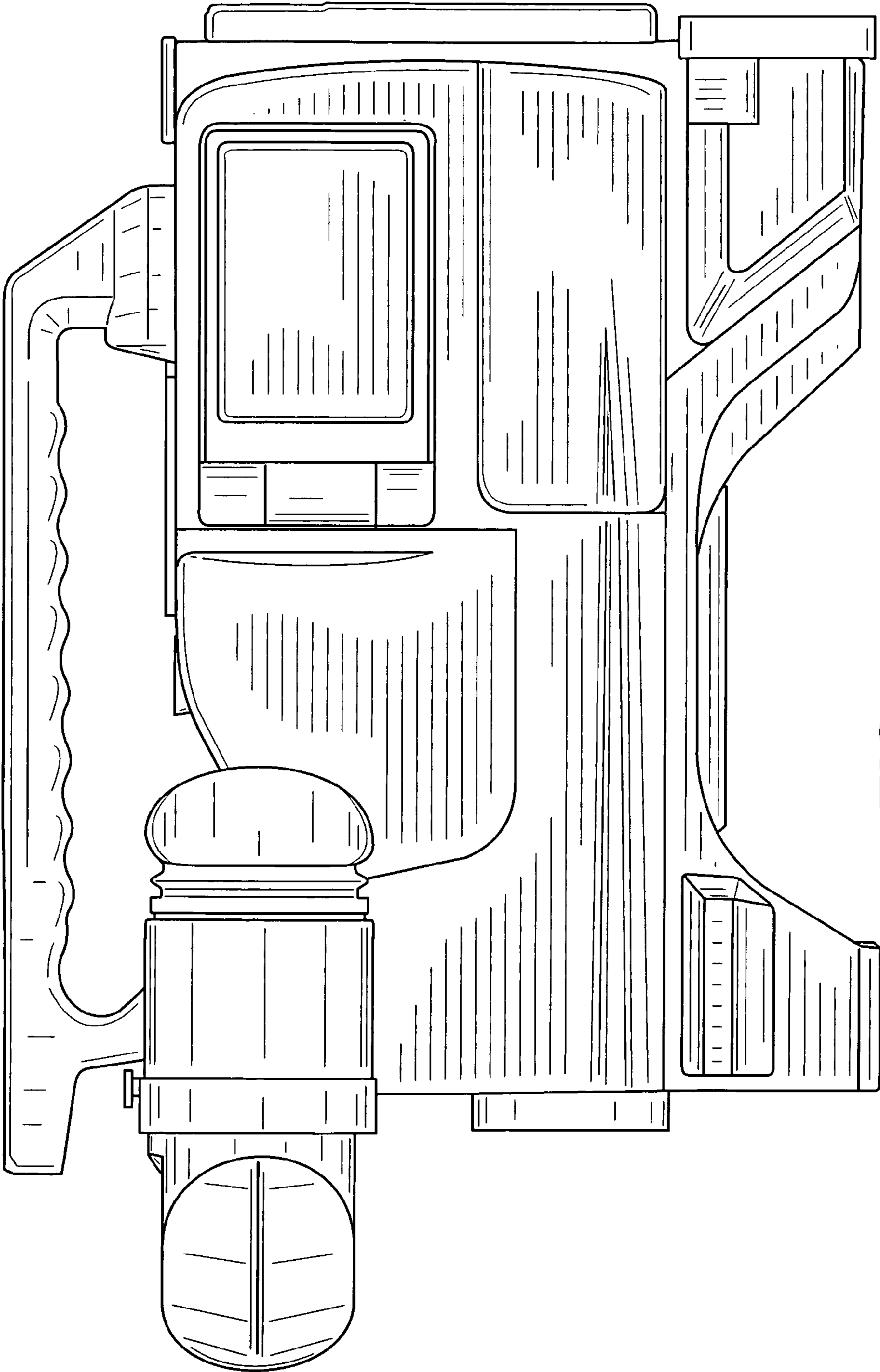


FIG. 5

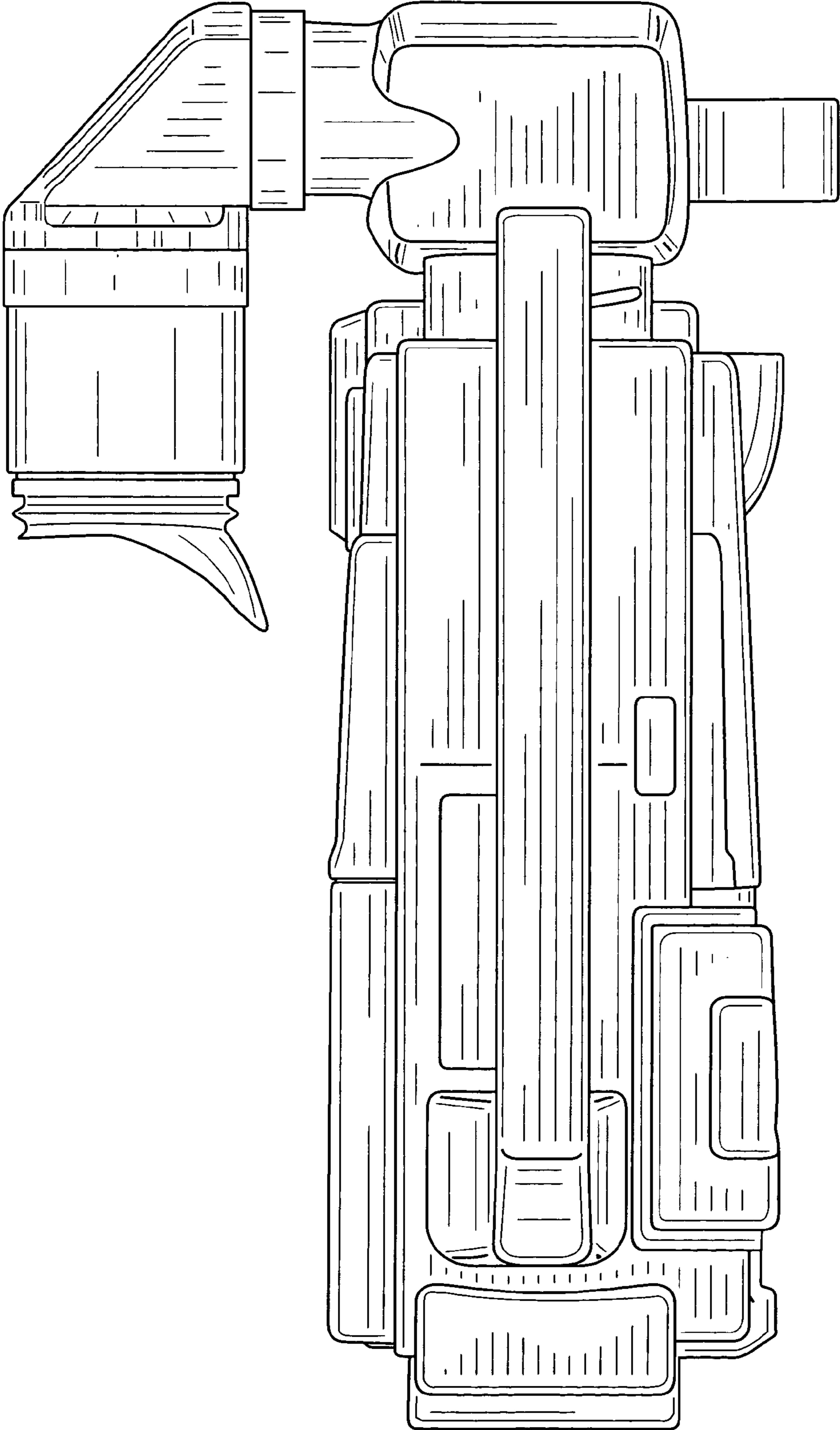


FIG. 6

