



US00D622299S

(12) **United States Design Patent**
Liu

(10) **Patent No.:** **US D622,299 S**

(45) **Date of Patent:** **** Aug. 24, 2010**

(54) **ROBOT**

(75) Inventor: **Da-Wei Liu**, Shenzhen (CN)

(73) Assignee: **Hon Hai Precision Industry Co., Ltd.**,
Tu-Cheng, Taipei Hsien (TW)

(**) Term: **14 Years**

(21) Appl. No.: **29/357,454**

(22) Filed: **Mar. 12, 2010**

(30) **Foreign Application Priority Data**

Nov. 4, 2009 (CN) 2009 3 0322912

(51) **LOC (9) Cl.** **15-99**

(52) **U.S. Cl.** **D15/199**

(58) **Field of Classification Search** D15/199;
D21/578-583, 621, 622; 74/490.01, 490.02,
74/490.03, 490.05; 219/124.34, 639; 318/560;
700/99, 150

See application file for complete search history.

(56) **References Cited**

U.S. PATENT DOCUMENTS

D268,033	S	*	2/1983	Stackhouse	D15/199
D279,571	S	*	7/1985	Arai et al.	D15/199
D280,203	S	*	8/1985	Shibayama et al.	D15/199
D287,368	S	*	12/1986	Shibayama et al.	D15/199
D293,324	S	*	12/1987	Gotou et al.	D15/199
D308,213	S	*	5/1990	Jones et al.	D15/199
D334,581	S	*	4/1993	Yoshikawa et al.	D15/199
D343,630	S	*	1/1994	Tomiyama et al.	D15/199
5,375,480	A	*	12/1994	Nihei et al.	74/490.02

D503,943	S	*	4/2005	Kawaguchi	D15/199
7,264,436	B2	*	9/2007	Tillmann	414/744.5
D613,781	S	*	4/2010	Liu et al.	D15/199
2006/0201275	A1	*	9/2006	Ono	74/490.01
2009/0114054	A1	*	5/2009	Horiuchi et al.	74/490.05
2009/0266194	A1	*	10/2009	Zhang et al.	74/490.01
2010/0095800	A1	*	4/2010	Palau et al.	74/490.03

* cited by examiner

Primary Examiner—Sandra Snapp

Assistant Examiner—Patricia Palasik

(74) *Attorney, Agent, or Firm*—Clifford O. Chi

(57) **CLAIM**

The ornamental design for a robot, as shown and described.

DESCRIPTION

FIG. 1 is a perspective view of a first configuration of a robot showing my design;

FIG. 2 is a front elevational view thereof;

FIG. 3 is a rear elevational view thereof;

FIG. 4 is a left side elevational view thereof;

FIG. 5 is a right side elevational view thereof;

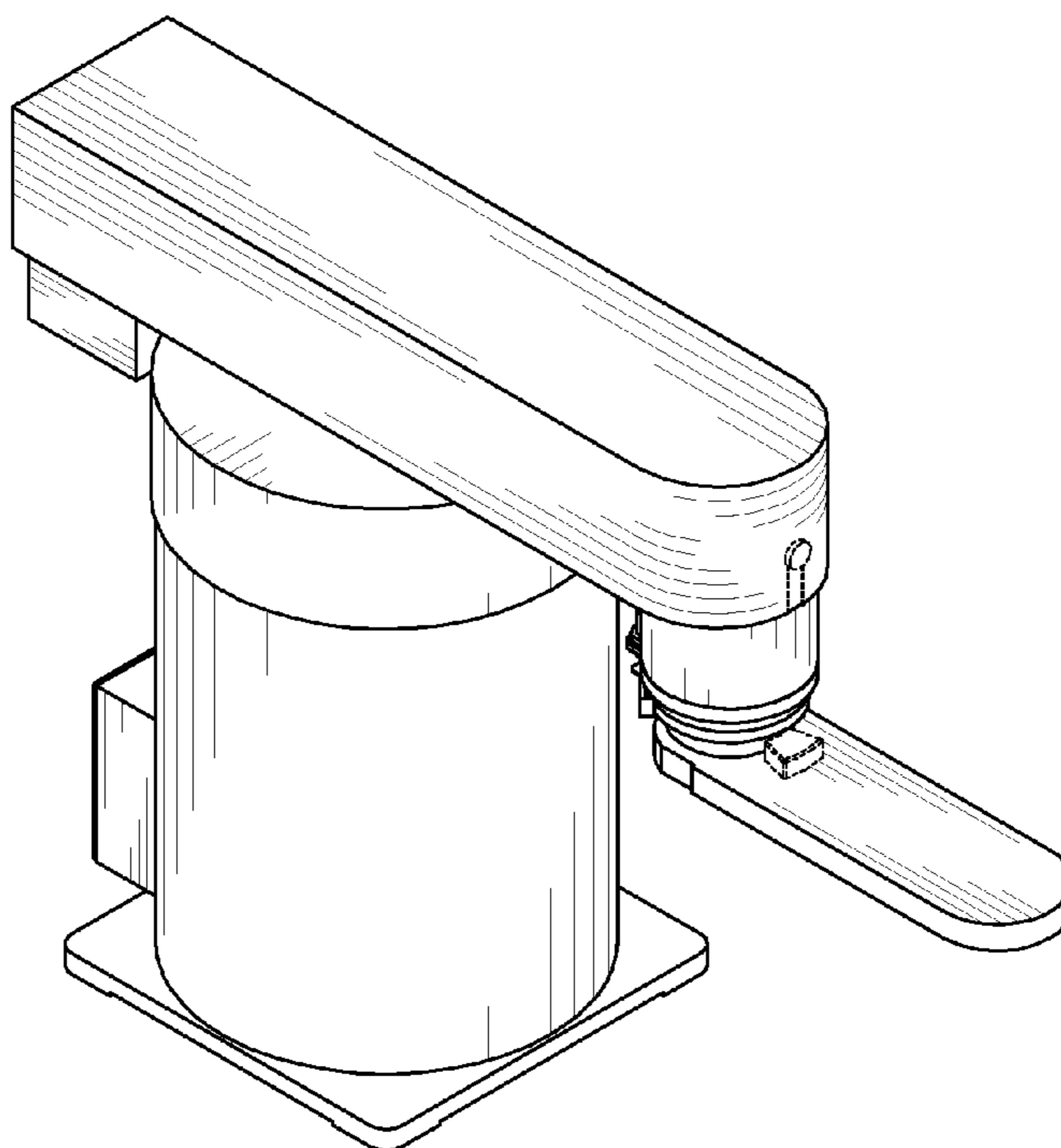
FIG. 6 is a top plan view thereof;

FIG. 7 is a bottom plan view thereof; and,

FIG. 8 is a second configuration of the robot in a front elevational view thereof.

The broken lines are for illustrative purposes only and form no part of the claimed design.

1 Claim, 8 Drawing Sheets



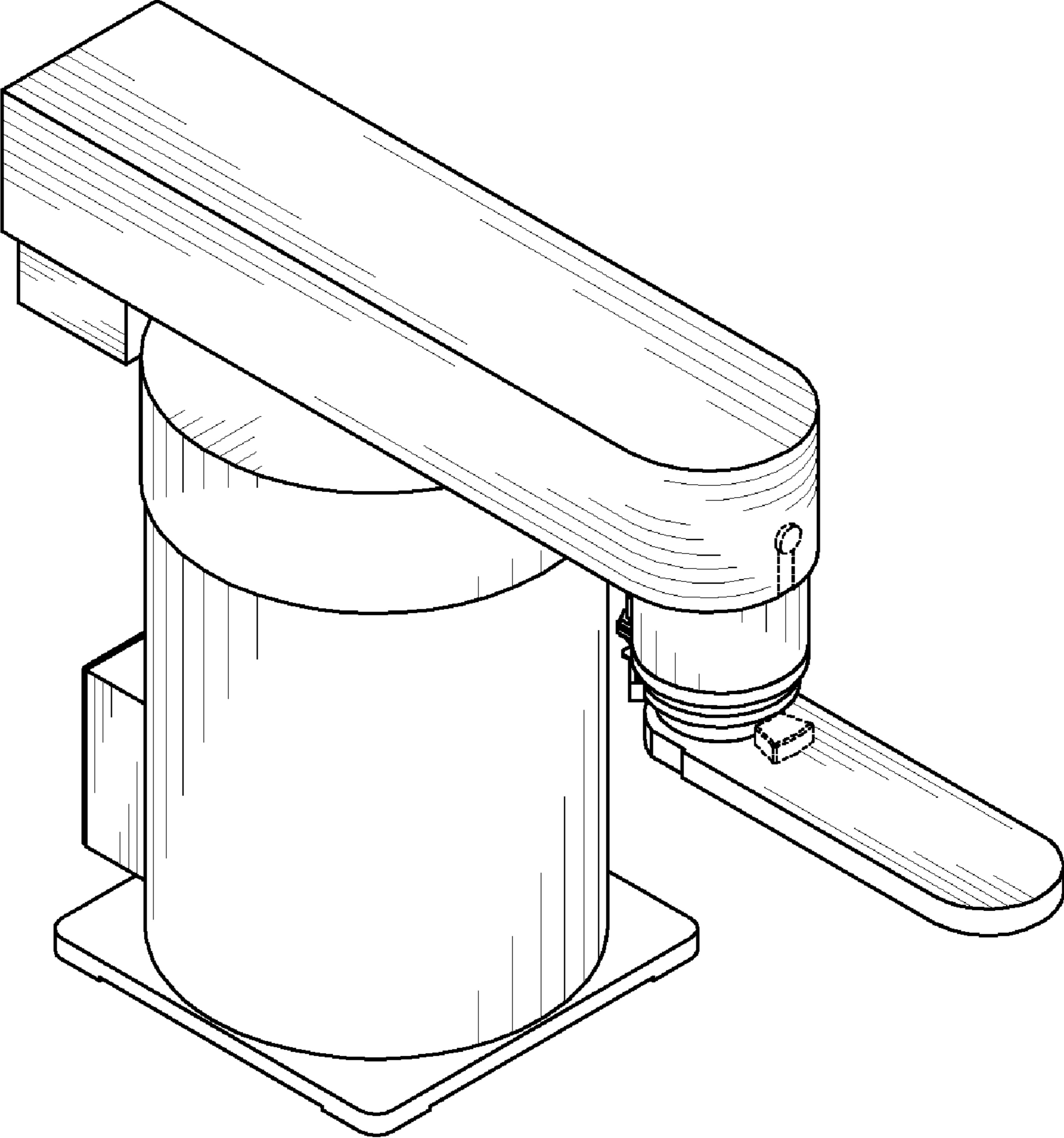


FIG. 1

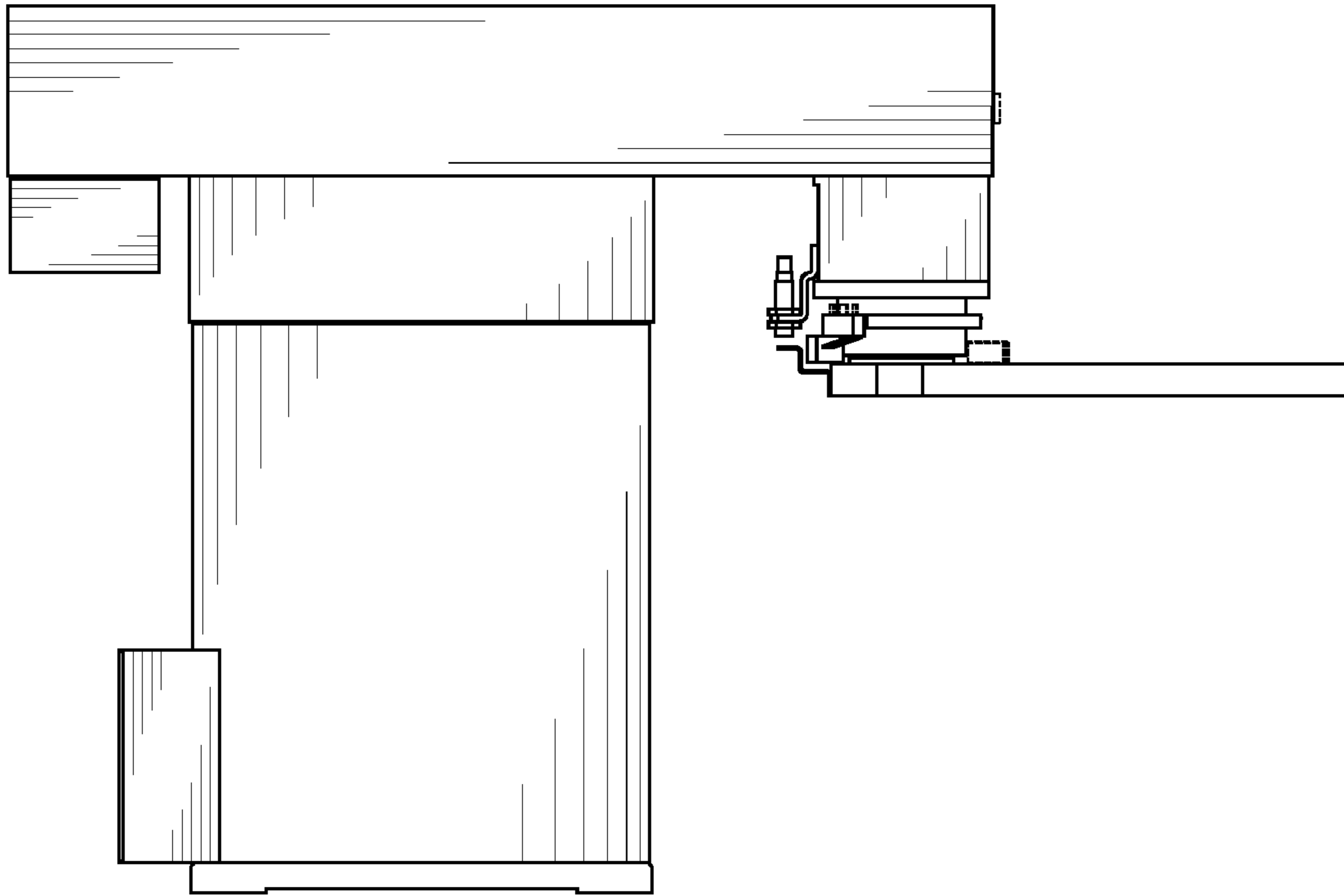


FIG. 2

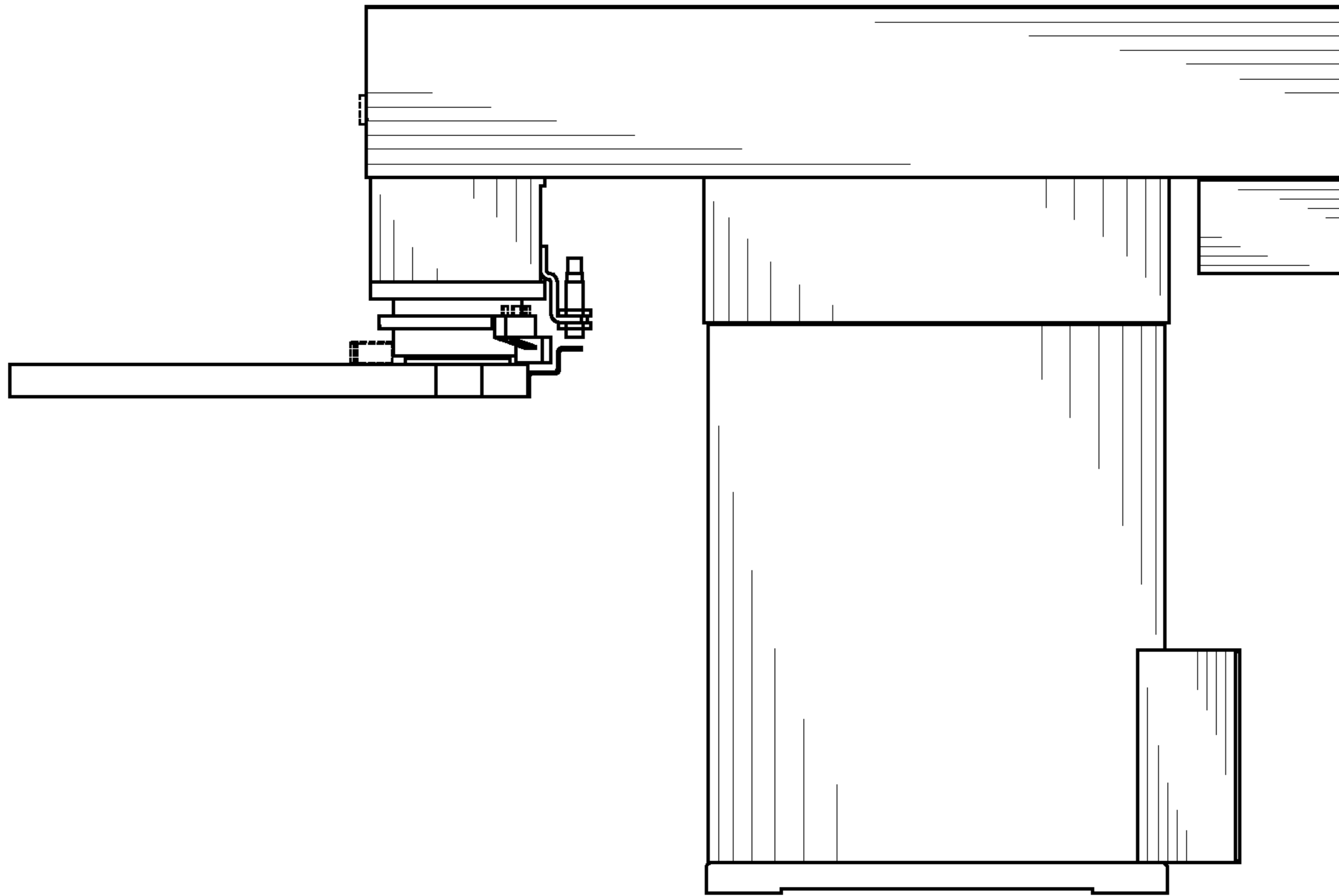


FIG. 3

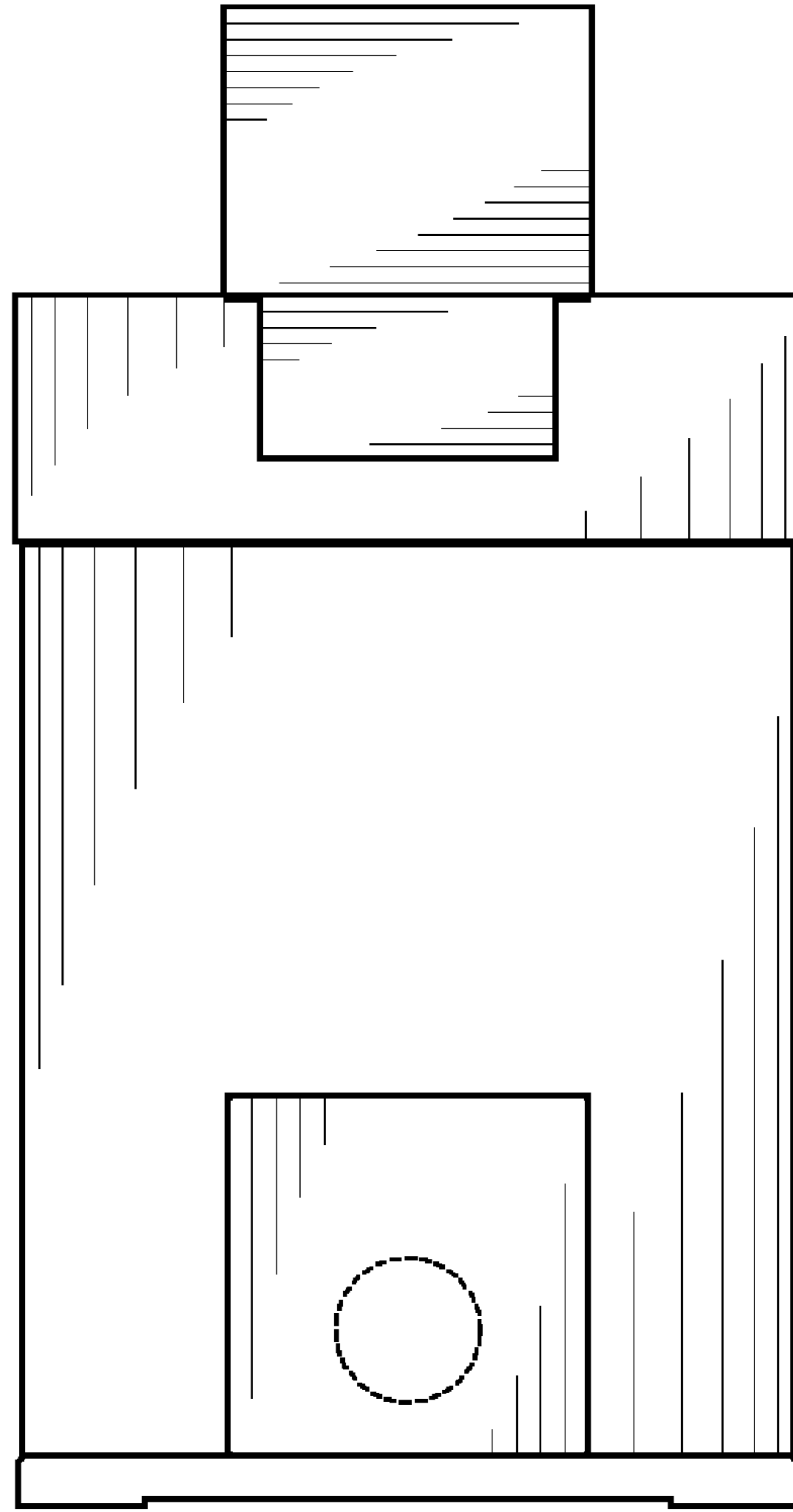


FIG. 4

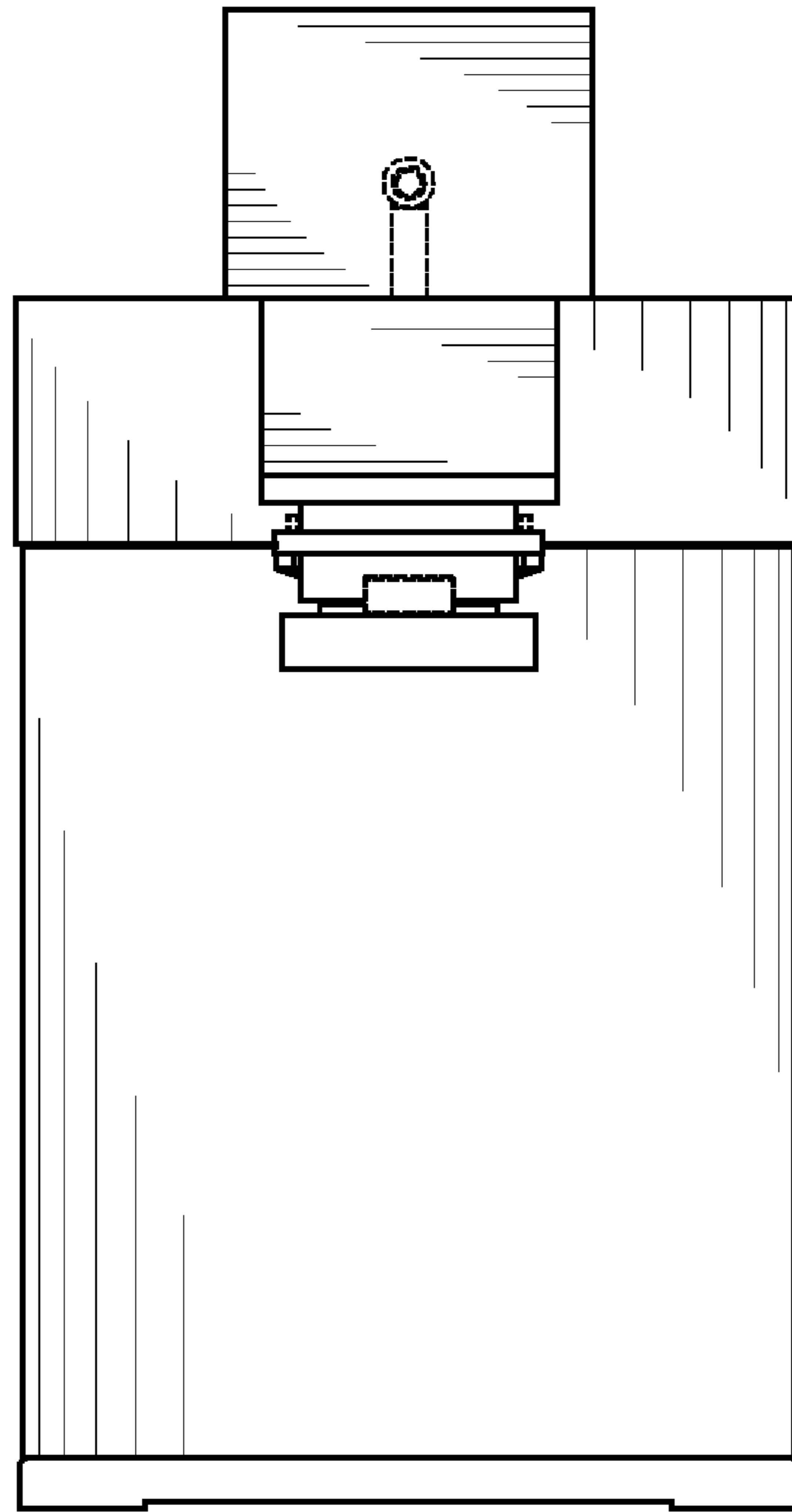


FIG. 5

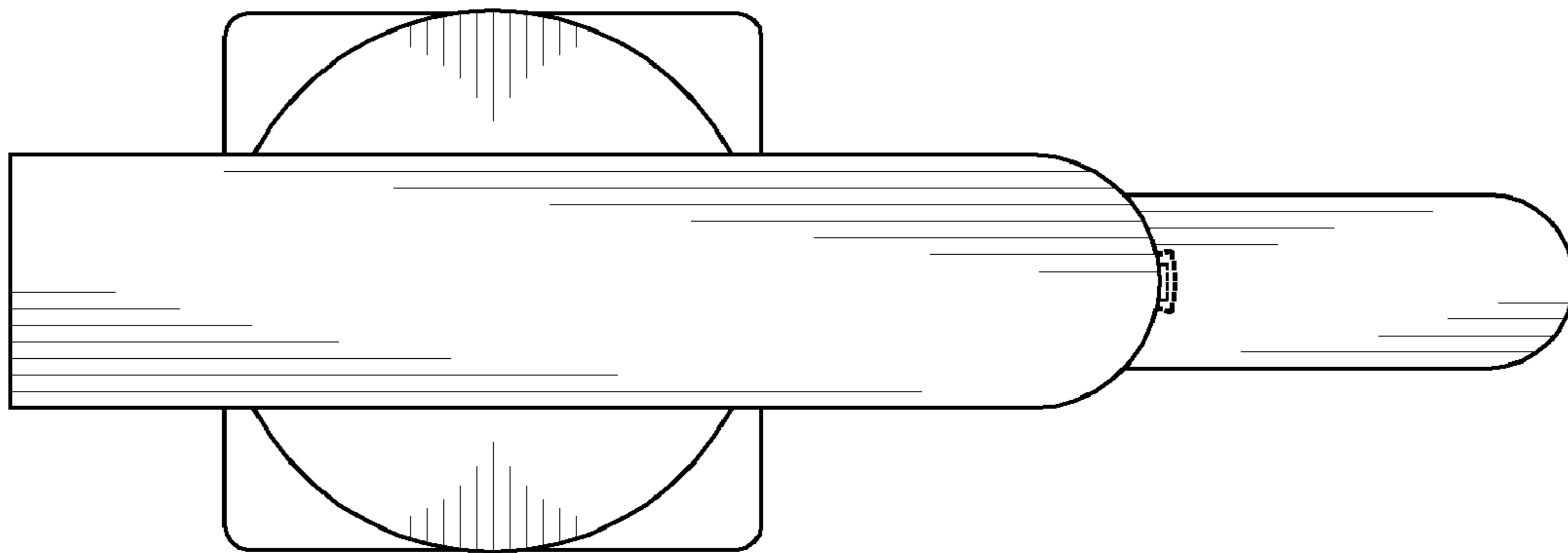


FIG. 6

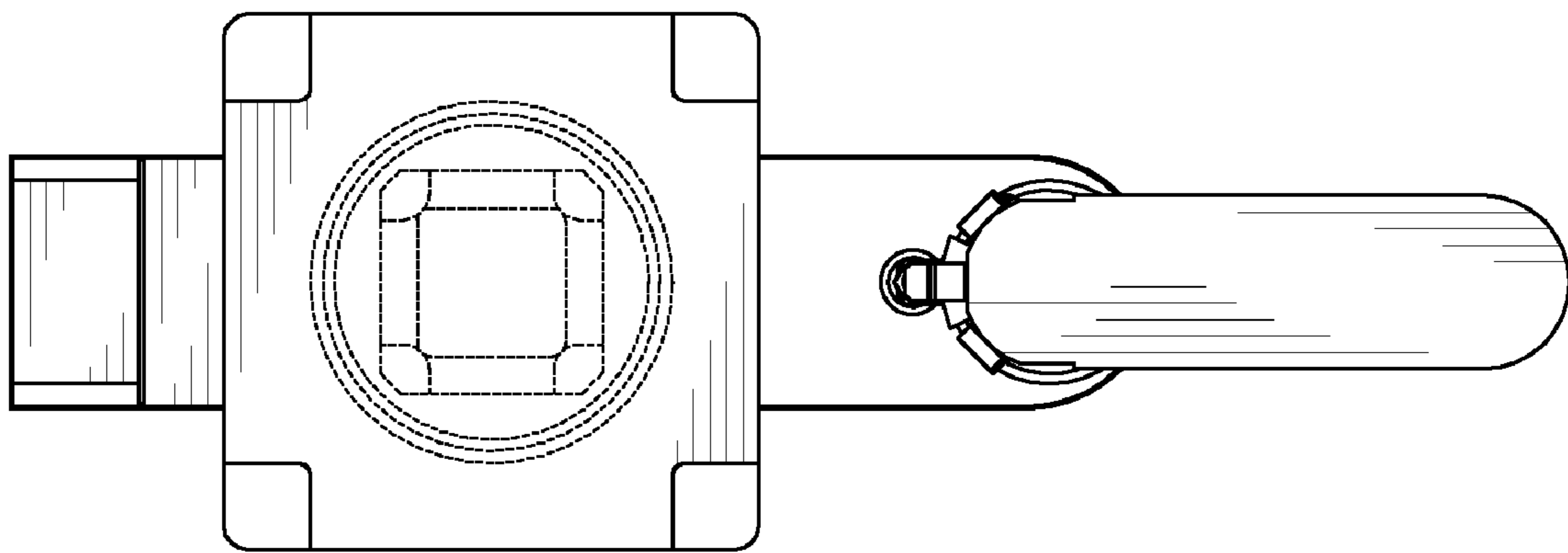


FIG. 7

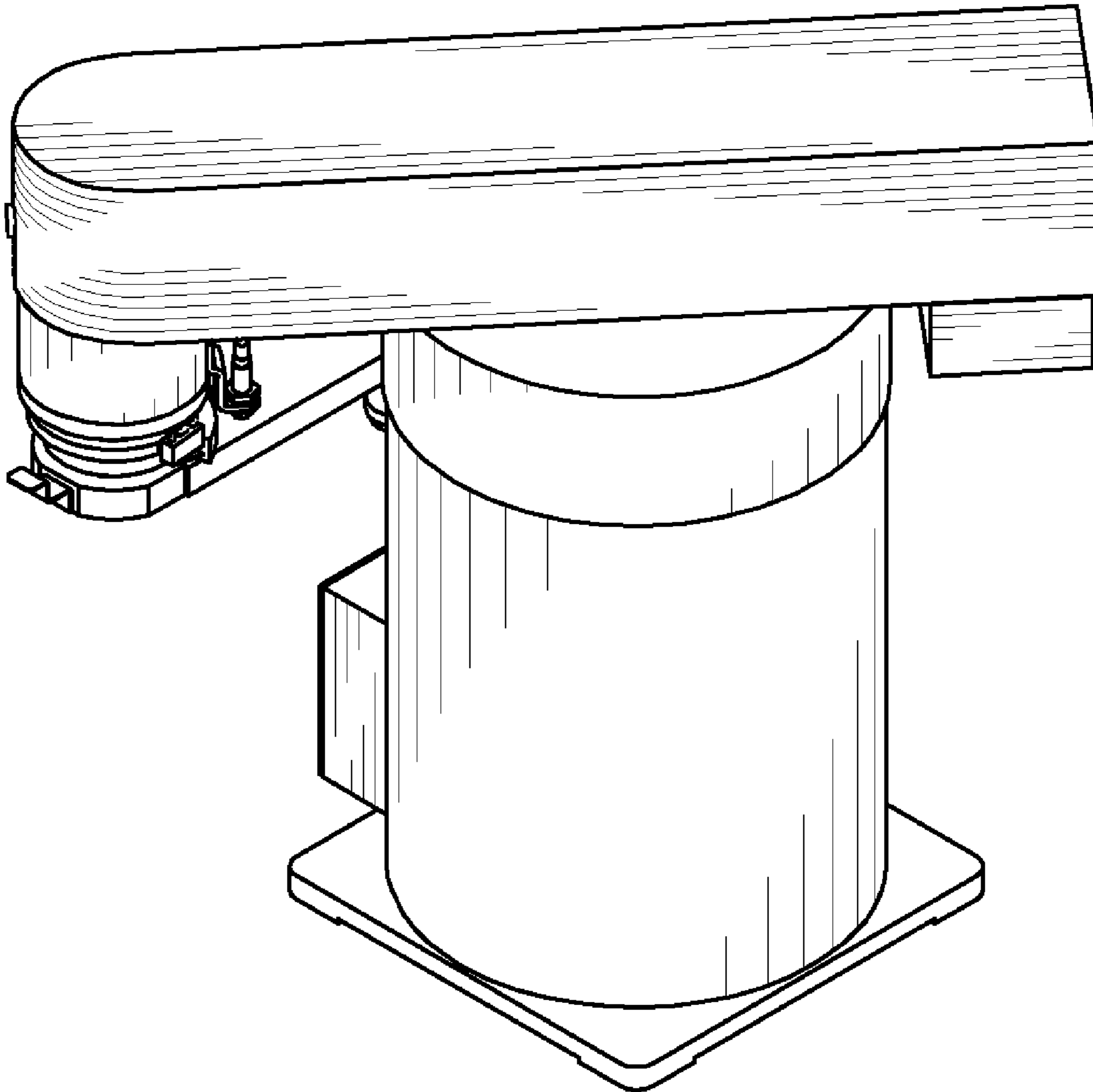


FIG. 8