



US00D622296S

(12) **United States Design Patent**  
**Ueberschlag**

(10) **Patent No.:** **US D622,296 S**

(45) **Date of Patent:** **\*\* Aug. 24, 2010**

(54) **COATING MACHINE**

2006/0233960 A1\* 10/2006 Warren et al. .... 427/421.1

(75) Inventor: **Pascal Ueberschlag**, Fislis (FR)

\* cited by examiner

(73) Assignee: **Glatt Maschinen- und Apparatebau AG**, Pratteln (CH)

*Primary Examiner*—Sandra Snapp  
*Assistant Examiner*—Patricia Palasik

(74) *Attorney, Agent, or Firm*—Volpe and Koenig, P.C.

(\*\*) Term: **14 Years**

(57) **CLAIM**

(21) Appl. No.: **29/343,167**

The ornamental design for a coating machine, as shown and described.

(22) Filed: **Sep. 9, 2009**

(30) **Foreign Application Priority Data**

**DESCRIPTION**

Apr. 28, 2009 (EM) ..... 001130447

FIG. 1 is a top, front, left perspective view of the coating machine in accordance with my design;

(51) **LOC (9) Cl.** ..... **15-09**

FIG. 2 is a top, right, front perspective view thereof;

(52) **U.S. Cl.** ..... **D15/122**

FIG. 3 is a front elevational view thereof;

(58) **Field of Classification Search** ..... D15/122,  
D15/124, 199; 118/64, 300, 309, 310, 324  
See application file for complete search history.

FIG. 4 is a right-side elevational view thereof;

FIG. 5 is a left-side elevational view thereof;

(56) **References Cited**

FIG. 6 is a rear elevational view thereof;

**U.S. PATENT DOCUMENTS**

FIG. 7 is a bottom plan view thereof; and,

FIG. 8 is a top plan view thereof.

2,400,315 A \* 5/1946 Paasche ..... 118/64

3,669,068 A \* 6/1972 Geitz ..... 118/64

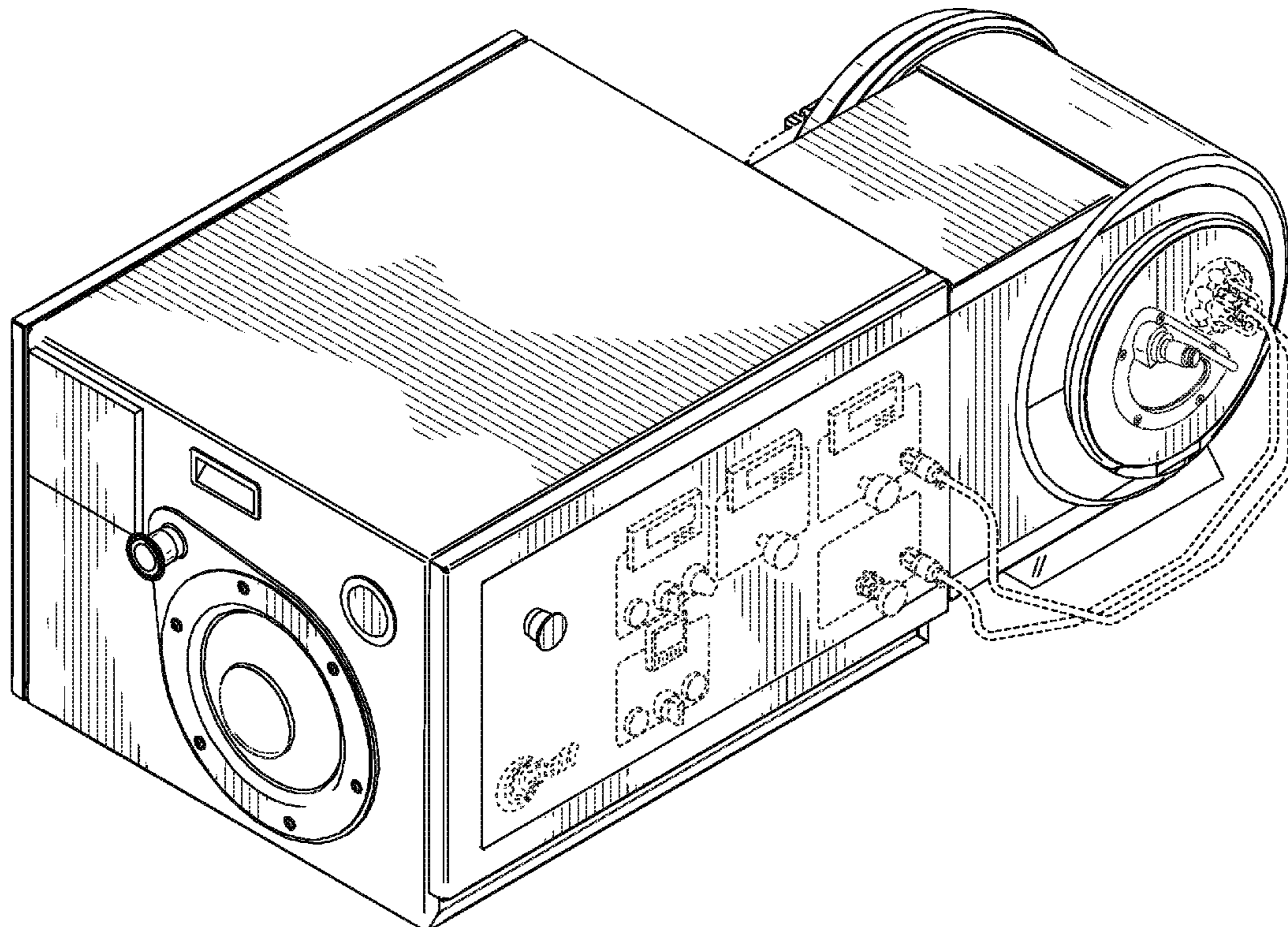
6,068,702 A \* 5/2000 Bertellotti et al. .... 118/621

D567,264 S \* 4/2008 Muller et al. .... D15/122

2006/0147633 A1\* 7/2006 Jones ..... 427/299

The broken lines shown do not form part of the claimed design for the coating machine.

**1 Claim, 8 Drawing Sheets**



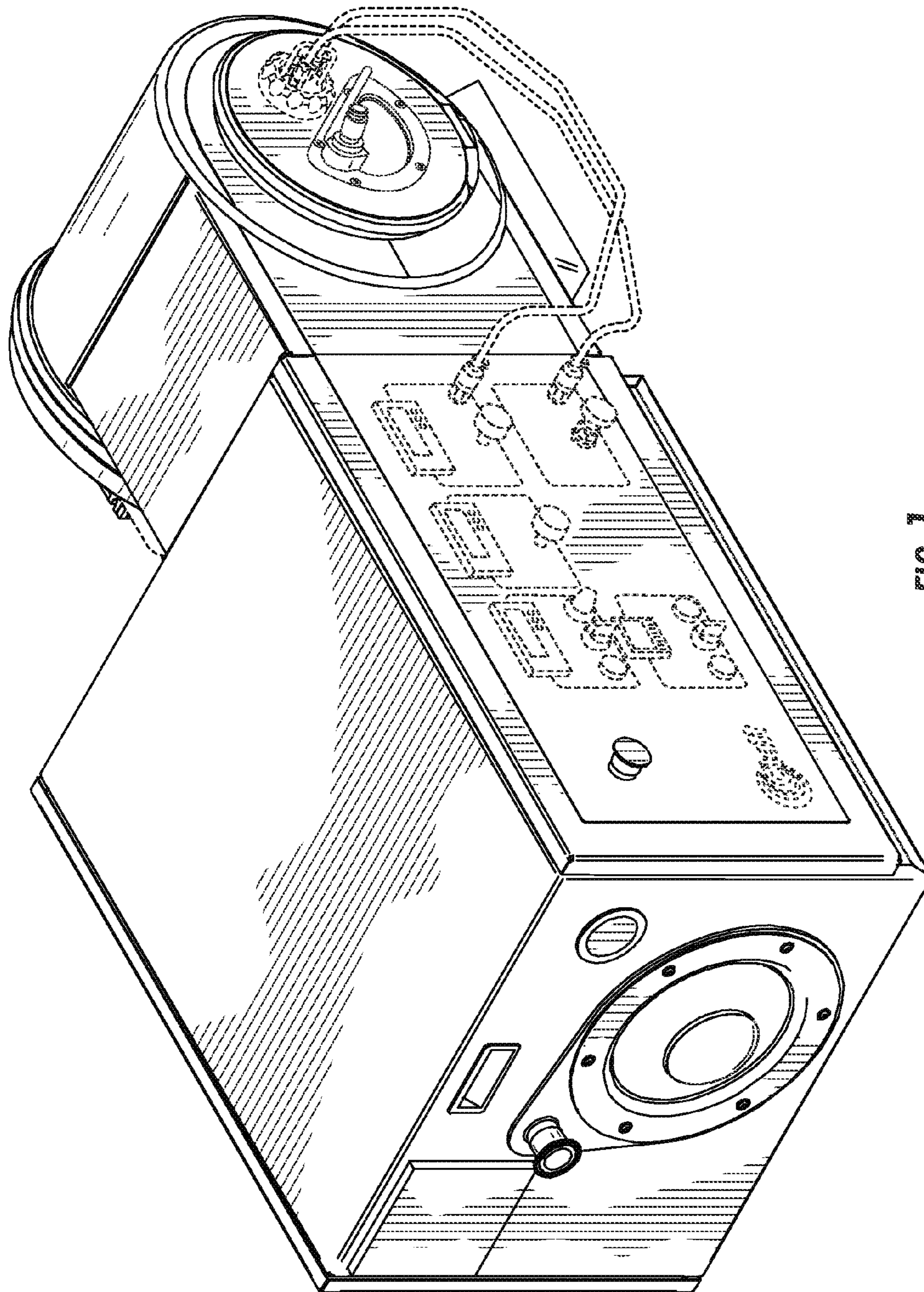
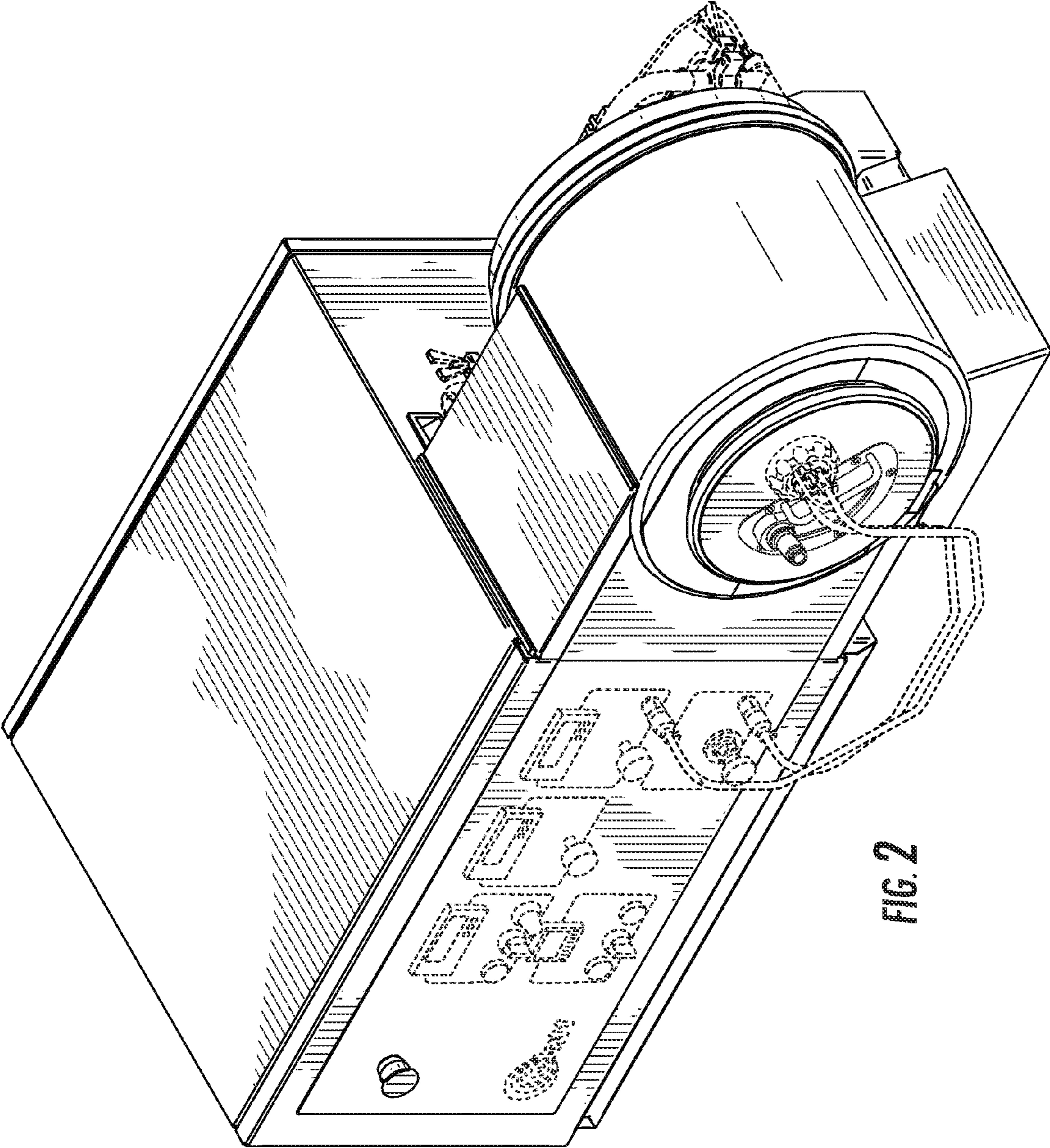


FIG. 1



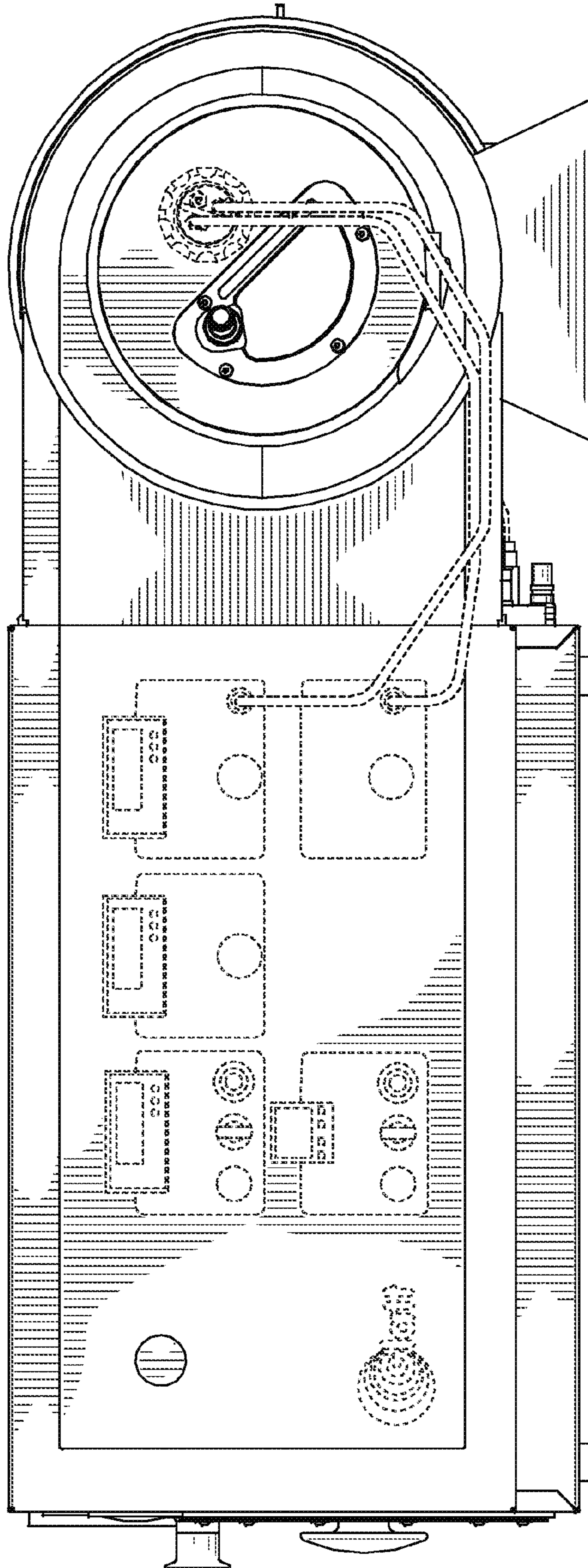


FIG. 3

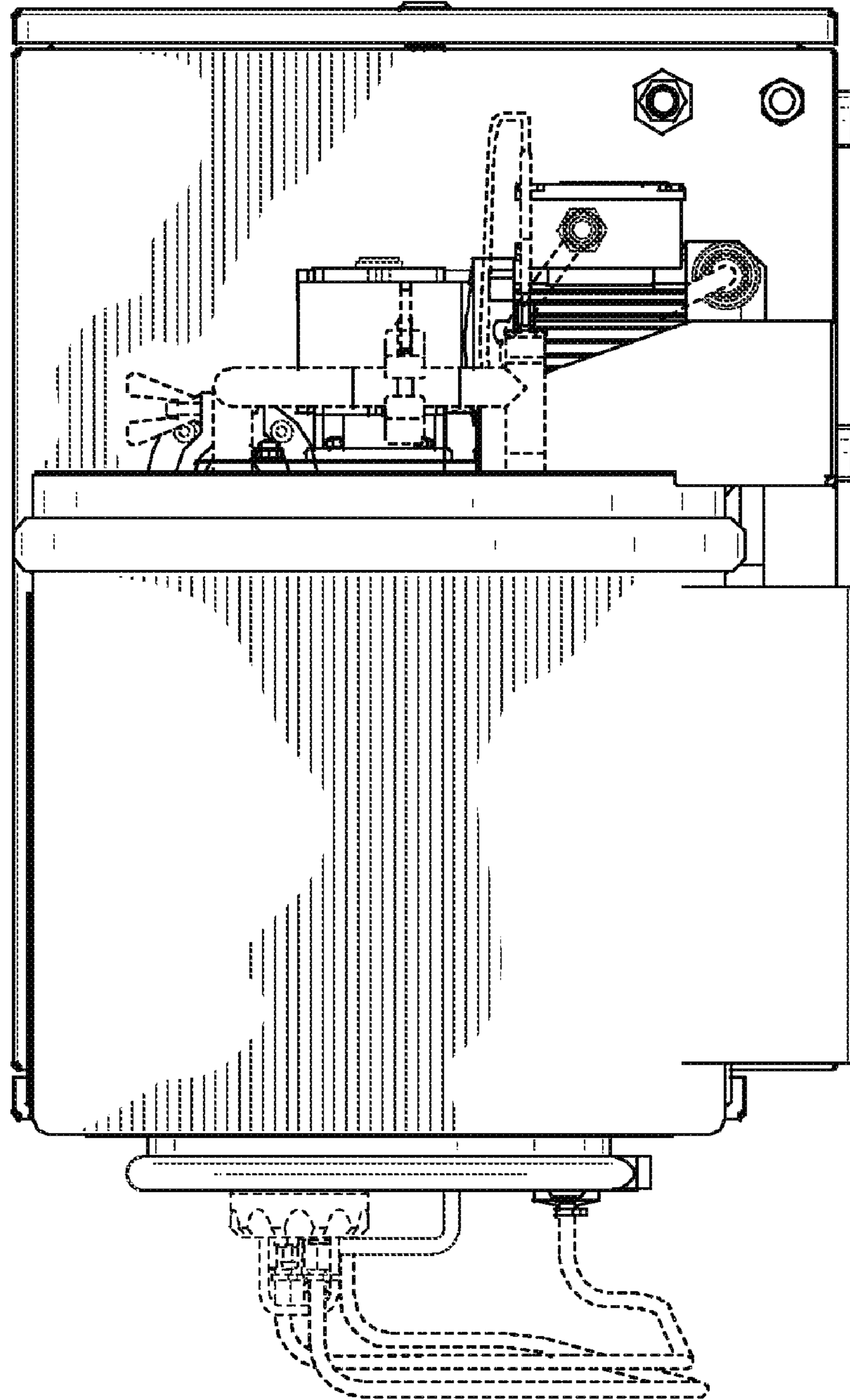


FIG. 4

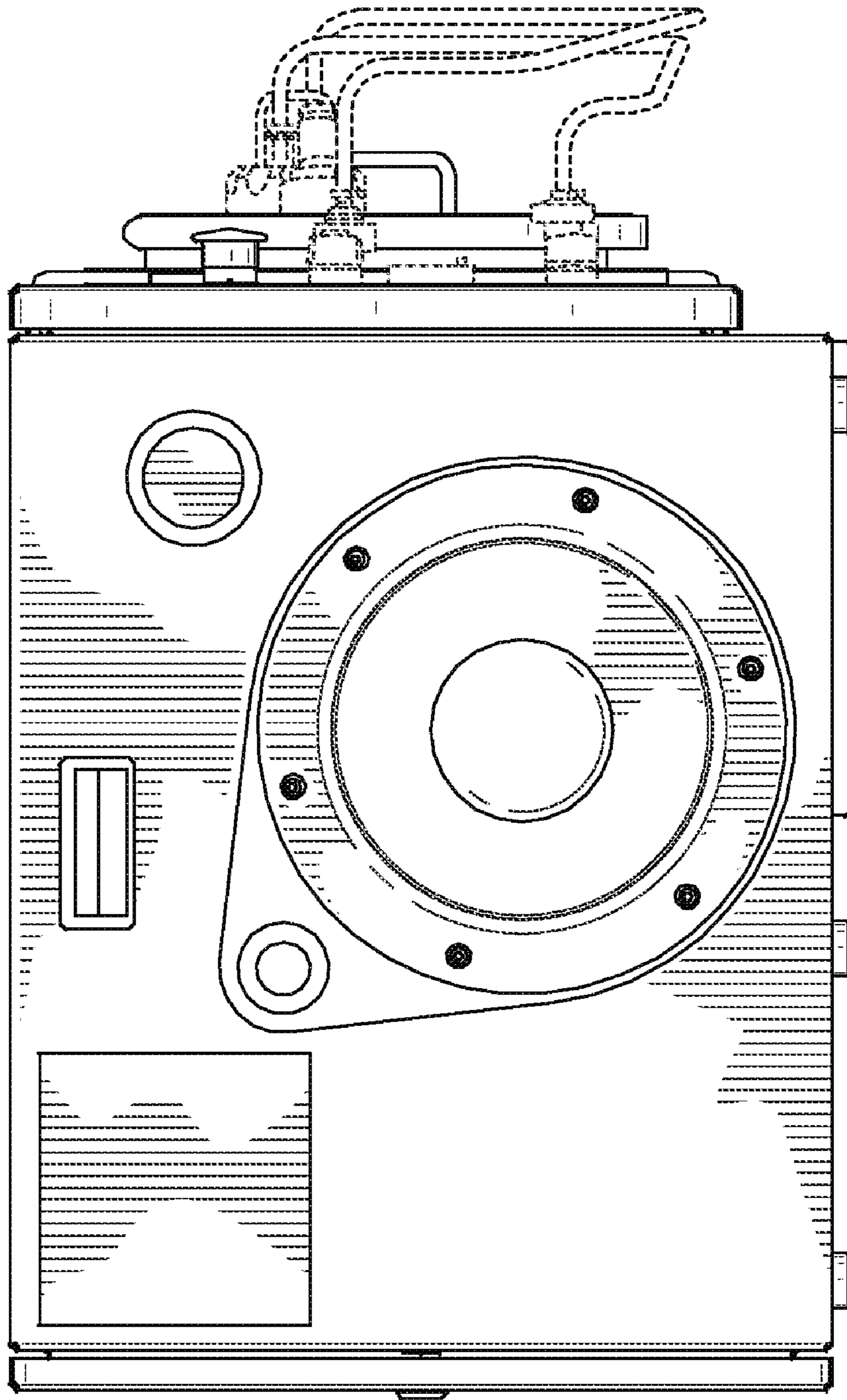


FIG. 5

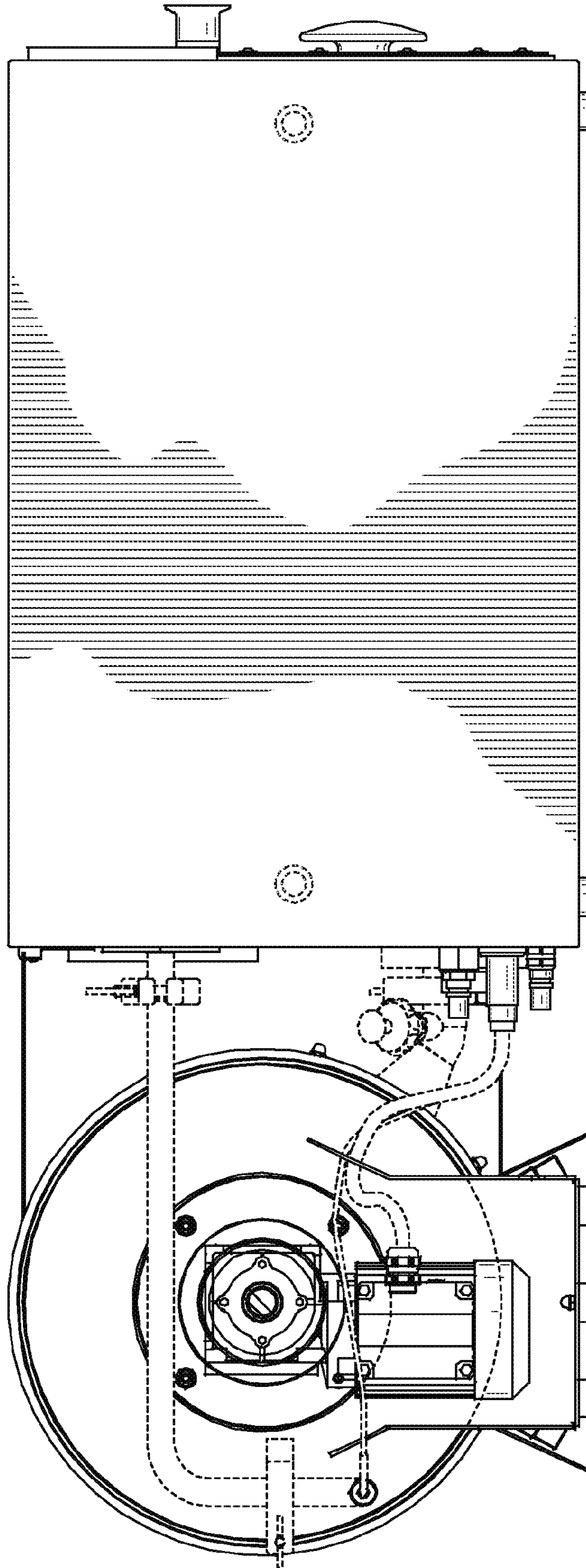


FIG. 6

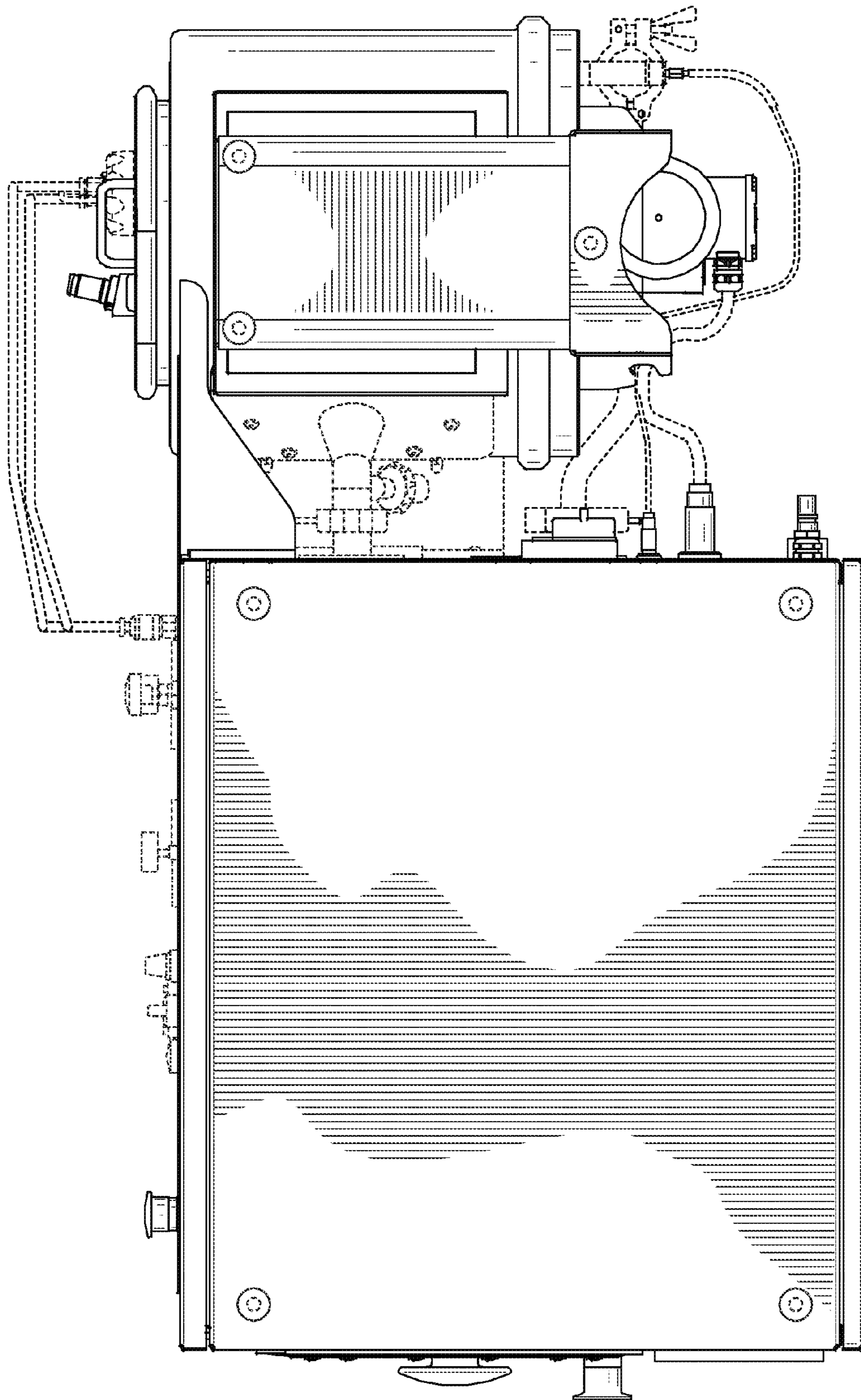


FIG. 7



