



US00D622295S

(12) **United States Design Patent**
Ryczek et al.

(10) **Patent No.:** **US D622,295 S**
(45) **Date of Patent:** **** Aug. 24, 2010**

(54) **LAWN TRACTOR GRILL**

(75) Inventors: **Stephen J. Ryczek**, Hartland, WI (US);
Eric R. Slegelis, Port Washington, WI
(US); **Dennis Hiller**, Random Lake, WI
(US); **Samuel Gerrits**, Pewaukee, WI
(US)

(73) Assignee: **Briggs & Stratton Corporation**,
Wauwatosa, WI (US)

(**) Term: **14 Years**

(21) Appl. No.: **29/354,863**

(22) Filed: **Jan. 29, 2010**

(51) **LOC (9) Cl.** **15-03**

(52) **U.S. Cl.** **D15/31**

(58) **Field of Classification Search** D15/15,
D15/23-25, 28, 31; 56/13.4, 16.7, 202, 320.1,
56/320.2; 180/89.12, 89.1, 900
See application file for complete search history.

(56) **References Cited**

U.S. PATENT DOCUMENTS

5,022,479	A	6/1991	Kiser et al.	
D352,723	S	* 11/1994	DeBaal et al.	D15/31
D365,578	S	* 12/1995	Westimayer et al.	D15/31
D381,341	S	7/1997	Goebert et al.	
D382,279	S	* 8/1997	Goebert et al.	D15/31
D410,012	S	5/1999	Goebert et al.	
D411,210	S	* 6/1999	Goebert et al.	D15/31
D447,753	S	* 9/2001	Goebert et al.	D15/31
D456,822	S	* 5/2002	Westimayer et al.	D15/31
D458,944	S	6/2002	Crookes et al.	
D459,735	S	* 7/2002	Hohnl et al.	D15/31
D466,531	S	12/2002	Hohnl et al.	
6,684,616	B2	2/2004	Hornung	

D497,370	S	* 10/2004	Katoh	D15/31
D498,485	S	* 11/2004	Kuwae	D15/31
D499,750	S	* 12/2004	Mistry et al.	D15/31
6,889,490	B2	5/2005	Hornung	
D520,527	S	5/2006	Crookes et al.	
D522,537	S	* 6/2006	Higashikawa	D15/31
D532,021	S	11/2006	Kuwae et al.	
D537,455	S	2/2007	Kuwae et al.	
7,213,667	B2	5/2007	Goebert et al.	
D554,669	S	* 11/2007	Crookes et al.	D15/31
D557,714	S	12/2007	Higashikawa	
D558,799	S	1/2008	Higashikawa	
7,334,834	B2	2/2008	Hill et al.	
7,370,718	B2	5/2008	Witwer et al.	
D581,955	S	12/2008	Matsumoto et al.	
D586,828	S	* 2/2009	Staines et al.	D15/31

* cited by examiner

Primary Examiner—Mark A Goodwin

(74) *Attorney, Agent, or Firm*—Andrus, Scales, Starke & Sawall, LLP

(57) **CLAIM**

The ornamental design for a lawn tractor grill, as shown and described.

DESCRIPTION

FIG. 1 is a front perspective view of a grill for a lawn tractor showing our new design in use condition;

FIG. 2 is an enlarged front perspective view thereof;

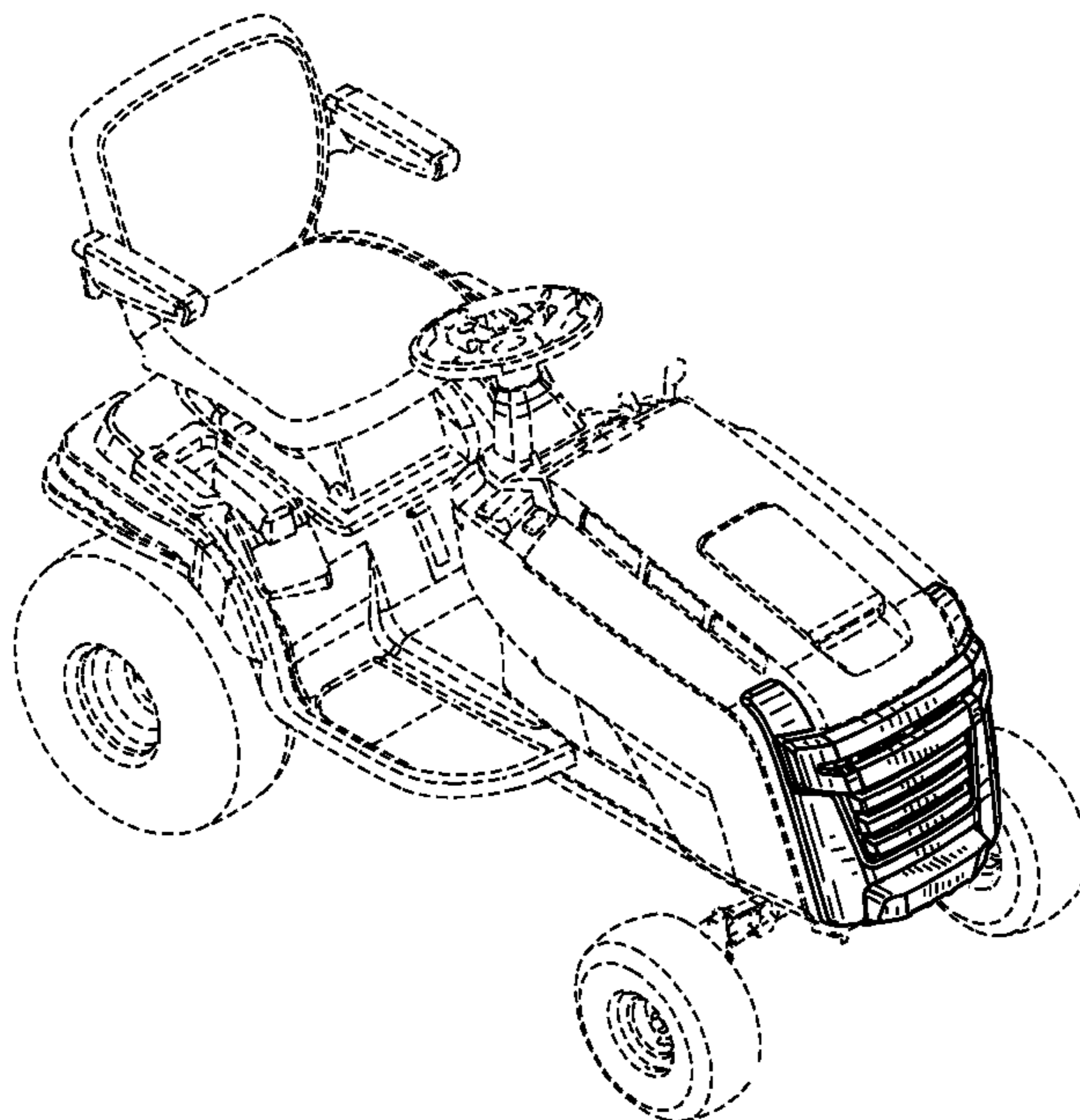
FIG. 3 is a front elevation view thereof;

FIG. 4 is a right side elevation view thereof, the left side elevation view is a mirror image thereof; and,

FIG. 5 is a top plan view thereof.

The bottom view forms no part of the claimed design.

1 Claim, 5 Drawing Sheets



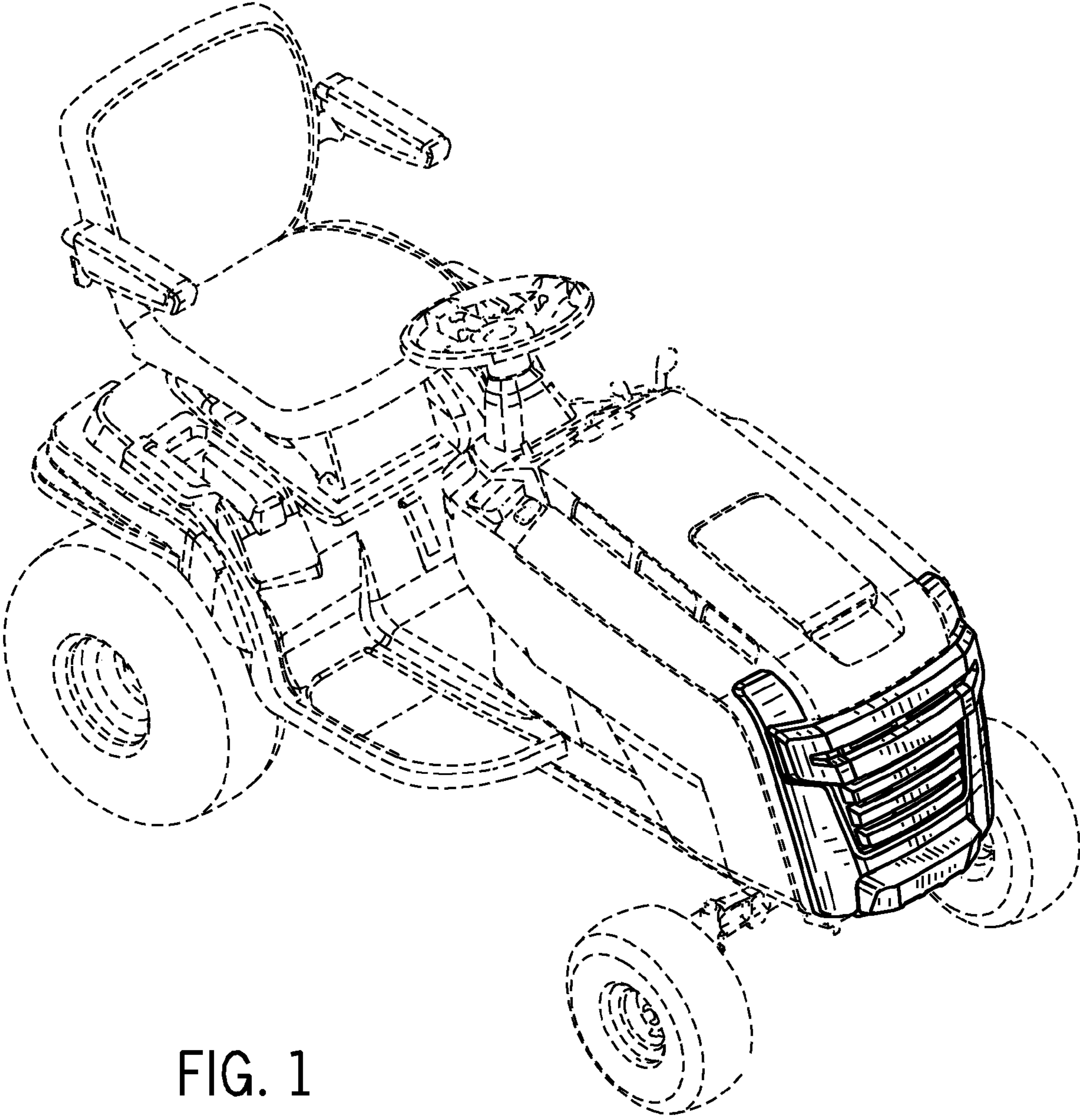


FIG. 1

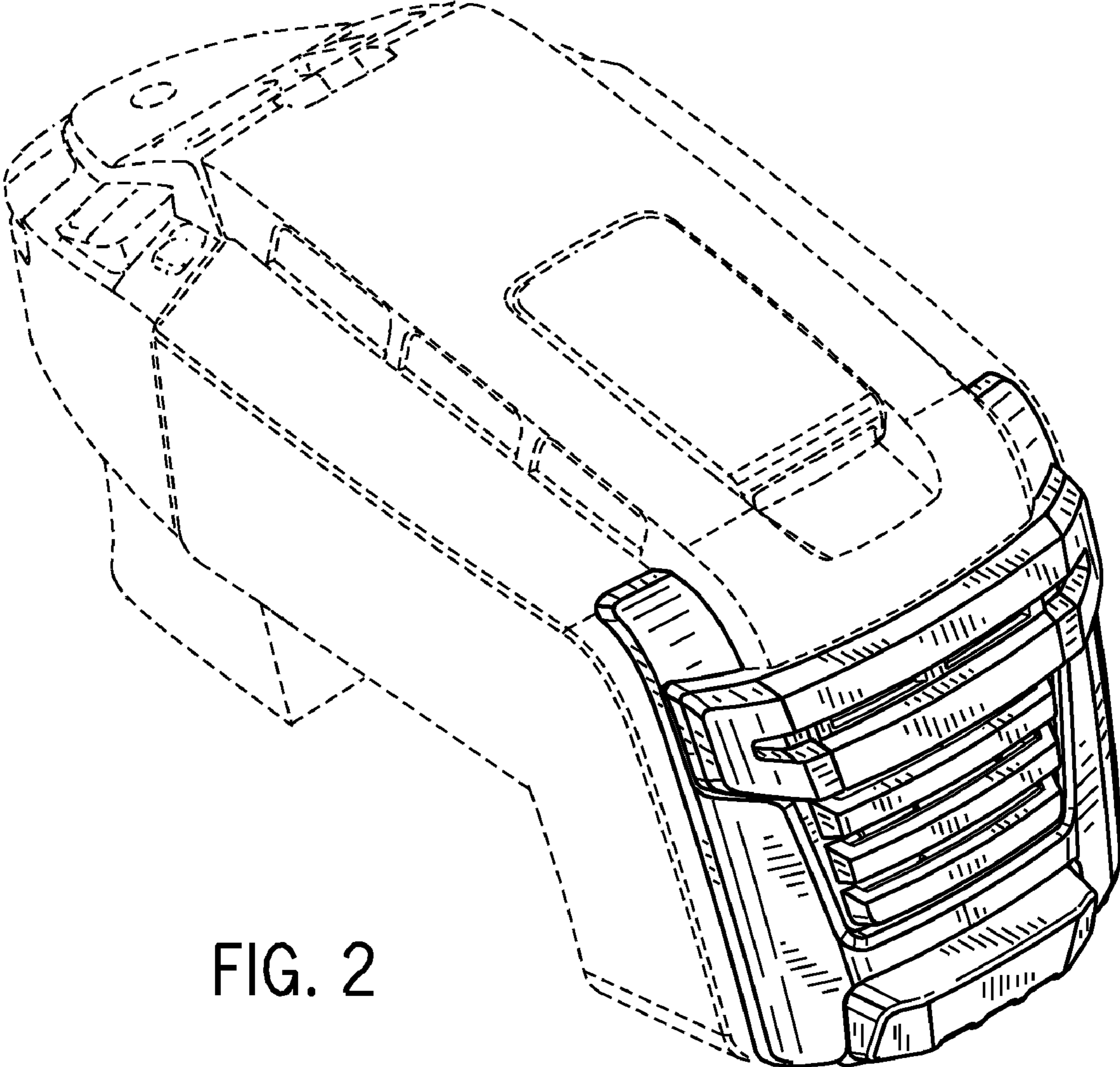


FIG. 2

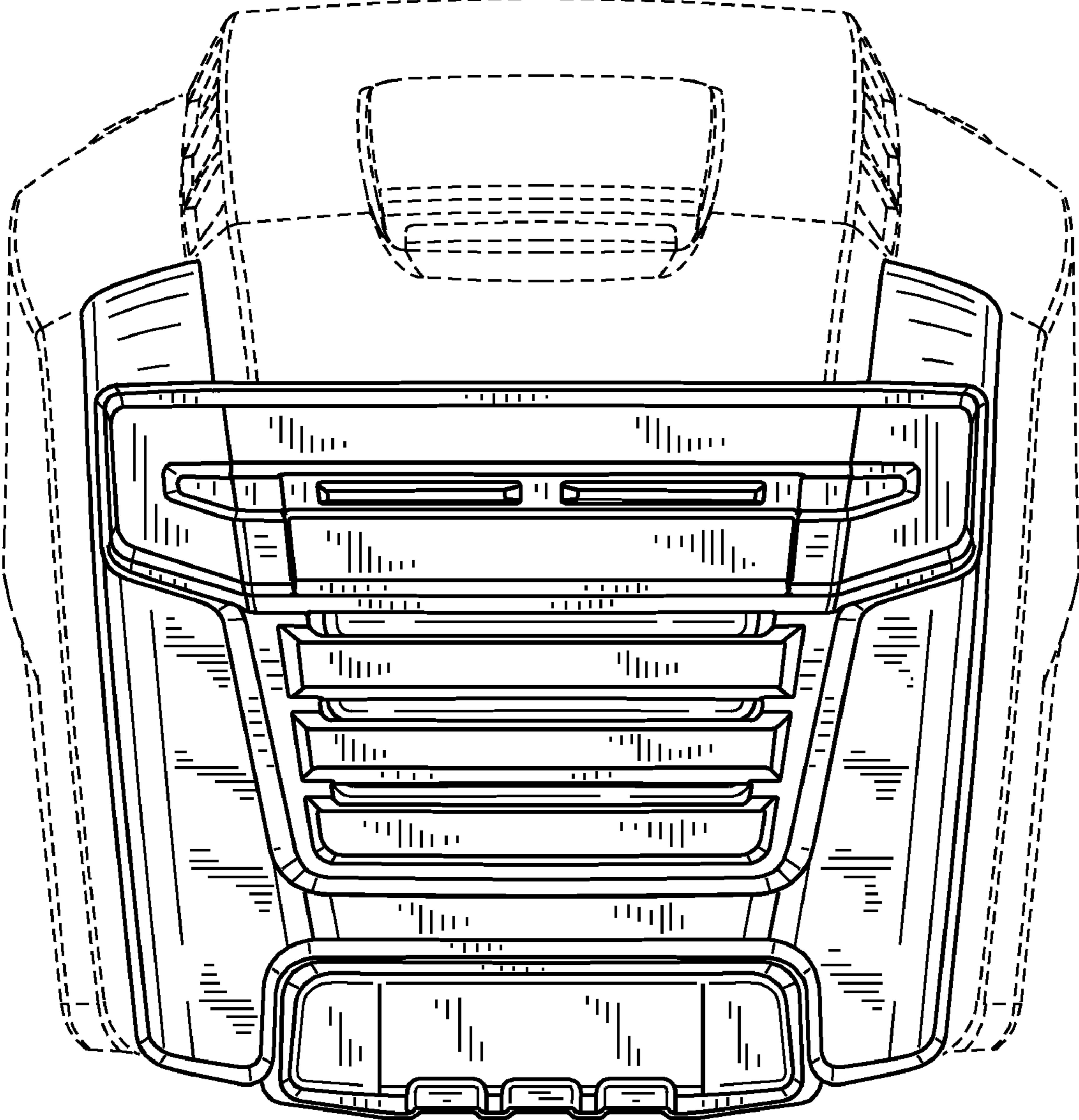


FIG. 3

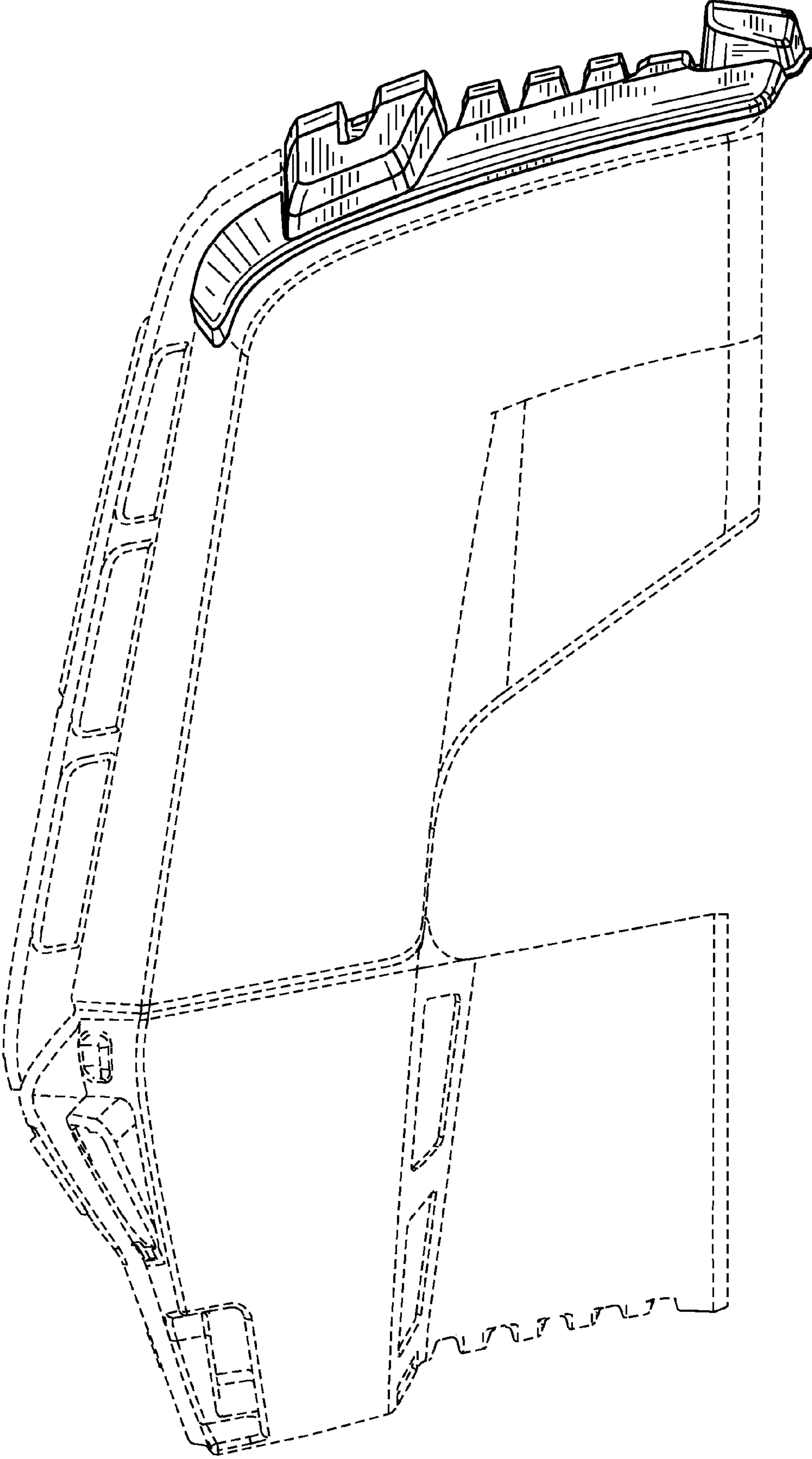


FIG. 4

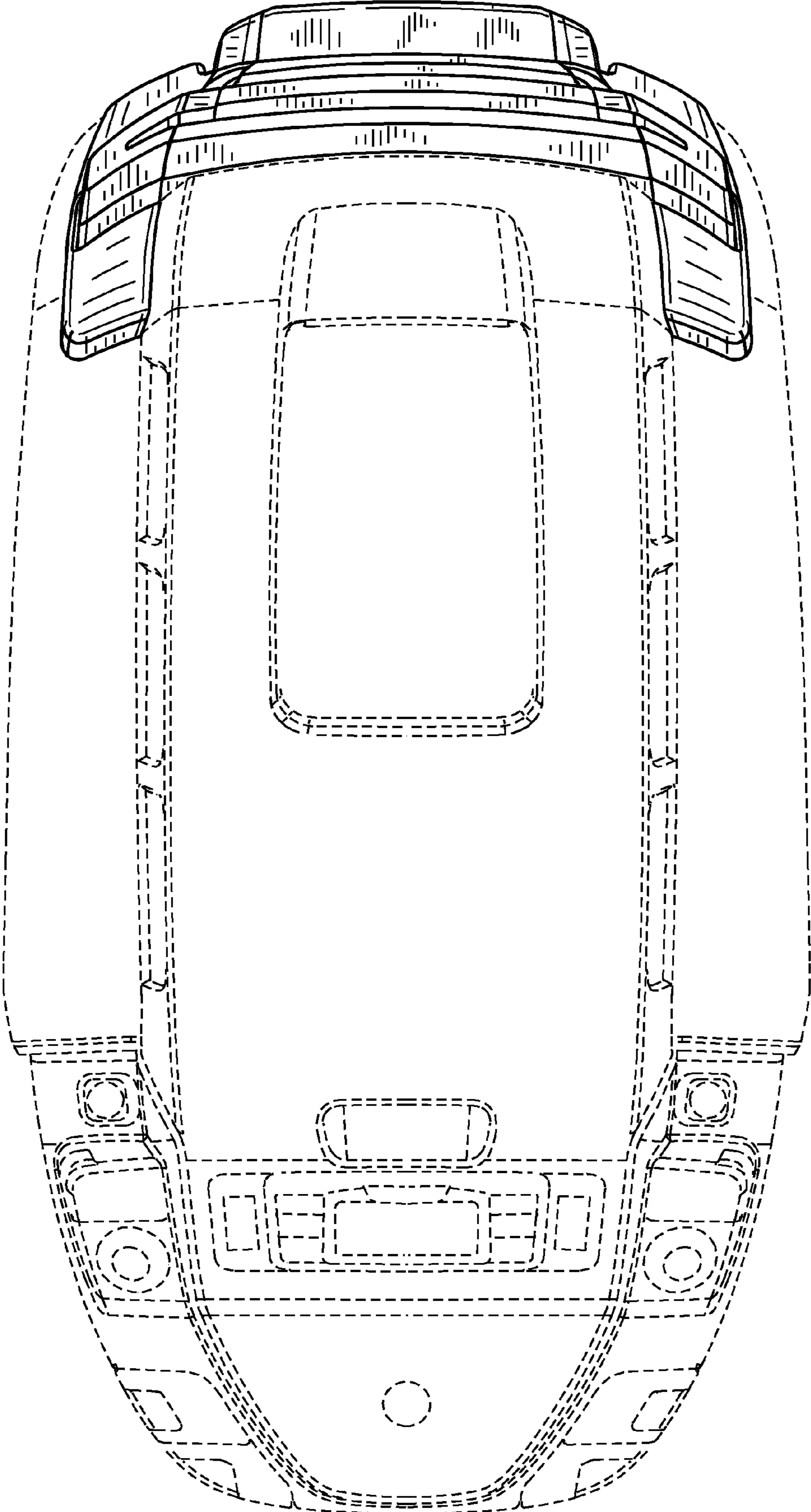


FIG. 5