



US00D622293S

(12) **United States Design Patent**
Drenth et al.

(10) **Patent No.:** **US D622,293 S**

(45) **Date of Patent:** **** *Aug. 24, 2010**

(54) **SPEARHEAD**

3,340,939 A * 9/1967 Lindelof 175/246
3,346,059 A * 10/1967 Svendsen 175/246

(75) Inventors: **Christopher L Drenth**, Draper, UT
(US); **George Ibrahim**, Mississauga
(CA); **Sacha Tillack**, North Bay (CA)

(Continued)

FOREIGN PATENT DOCUMENTS

(73) Assignee: **Longyear TM, Inc.**, South Jordan, UT
(US)

WO 97/08379 3/1997

(Continued)

(**) Term: **14 Years**

OTHER PUBLICATIONS

(21) Appl. No.: **29/352,055**

International Search Report mailed Dec. 22, 2009 from PCT Appli-
cation No. PCT/US2009/044147 (3 pages).

(22) Filed: **Dec. 15, 2009**

(Continued)

Related U.S. Application Data

Primary Examiner—Mark A Goodwin

(63) Continuation of application No. 12/349,431, filed on
Jan. 6, 2009.

(74) *Attorney, Agent, or Firm*—Workman Nydegger

(51) **LOC (9) Cl.** **15-03**

(52) **U.S. Cl.** **D15/21**

(58) **Field of Classification Search** D15/21;
175/57, 246, 58; 166/98, 99, 179, 206, 382;
294/86.1, 86.13, 86.34, 86.14, 86.15, 86.16,
294/86.24

See application file for complete search history.

(57) **CLAIM**

The ornamental design for a spearhead, as shown and
described.

DESCRIPTION

FIG. 1 is a perspective view of a spearhead showing our new
design;

FIG. 2 is another perspective view of the spearhead shown in
FIG. 1;

FIG. 3 is a front elevational view of the spearhead shown in
FIG. 1, the rear view being identical thereto;

FIG. 4 is a right side elevational view of the spearhead shown
in FIG. 1, the left side view being identical thereto;

FIG. 5 is a top plan view of the spearhead shown in FIG. 1;
and,

FIG. 6 is a bottom plan view of the spearhead shown in FIG.
1.

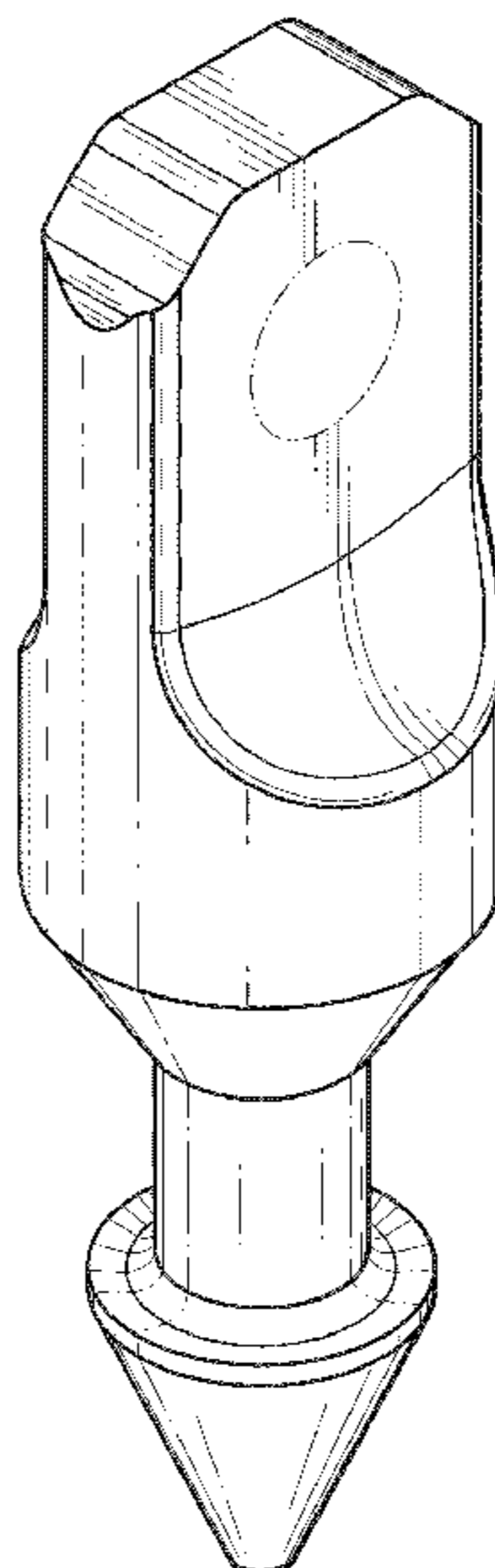
The phantom, broken lines shown in the drawings form part
of the design that is not claimed herein.

(56) **References Cited**

U.S. PATENT DOCUMENTS

- 311,157 A * 1/1885 Wheeler 175/293
- 2,333,802 A * 11/1943 Lowrey 294/86.13
- 2,347,726 A * 5/1944 Auld et al. 175/233
- 2,705,167 A * 3/1955 Layne et al. 294/86.14
- 2,905,438 A * 9/1959 Church 175/107
- 2,918,323 A * 12/1959 Coffee 294/65.5
- 3,103,981 A * 9/1963 Harper 175/236
- 3,127,943 A * 4/1964 Takeshi 175/246
- 3,173,719 A * 3/1965 Ringler 294/86.13
- 3,266,835 A * 8/1966 Hall et al. 294/86.24
- 3,305,033 A * 2/1967 Pickard et al. 175/246
- 3,333,647 A * 8/1967 Karich et al. 175/247

1 Claim, 2 Drawing Sheets



US D622,293 S

Page 2

U.S. PATENT DOCUMENTS

3,373,826 A * 3/1968 Ingram 175/5
3,461,981 A * 8/1969 Linn et al. 175/246
3,990,524 A * 11/1976 Sweeney 175/246
4,281,725 A 8/1981 Runk
4,591,197 A * 5/1986 Akkerman 294/86.24
4,800,969 A * 1/1989 Thompson 175/246
4,944,543 A * 7/1990 Walsh 294/86.29
5,020,612 A * 6/1991 Williams 175/234
5,201,814 A * 4/1993 Kitchell et al. 166/65.1
5,267,620 A * 12/1993 Lee 175/230
5,325,930 A 7/1994 Harrison
5,339,915 A * 8/1994 Laporte et al. 175/244
5,392,851 A * 2/1995 Arend 166/65.1
D399,462 S 10/1998 Toffolo et al.
D413,126 S * 8/1999 Warren et al. D15/21
5,934,393 A 8/1999 Marshall
5,992,543 A * 11/1999 Soinski et al. 175/58
6,019,181 A * 2/2000 Soinski et al. 175/58
6,029,758 A 2/2000 Novacovicci et al.
6,045,171 A 4/2000 McLeod et al.
6,059,053 A * 5/2000 McLeod 175/258
6,089,335 A 7/2000 Able
6,109,373 A 8/2000 Able
D434,707 S 12/2000 Bauer
6,425,449 B1 7/2002 Marshall
D468,753 S * 1/2003 Fergusson D15/21
D471,211 S * 3/2003 Sollami D15/21
7,296,638 B2 * 11/2007 Beach et al. 175/44
D563,287 S 3/2008 Falter et al.
D581,952 S * 12/2008 Hall et al. D15/21

7,584,055 B2 * 9/2009 Parfitt 702/9
2005/0034894 A1 * 2/2005 Beach et al. 175/44
2005/0269138 A1 12/2005 Beach
2007/0046051 A1 * 3/2007 Streater et al. 294/86.27
2009/0206620 A1 * 8/2009 Mcleod et al. 294/86.1
2009/0229884 A1 * 9/2009 Pardey 175/246
2009/0260882 A1 * 10/2009 Drenth 175/57
2009/0028332 A1 * 11/2009 Able et al. 175/246
2009/0283327 A1 11/2009 Drenth et al.
2010/0012383 A1 * 1/2010 Drenth 175/246

FOREIGN PATENT DOCUMENTS

WO 2004018831 3/2004
WO 2006128235 12/2006
WO 2009140597 11/2009

OTHER PUBLICATIONS

Notice of Allowance dated Feb. 22, 2010 from U.S. Appl. No. 29/352,049 (14 pages).
Office Action dated Feb. 18, 2010 from U.S. Appl. No. 29/352,115 (12 pages).
Office Action dated Feb. 18, 2010 from U.S. Appl. No. 29/352,117 (15 pages).
Notice of Allowance dated Apr. 28, 2010 from U.S. Appl. No. 29/352,115, filed Dec. 16, 2009 (6 pages).
Notice of Allowance dated May 10, 2010 from U.S. Appl. No. 29/352,049, filed Dec. 15, 2009 (18 pages).
Notice of Allowance dated May 18, 2010 from U.S. Appl. No. 29/352,117, filed Dec. 16, 2009 (6 pages).

* cited by examiner

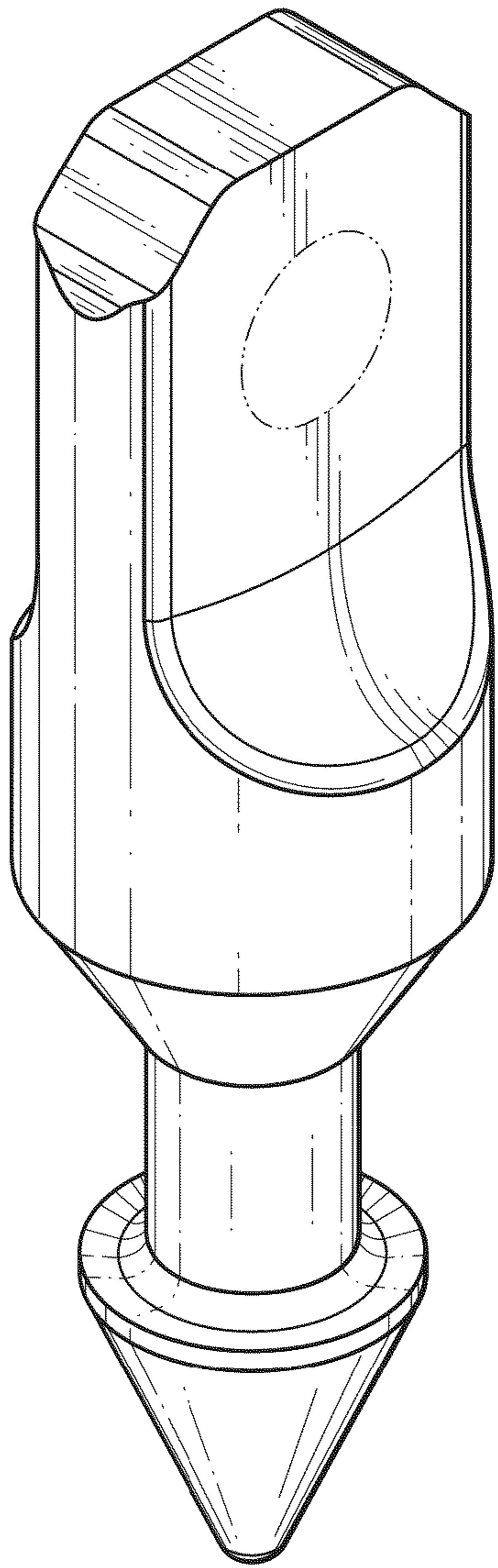


FIG. 1

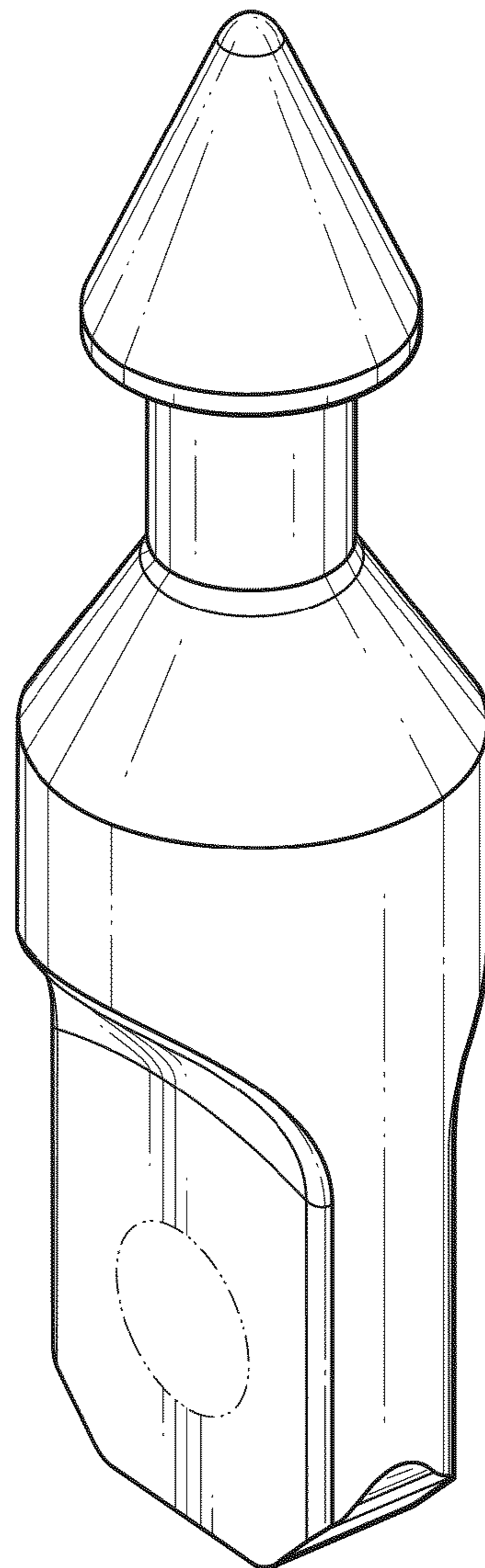


FIG. 2

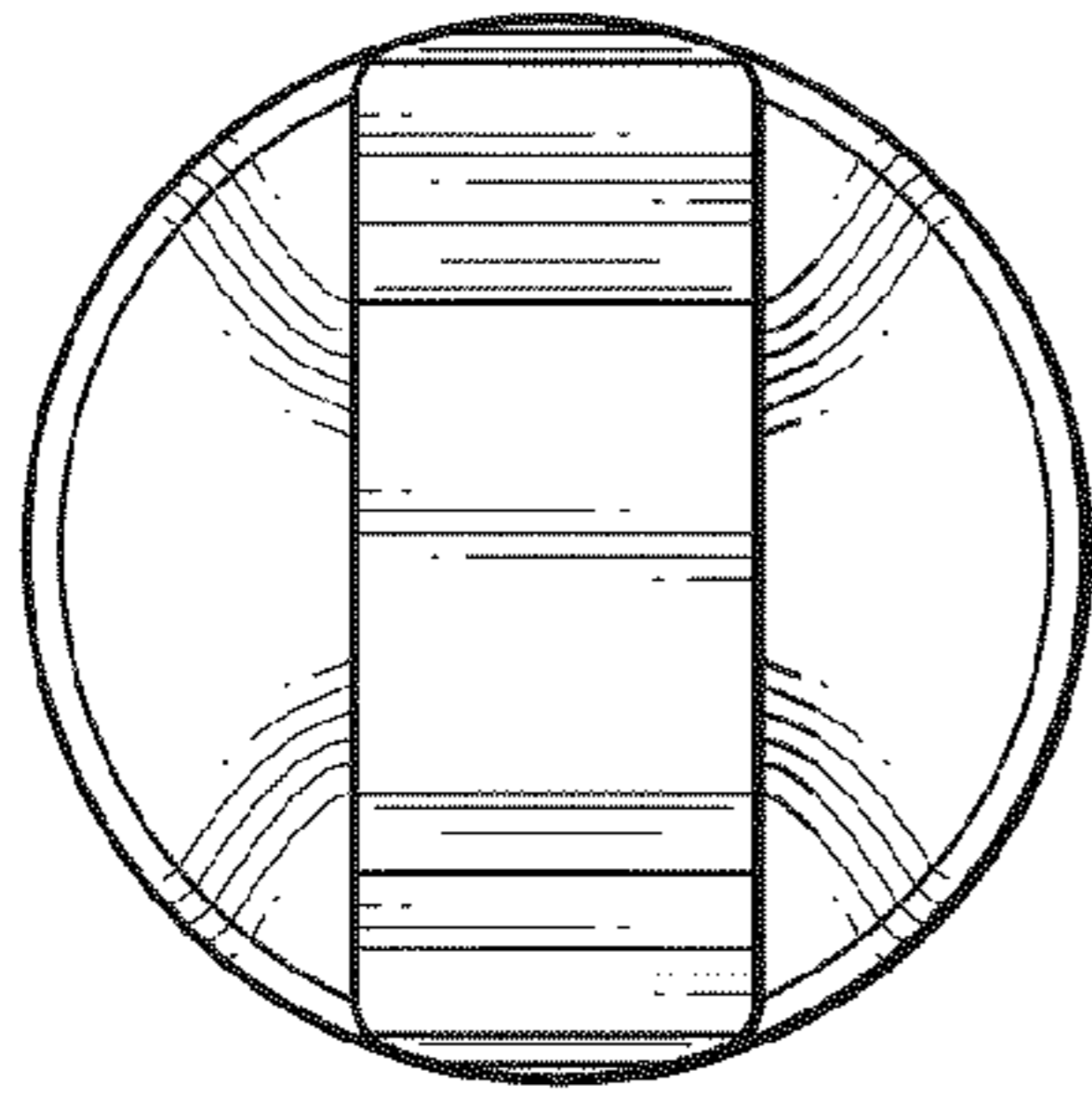


FIG. 5

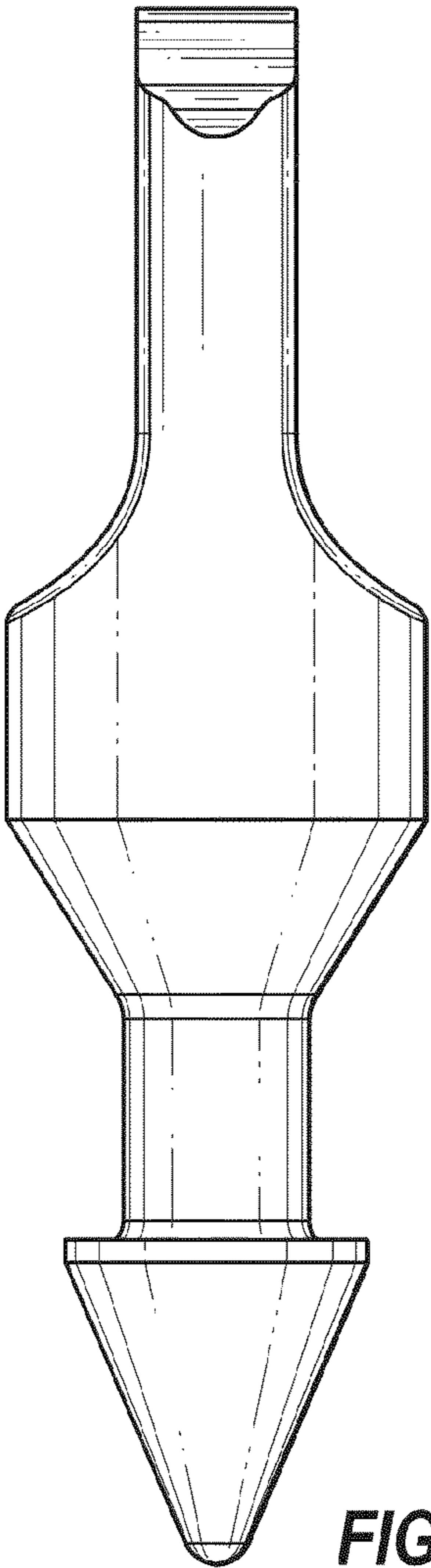


FIG. 3

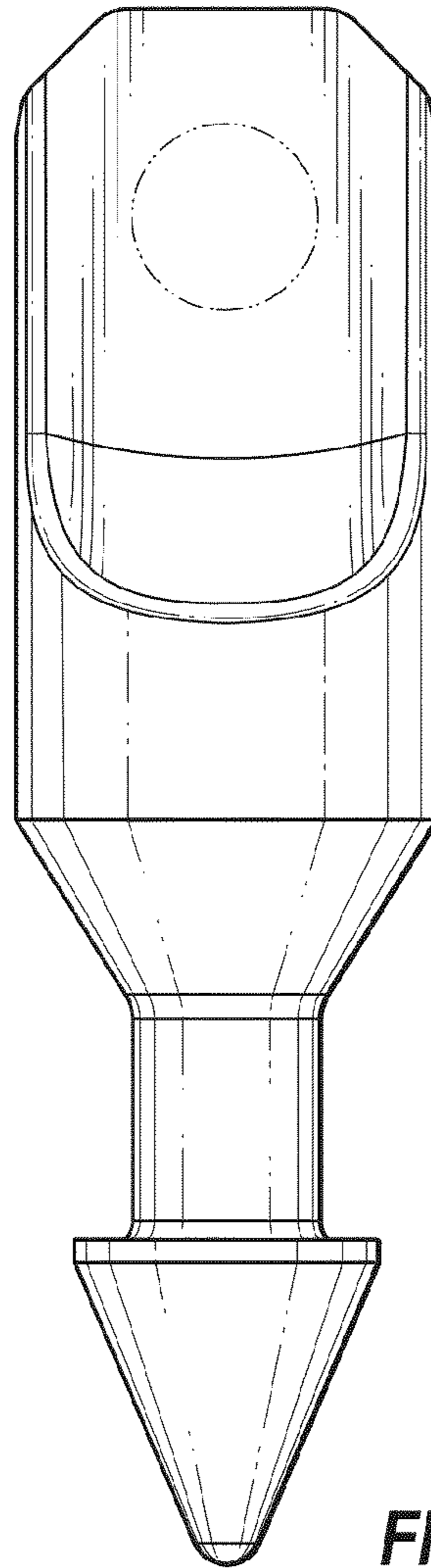


FIG. 4

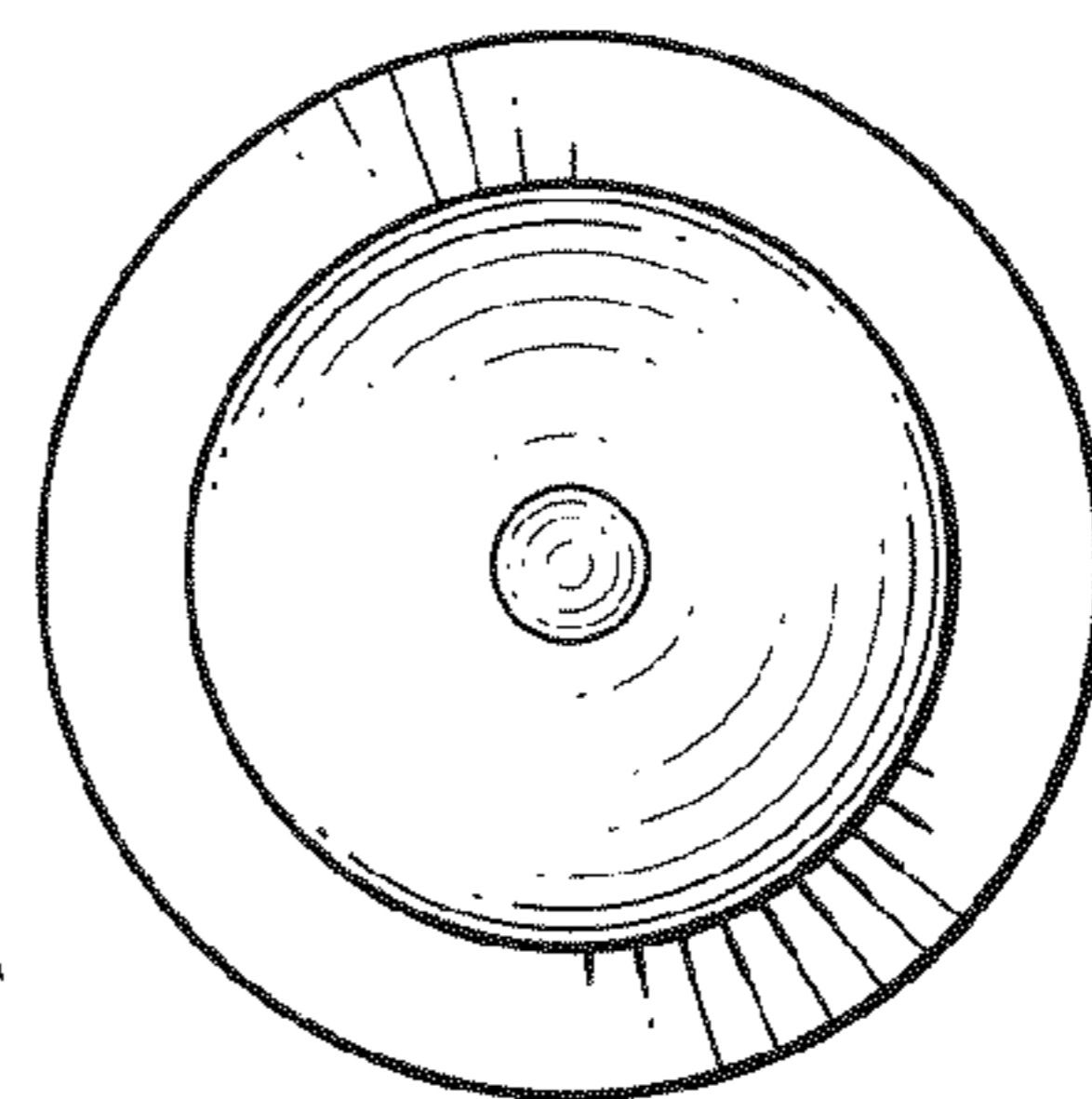


FIG. 6

UNITED STATES PATENT AND TRADEMARK OFFICE
CERTIFICATE OF CORRECTION

PATENT NO. : D622,293 S
APPLICATION NO. : 29/352055
DATED : August 24, 2010
INVENTOR(S) : Drenth et al.

Page 1 of 1

It is certified that error appears in the above-identified patent and that said Letters Patent is hereby corrected as shown below:

Title Page

Item 56, References Cited, U.S. PATENT DOCUMENTS, Page 2, Right Hand Column, change the reference "2009/0028332 A1* 11/2009 Able et al. 175/246" to --2009/0283329 A1* 11/2009 Able et al.175/246--

Signed and Sealed this
Twenty-eighth Day of December, 2010



David J. Kappos
Director of the United States Patent and Trademark Office