



US00D622292S

(12) **United States Design Patent**  
**Ryczek et al.**

(10) **Patent No.:** **US D622,292 S**

(45) **Date of Patent:** **\*\* Aug. 24, 2010**

(54) **LAWN TRACTOR**

(75) Inventors: **Stephen J. Ryczek**, Hartland, WI (US);  
**Erik R. Slegelis**, Port Washington, WI  
(US); **Dennis Hiller**, Random Lake, WI  
(US); **Samuel Gerrits**, Pewaukee, WI  
(US)

(73) Assignee: **Briggs & Stratton Corporation**,  
Wauwatosa, WI (US)

(\*\*) Term: **14 Years**

(21) Appl. No.: **29/356,836**

(22) Filed: **Mar. 3, 2010**

(51) **LOC (9) Cl.** ..... **15-03**

(52) **U.S. Cl.** ..... **D15/15**

(58) **Field of Classification Search** ..... D15/10,  
D15/14-17, 23, 26; 56/13.4, 13.3, 15.8,  
56/15.9, 16.1, 16.7, 175, 202; 180/89.1,  
180/89.12, 900

See application file for complete search history.

(56) **References Cited**

**U.S. PATENT DOCUMENTS**

D297,538 S *	9/1988	Ogasawara et al.	.....	D15/15
D310,374 S *	9/1990	Westimayer et al.	.....	D15/15
D312,260 S *	11/1990	Uemura	.....	D15/23
D314,777 S *	2/1991	Crabtree et al.	.....	D15/15
5,022,479 A	6/1991	Kiser et al.		
D345,166 S *	3/1994	Kamlukin et al.	.....	D15/15
D353,146 S *	12/1994	Yaguchi et al.	.....	D15/15
D354,756 S *	1/1995	Hinklin	.....	D15/15
D363,939 S *	11/1995	Kato et al.	.....	D15/15
D381,341 S	7/1997	Goebert et al.		
D410,012 S	5/1999	Goebert et al.		
D421,266 S *	2/2000	Hinklin	.....	D15/15
D422,606 S *	4/2000	Katoh et al.	.....	D15/23
D423,520 S *	4/2000	Smith	.....	D15/15
D438,546 S *	3/2001	Katoh et al.	.....	D15/23
D458,944 S	6/2002	Crookes et al.		
D466,531 S	12/2002	Hohnl et al.		
D473,570 S *	4/2003	Kuwae	.....	D15/15

6,684,616 B2	2/2004	Hornung		
6,889,490 B2	5/2005	Hornung		
D520,527 S	5/2006	Crookes et al.		
D532,021 S	11/2006	Kuwae et al.		
D537,455 S	2/2007	Kuwae et al.		
7,213,667 B2	5/2007	Goebert et al.		
D547,333 S *	7/2007	Nishi et al.	.....	D15/23

(Continued)

**OTHER PUBLICATIONS**

Pending U.S. Appl. No. 29/354,863, "Lawn Tractor Grill", Stephen J. Ryczek et al., filed Jan. 29, 2010.

(Continued)

*Primary Examiner*—Mark A Goodwin

(74) *Attorney, Agent, or Firm*—Andrus, Scales, Starke & Sawall, LLP

(57) **CLAIM**

The ornamental design of a lawn tractor, as shown and described.

**DESCRIPTION**

FIG. 1 is a top right front perspective view of a lawn tractor showing our new design;

FIG. 2 is a top plan view of the lawn tractor;

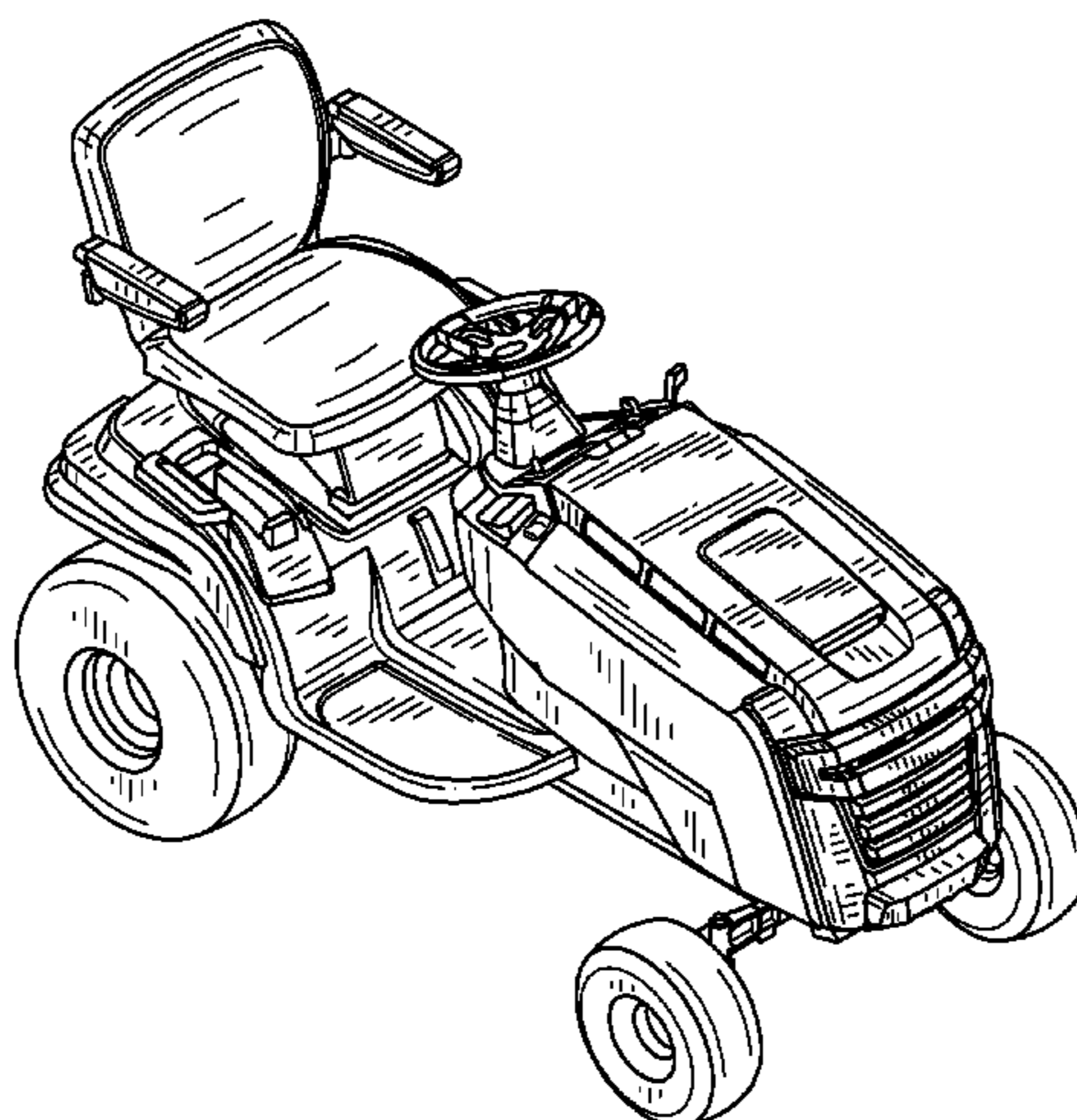
FIG. 3 is a right side elevation view of the lawn tractor;

FIG. 4 is a left side elevation view of the lawn tractor;

FIG. 5 is a front elevation view of the lawn tractor; and,

FIG. 6 is a rear elevation view of the lawn tractor.

**1 Claim, 5 Drawing Sheets**



# US D622,292 S

Page 2

---

## U.S. PATENT DOCUMENTS

D557,714 S 12/2007 Higashikawa  
D558,797 S \* 1/2008 Yamamoto et al. .... D15/26  
D558,799 S 1/2008 Higashikawa  
7,334,834 B2 2/2008 Hill et al.  
7,370,718 B2 5/2008 Witwer et al.  
D581,953 S \* 12/2008 Matsumoto et al. .... D15/23  
D581,955 S 12/2008 Matsumoto et al.

D598,473 S \* 8/2009 Ferrari ..... D15/15

## OTHER PUBLICATIONS

Pending U.S. Appl. No. 12/712,752, "Hood Assembly For A Lawn Tractor With Removable Cowl", Stephen J. Ryczek et al., filed Feb. 25, 2010.

\* cited by examiner

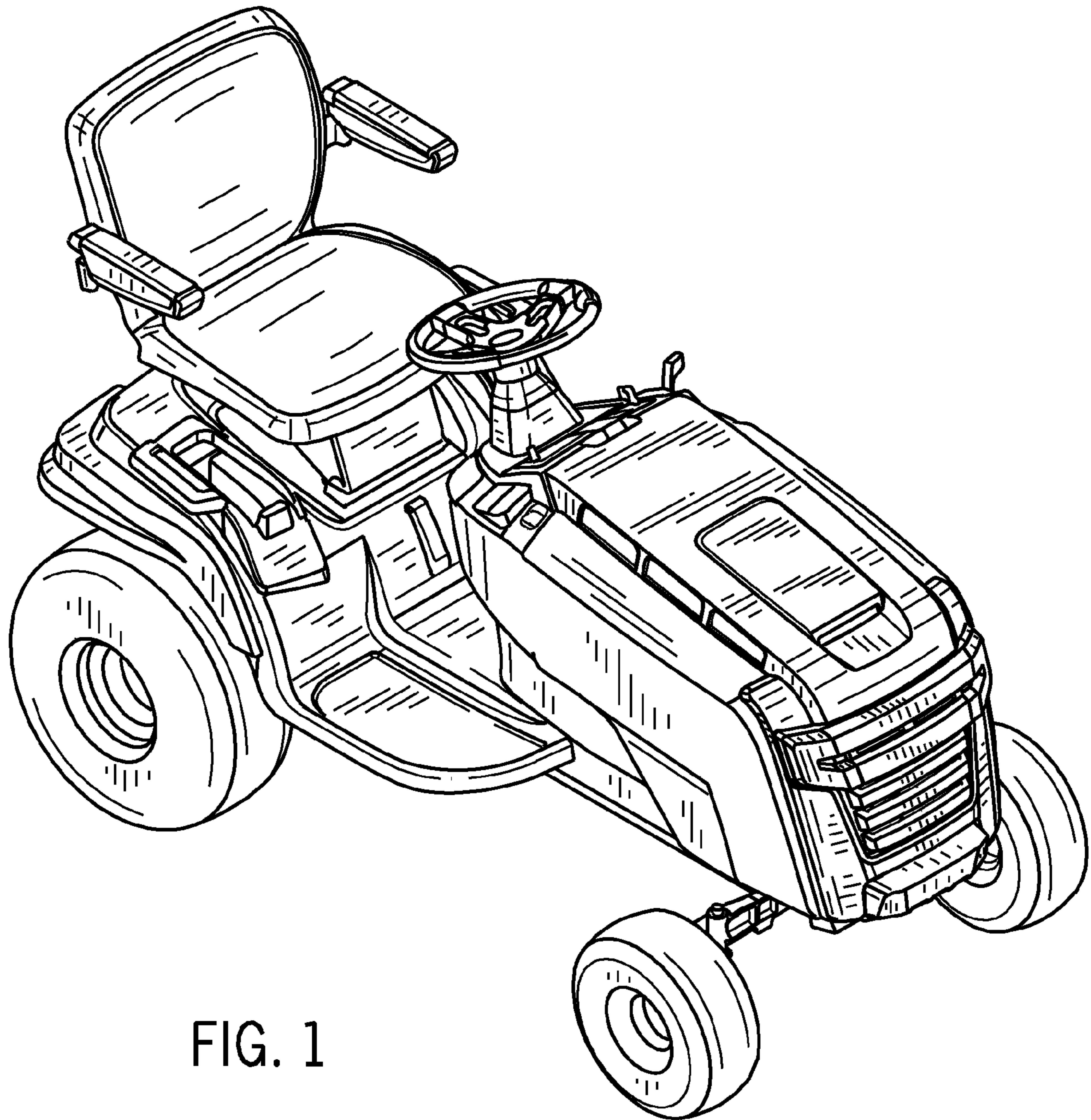


FIG. 1

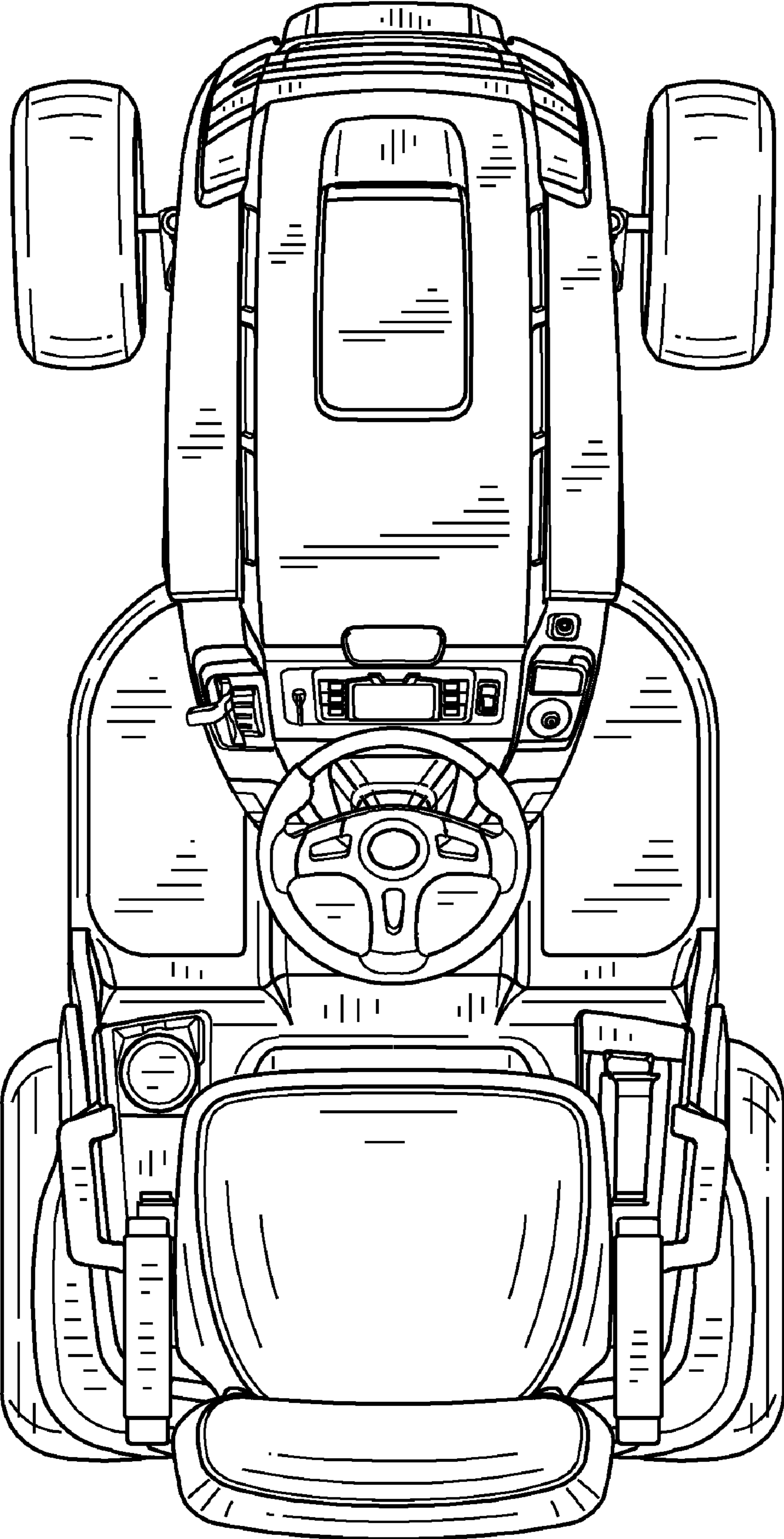


FIG. 2

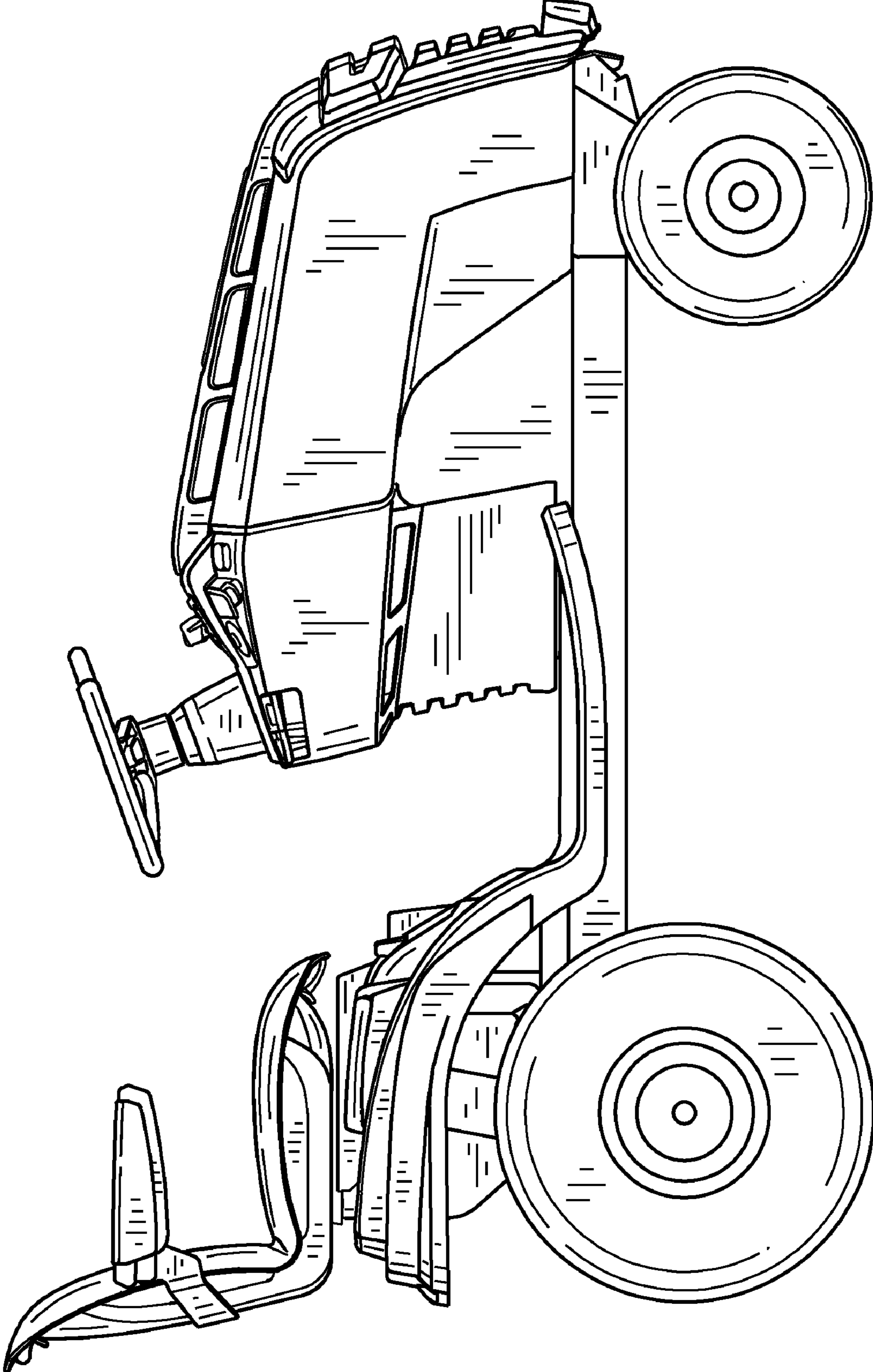


FIG. 3

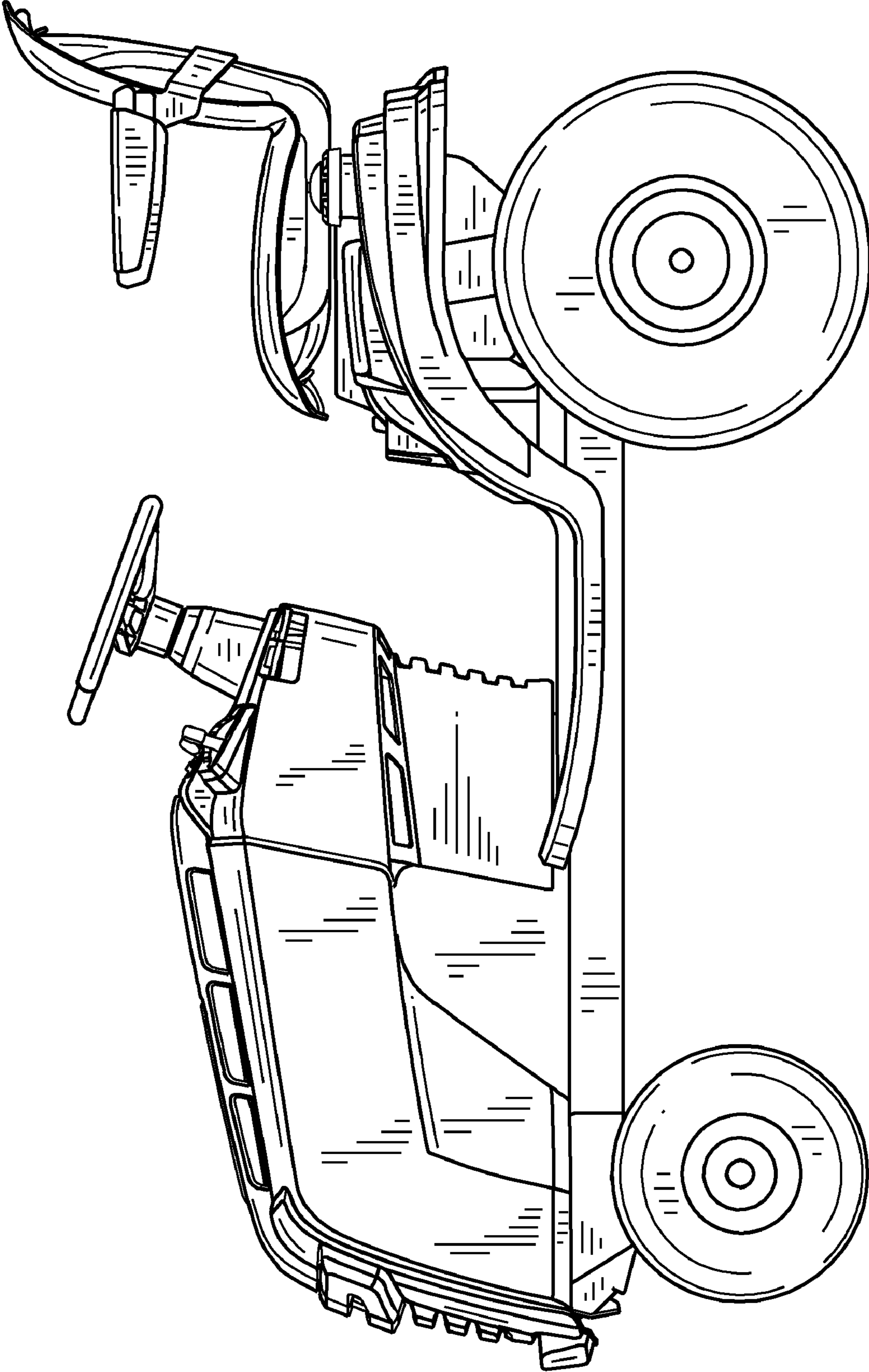


FIG. 4

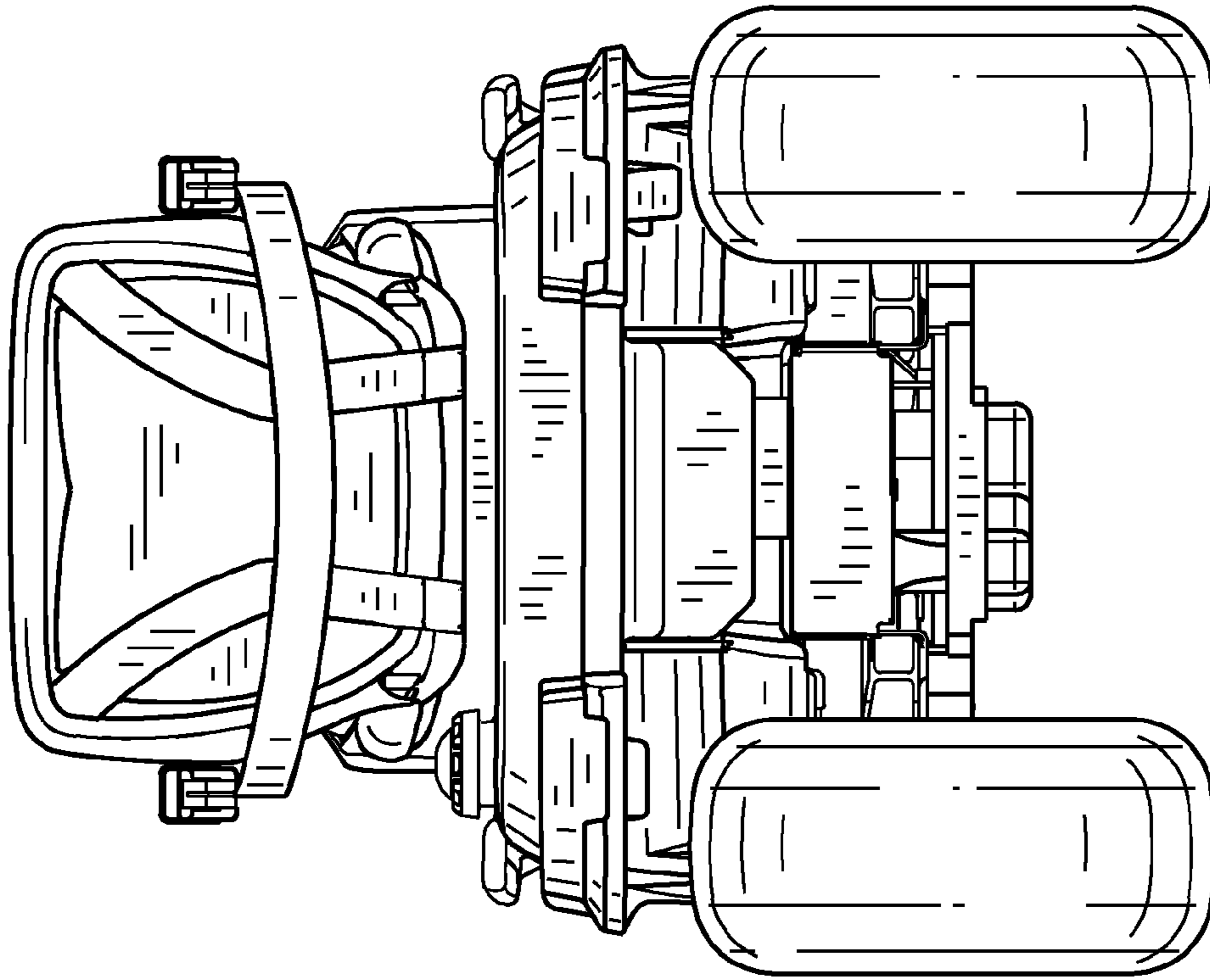


FIG. 6

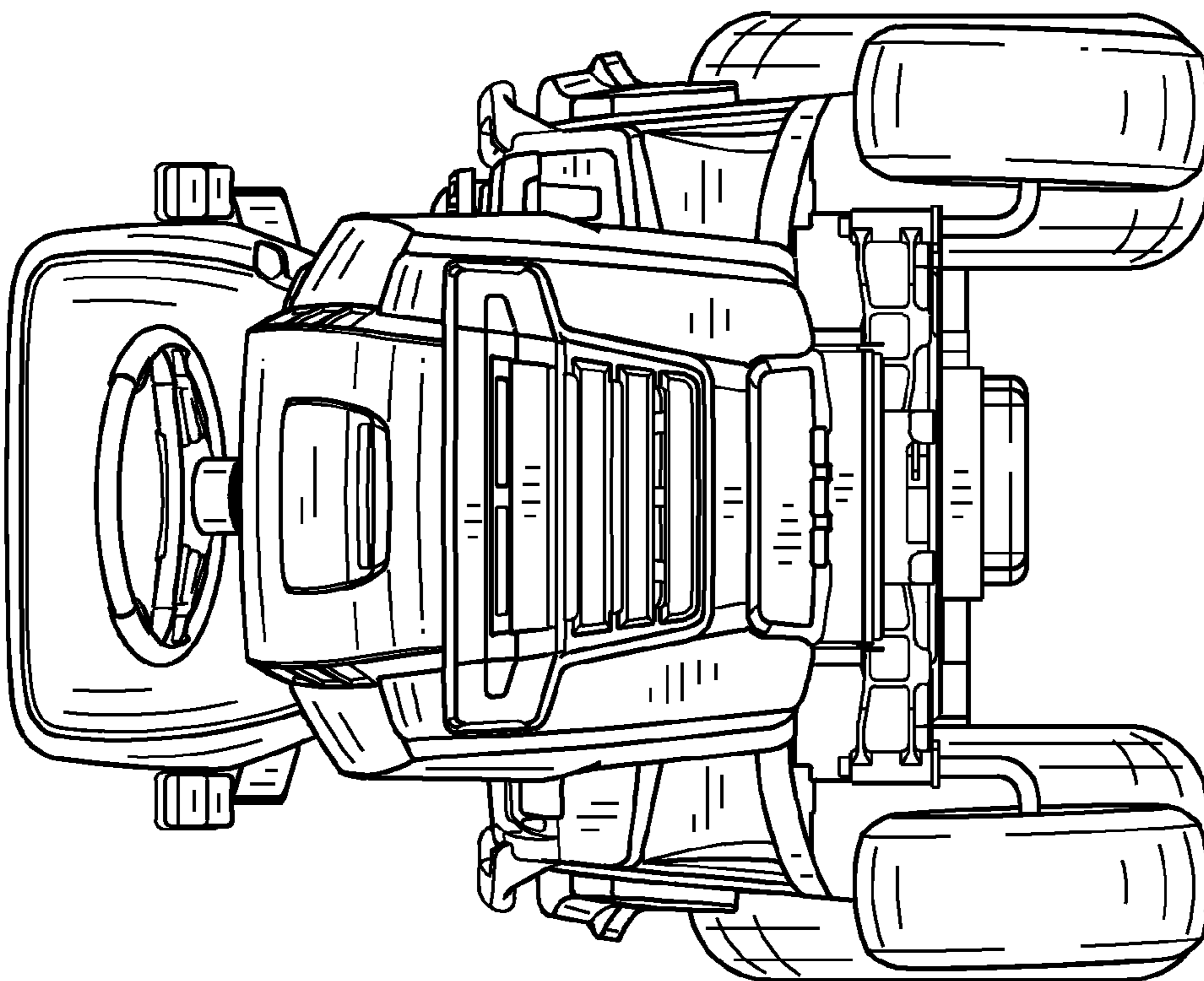


FIG. 5