



US00D622291S

(12) **United States Design Patent**
Martin et al.

(10) **Patent No.:** **US D622,291 S**

(45) **Date of Patent:** **** Aug. 24, 2010**

(54) **POWER LAWN MOWER**

(75) Inventors: **David J. Martin**, Eden Prairie, MN
(US); **Chris A. Wadzinski**, Inver Grove
Heights, MN (US)

(73) Assignee: **The Toro Company**, Bloomington, MN
(US)

(**) Term: **14 Years**

(21) Appl. No.: **29/348,858**

(22) Filed: **Feb. 16, 2010**

Related U.S. Application Data

(62) Division of application No. 29/327,946, filed on Nov.
14, 2008, now Pat. No. Des. 610,167.

(51) **LOC (9) Cl.** **15-03**

(52) **U.S. Cl.** **D15/14**

(58) **Field of Classification Search** D15/10,
D15/14-16; 56/11.9, 16.7, 17.1, 17.4, 17.5,
56/202, 254, 255, 320.1, 320.2, 294, 295,
56/12.8, 13.4, 11.4
See application file for complete search history.

(56) **References Cited**

U.S. PATENT DOCUMENTS

4,312,174 A * 1/1982 Vanderhoef 56/320.2
D274,250 S * 6/1984 Allen et al. D15/14
D276,047 S * 10/1984 Sasaki D15/14
D307,911 S * 5/1990 Miyawaki et al. D15/14
D317,165 S * 5/1991 Schweitz et al. D15/14

D319,447 S * 8/1991 Oshima et al. D15/14
D330,210 S * 10/1992 Sirois et al. D15/14
5,251,711 A * 10/1993 Meyer et al. 180/19.1
D381,665 S * 7/1997 Hinklin et al. D15/14
D384,083 S * 9/1997 Hinklin D15/14
5,676,117 A * 10/1997 Williams 123/527
D421,265 S * 2/2000 Ohsumi et al. D15/14
D449,840 S * 10/2001 Concari et al. D15/14
D450,064 S * 11/2001 Concari et al. D15/14
D456,030 S * 4/2002 Maeda D15/14
D460,973 S * 7/2002 Jong D15/14
D489,734 S * 5/2004 Lin D15/14
D497,918 S * 11/2004 Osborne et al. D15/14
D500,054 S * 12/2004 Jager D15/14

* cited by examiner

Primary Examiner—Mark A Goodwin

(74) *Attorney, Agent, or Firm*—James W. Miller

(57) **CLAIM**

The ornamental design for a power lawn mower, as shown and
described.

DESCRIPTION

FIG. 1 is a top left front perspective view of a power lawn
mower showing our new design;

FIG. 2 is an enlarged front elevational view thereof;

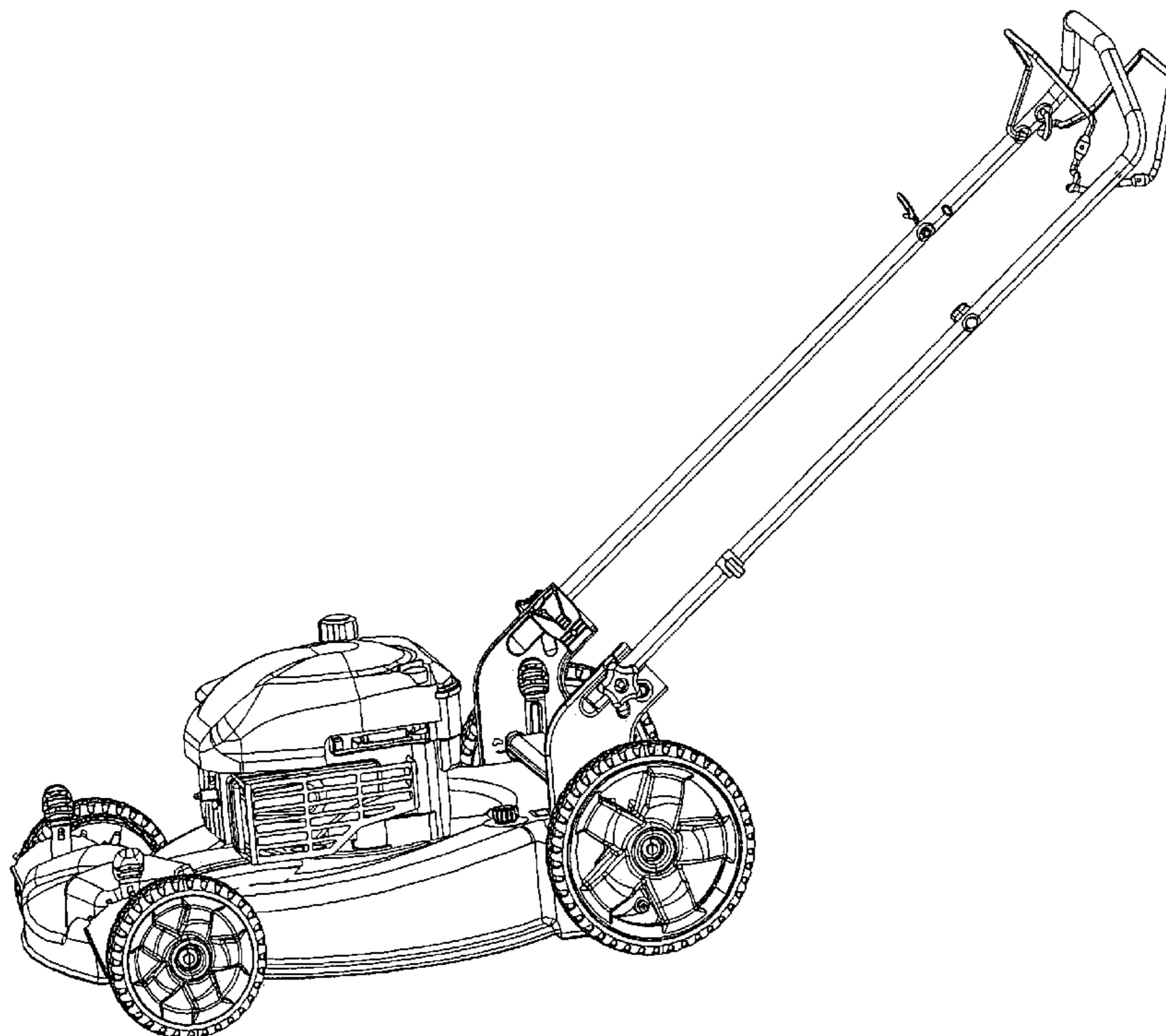
FIG. 3 is a reduced left elevational view thereof;

FIG. 4 is a reduced right elevational view thereof;

FIG. 5 is an enlarged back elevational view thereof; and,

FIG. 6 is a reduced top plan view thereof.

1 Claim, 6 Drawing Sheets



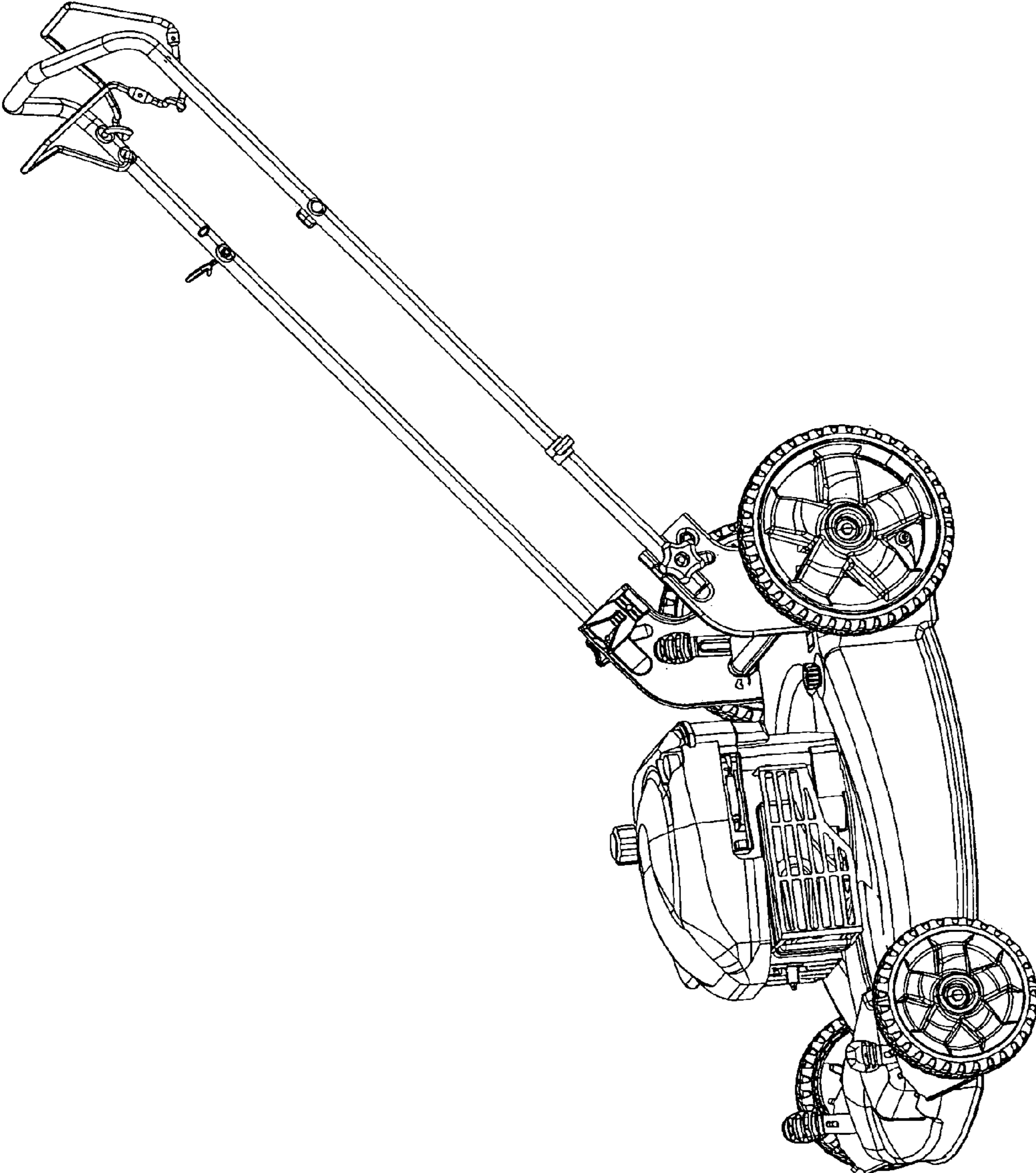


Fig. 1

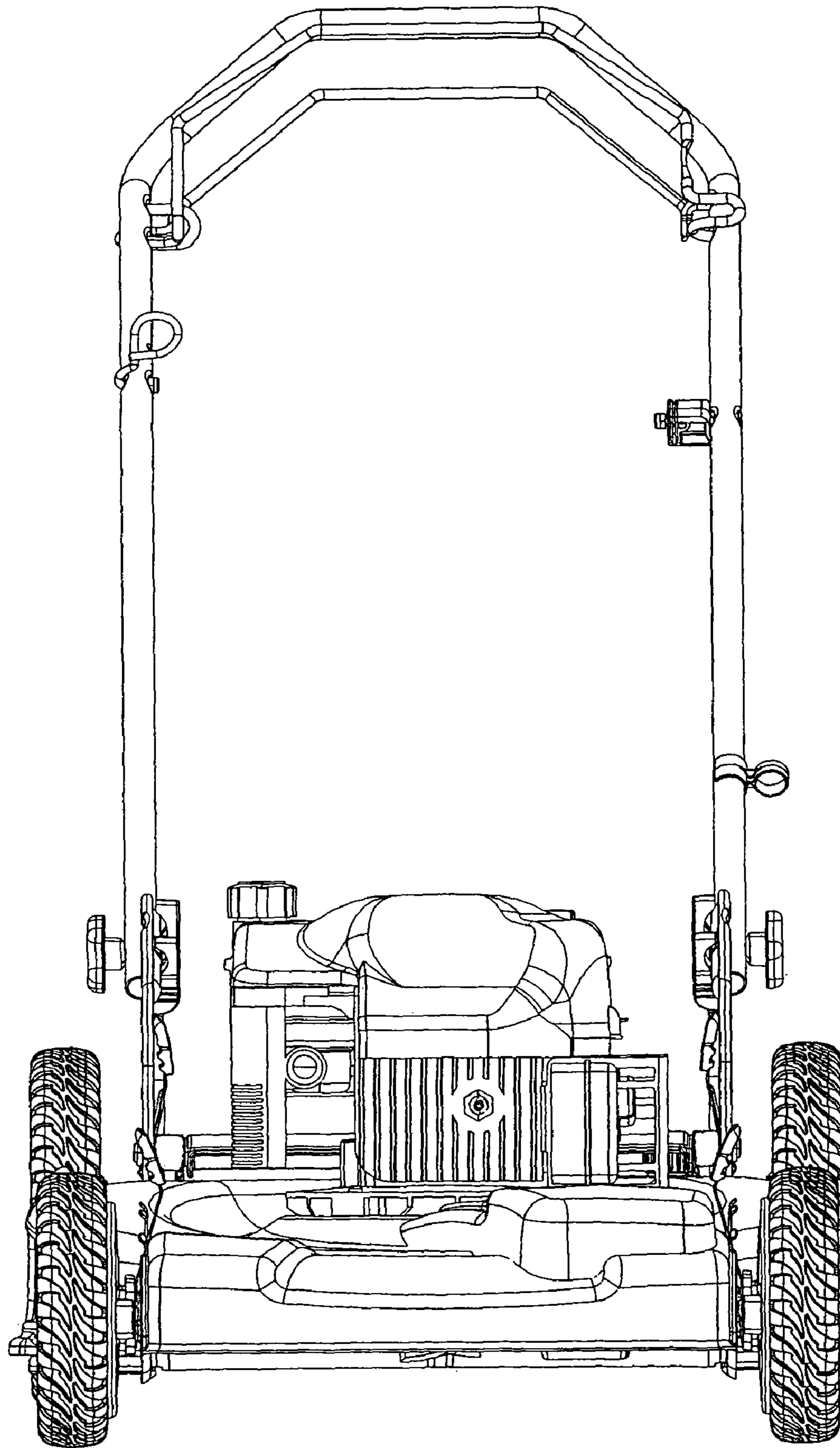


Fig. 2

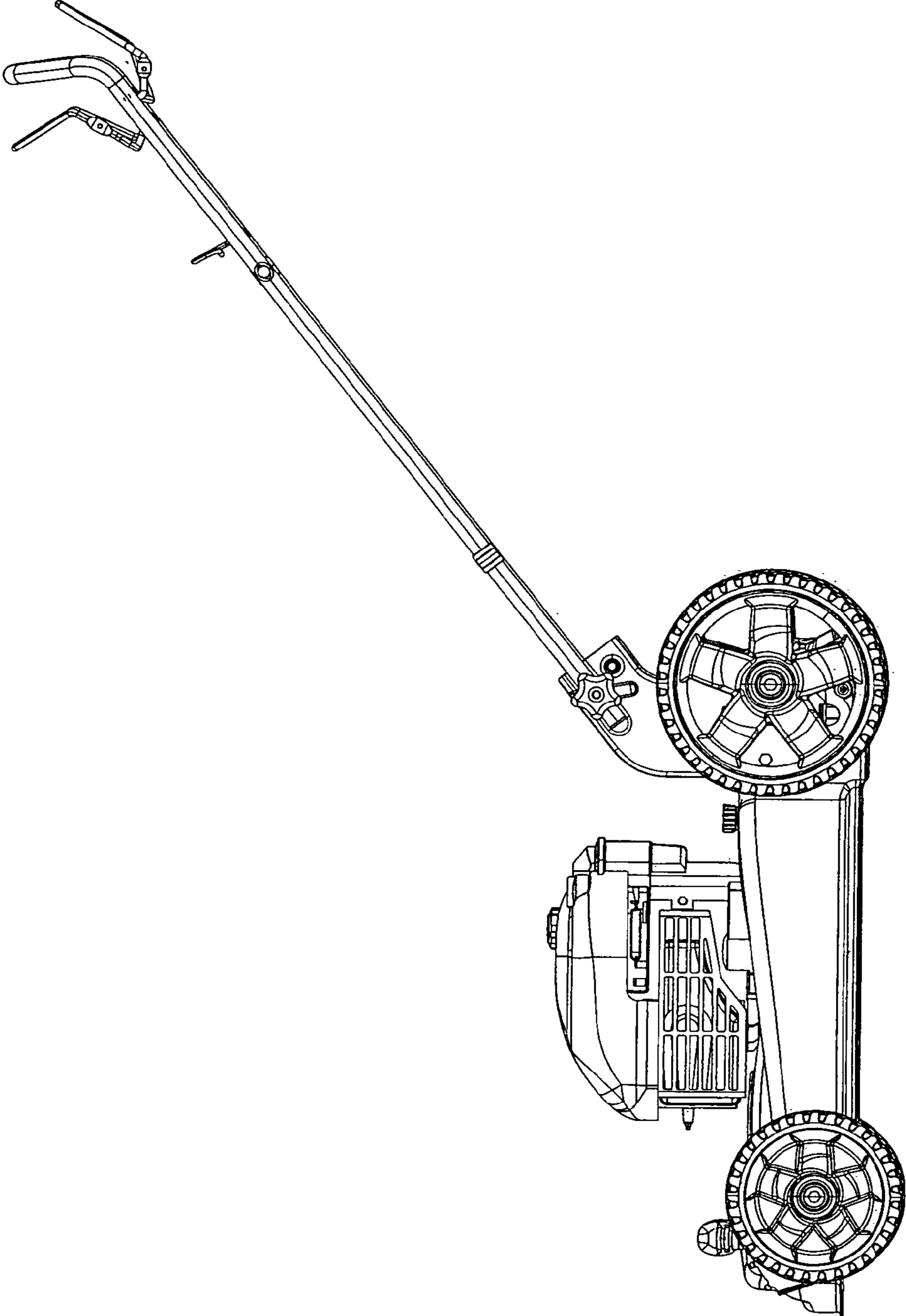


Fig. 3

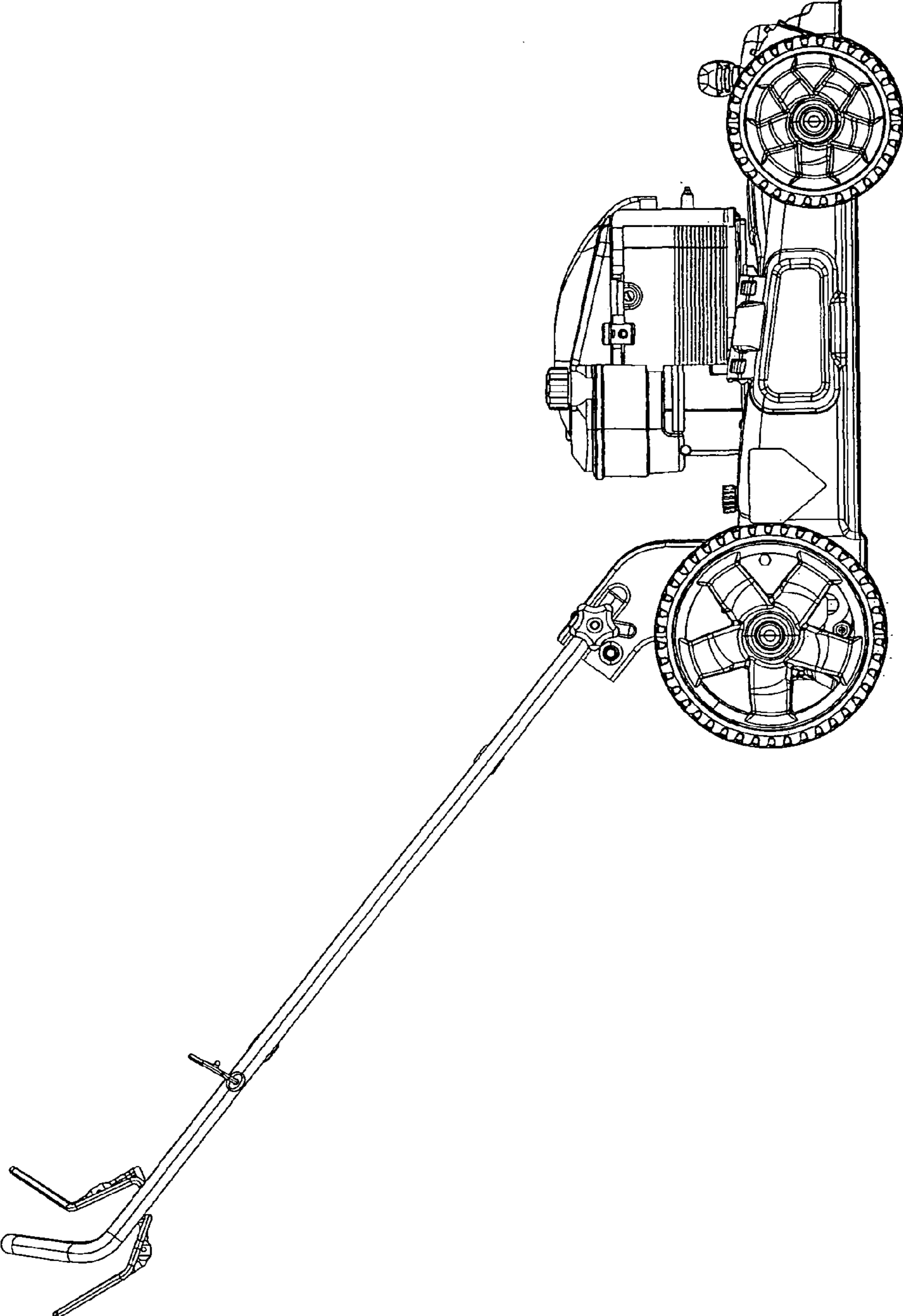


Fig. 4

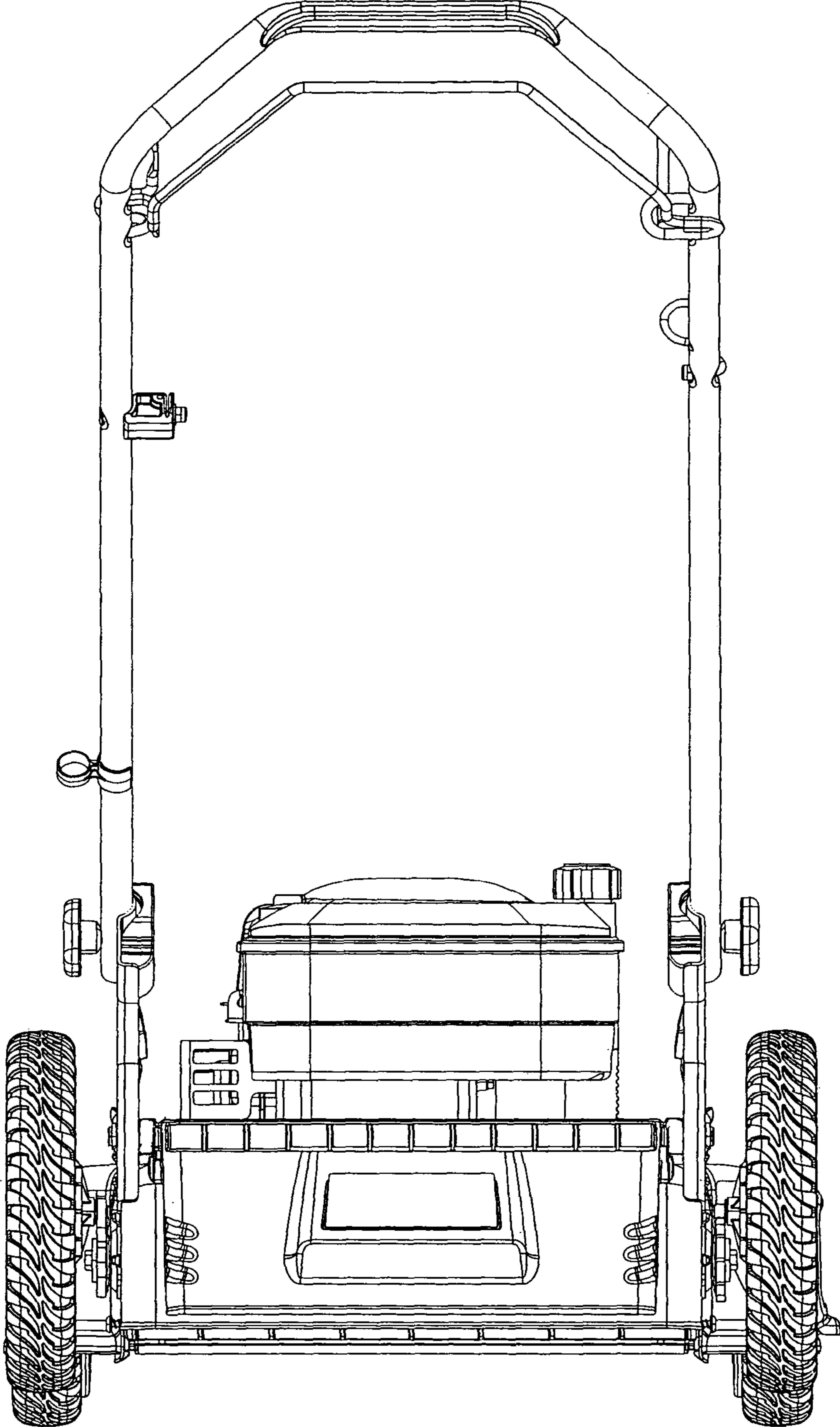


Fig. 5

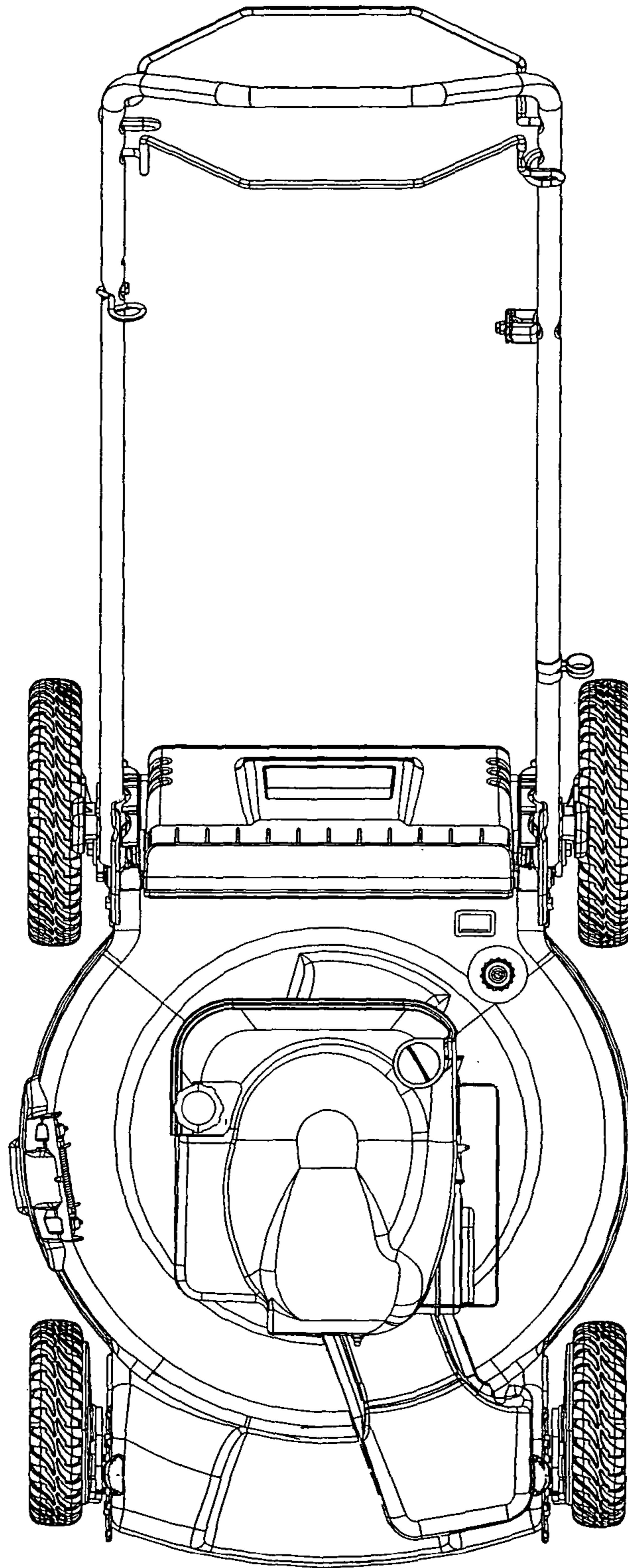


Fig. 6