



US00D622290S

(12) **United States Design Patent**
Chen

(10) **Patent No.:** **US D622,290 S**

(45) **Date of Patent:** **** Aug. 24, 2010**

(54) **SMALL AIR COMPRESSOR**

D595,471 S * 6/2009 Novis D34/28
D605,666 S * 12/2009 Moser D15/9

(75) Inventor: **Kwang-Tsan Chen**, Taipei (TW)

* cited by examiner

(73) Assignee: **Ding Hwa Co., Ltd.**, Taipei (TW)

Primary Examiner—Ralf Seifert

(**) Term: **14 Years**

(74) *Attorney, Agent, or Firm*—Muncy, Geissler, Olds & Lowe, PLLC

(21) Appl. No.: **29/345,123**

(57) **CLAIM**

(22) Filed: **Oct. 9, 2009**

The ornamental design for a small air compressor, as shown and described.

(51) **LOC (9) Cl.** **15-02**

(52) **U.S. Cl.** **D15/9**

(58) **Field of Classification Search** D15/7-9;
D23/231, 232, 225; 417/410.1, 359, 415-416,
417/234, 321, 265, 405

See application file for complete search history.

DESCRIPTION

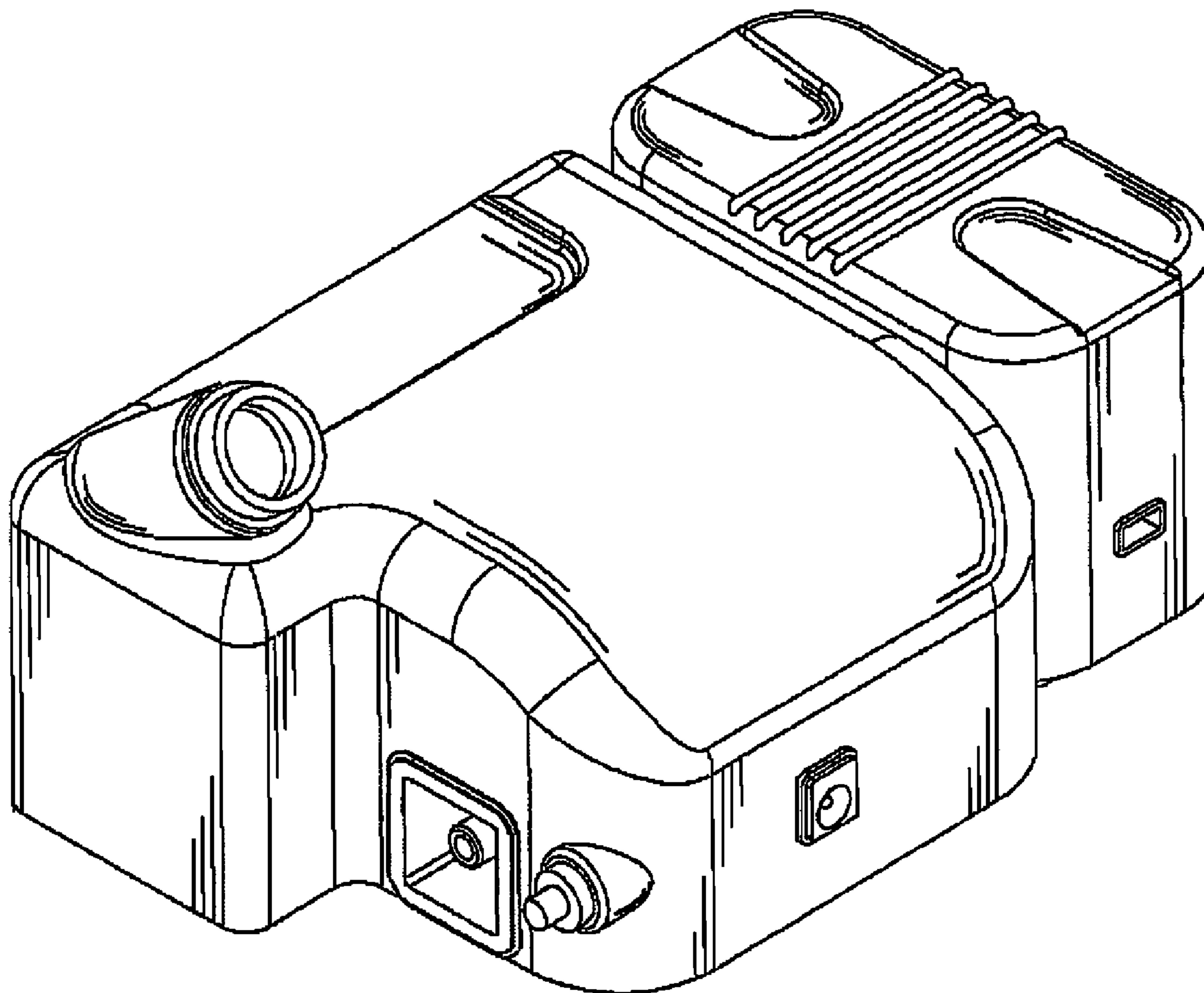
(56) **References Cited**

U.S. PATENT DOCUMENTS

D289,051 S * 3/1987 Belletire D15/7
D395,051 S * 6/1998 Bonzer D15/9
D499,426 S * 12/2004 Chou D15/7
D512,440 S * 12/2005 Wang D15/7

FIG. 1 is a perspective view of a small air compressor;
FIG. 2 is a front view thereof;
FIG. 3 is a back view thereof;
FIG. 4 is a left side view thereof;
FIG. 5 is a right side view thereof;
FIG. 6 is a top view thereof; and,
FIG. 7 is a bottom view thereof.

1 Claim, 7 Drawing Sheets



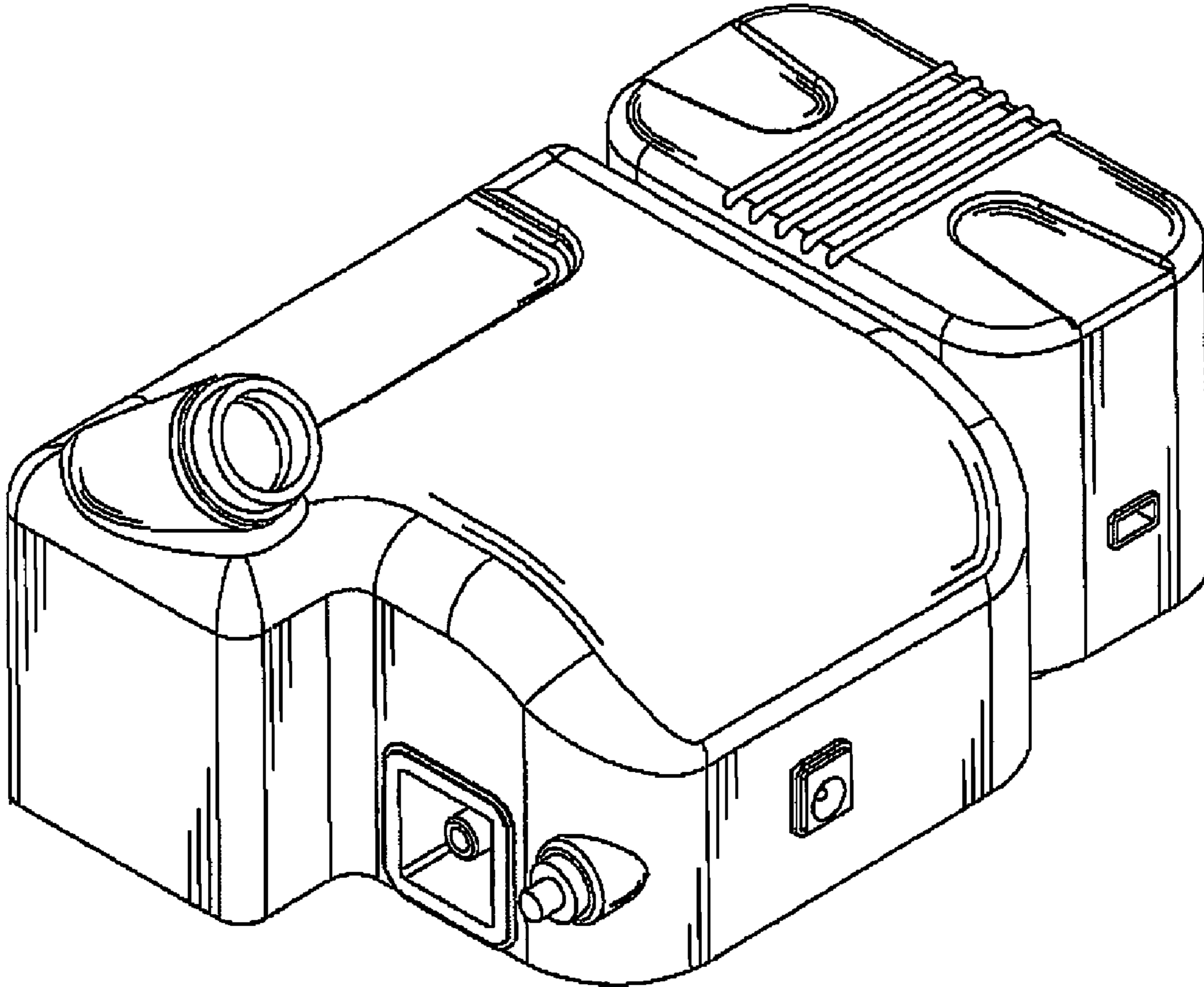


FIG. 1

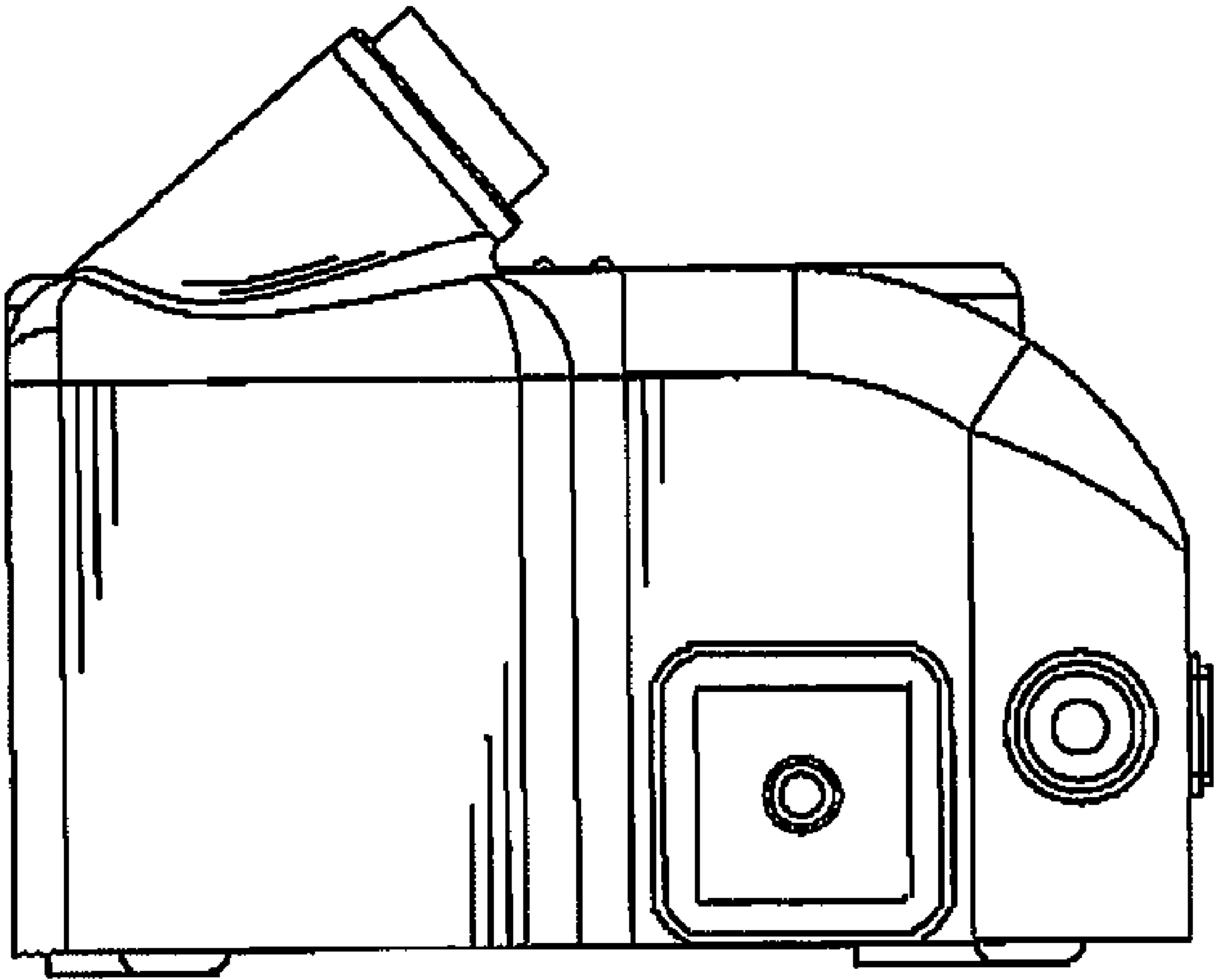


FIG. 2

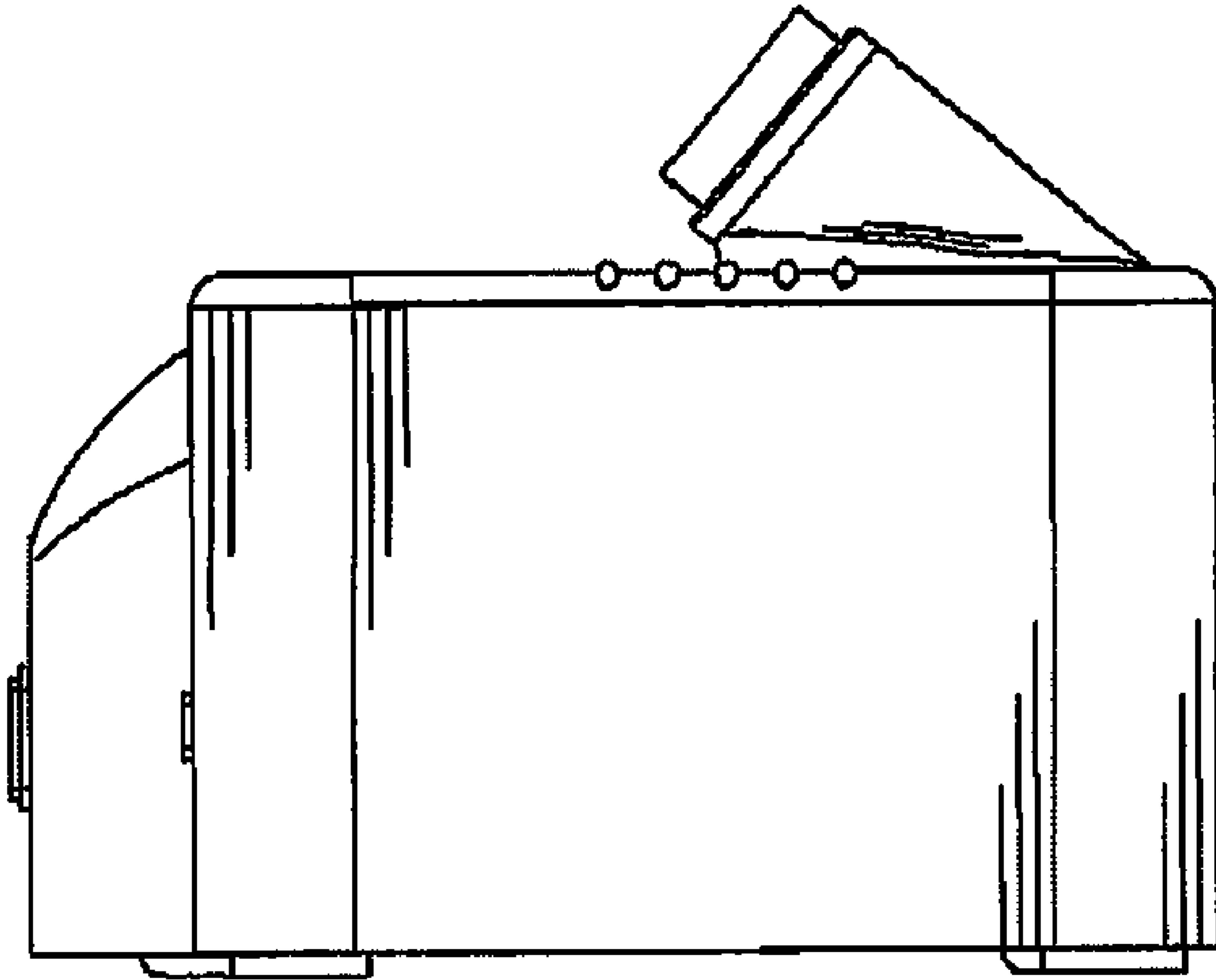


FIG. 3

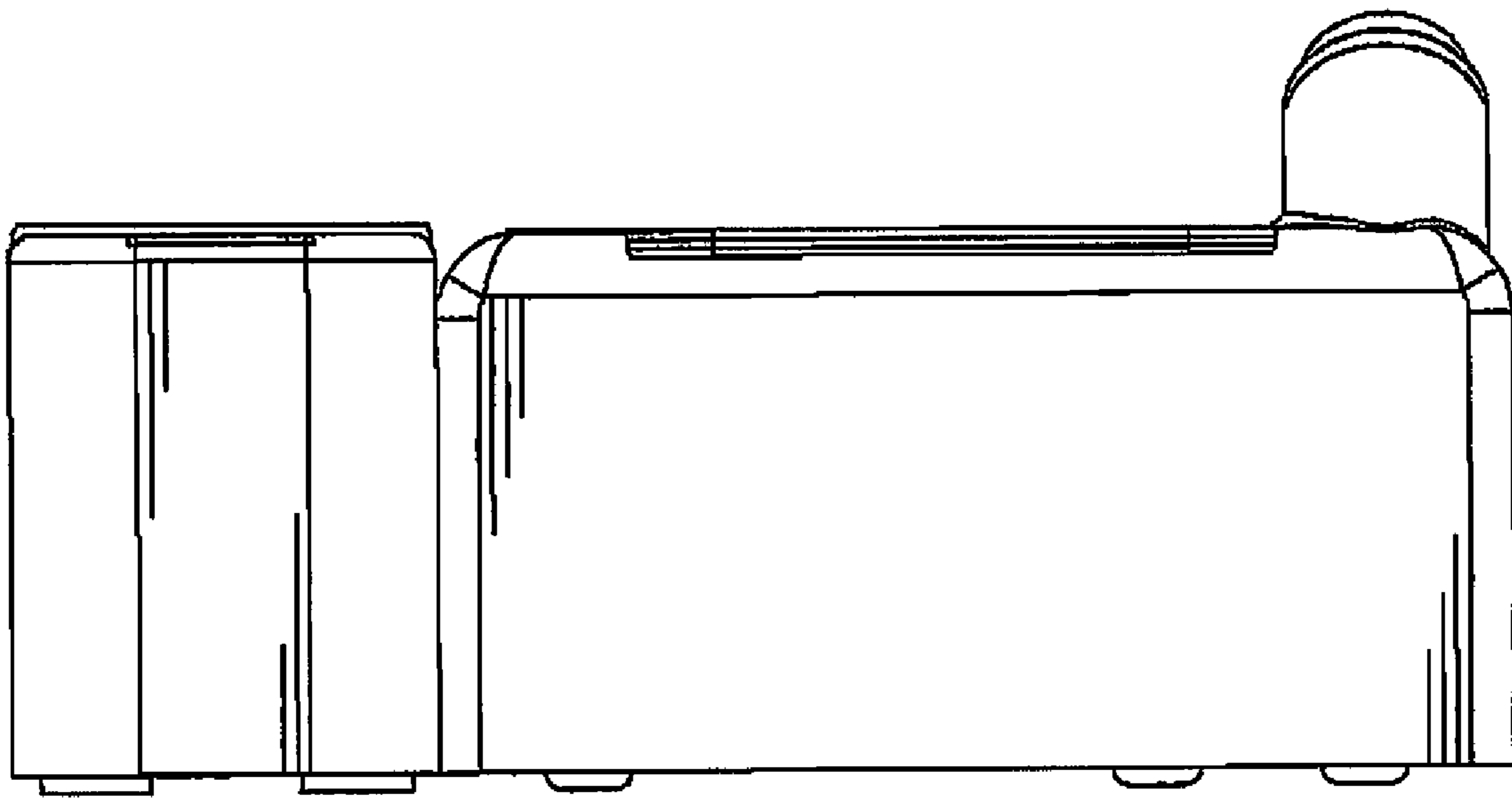


FIG. 4

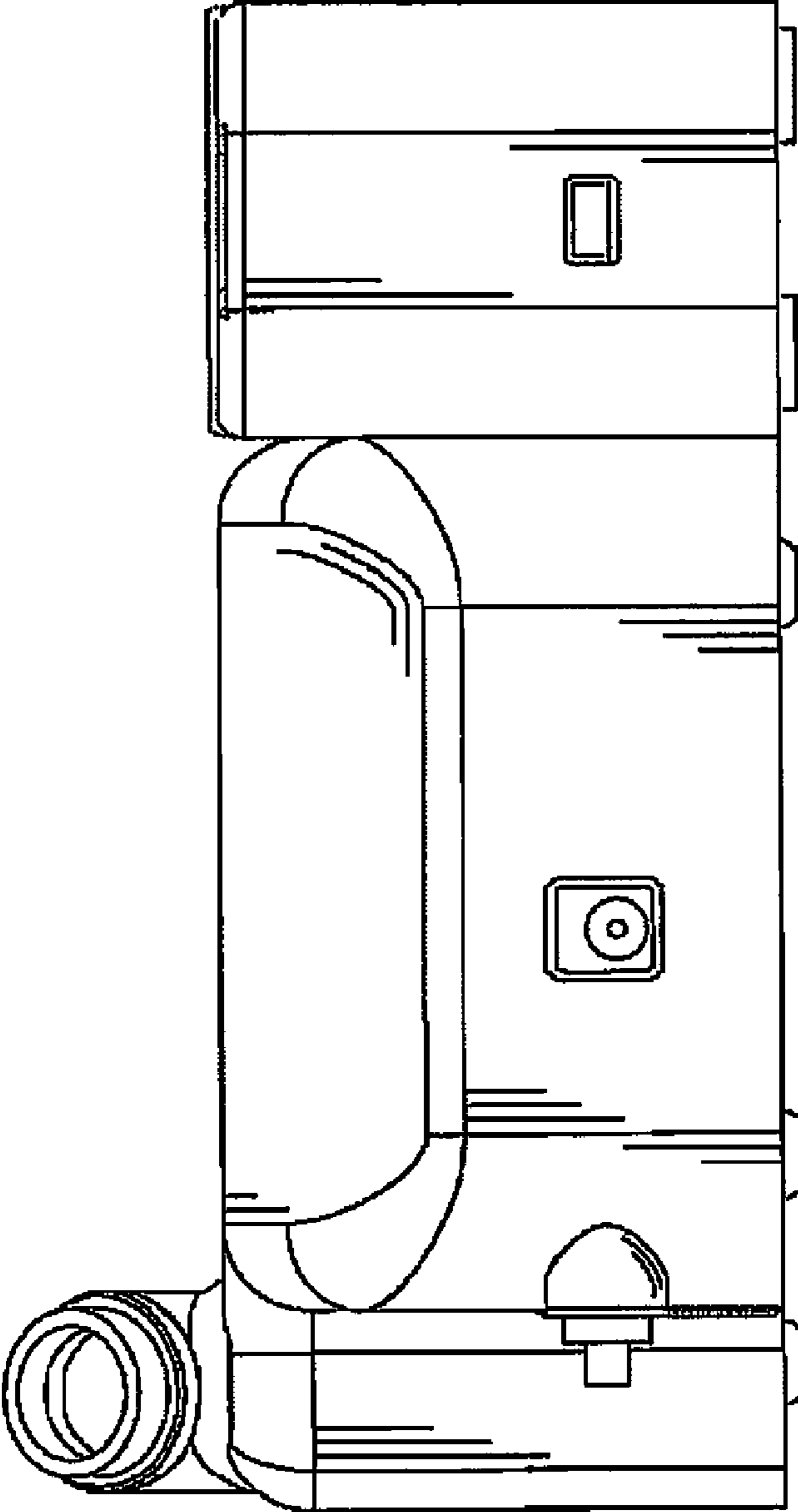


FIG. 5

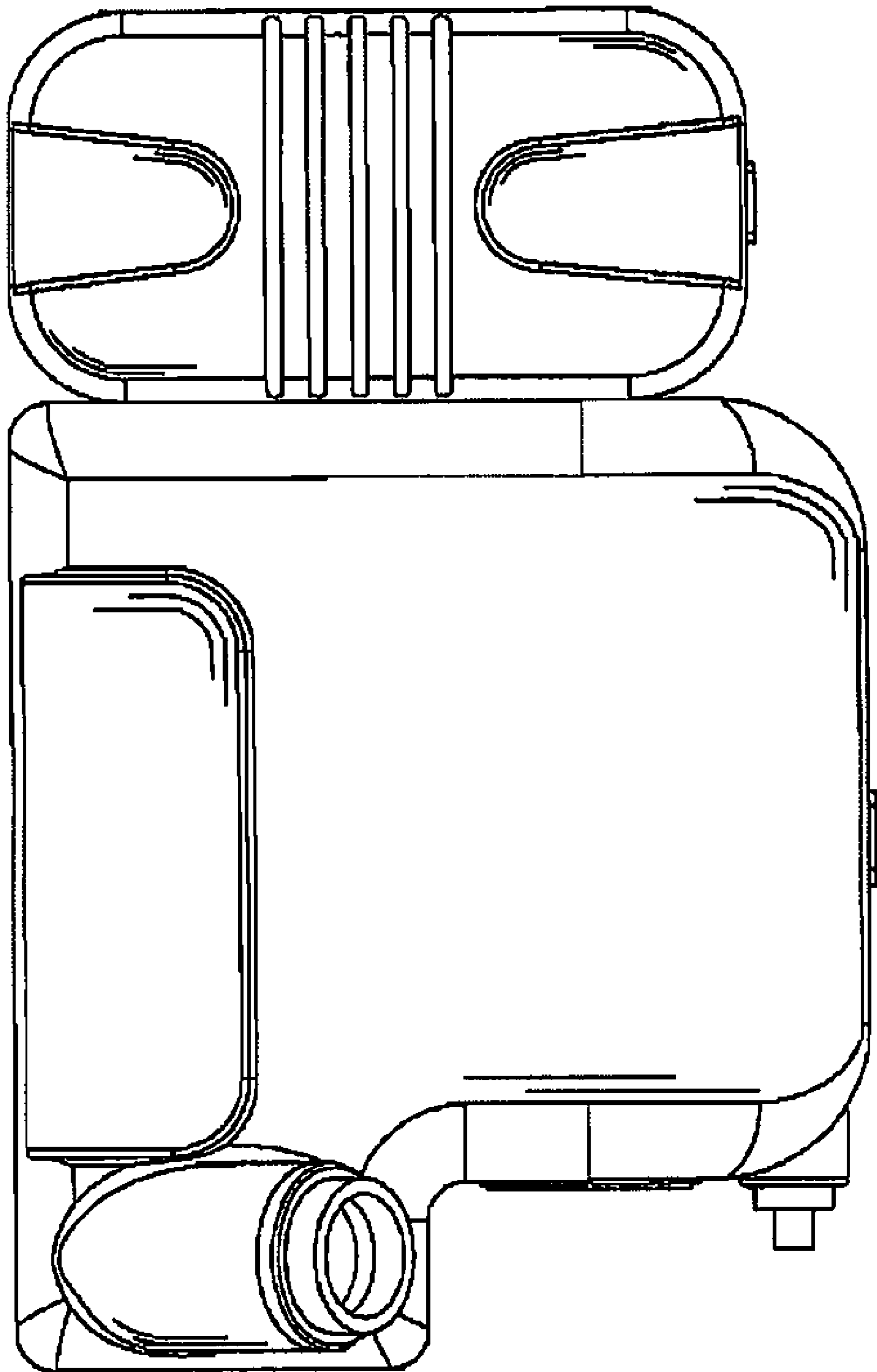


FIG. 6

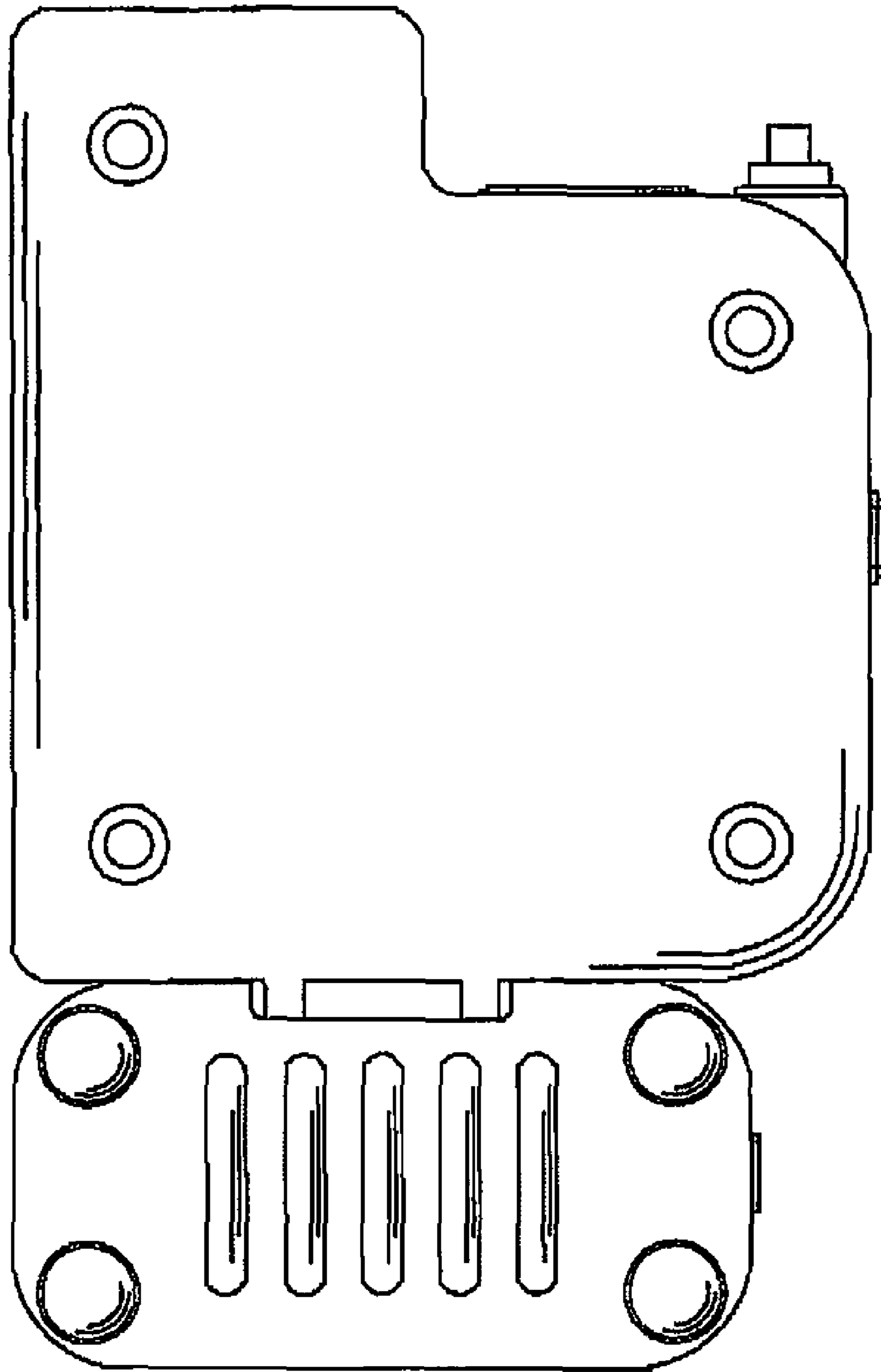


FIG. 7