



US00D622289S

(12) **United States Design Patent**  
**Wheatner et al.**

(10) **Patent No.:** **US D622,289 S**  
(45) **Date of Patent:** **\*\* Aug. 24, 2010**

(54) **PUMP STATION ENCLOSURE**

(76) Inventors: **Brian Wheatner**, 1367 Bonnie Dr.,  
Mansfield, OH (US) 44905; **Gary Hewitt**, 613 Highland Dr., Howard, OH  
(US) 43028

(\*\*) Term: **14 Years**

(21) Appl. No.: **29/325,532**

(22) Filed: **Oct. 2, 2008**

(51) **LOC (9) Cl.** ..... **15-02**

(52) **U.S. Cl.** ..... **D15/7**

(58) **Field of Classification Search** ..... D15/7-9.2;  
D23/231, 232, 225; 417/410.1, 359, 415-416,  
417/234, 321, 265, 405

See application file for complete search history.

(56) **References Cited**

**U.S. PATENT DOCUMENTS**

- D84,575 S \* 7/1931 Fagan ..... D15/9.1
- D144,813 S \* 5/1946 Sundberg ..... D15/9.2
- D256,242 S \* 8/1980 Small ..... D15/9.1
- D332,454 S \* 1/1993 Spiegel ..... D15/9.1
- D334,938 S \* 4/1993 Solares ..... D15/9.1

**OTHER PUBLICATIONS**

Excerpt from Water and Wast Digest "Raising the Bar in Control Valve Stations" by George Wootten, showing a large factory-built control valve station is made with only a single control valve; Mar. 2008.

[http://www.usemco.com/sewage\\_stations/pump\\_mate.php](http://www.usemco.com/sewage_stations/pump_mate.php)—website printout from USEMCO (Universal Sanitary Equipment Manufacturing Company (2 pgs)/ printout date May 6, 2008.

\* cited by examiner

*Primary Examiner*—Ralf Seifert

(74) *Attorney, Agent, or Firm*—Tarolli, Sundheim, Covell & Tummino LLP

(57) **CLAIM**

We claim the ornamental design for a pump station enclosure, as shown and described.

**DESCRIPTION**

FIG. 1 is a front perspective view of a pump enclosure showing my new design (the broken lines in FIGS. 1-7 are for illustrative purposes only and do not form part of the invention shown in FIGS. 1-7);

FIG. 2 is a side elevational view of the enclosure shown in FIG. 1;

FIG. 3 is a top plan view of this enclosure shown in FIG. 1;

FIG. 4 is a front elevational view of the enclosure shown in FIG. 1;

FIG. 5 is a rear elevational view of the enclosure shown in FIG. 1;

FIG. 6 is another side elevational view of the enclosure shown in FIG. 1;

FIG. 7 is a bottom view of the enclosure shown in FIG. 1;

FIG. 8 is a front perspective view of a pump station enclosure showing a second embodiment of my new design (the broken line in FIGS. 8-14 are for illustrative purposes only and do not form part of the invention shown in FIGS. 8-14);

FIG. 9 is a side elevational view of the enclosure shown in FIG. 8;

FIG. 10 is a top plan view of this enclosure shown in FIG. 8;

FIG. 11 is a front elevational view of the enclosure shown in FIG. 8;

FIG. 12 is a rear elevational view of the enclosure shown in FIG. 8;

FIG. 13 is another side elevational view of the enclosure shown in FIG. 8;

FIG. 14 is a bottom view of the enclosure shown in FIG. 8;

FIG. 15 (the broken line in FIGS. 15-21 are for illustrative purposes only and do not form part of the invention shown in FIGS. 15-21);

FIG. 16 is a side elevational view of the enclosure shown in FIG. 15;

FIG. 17 is a top plan view of this enclosure shown in FIG. 15;

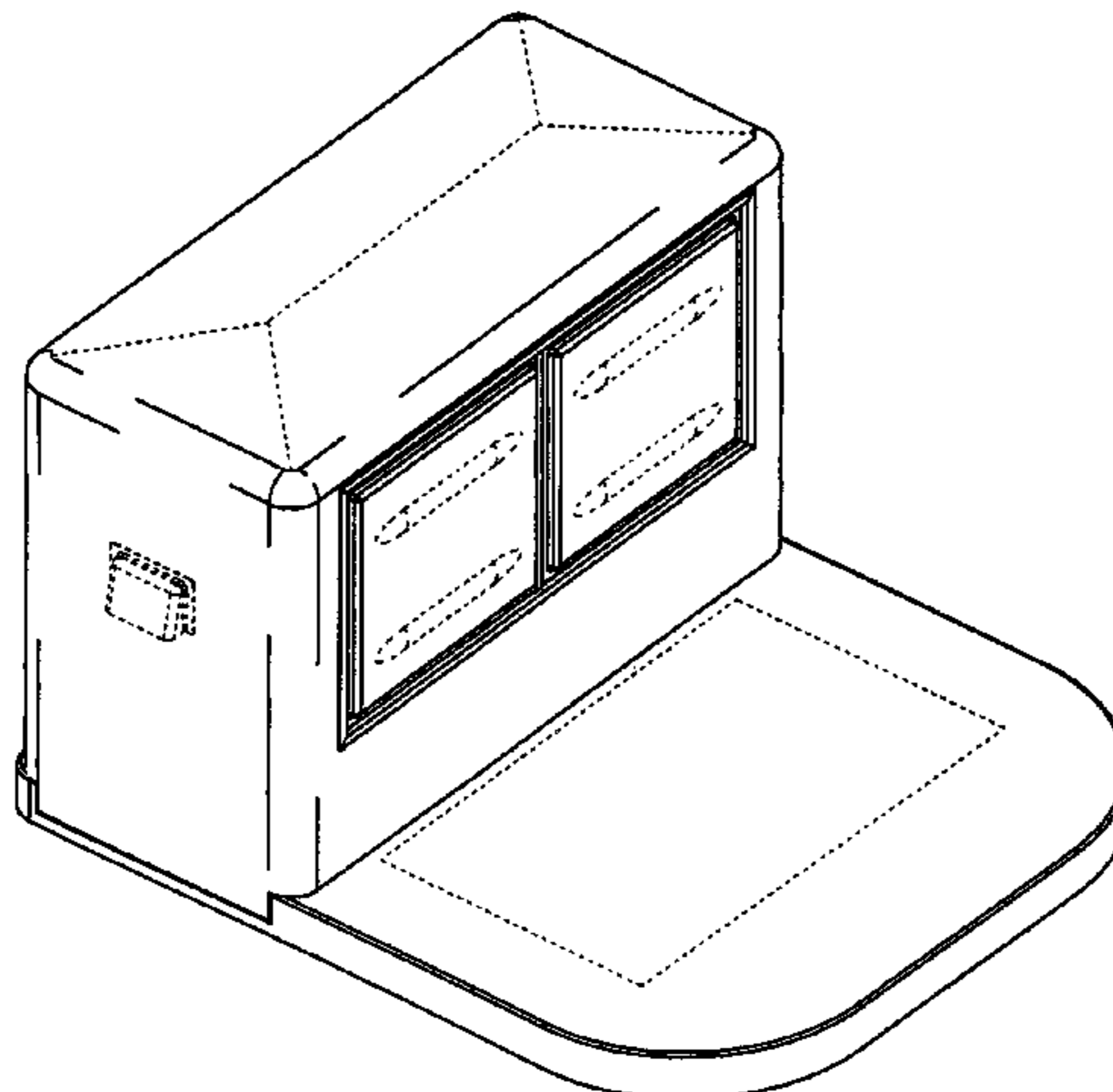
FIG. 18 is a front elevational view of the enclosure shown in FIG. 15;

FIG. 19 is a rear elevational view of the enclosure shown in FIG. 15;

FIG. 20 is another side elevational view of the enclosure shown in FIG. 15; and,

FIG. 21 is a bottom view of the enclosure shown in FIG. 15.

**1 Claim, 12 Drawing Sheets**



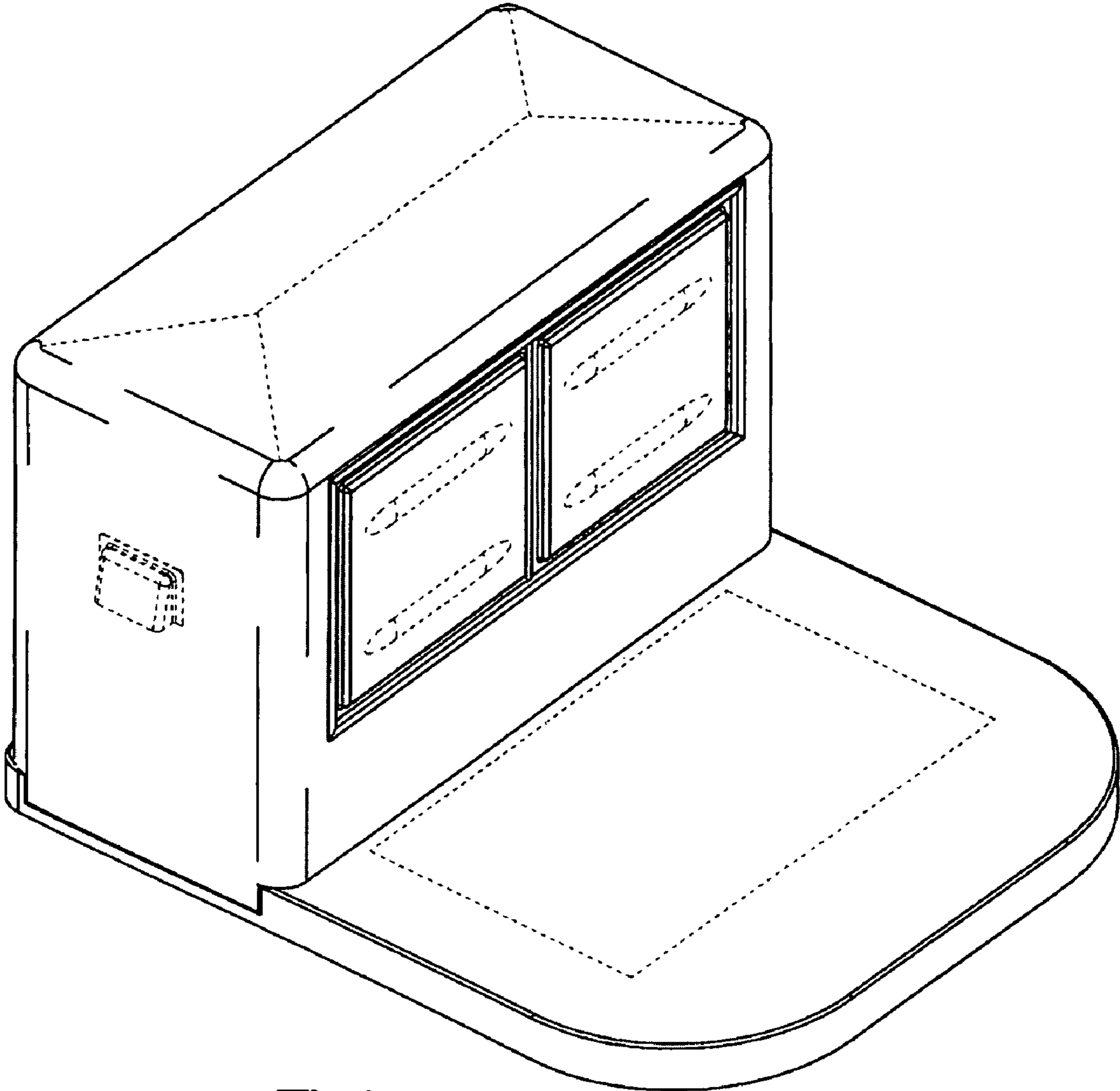


Fig.1

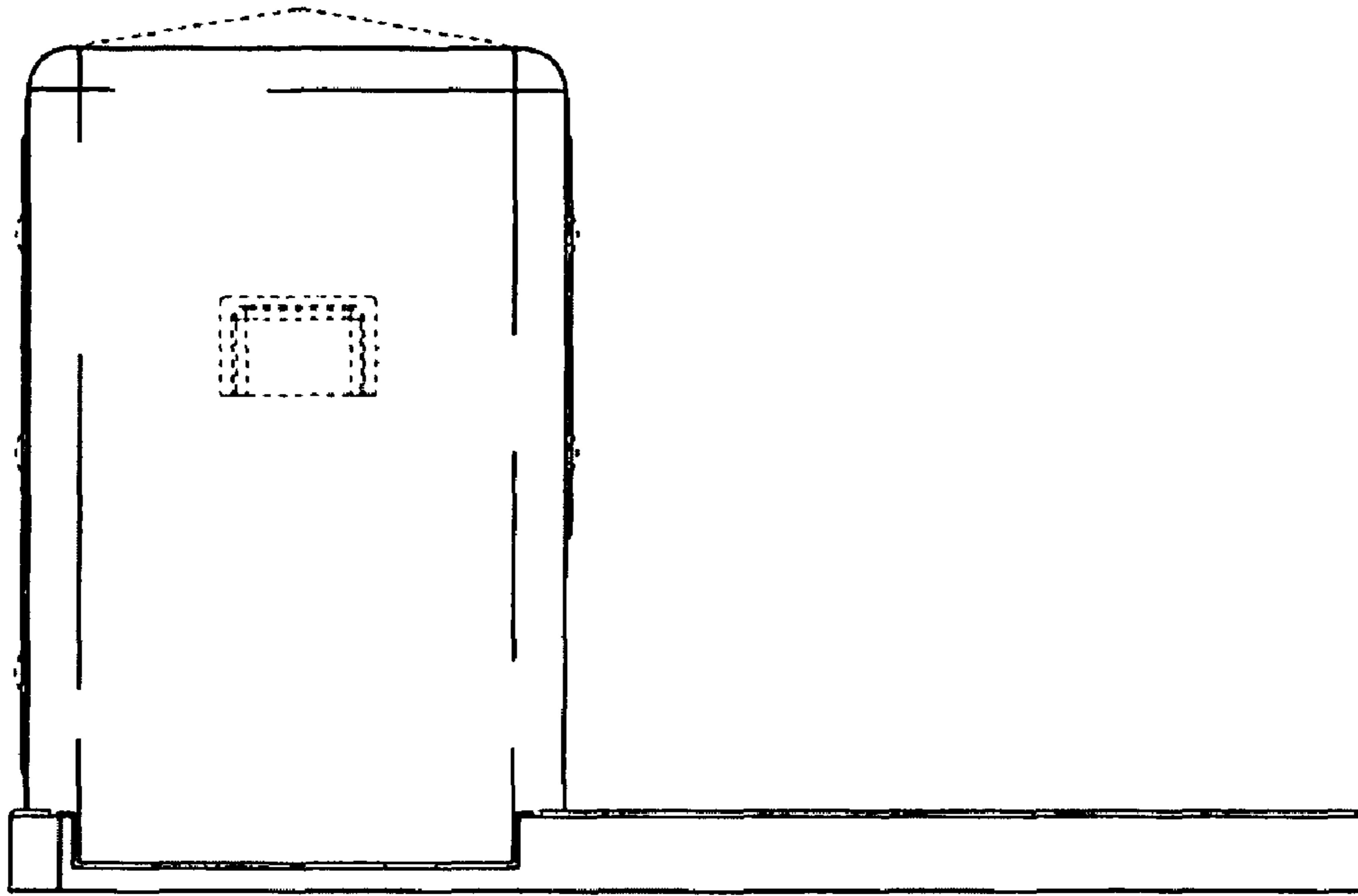


Fig.2

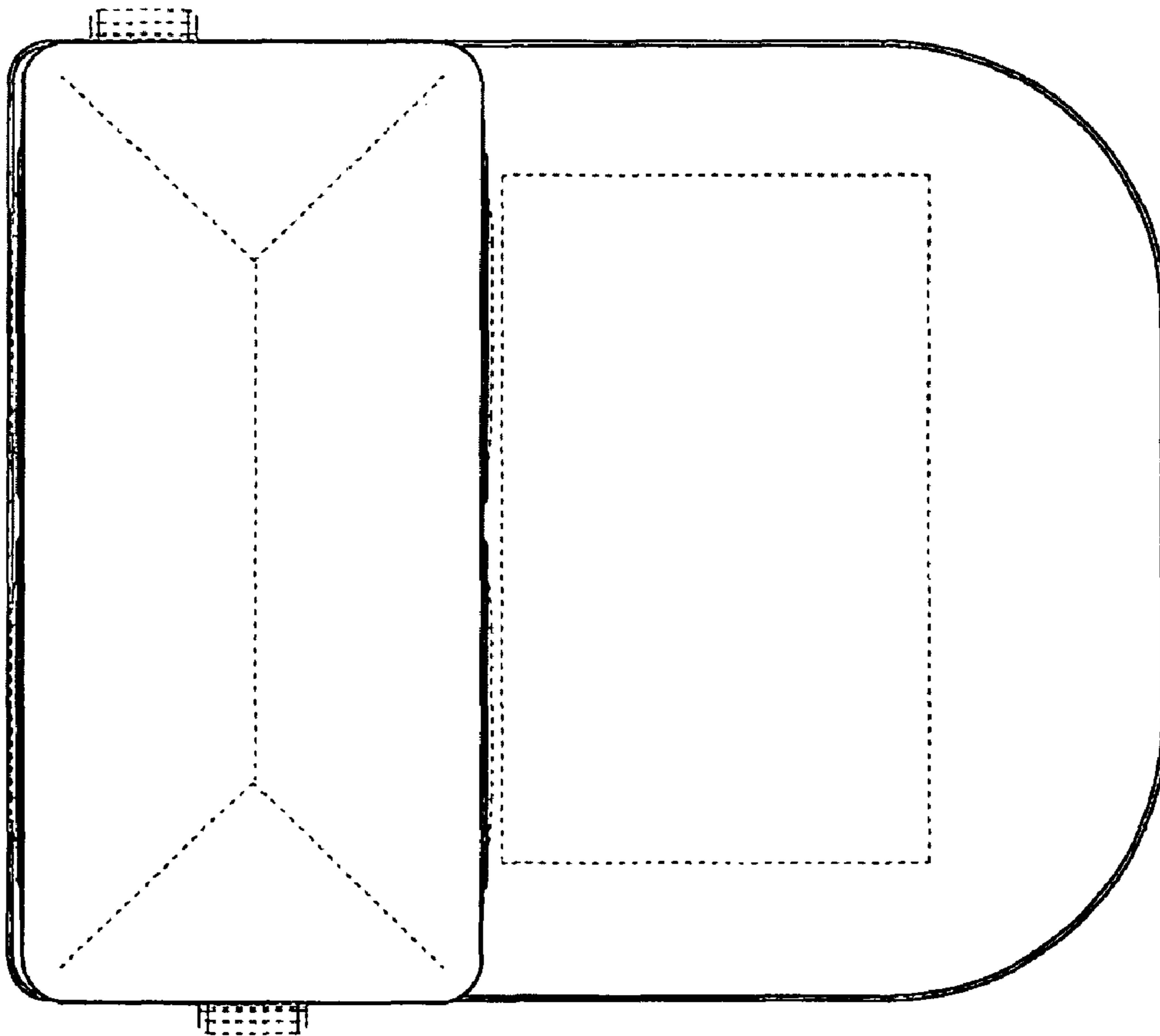


Fig.3

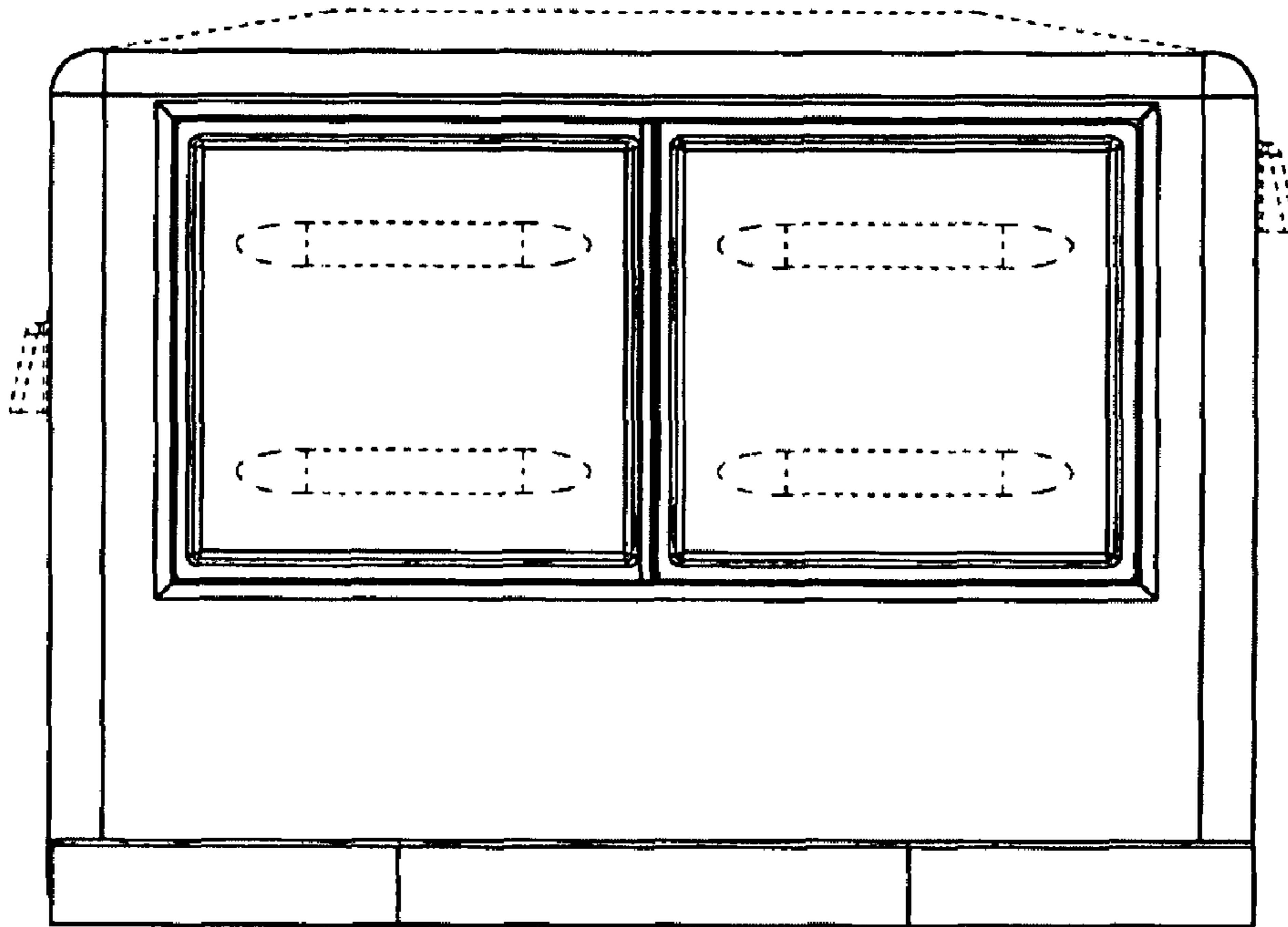


Fig.4

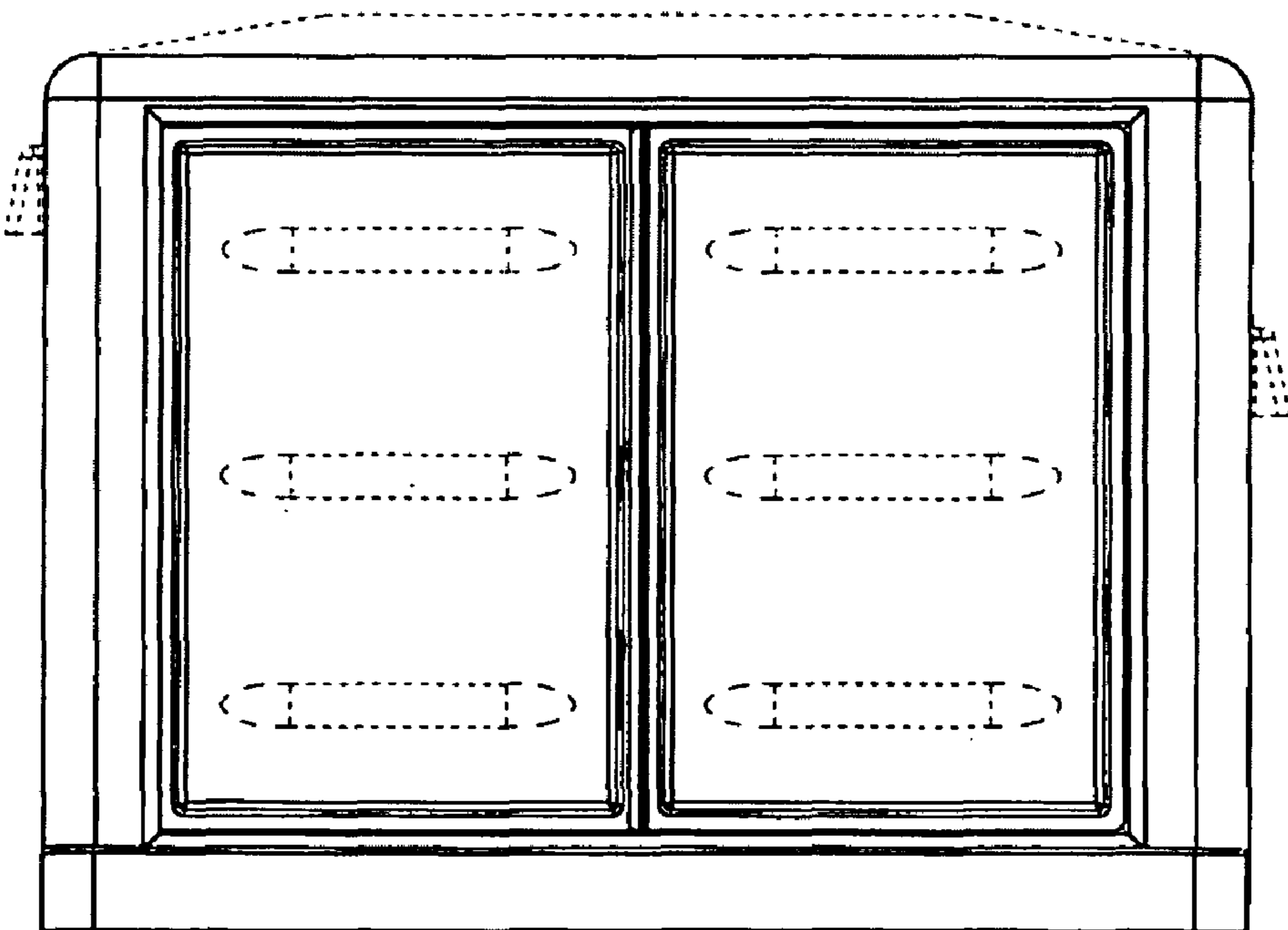


Fig.5

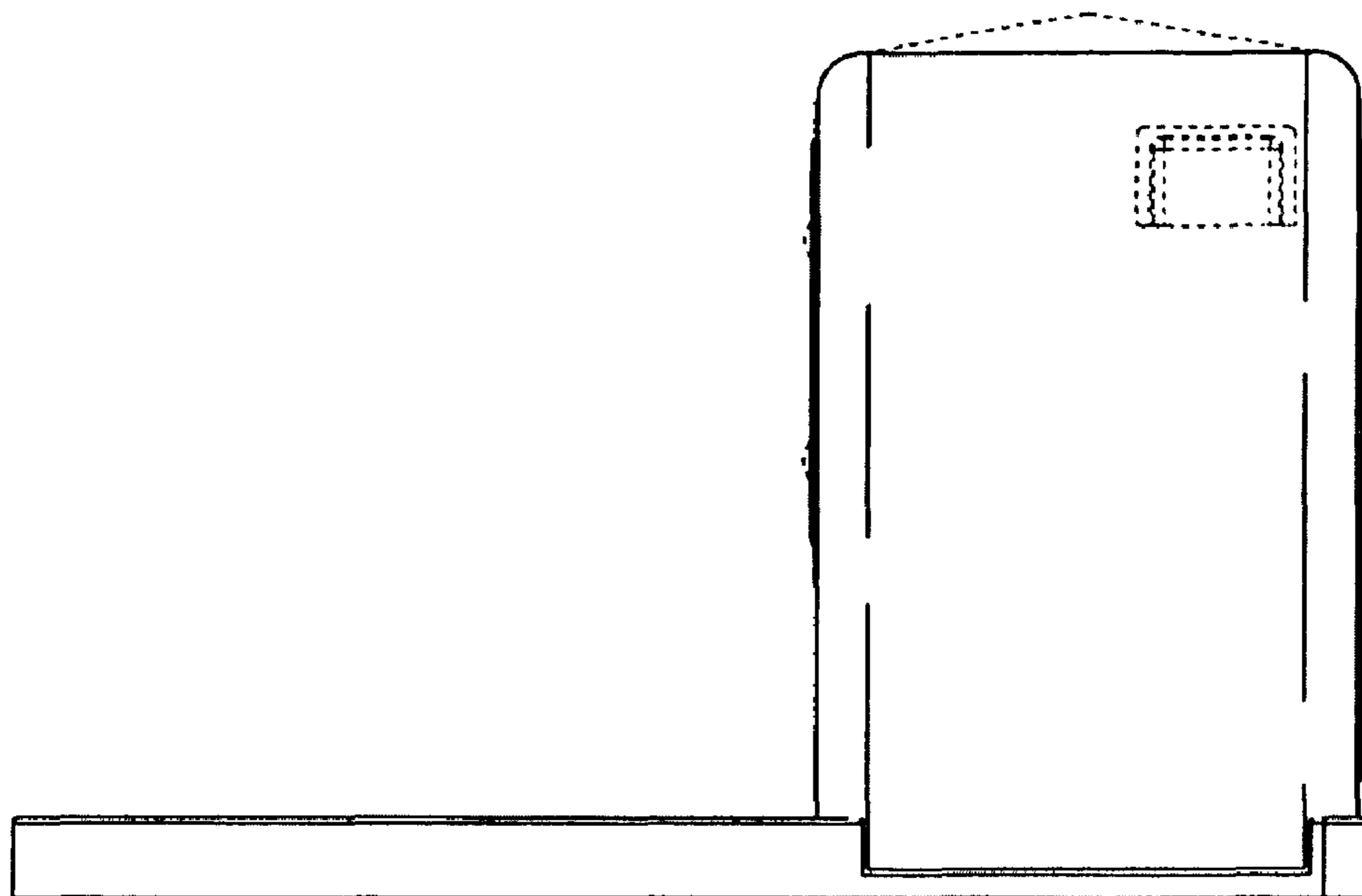


Fig.6

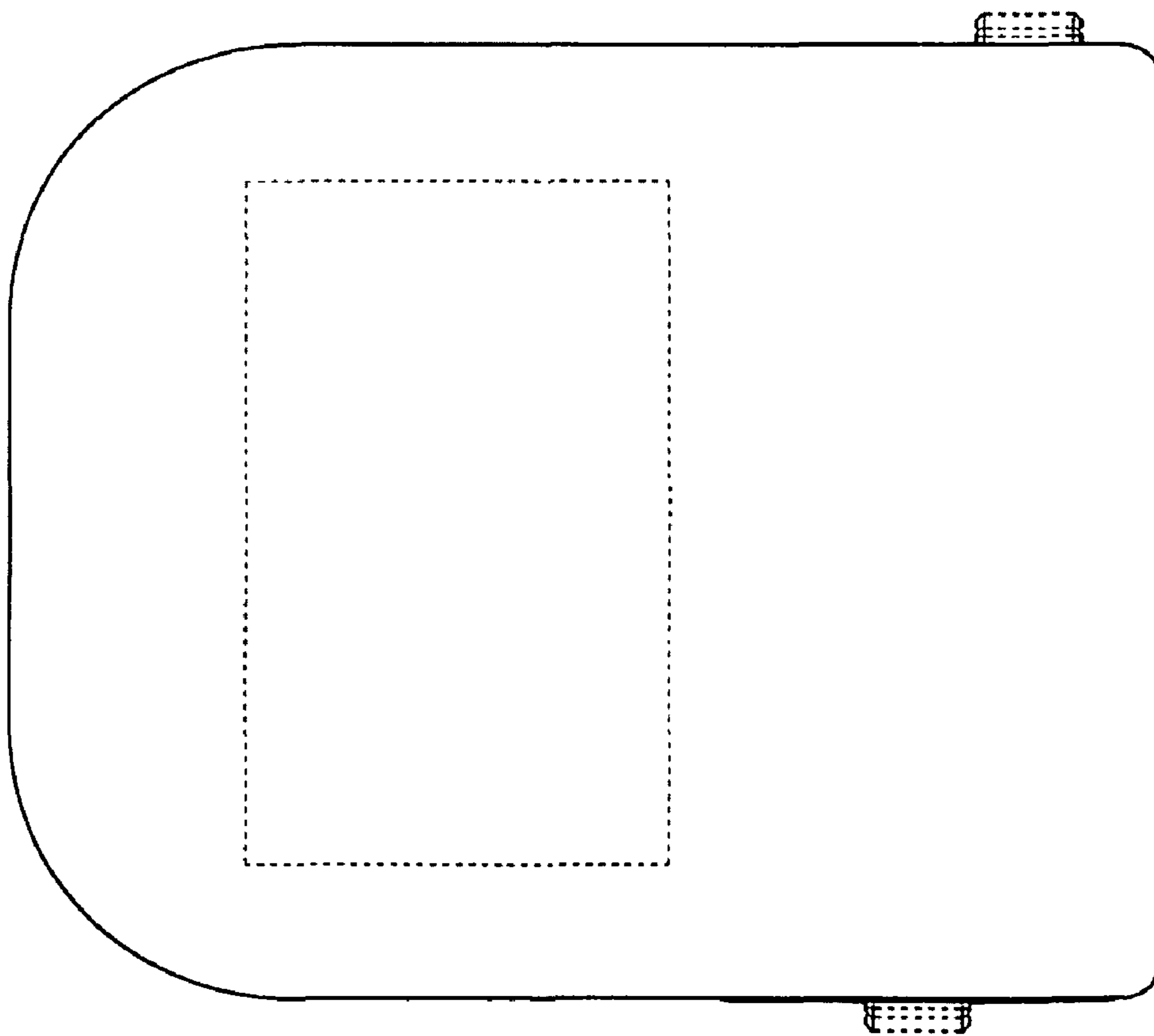


Fig.7

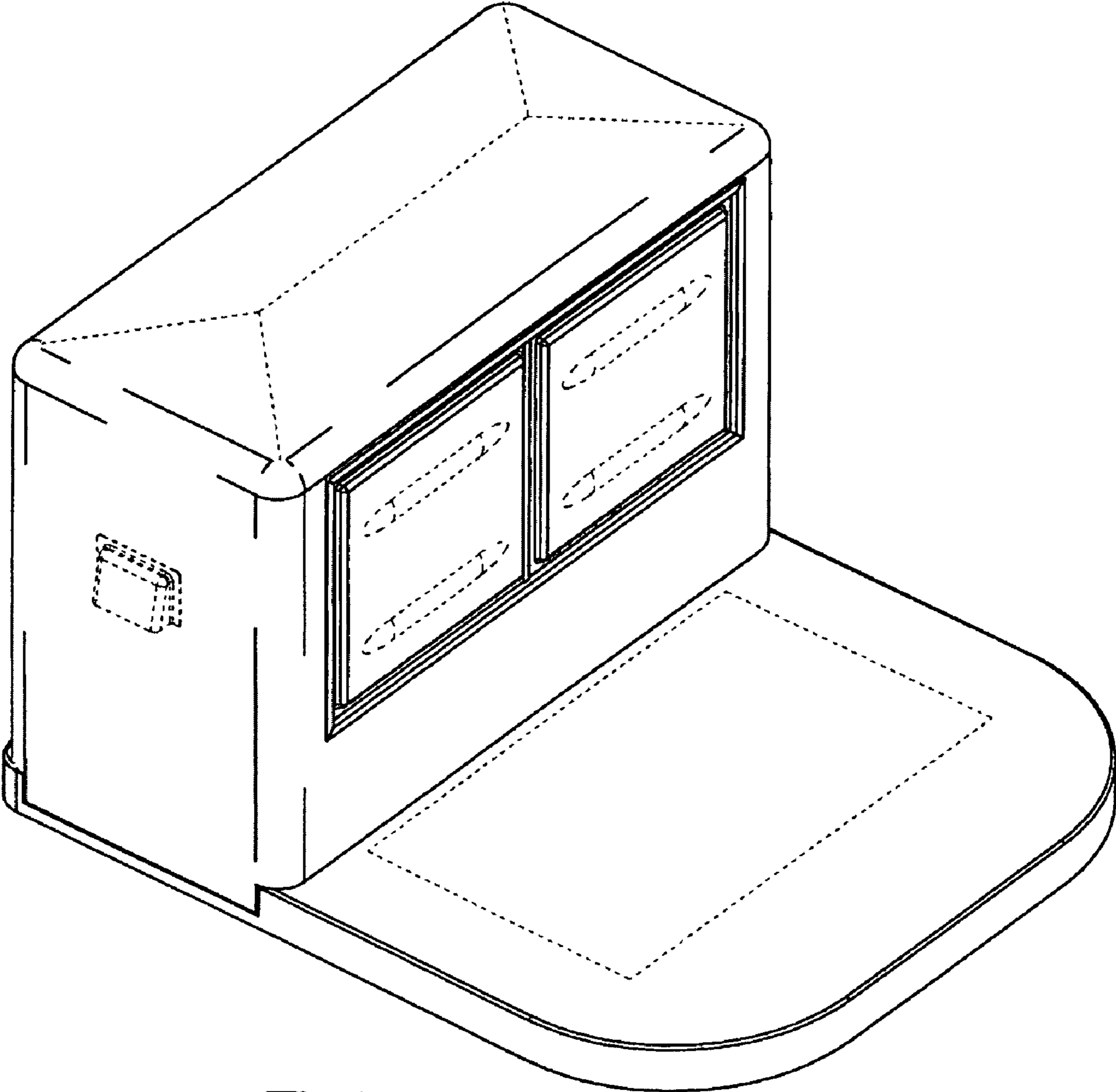


Fig.8

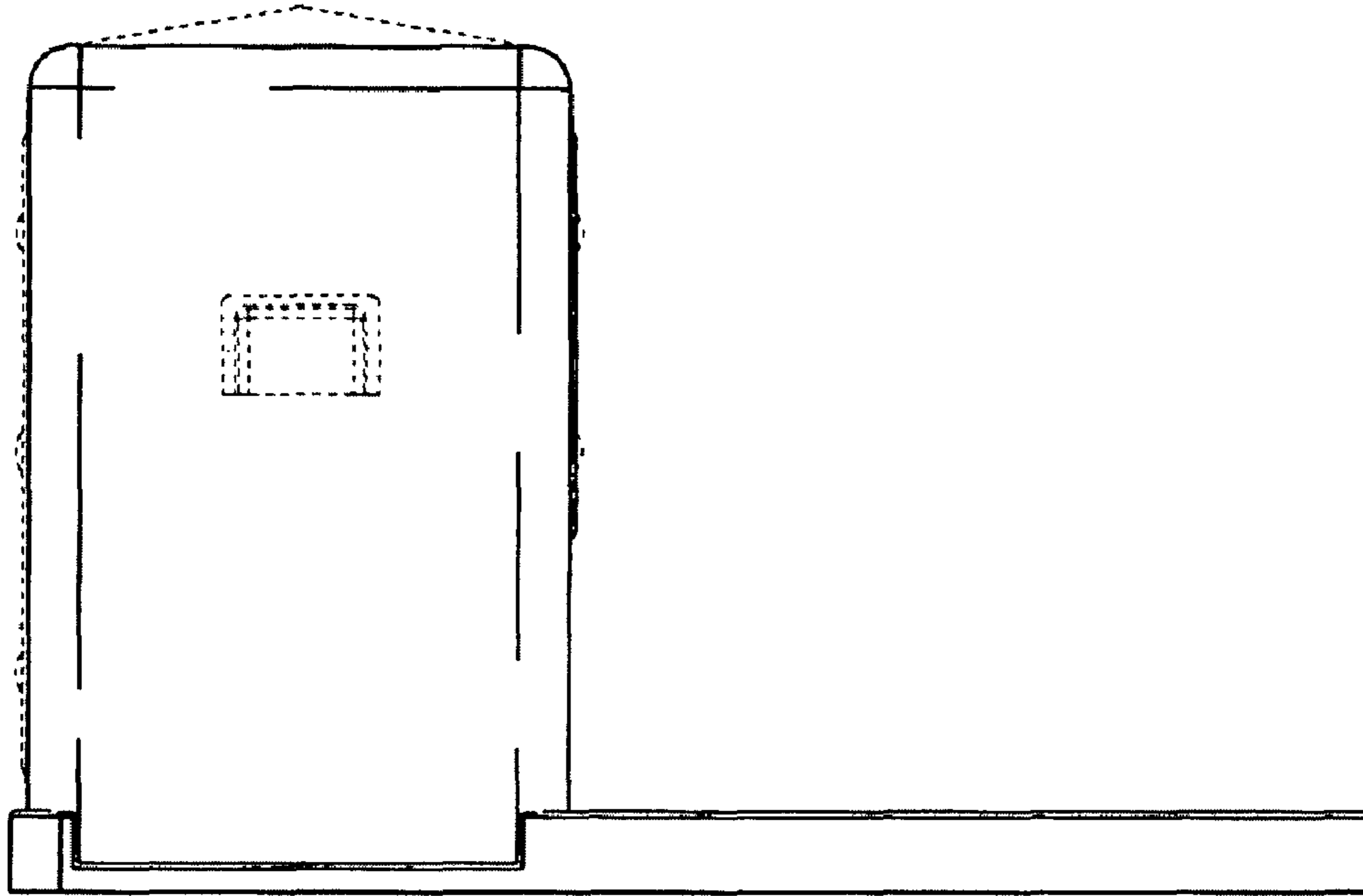


Fig.9

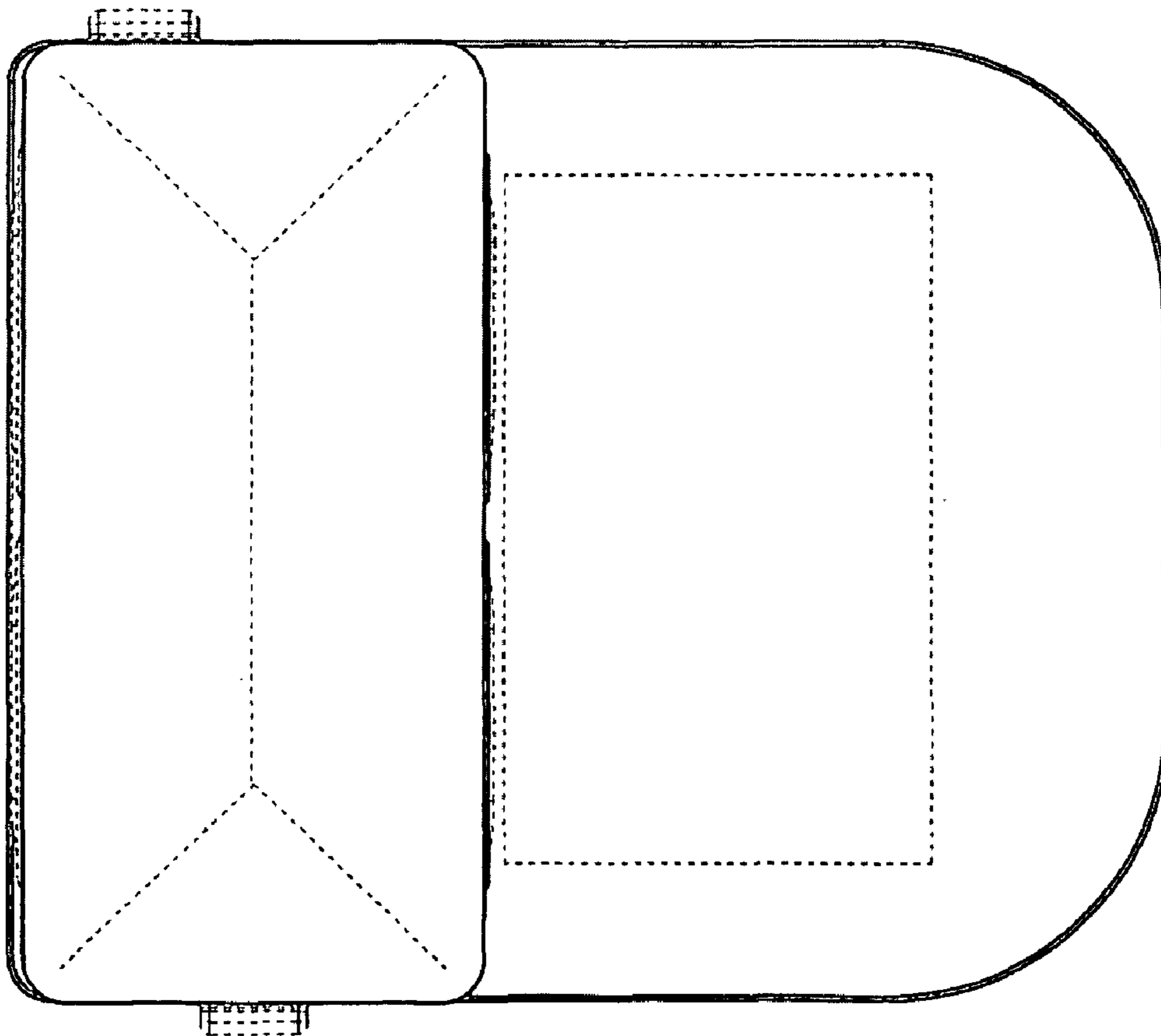


Fig.10

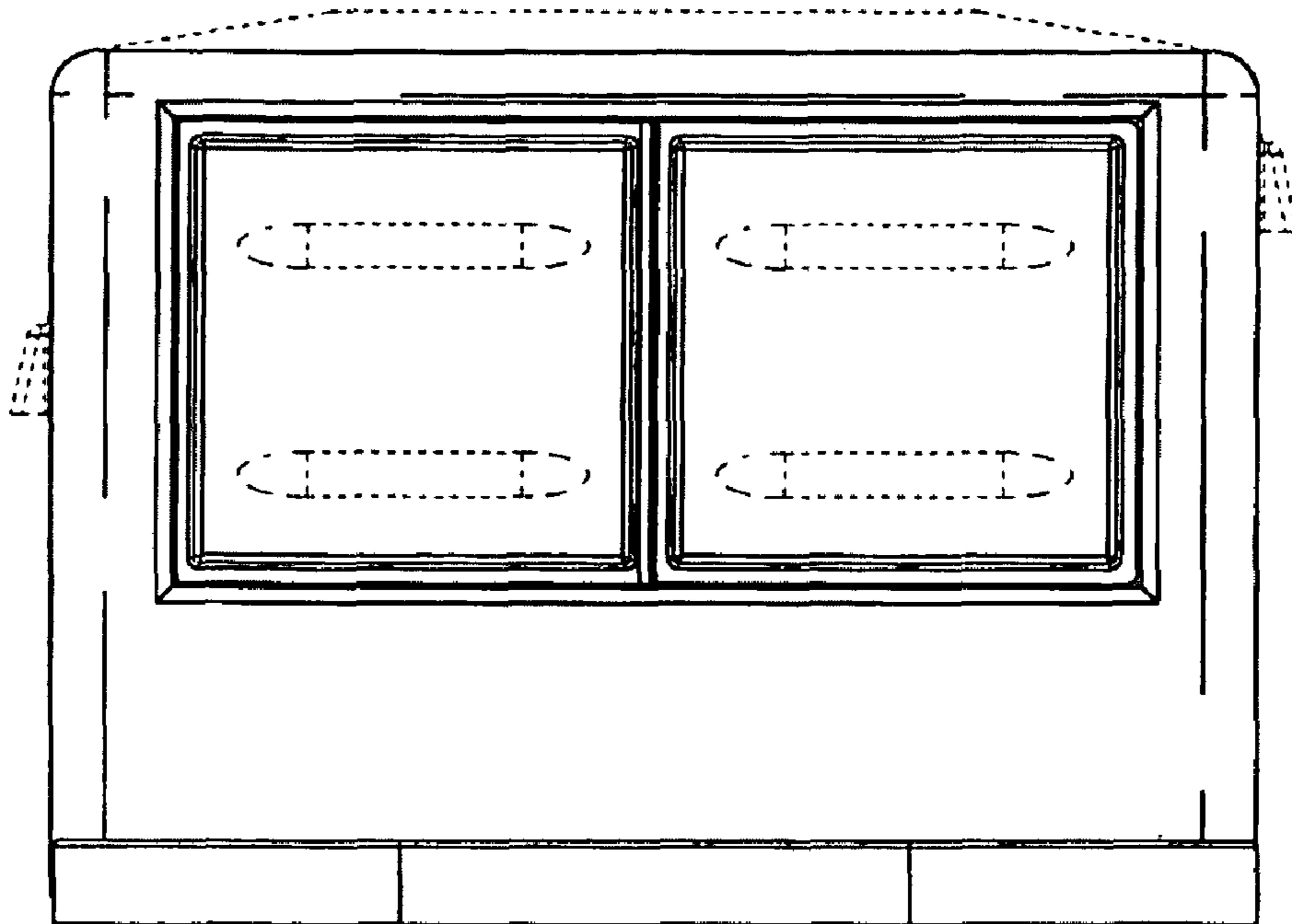


Fig.11

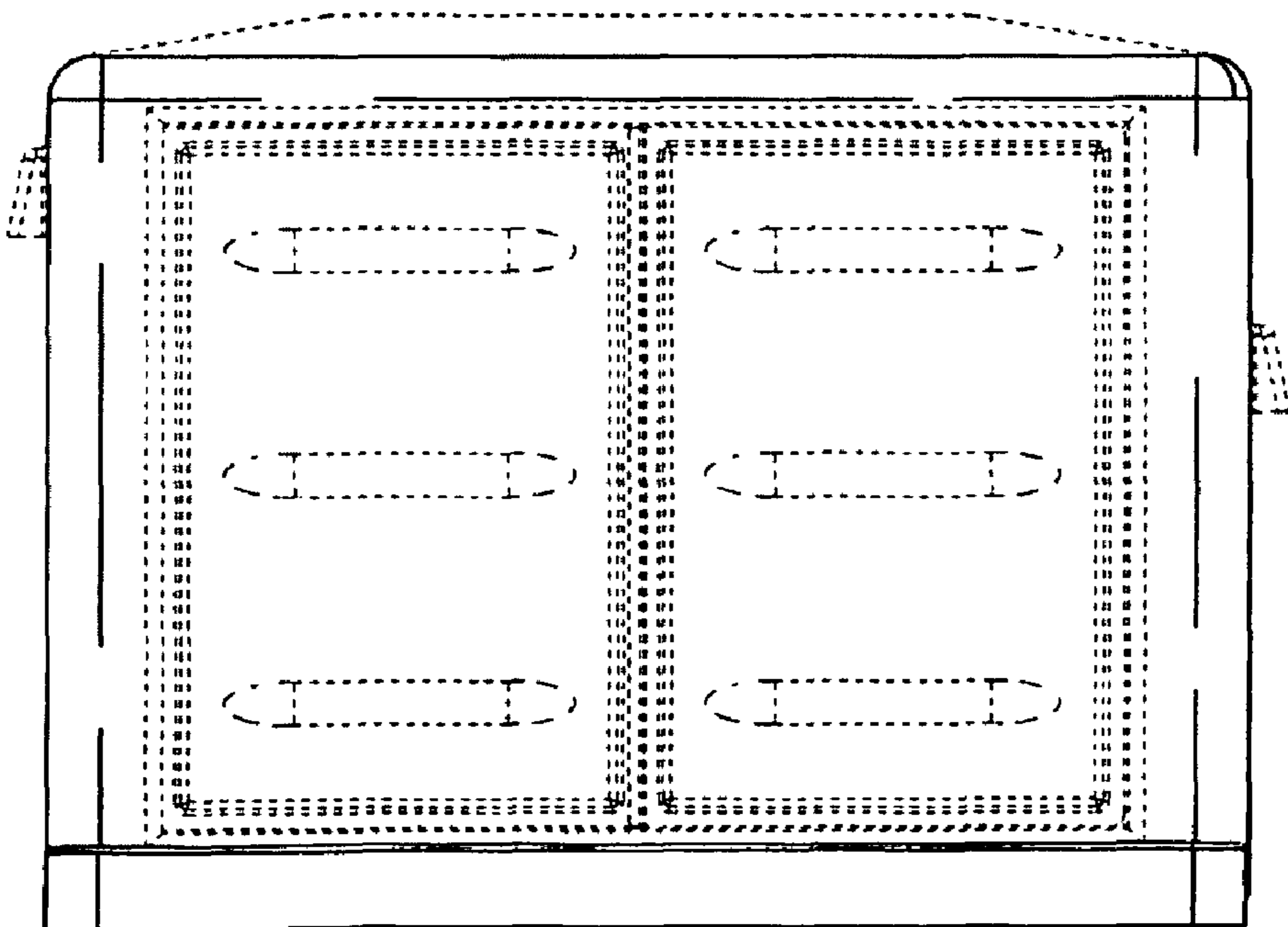


Fig.12



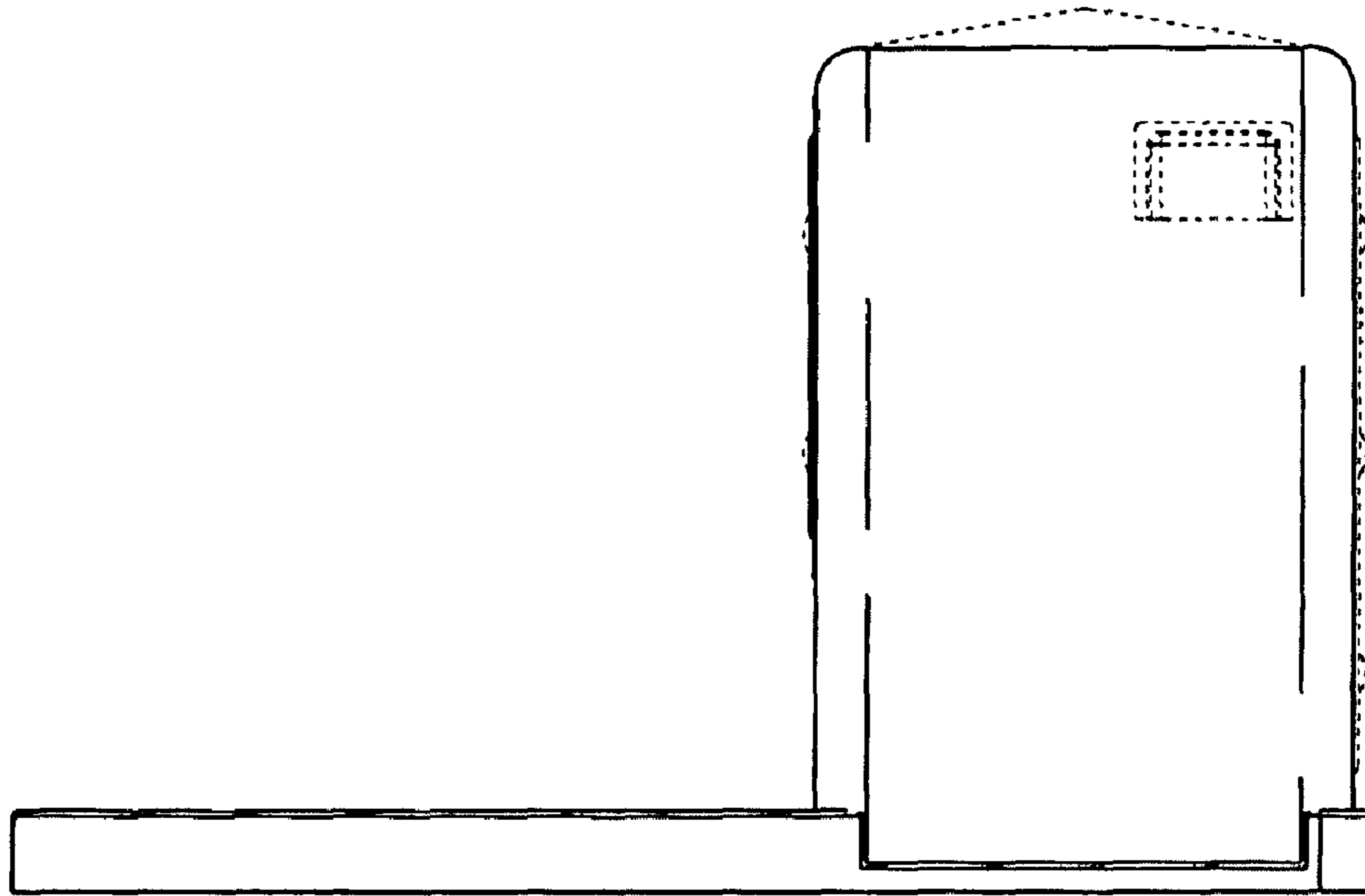


Fig.13

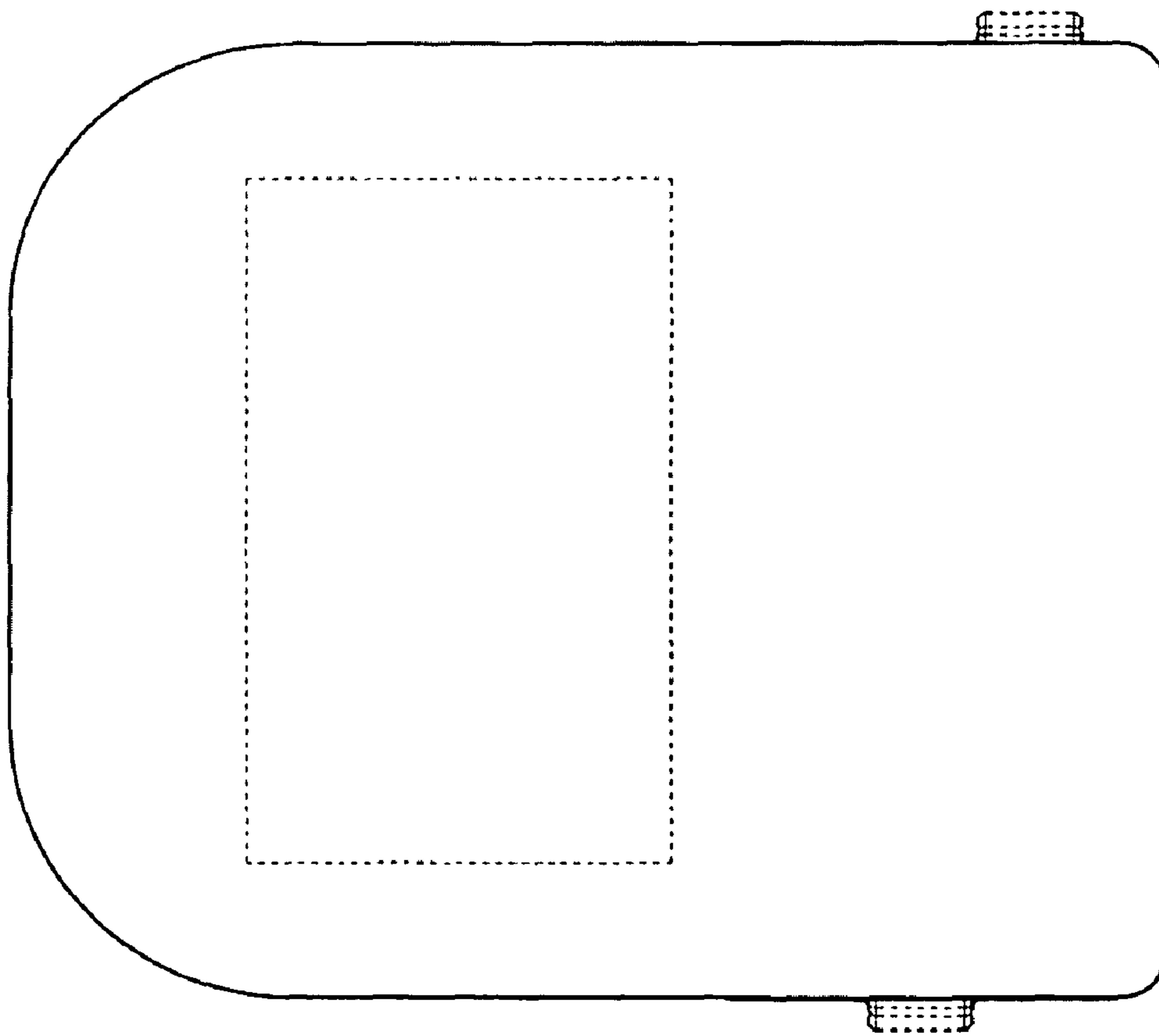


Fig.14

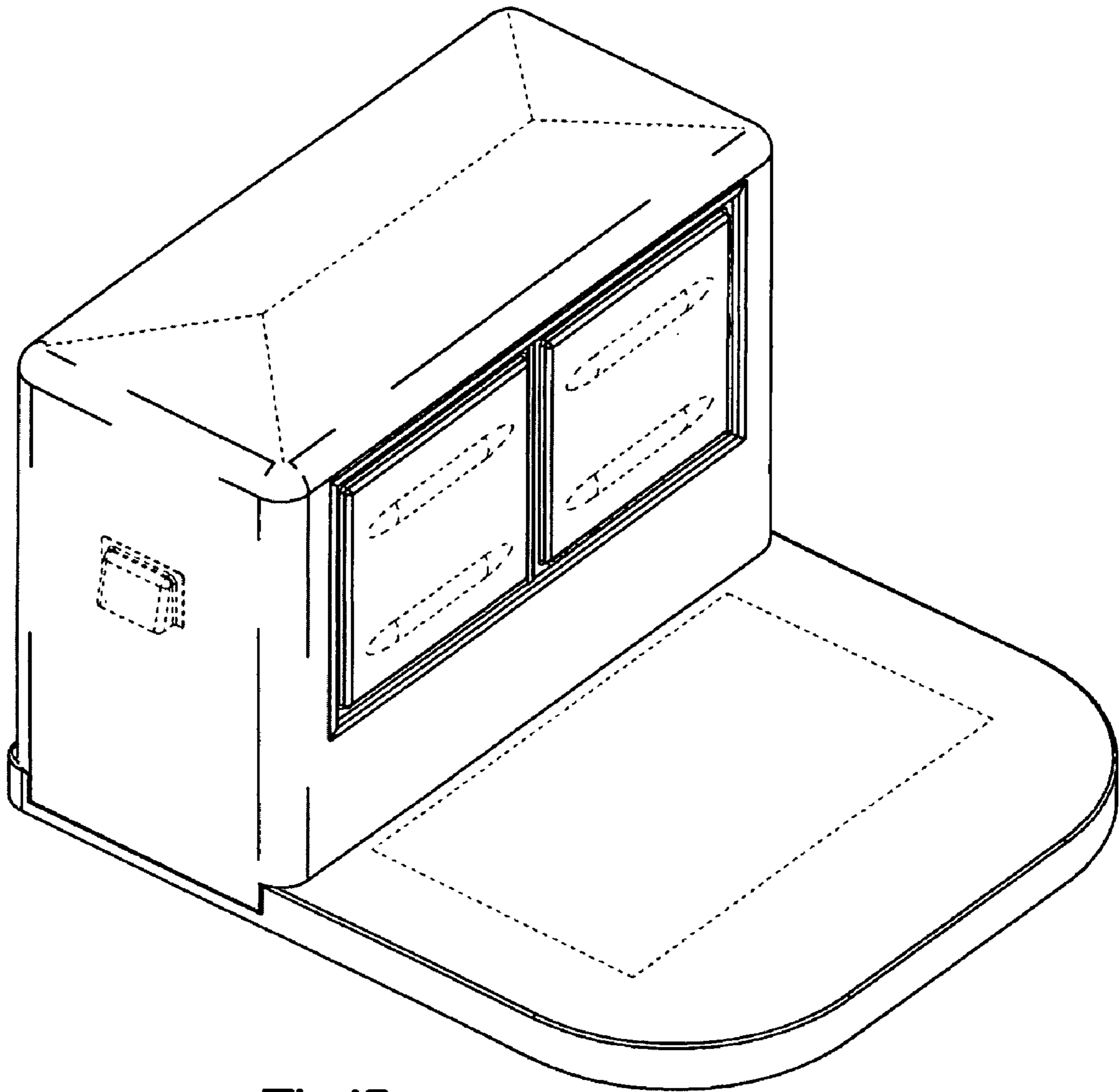


Fig.15

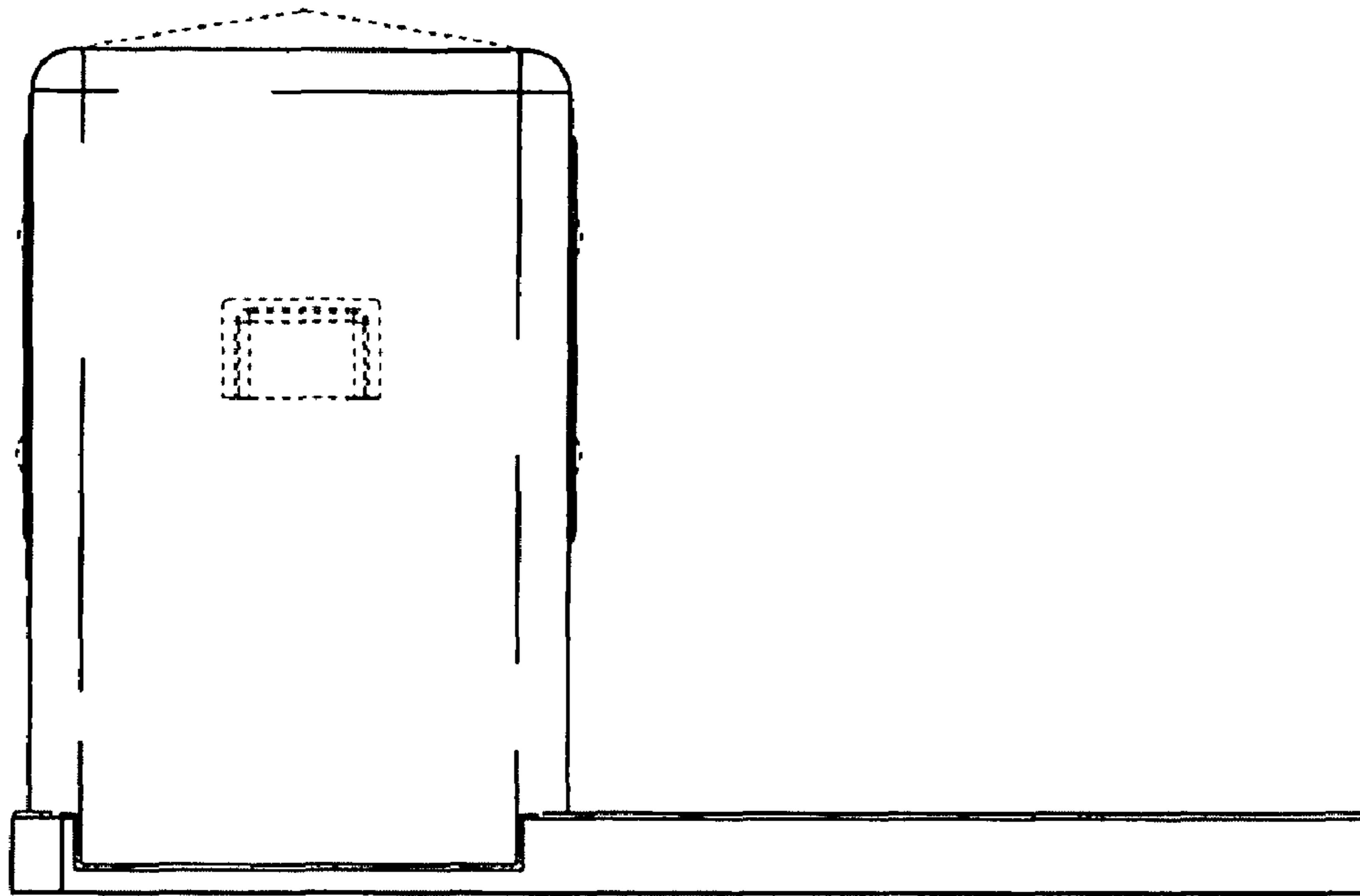


Fig.16

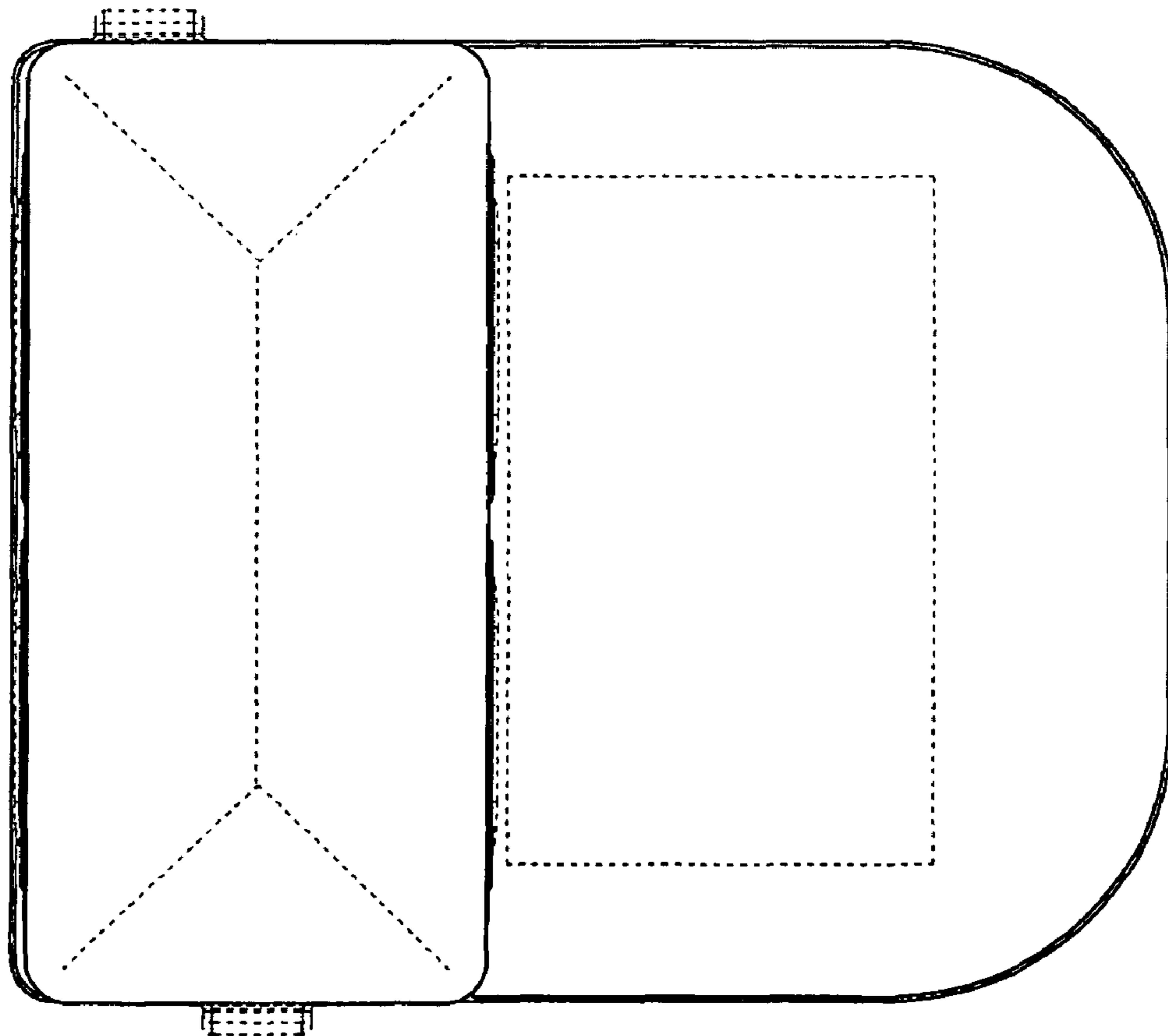


Fig.17

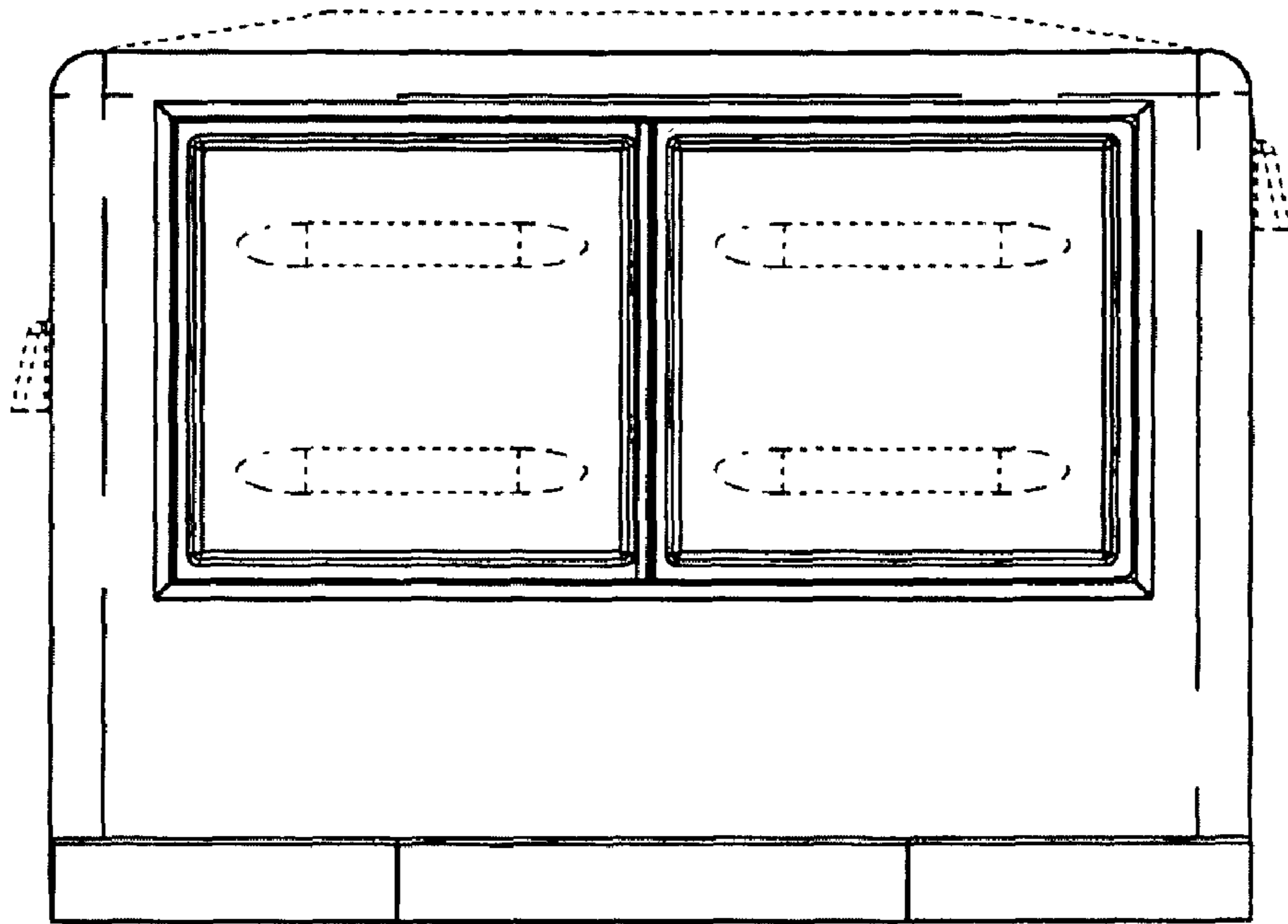


Fig.18

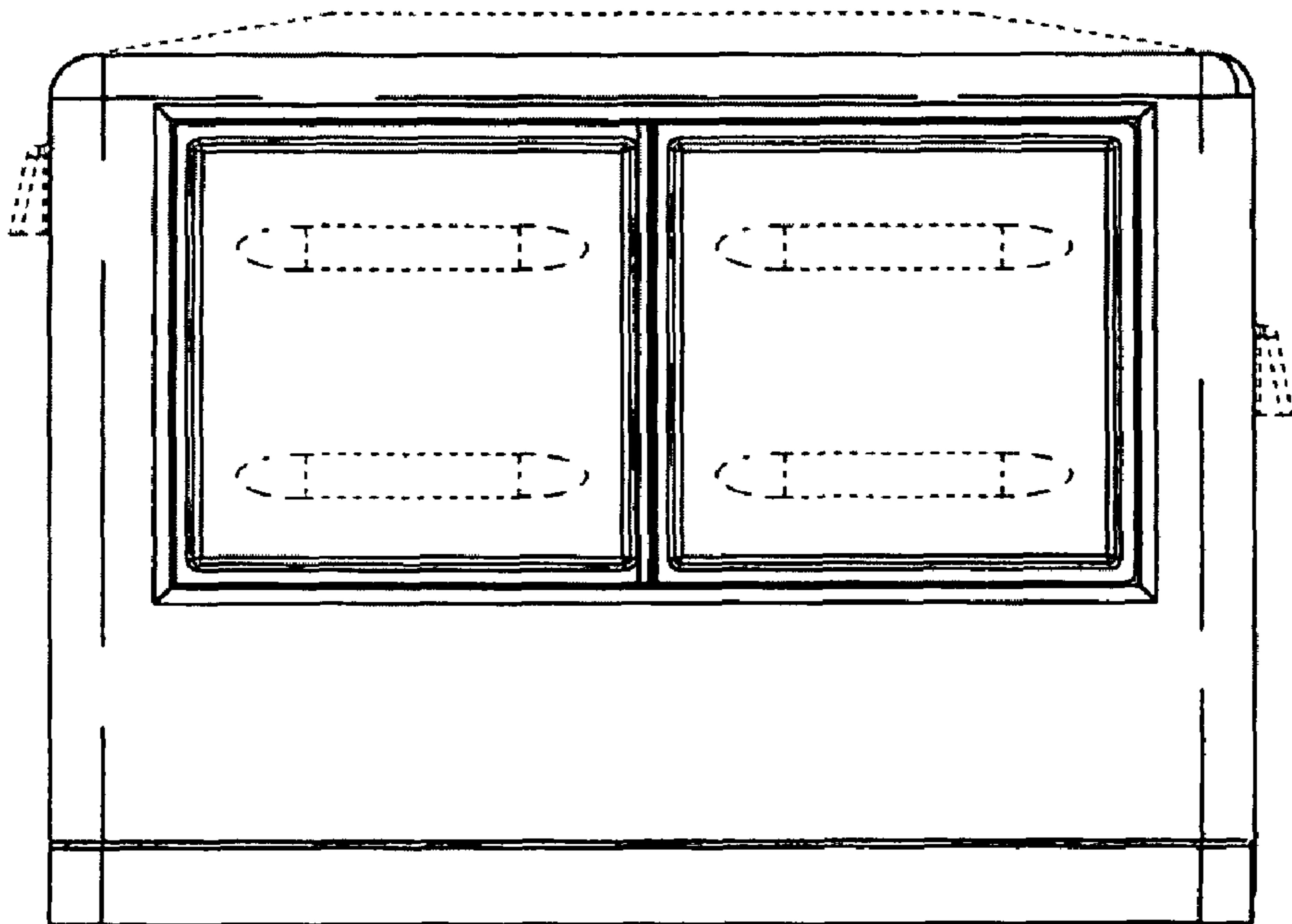


Fig.19

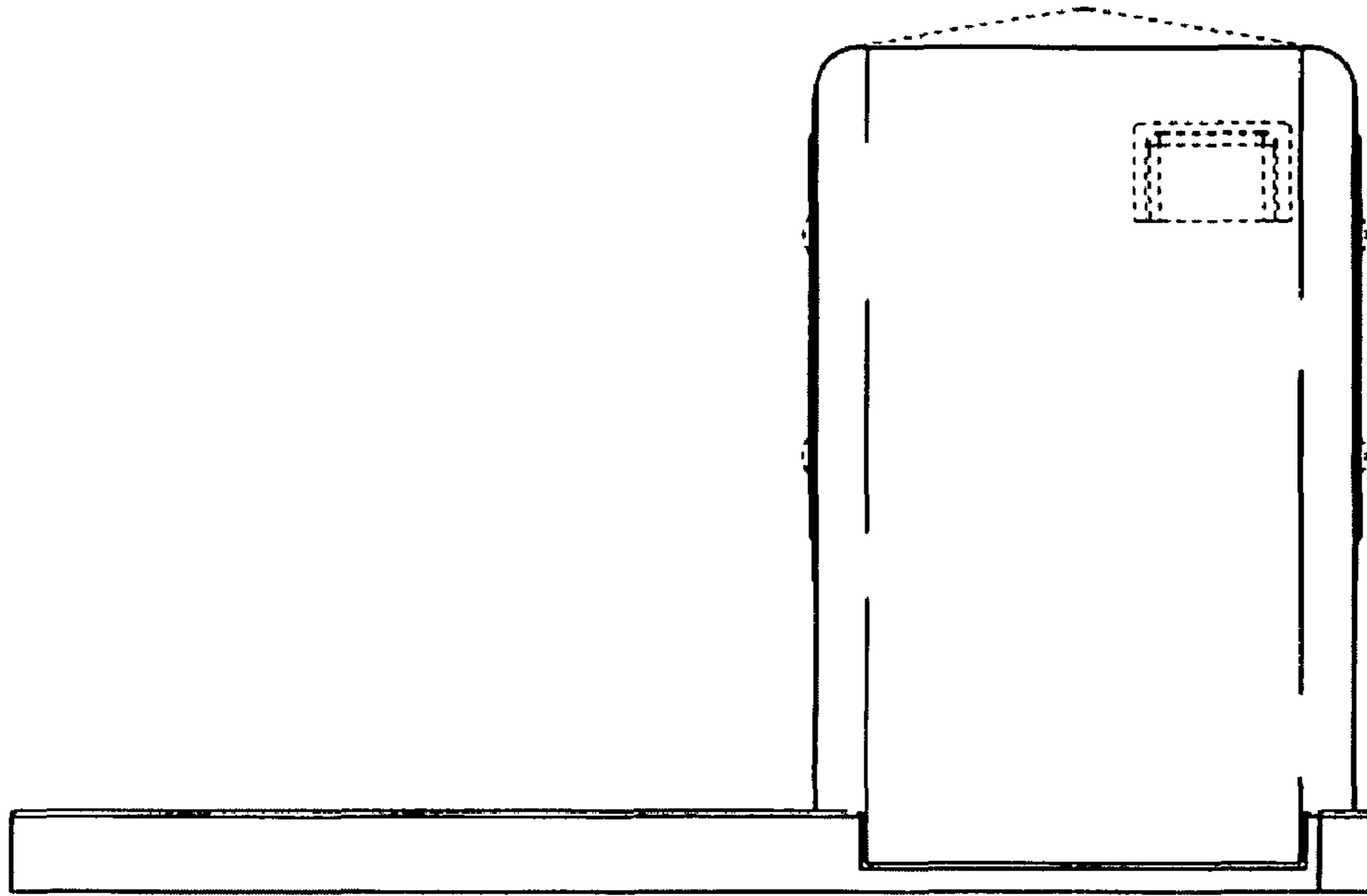


Fig.20

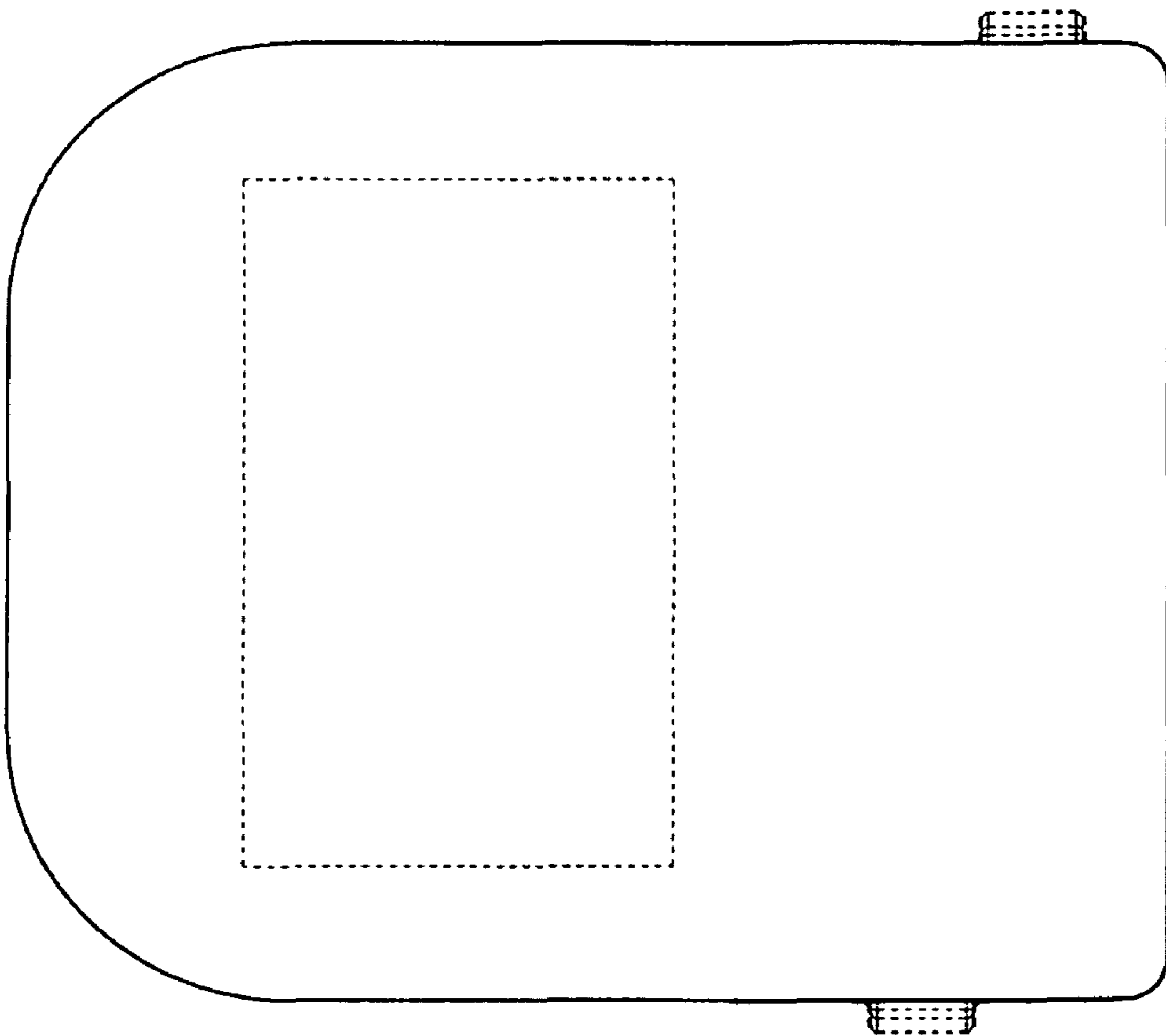


Fig.21