



US00D622288S

(12) **United States Design Patent**
Miller et al.

(10) **Patent No.:** **US D622,288 S**

(45) **Date of Patent:** **** Aug. 24, 2010**

(54) **VACUUM REGULATOR**

2006/0254652 A1* 11/2006 Davidson 137/505.25

(75) Inventors: **Ronnie Joe Miller**, Overland Park, KS (US); **Steven M. Matusek**, Olathe, KS (US)

(73) Assignee: **Aeromotive, Inc.**, Lenexa, KS (US)

(**) Term: **14 Years**

(21) Appl. No.: **29/335,488**

(22) Filed: **Apr. 16, 2009**

(51) **LOC (9) Cl.** **15-01**

(52) **U.S. Cl.** **D15/5**

(58) **Field of Classification Search** D15/1,
D15/2, 3, 5, 6, 14, 17, 149; 123/22, 41.34,
123/51 A, 606 R, 52.1, 50 A, 50 B, 54.1,
123/54.2, 54.4, 54.5, 65 R, 195 R, 195 HC,
123/657, 311, 41.67, 198 E, 572-574; 73/753
See application file for complete search history.

(56) **References Cited**

U.S. PATENT DOCUMENTS

D289,401 S *	4/1987	Yew et al.	D15/5
D291,807 S *	9/1987	Yew et al.	D15/5
D393,647 S *	4/1998	Garrard et al.	D15/5
6,997,059 B2 *	2/2006	Ernsberger et al.	73/753
D592,680 S *	5/2009	Ogawa	D15/5
D595,739 S *	7/2009	Ogawa	D15/5
D596,200 S *	7/2009	Ogawa	D15/5
D596,201 S *	7/2009	Ogawa	D15/5

OTHER PUBLICATIONS

Printout from website www.gzmotorsports.com showing VC102, VC102A, VC102C, VC102D, VC102E, VC102F, VCV103, VCB103 and VCB103A vacuum control valves, believed to have been on sale for more than one year prior to the filing date of the present application.

Printout from website www.moroso.com showing No. 22633 Vacuum Pump Regulator, believed to have been on sale for more than one year prior to the filing date of the present application.

* cited by examiner

Primary Examiner—T. Chase Nelson

Assistant Examiner—Ania K Dworzecka

(74) *Attorney, Agent, or Firm*—Erickson, Kernell, Derousseau & Kleypas, LLC

(57) **CLAIM**

The ornamental design for a vacuum regulator, as shown and described.

DESCRIPTION

FIG. 1 is a perspective view of a vacuum regulator according to the present invention;

FIG. 2 is a left side elevational view thereof, the right side being a mirror image of the left side;

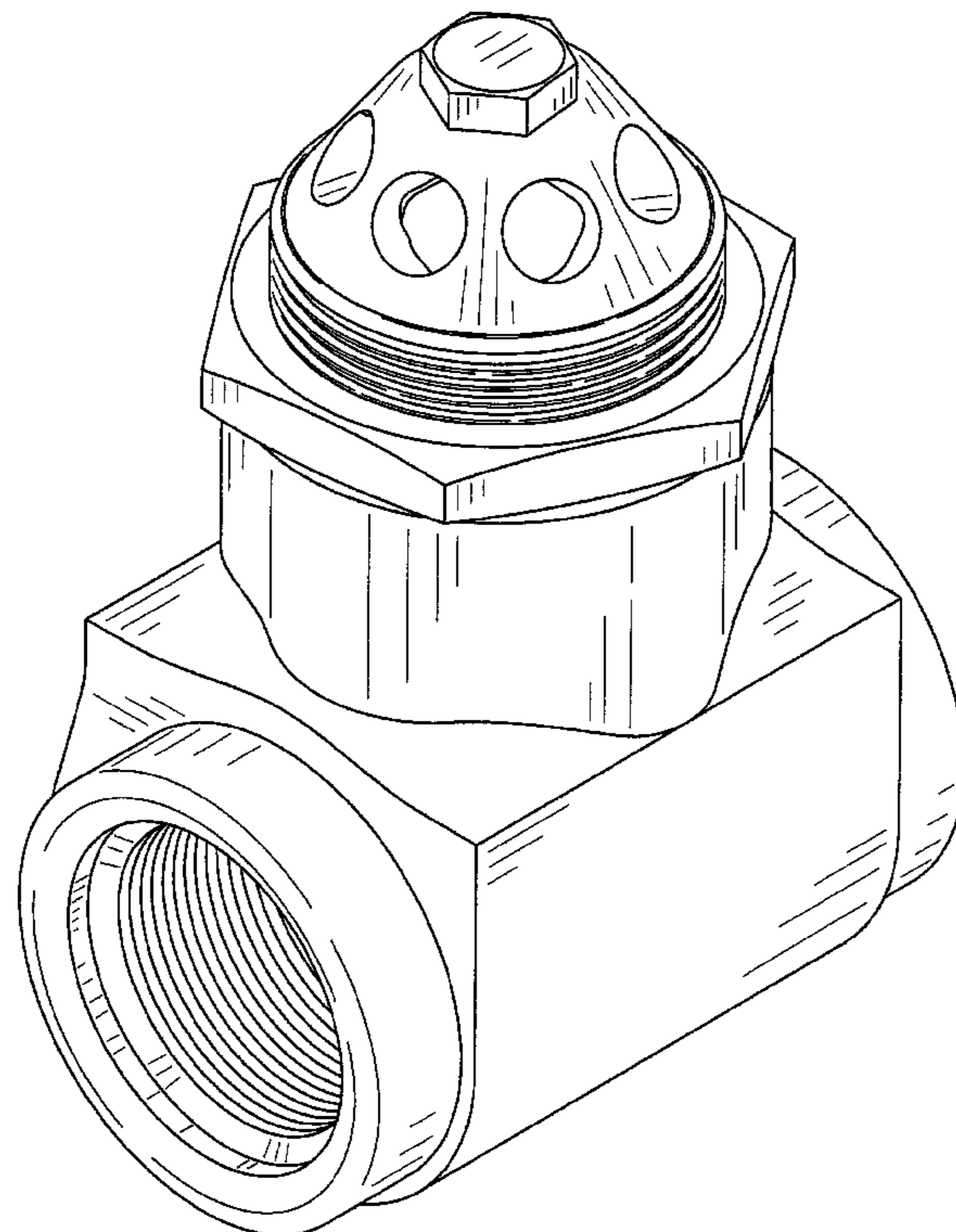
FIG. 3 is a rear elevational view thereof;

FIG. 4 is a front elevational view thereof;

FIG. 5 is a top plan view thereof; and,

FIG. 6 is a bottom plan view thereof.

1 Claim, 6 Drawing Sheets



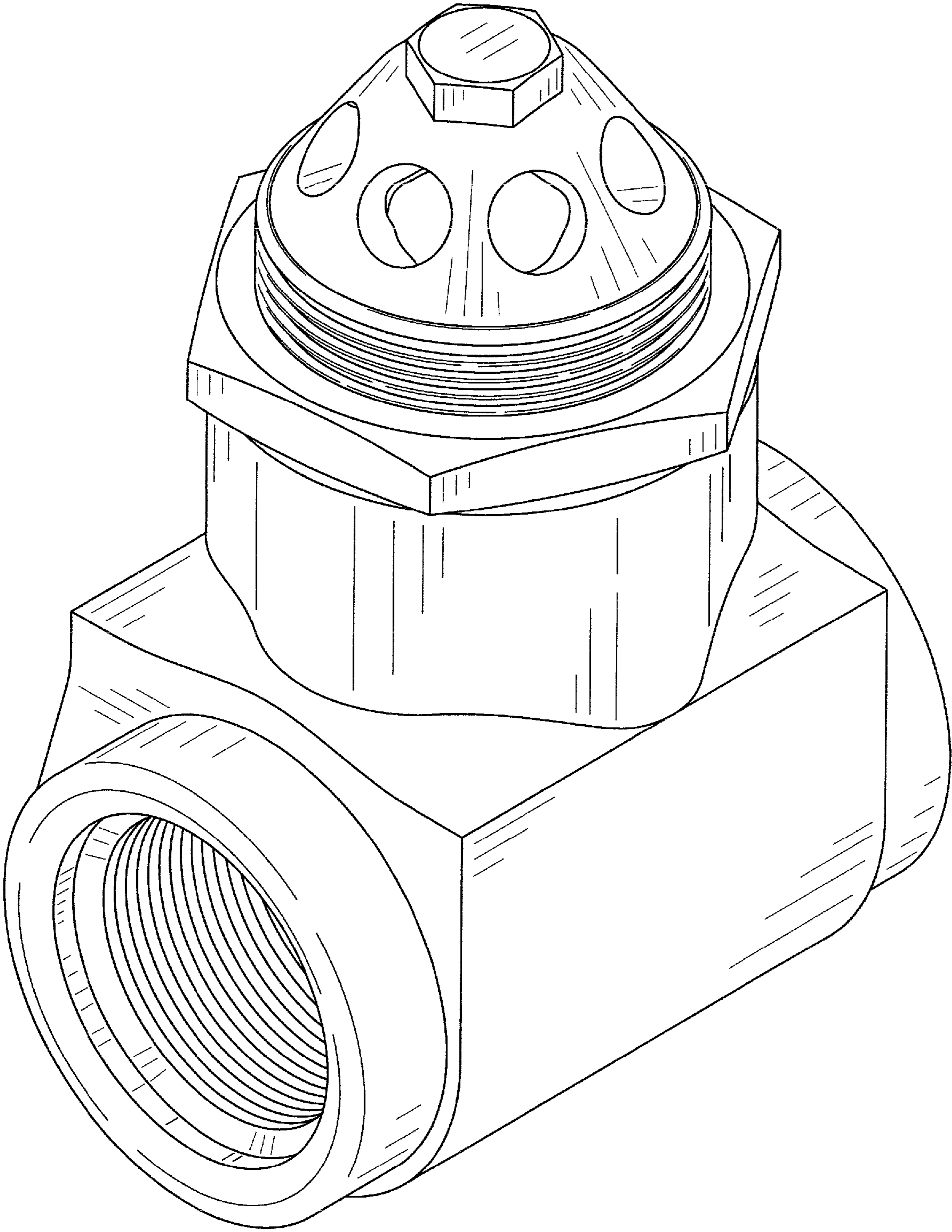


FIG. 1

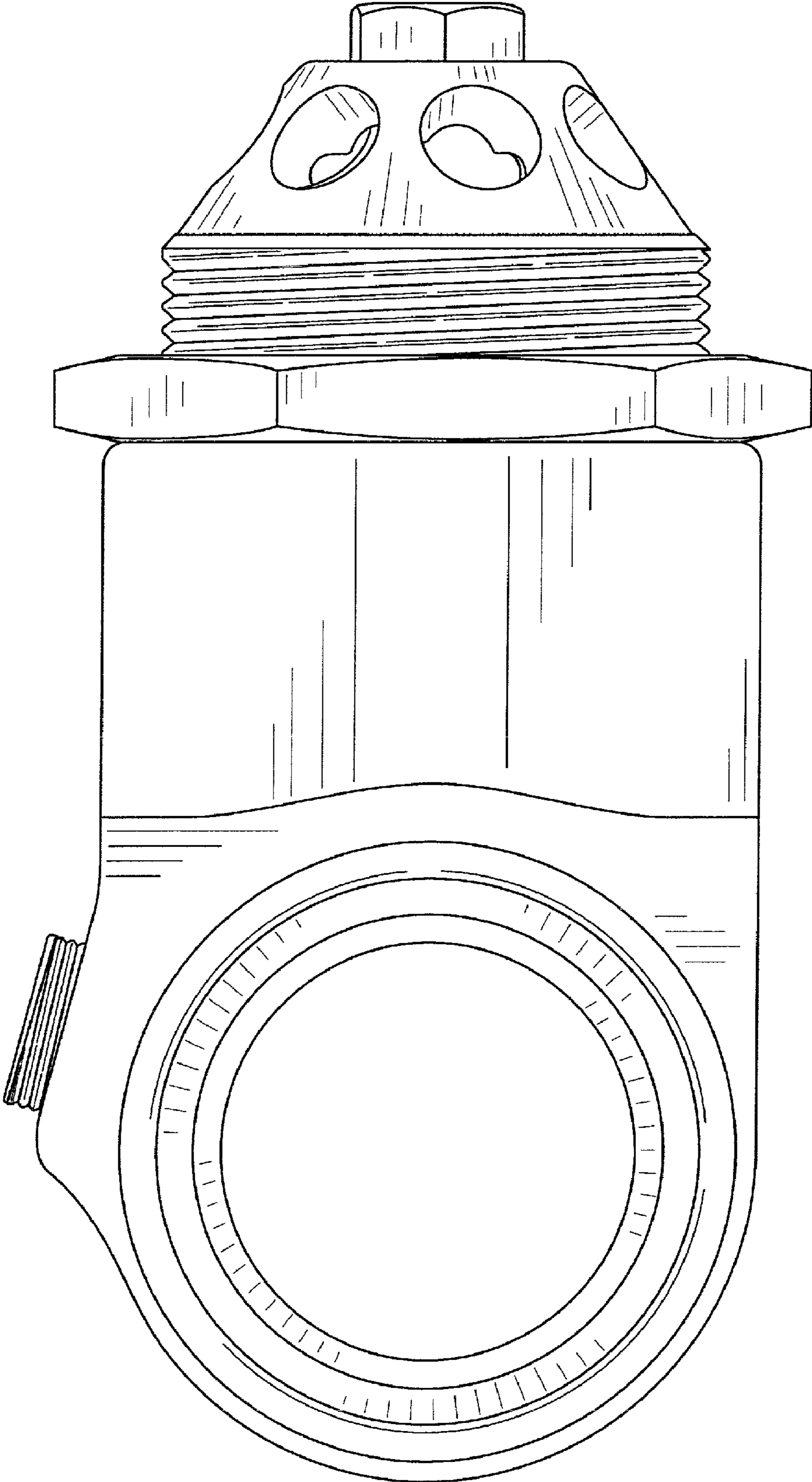


FIG. 2

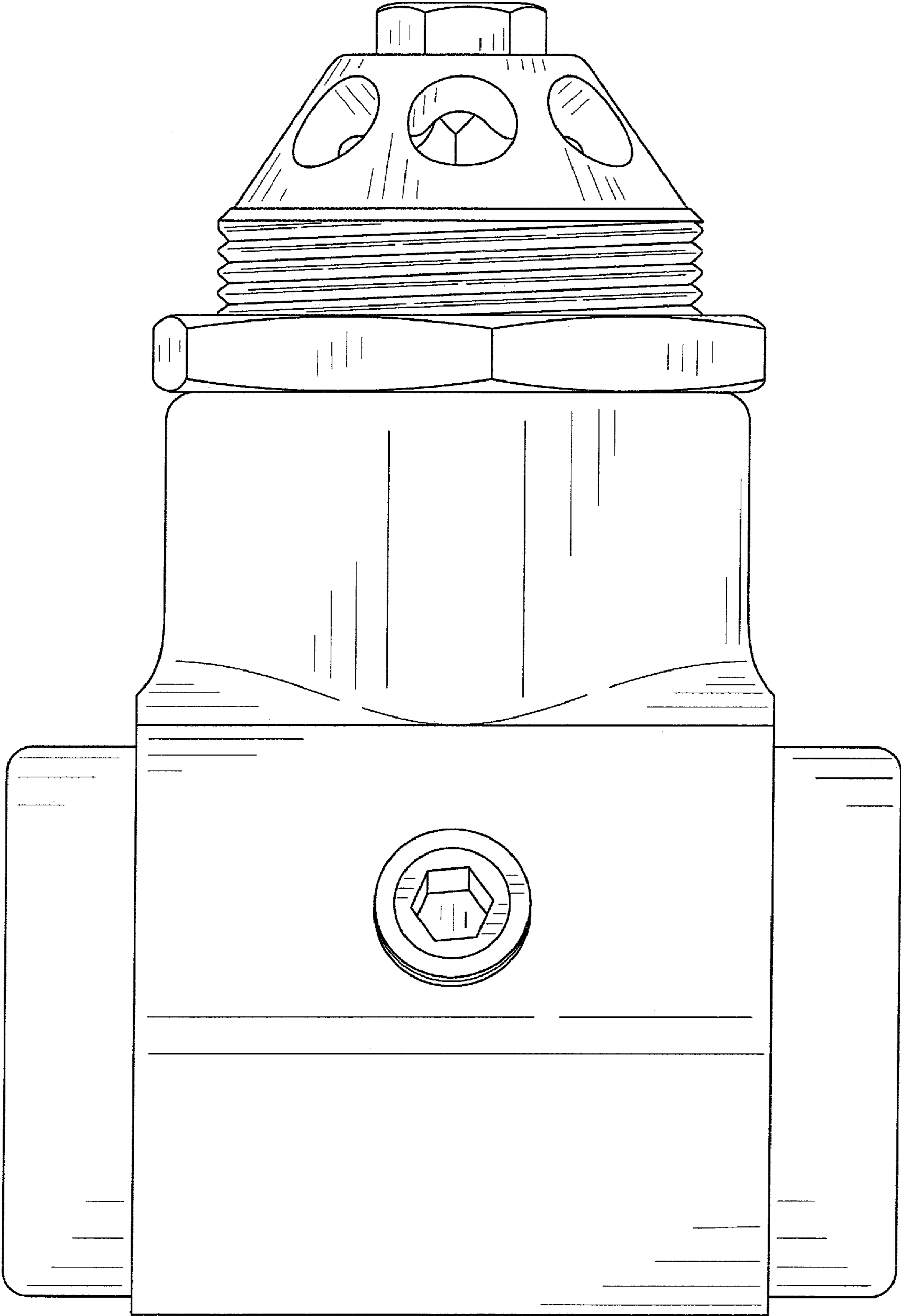


FIG. 3

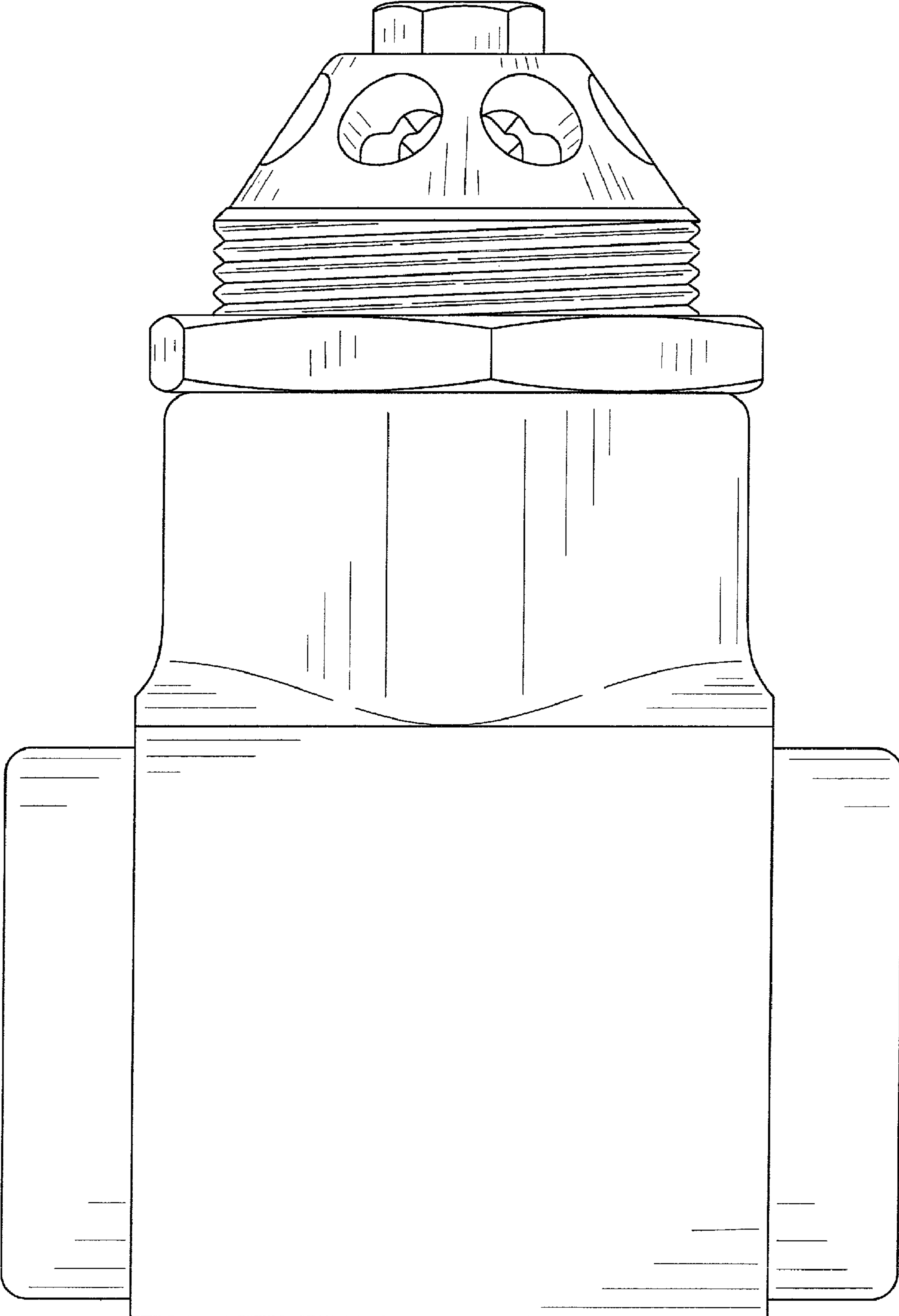


FIG. 4

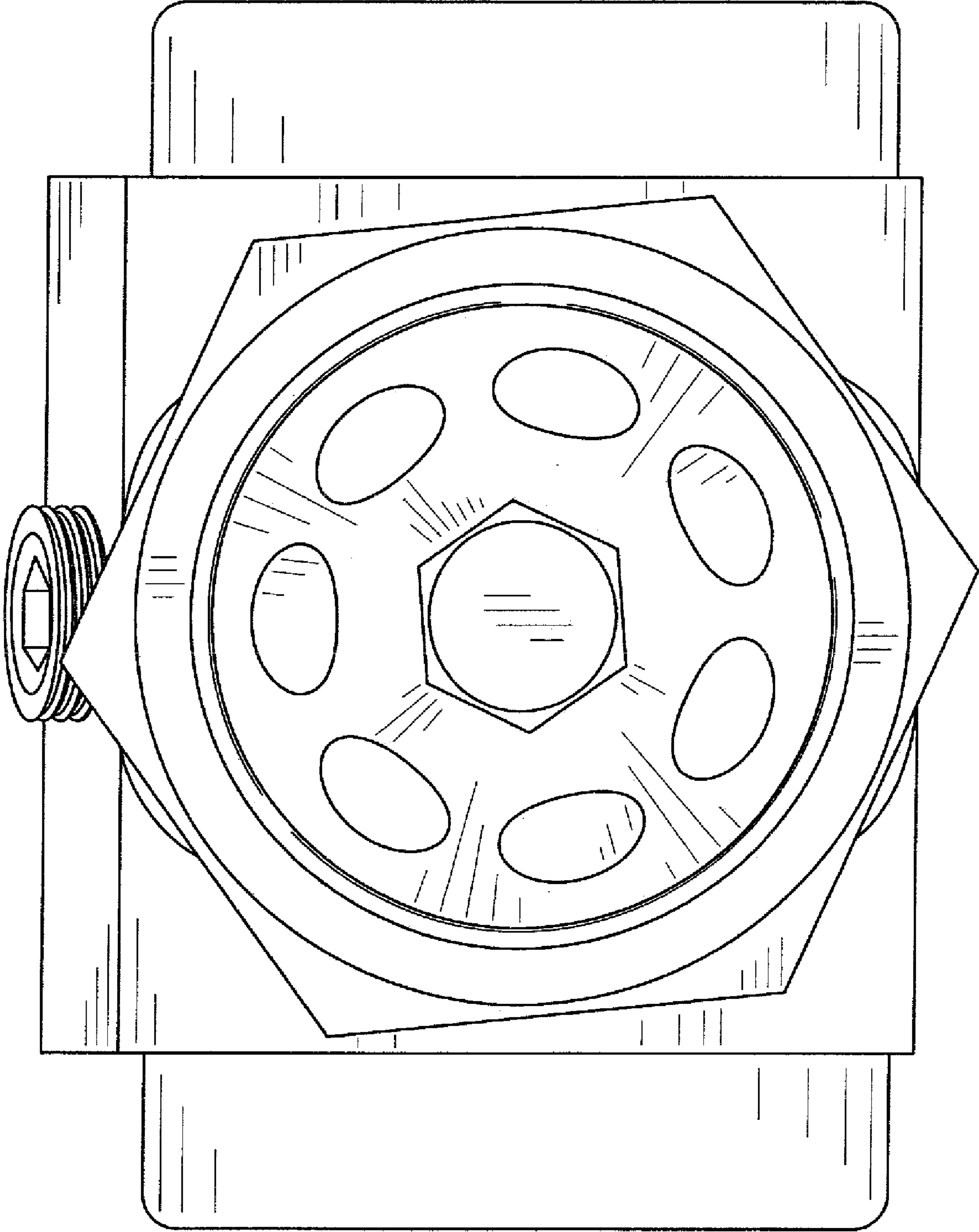


FIG. 5

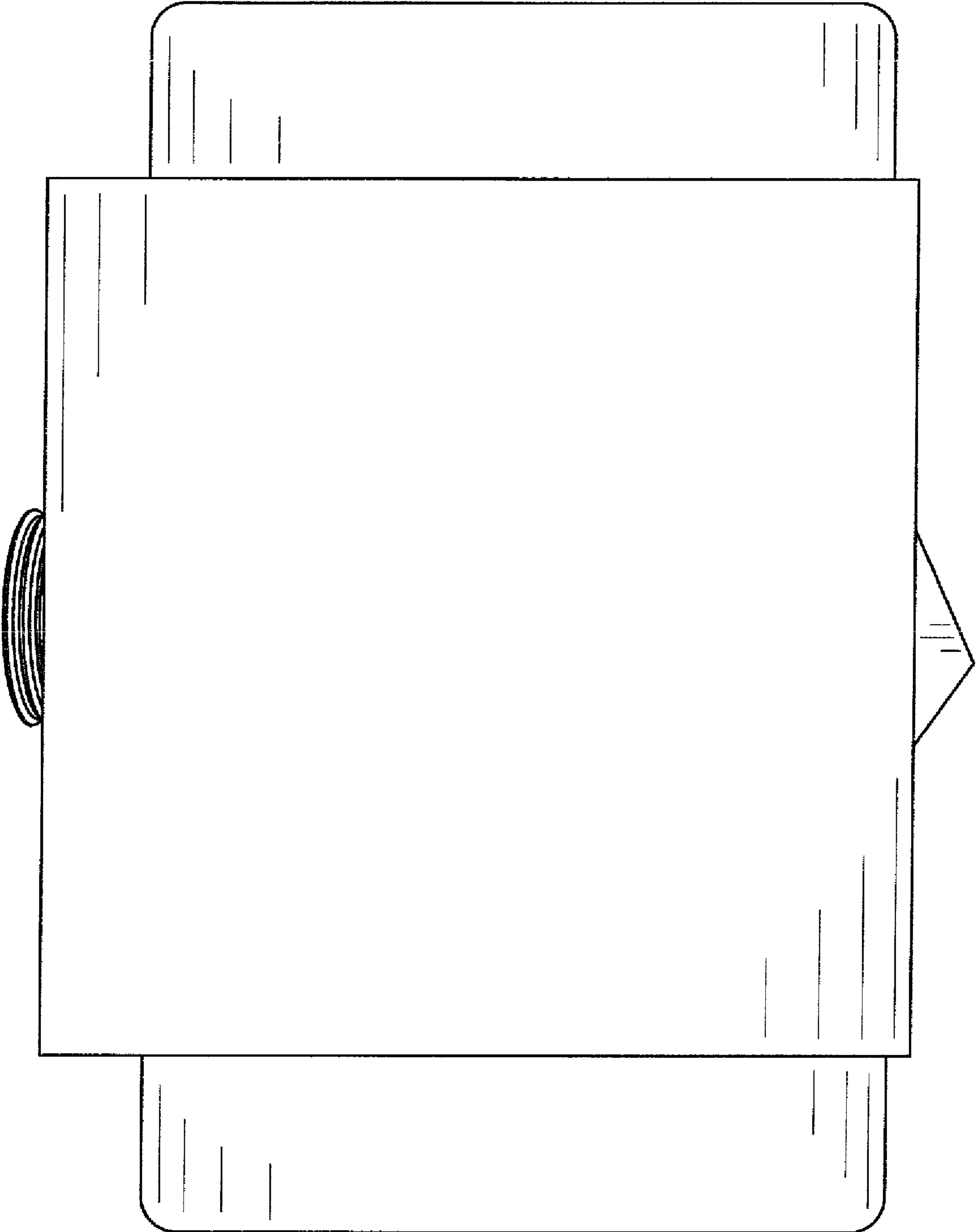


FIG. 6