



US00D622279S

(12) **United States Design Patent**
Ma

(10) **Patent No.:** **US D622,279 S**

(45) **Date of Patent:** **** Aug. 24, 2010**

(54) **FLASH DRIVE**

TW M368821 11/2009

(75) Inventor: **Tien-Chi Ma**, Taipei (TW)

OTHER PUBLICATIONS

(73) Assignee: **PNY Technologies, Inc.**, Parsippany, NJ (US)

Design Registration No. 300503920.0000 [Korea], filed on Jul. 22, 2008, registered on Aug. 25, 2008.*

Design Registration No. 300500238.0000 [Korea], filed on Nov. 28, 2008, registered on Jul. 23, 2008.*

Design Registration No. 300414236.0000 [Korea], filed on Jul. 28, 2005, registered on May 8, 2006.*

(**) Term: **14 Years**

(21) Appl. No.: **29/311,792**

10 Stupid and/or Cool USB Flash Drives : EveryJoe—Sports News—Tech Reviews—Entertainment—Life Tips for EveryJoe, [online] posted on Nov. 2, 2009 [retrieved on Nov. 2, 2009]. Retrieved from the Internet <URL: <http://www.everyjoe.com/articles/10-stupid-andor-cool-usb-flash-drives/>>.*

(22) Filed: **Jun. 24, 2009**

U.S. Appl. No. 29/311,791, entitled: "Flash Drive," filed Jun. 24, 2009 (8 pages).

(51) **LOC (9) Cl.** **14-02**

(52) **U.S. Cl.** **D14/480.6**

(58) **Field of Classification Search** D14/356,
D14/411, 433, 435.1, 436, 137, 155, 167,
D14/168, 203.1–203.8, 240, 242, 299, 480.1–480.7,
D14/484.1; D3/201, 273; D13/107, 108,
D13/149, 184; 710/300, 301; 439/131, 135–147;
361/679.31, 679.33, 679.4, 752; 711/100,
711/115

See application file for complete search history.

(Continued)

Primary Examiner—Cathron C Brooks

Assistant Examiner—Karen E Kearney

(74) *Attorney, Agent, or Firm*—McCarter & English, LLP

(56) **References Cited**

U.S. PATENT DOCUMENTS

D556,751 S *	12/2007	Rambosek et al.	D14/356
D580,434 S *	11/2008	Kim	D14/356
D581,926 S	12/2008	Kim		
7,466,556 B2 *	12/2008	Hiew et al.	361/737
7,473,112 B2 *	1/2009	Zhu et al.	439/142
D594,871 S *	6/2009	Ma	D14/480.6
D602,026 S *	10/2009	Lo	D14/480.7
D606,078 S *	12/2009	Chen	D14/480.6
D607,433 S *	1/2010	Drori et al.	D14/167
D610,157 S *	2/2010	Ma	D14/480.6
2008/0094807 A1	4/2008	Hiew et al.		
2008/0288697 A1 *	11/2008	Kim	710/300
2010/0075517 A1 *	3/2010	Ni et al.	439/131

FOREIGN PATENT DOCUMENTS

TW 352748 3/2009

(57) **CLAIM**

The ornamental design for a flash drive, as shown.

DESCRIPTION

FIG. 1 is a perspective view of a flash drive showing my new design;

FIG. 2 is a front elevational view thereof;

FIG. 3 is a rear elevational view thereof;

FIG. 4 is a left side elevational view thereof;

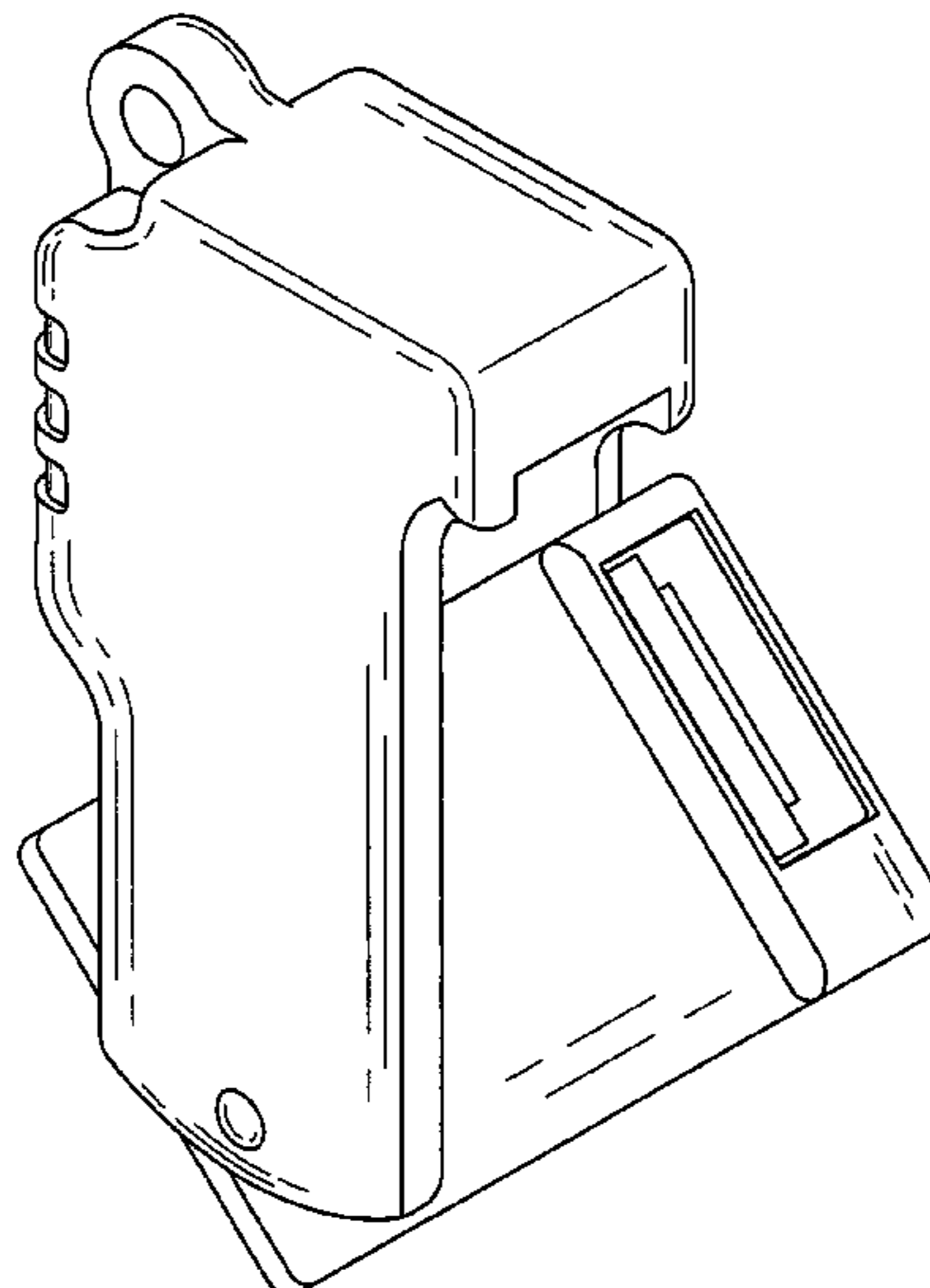
FIG. 5 is a right side elevational view thereof;

FIG. 6 is a top plan view thereof;

FIG. 7 is a bottom plan view thereof; and,

FIG. 8 is a perspective view showing a partially opened state of this design.

1 Claim, 7 Drawing Sheets



OTHER PUBLICATIONS

Taiwan Patent Application No. 98302639, entitled "Flash Drive," filed on Jun. 10, 2009 (15 pages).

Taiwan Patent Application No. 98302640, entitled: "Flash Drive," filed on Jun. 10, 2009 (15 pages).

Chinese Patent Application No. 200920156532.9, entitled: "Computer peripheral Device," filed on Jun. 22, 2009 (with English Translation) (42 pages).

Chinese Patent Application No. 200930187733.0, entitled: "Flash Drive," filed on Jun. 24, 2009 (10 pages).

Chinese Patent Application No. 200930181478.9, entitled: "Flash Drive," filed on Jun. 18, 2009 (6 pages).

Notification of Correction issued on Nov. 25, 2009, from the State Intellectual Property Office in connection with Chinese Application No. 2009301877330 (1 page).

Notice of Allowance dated May 29, 2010 from U.S. Appl. No. 29/311,791 (6 pages).

* cited by examiner

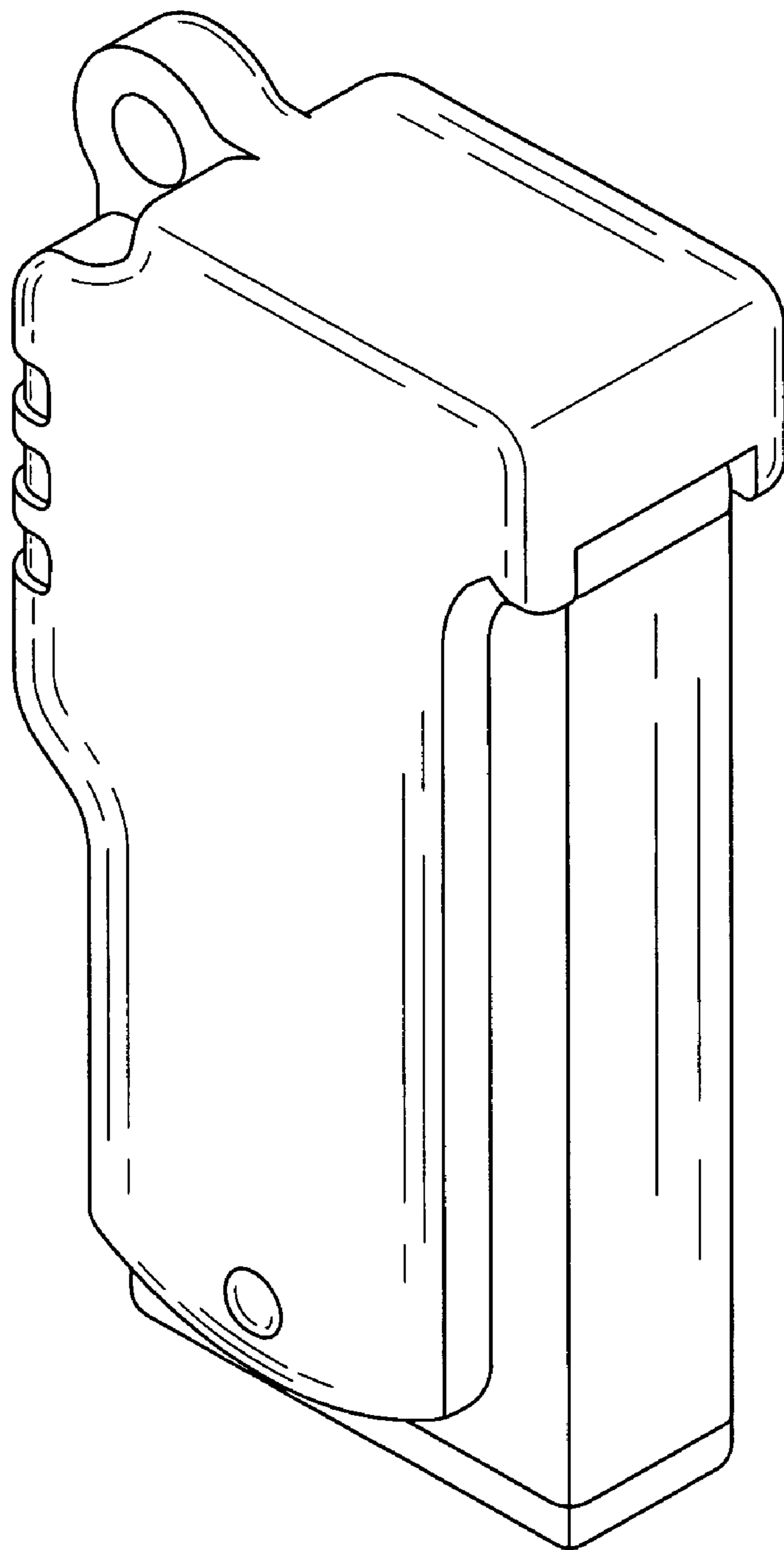


FIG. 1

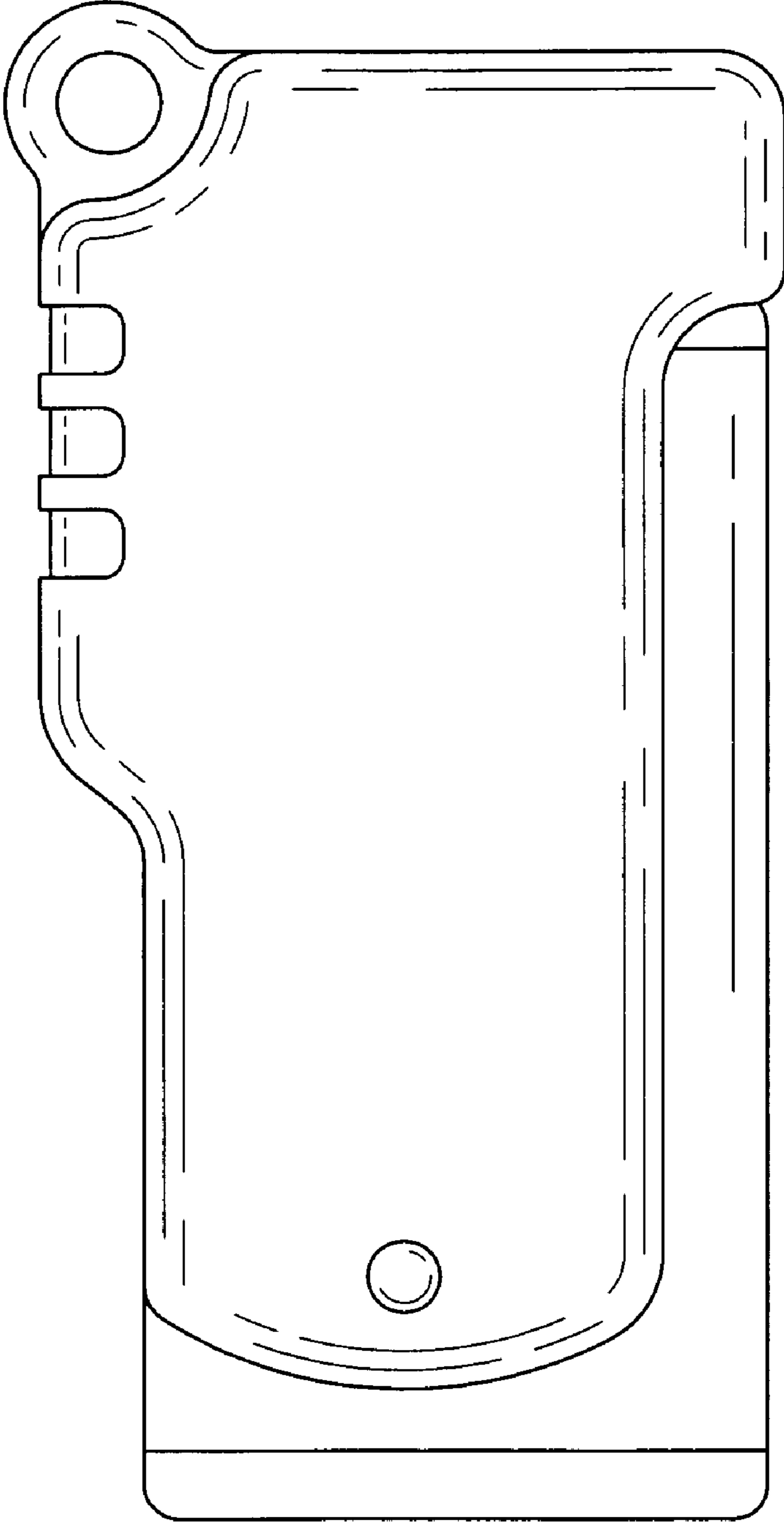


FIG. 2

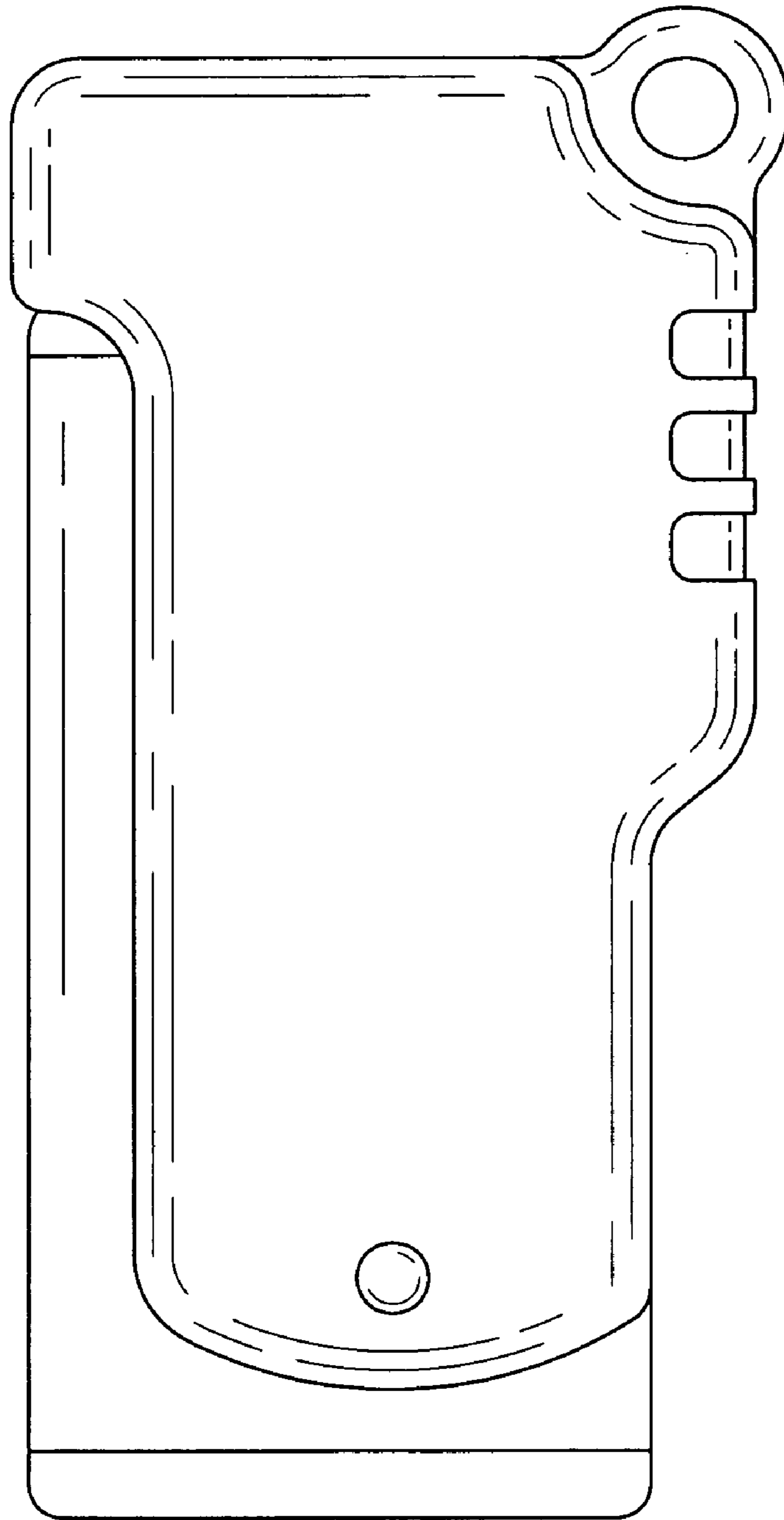


FIG. 3

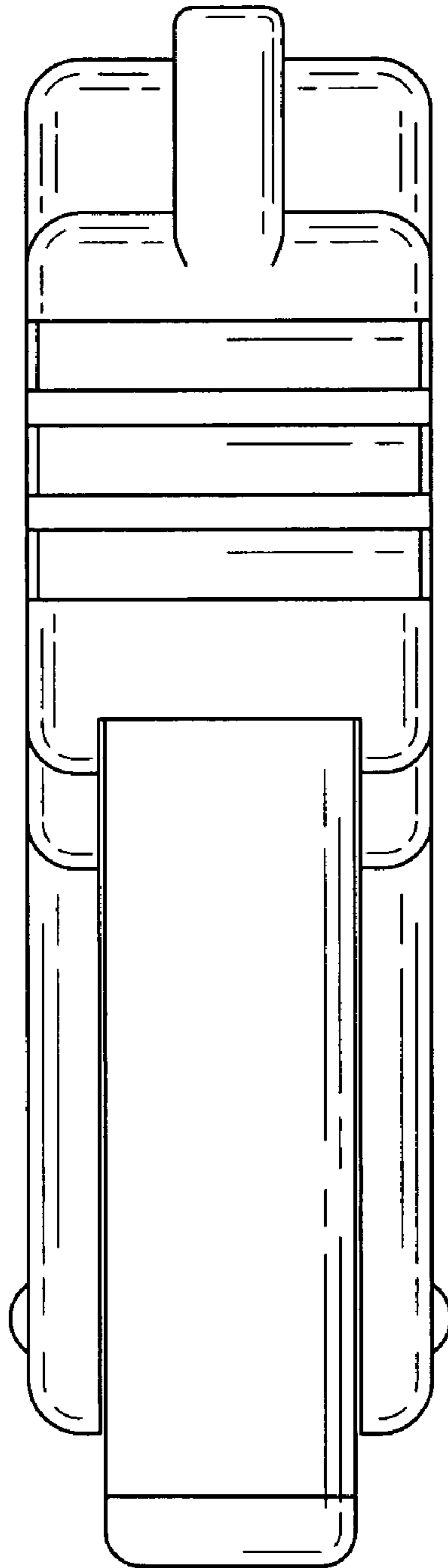


FIG. 4

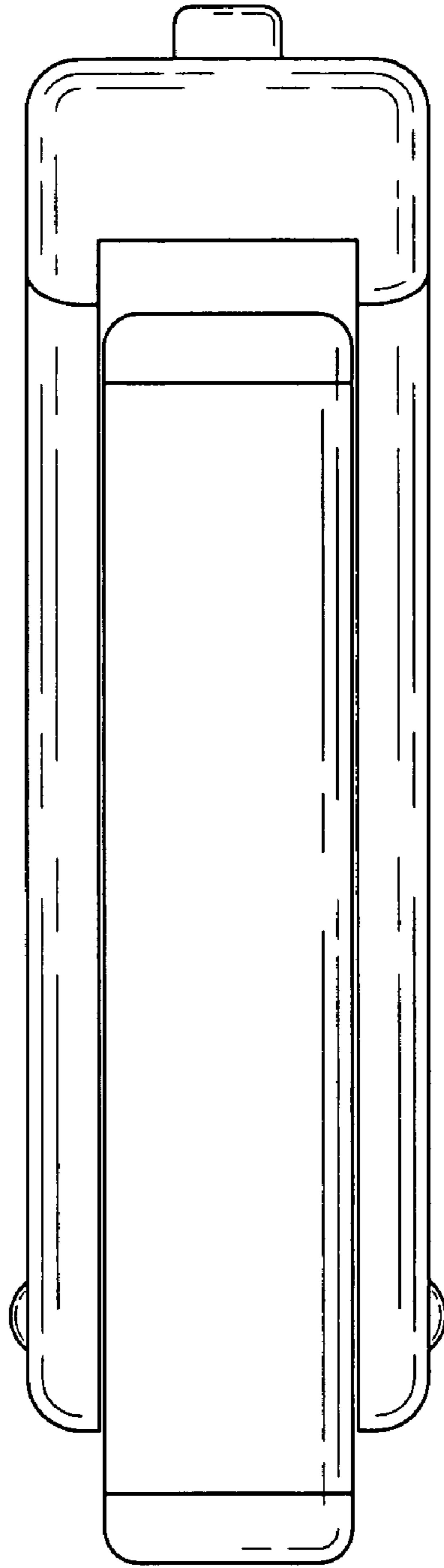


FIG. 5

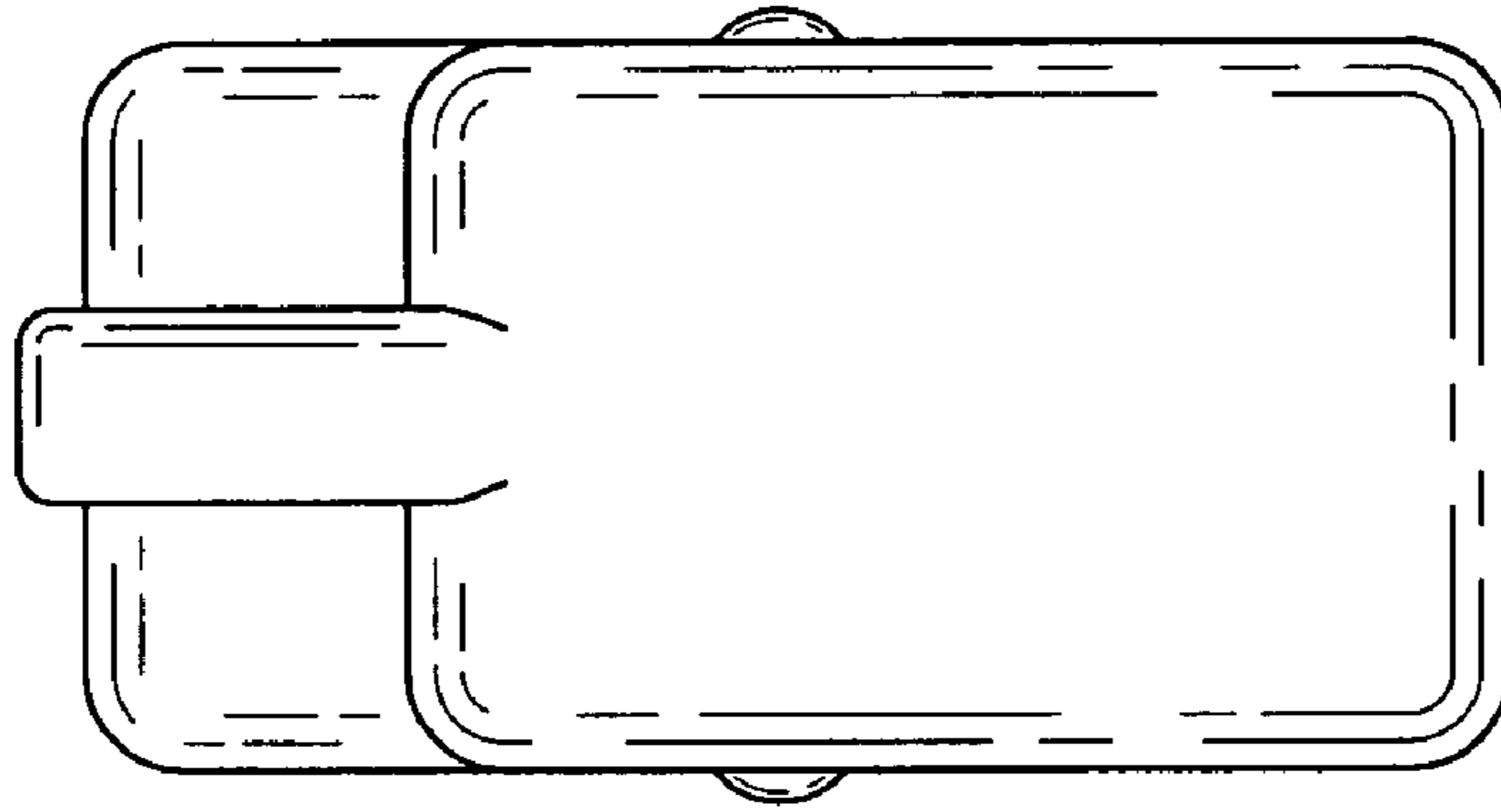


FIG. 6

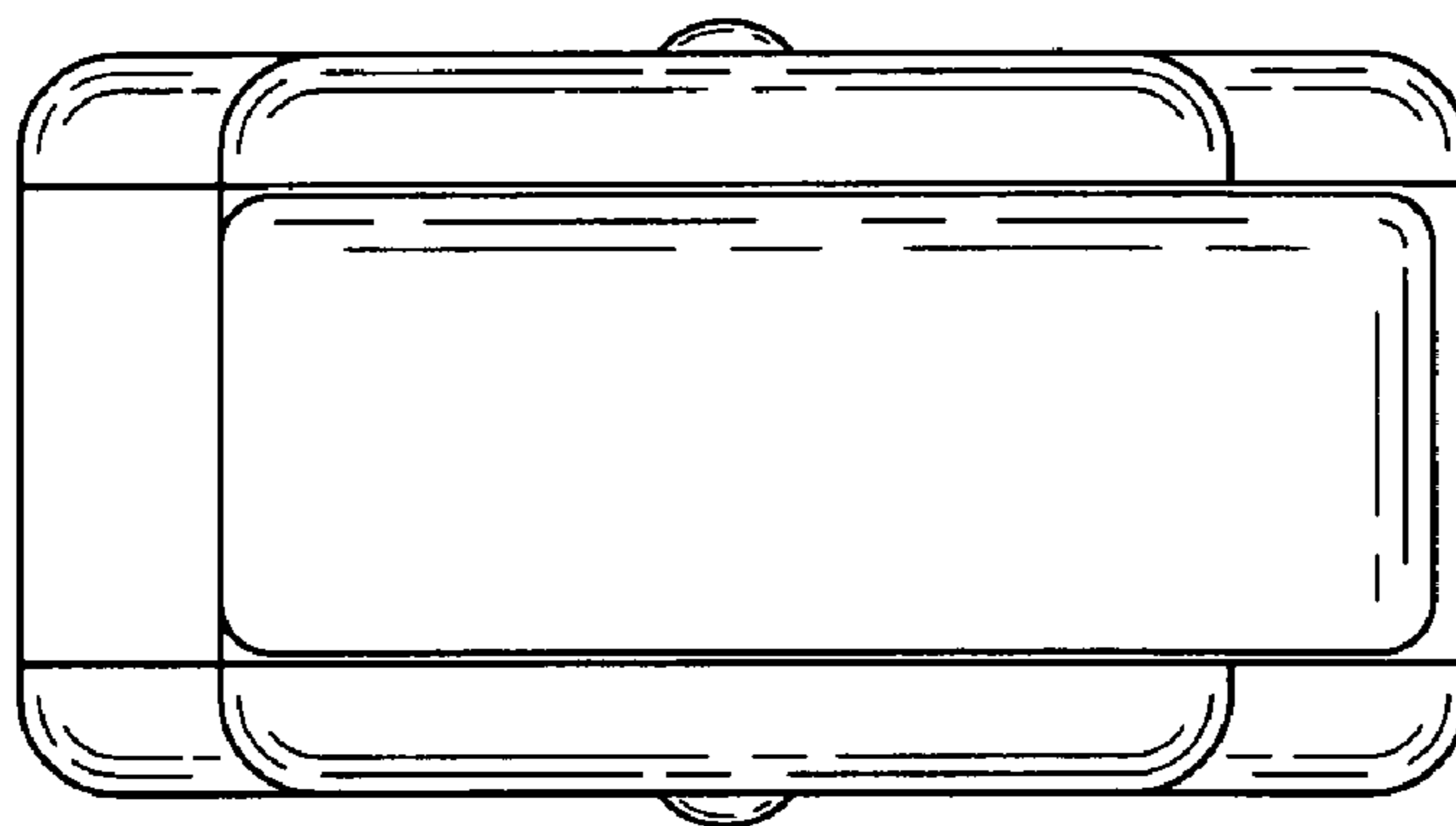


FIG. 7

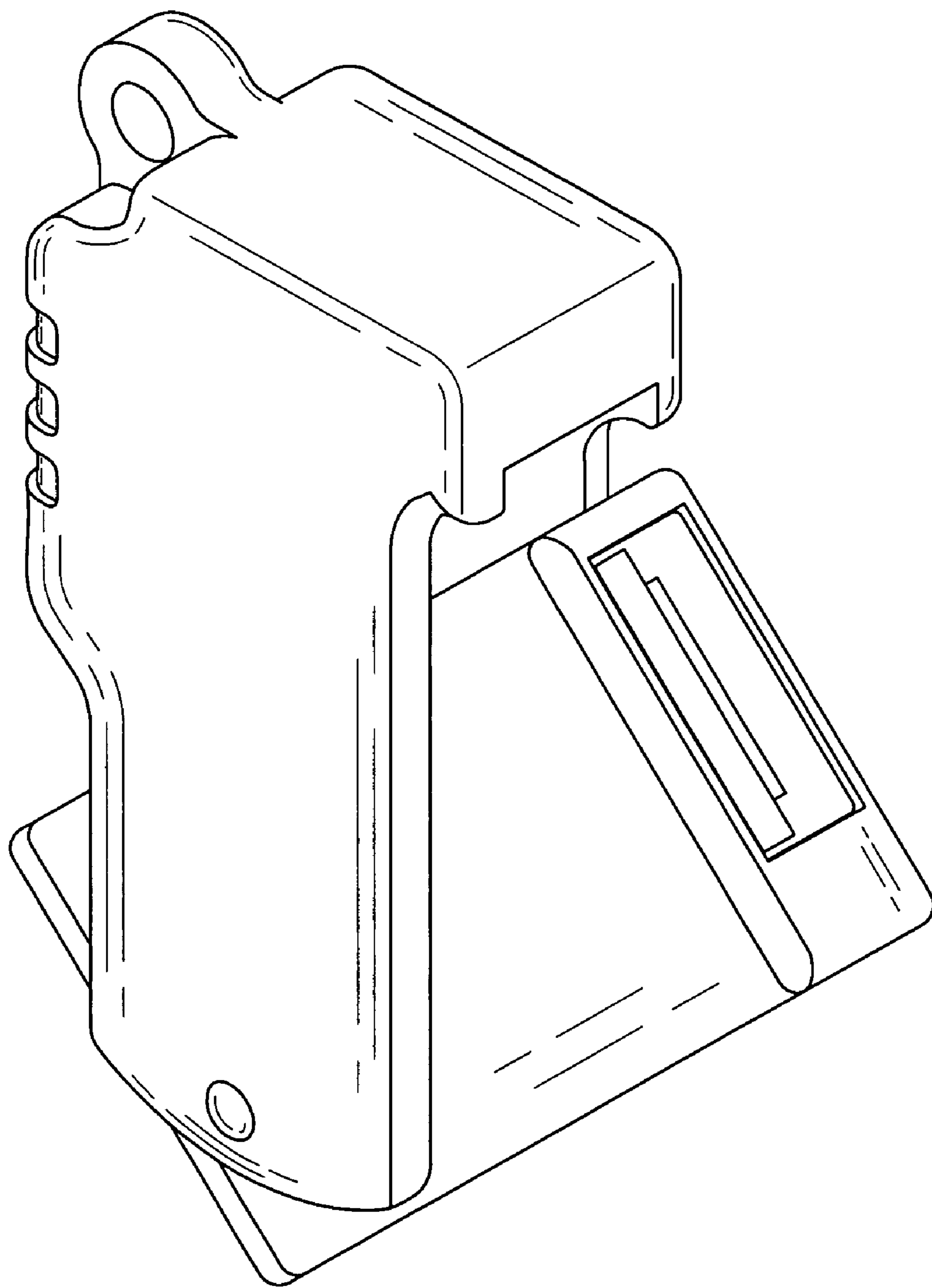


FIG. 8

UNITED STATES PATENT AND TRADEMARK OFFICE
CERTIFICATE OF CORRECTION

PATENT NO. : D622,279 S
APPLICATION NO. : 29/311792
DATED : August 24, 2010
INVENTOR(S) : Tien-Chi Ma

Page 1 of 1

It is certified that error appears in the above-identified patent and that said Letters Patent is hereby corrected as shown below:

In the References Cited Section, on Page 1 of the patent, in the first column under FOREIGN PATENT DOCUMENTS, the patent number of the first foreign document cited should be listed as "M352748."

On Page 2 of the patent, under OTHER PUBLICATIONS, in the third reference, the word "peripheral" should be capitalized.

Signed and Sealed this
Twenty-fifth Day of January, 2011

A handwritten signature in black ink that reads "David J. Kappos". The signature is written in a cursive, slightly slanted style.

David J. Kappos
Director of the United States Patent and Trademark Office