



US00D622277S

(12) **United States Design Patent**
Yang

(10) **Patent No.:** **US D622,277 S**

(45) **Date of Patent:** **** Aug. 24, 2010**

(54) **MOBILE STORAGE DEVICE**

(75) Inventor: **Hsin-Yung Yang**, Tu-Cheng (TW)

(73) Assignee: **Chi Mei Communication Systems, Inc.**, Tu-Cheng, Taipei County (TW)

(**) Term: **14 Years**

(21) Appl. No.: **29/335,206**

(22) Filed: **Apr. 10, 2009**

(30) **Foreign Application Priority Data**

Dec. 22, 2008 (CN) 2008 3 0303392

(51) **LOC (9) Cl.** **14-02**

(52) **U.S. Cl.** **D14/480.5**

(58) **Field of Classification Search** D14/356,
D14/411, 433, 435.1, 436, 137, 155, 167,
D14/168, 203.1–203.8, 240, 242, 299, 480.1–480.7,
D14/484.1; D3/201, 273; D13/107, 108,
D13/149, 184; 710/300, 301; 439/131, 135–147;
361/679.31, 679.33, 679.4, 752; 711/100,
711/115

See application file for complete search history.

(56) **References Cited**

U.S. PATENT DOCUMENTS

| | | | | | |
|--------------|------|---------|-----------------|-------|------------|
| D462,689 | S * | 9/2002 | Moran | | D14/433 |
| 6,618,243 | B1 * | 9/2003 | Tirosh | | 361/679.56 |
| D488,158 | S * | 4/2004 | Chen et al. | | D14/433 |
| D530,342 | S * | 10/2006 | Lee et al. | | D14/496 |
| D532,776 | S * | 11/2006 | Griffin | | D14/435.1 |
| D556,196 | S * | 11/2007 | Cheng | | D14/356 |
| D573,577 | S * | 7/2008 | Huang | | D14/155 |
| 7,416,424 | B1 * | 8/2008 | Deckman | | 439/135 |
| D613,742 | S * | 4/2010 | Avery et al. | | D14/411 |
| 2007/0101060 | A1 * | 5/2007 | Robinson et al. | | 711/115 |
| 2010/0055981 | A1 * | 3/2010 | Yang | | 439/620.21 |

OTHER PUBLICATIONS

Design Registration Application No. 000901640-0001 [Europe], registered on Mar. 22, 2008.*

Design Registration No. 300438604.0000 [Korea], filed on Jun. 27, 2006, registered on Jan. 23, 2007.*

Design Registration Application No. 000429626-0002 [Europe], registered on Nov. 11, 2005.*

Design Registration No. 300435932.0000 [Korea], filed on Apr. 24, 2006, registered on Dec. 27, 2006.*

Laptoplog >> Usb: Sintoniza Tv en to Laptop, pp. 6-7 [online] posted on Jan. 3, 2006 [retrieved on Jan. 30, 2007]. Retrieved from the Internet <URL: <http://www.laptoplog.com/category/accesorios/usb/>>.*

(Continued)

Primary Examiner—Cathron C Brooks

Assistant Examiner—Karen E Kearney

(74) *Attorney, Agent, or Firm*—Clifford O. Chi

(57) **CLAIM**

The ornamental design for a mobile storage device, as shown and described.

DESCRIPTION

FIG. 1 is a perspective view of a mobile storage device showing my new design.

FIG. 2 is a front elevational view thereof.

FIG. 3 is a rear elevational view thereof.

FIG. 4 is a left side elevational view thereof.

FIG. 5 is a right side elevational view thereof.

FIG. 6 is a top plan view thereof.

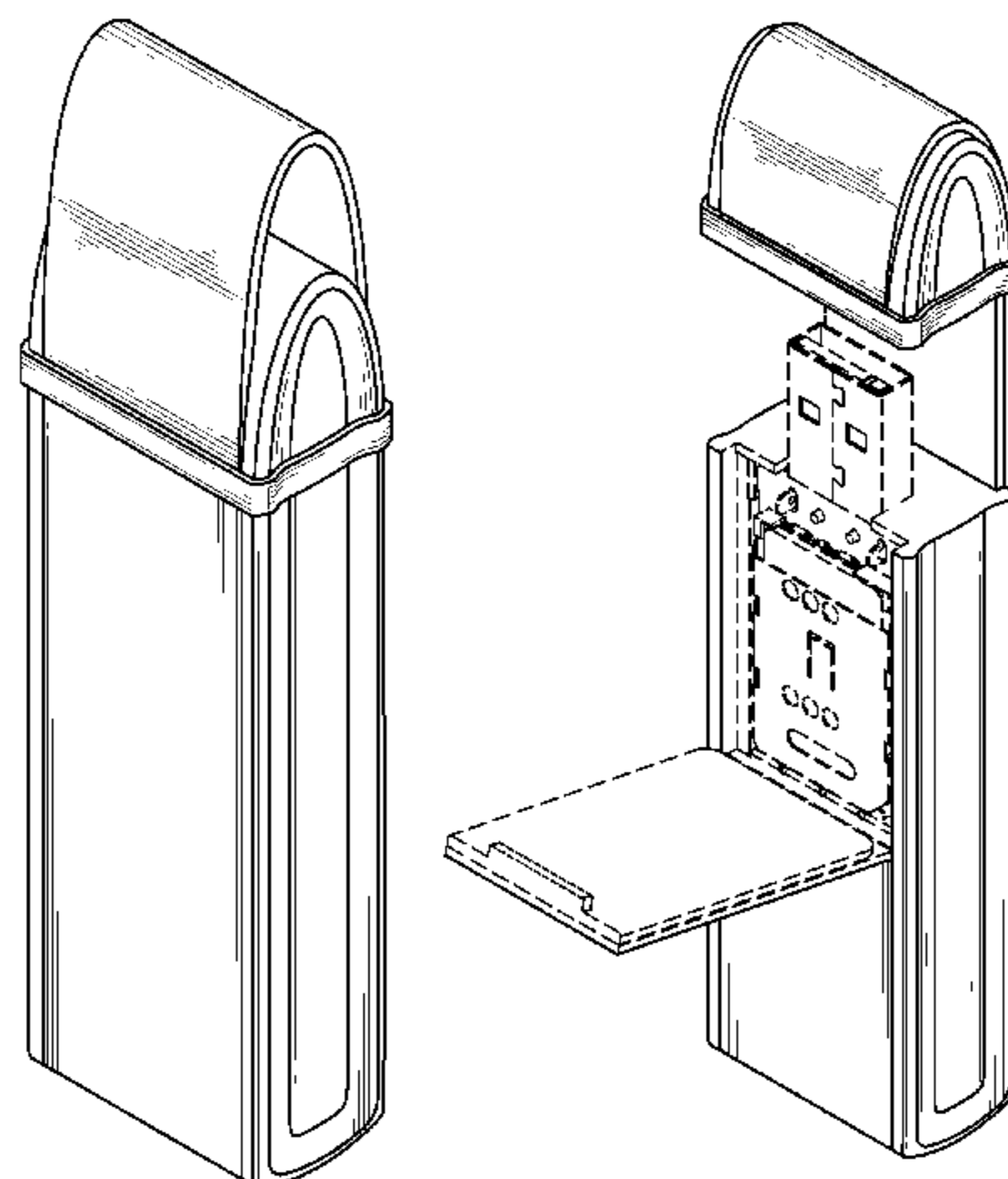
FIG. 7 is a bottom plan view thereof.

FIG. 8 is a perspective view of a first open state thereof; and,

FIG. 9 is a perspective view of a second open state thereof.

The broken line immediately adjacent to the solid line shown in FIGS. 8 and 9 defines the bounds of the claimed design. The broken lines showing the USB connector and various portions are for the purpose of illustrating unclaimed portions. The broken lines form no part of the claimed design.

1 Claim, 9 Drawing Sheets



OTHER PUBLICATIONS

SanDisk Cruzer Pattern USB Flash Drive, [online] posted on Jul. 30, 2008 [retrieved on Mar. 11, 2009]. Retrieved from the Internet

<URL: <http://www.krunker.com/2008/07/30/sandisk-cruzer-pattern-usb-flash-drive/>>.*

* cited by examiner

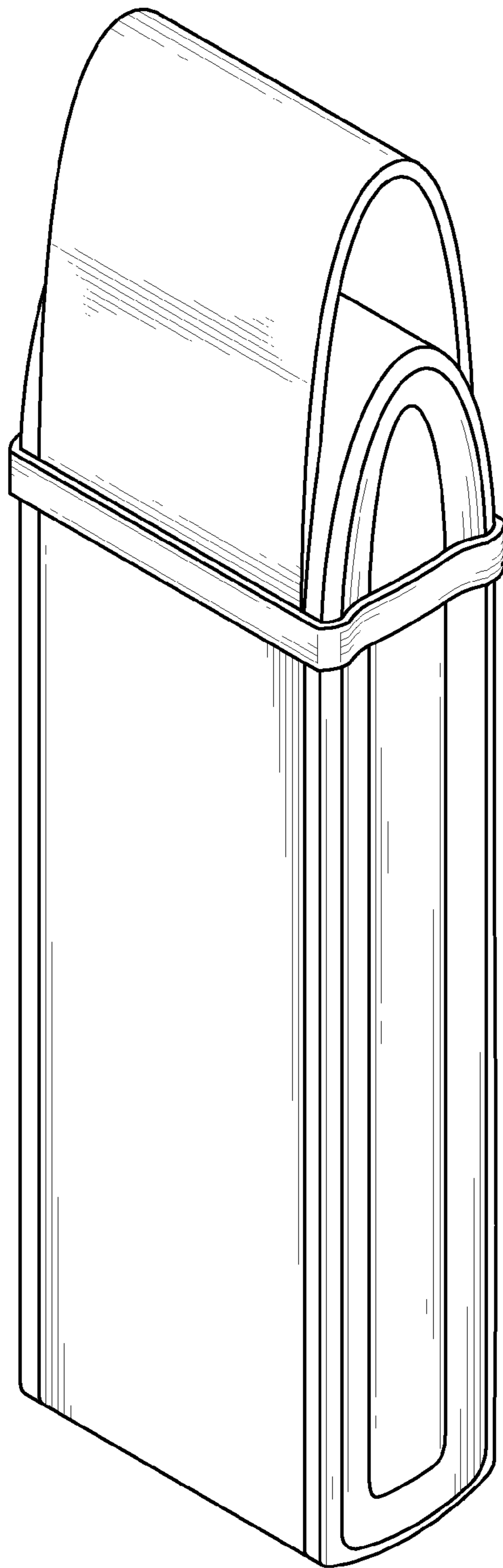


FIG. 1

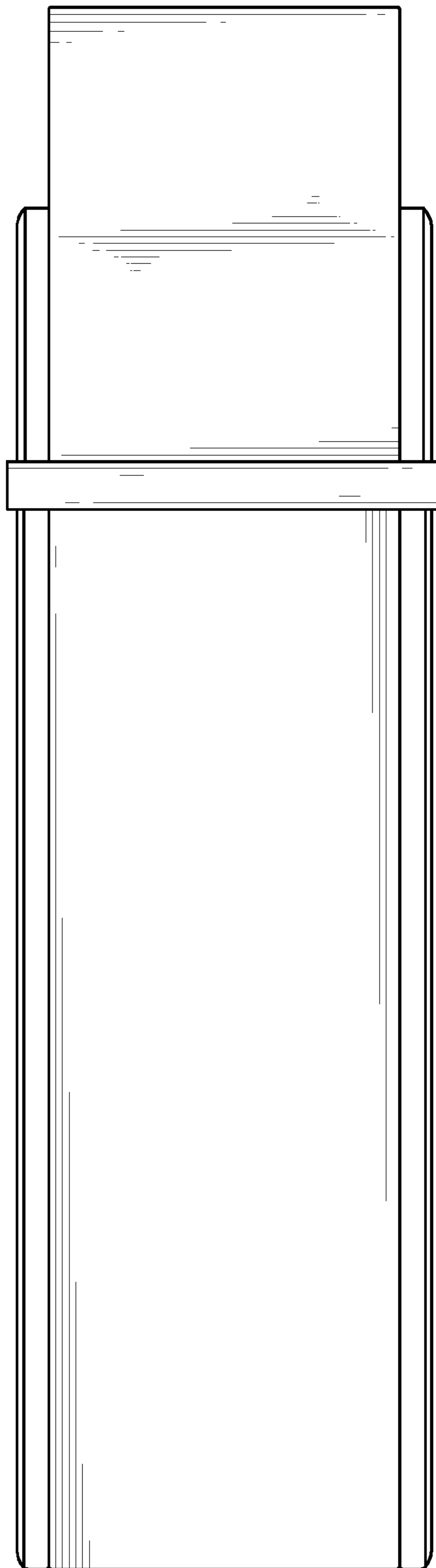


FIG. 2

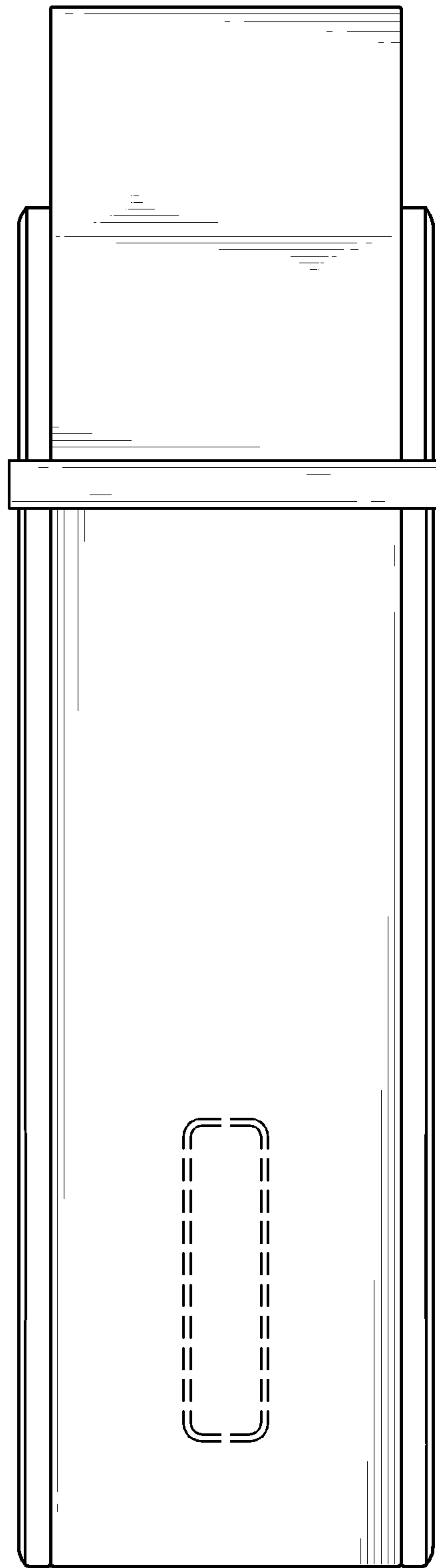


FIG. 3

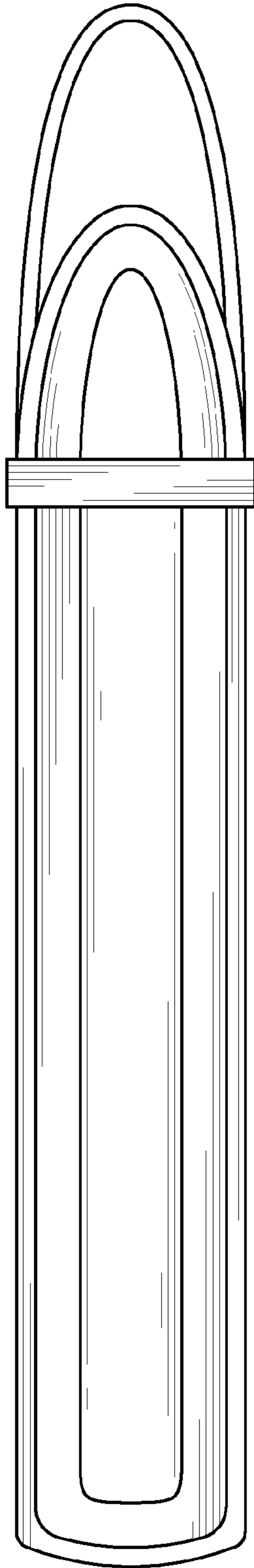


FIG. 4

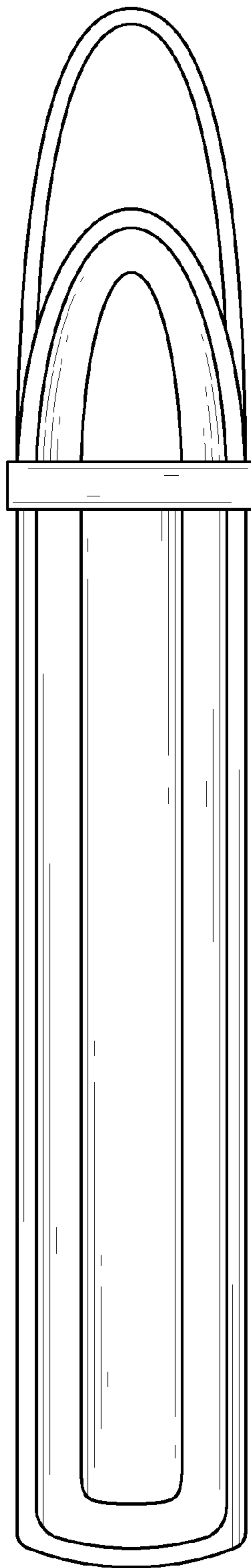


FIG. 5

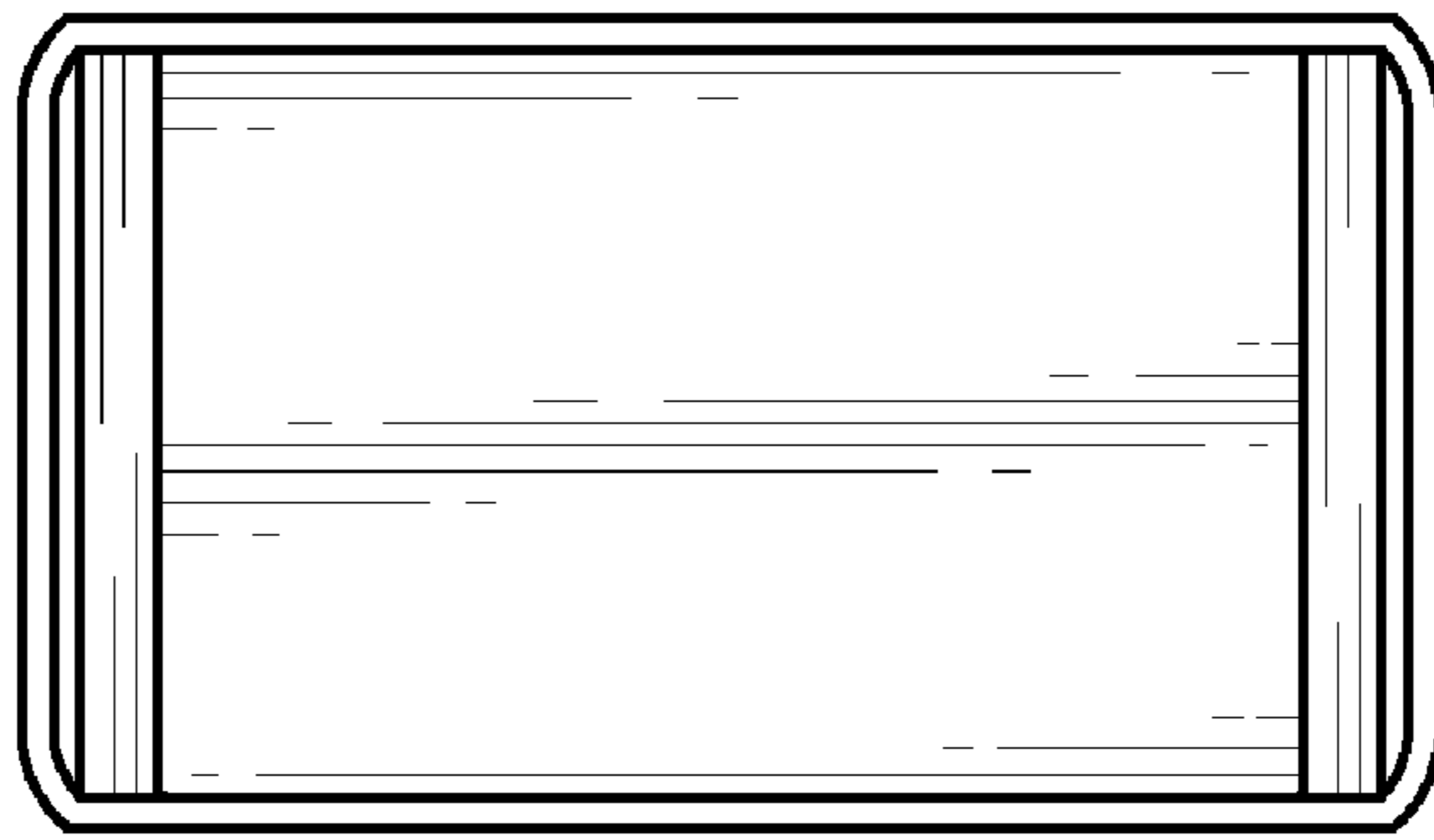


FIG. 6

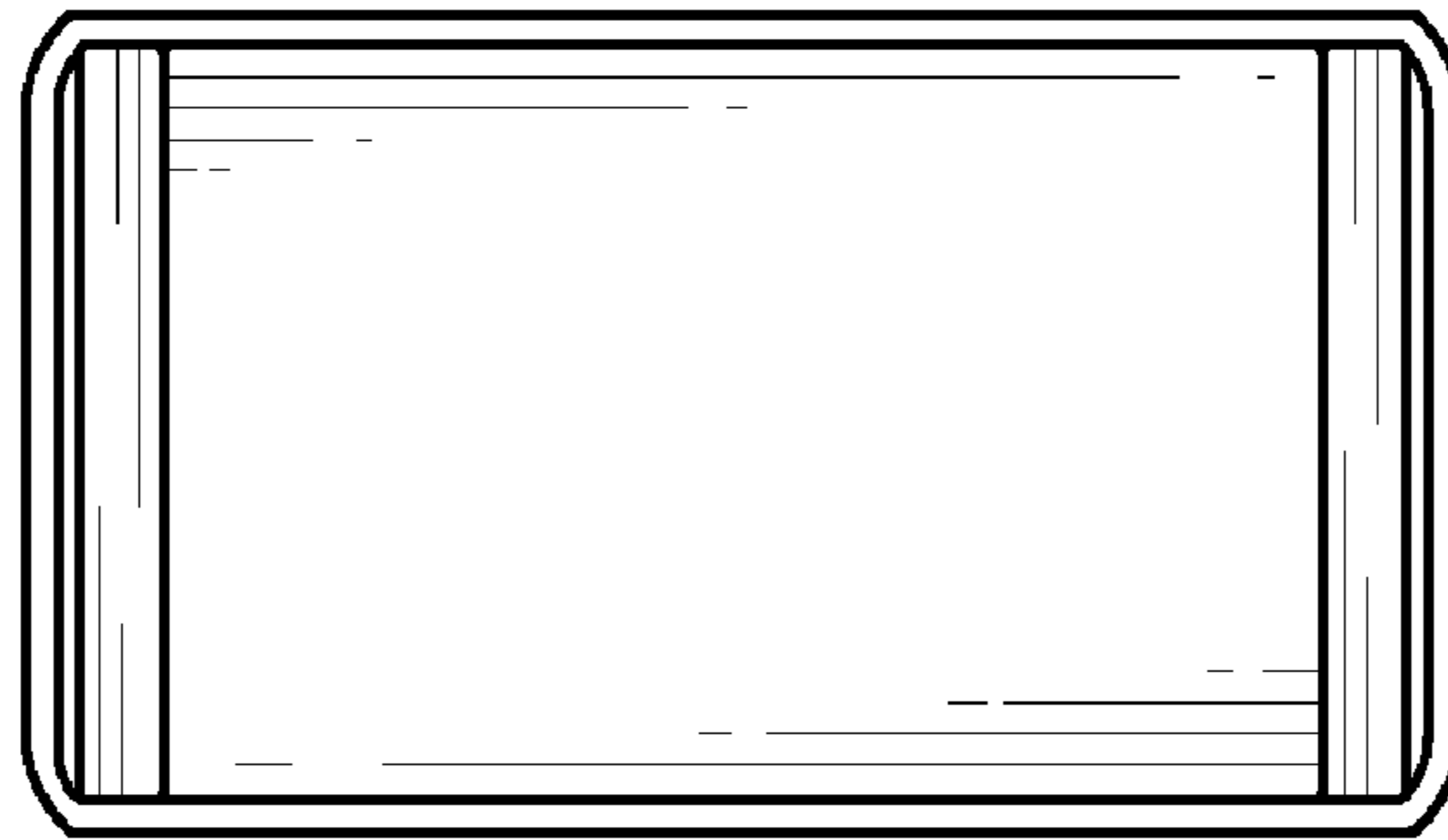


FIG. 7

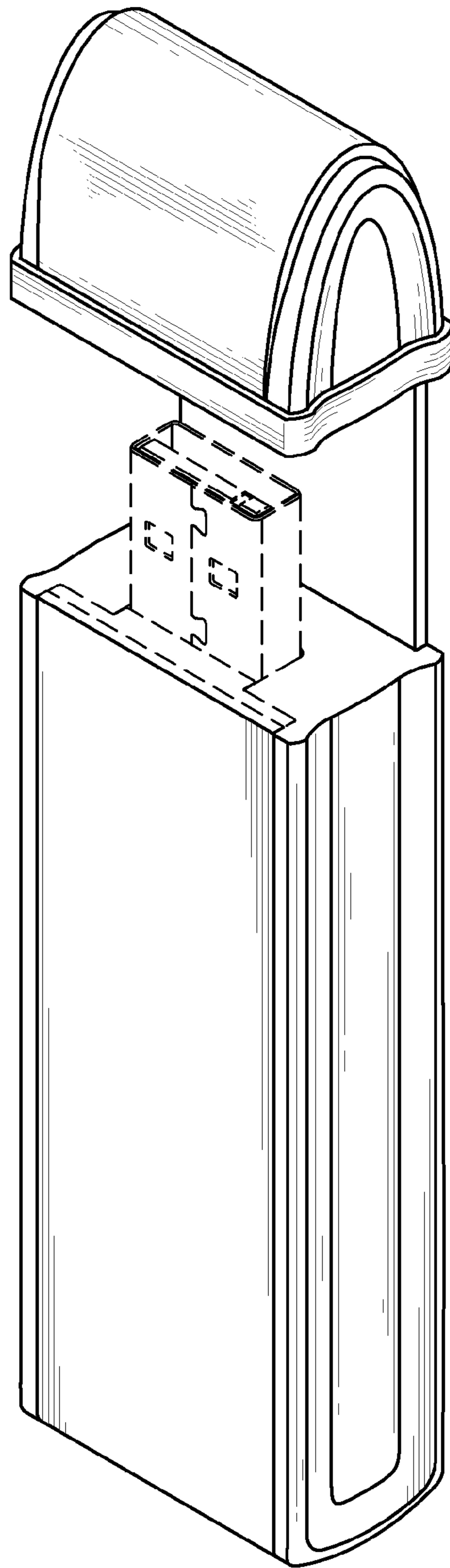


FIG. 8

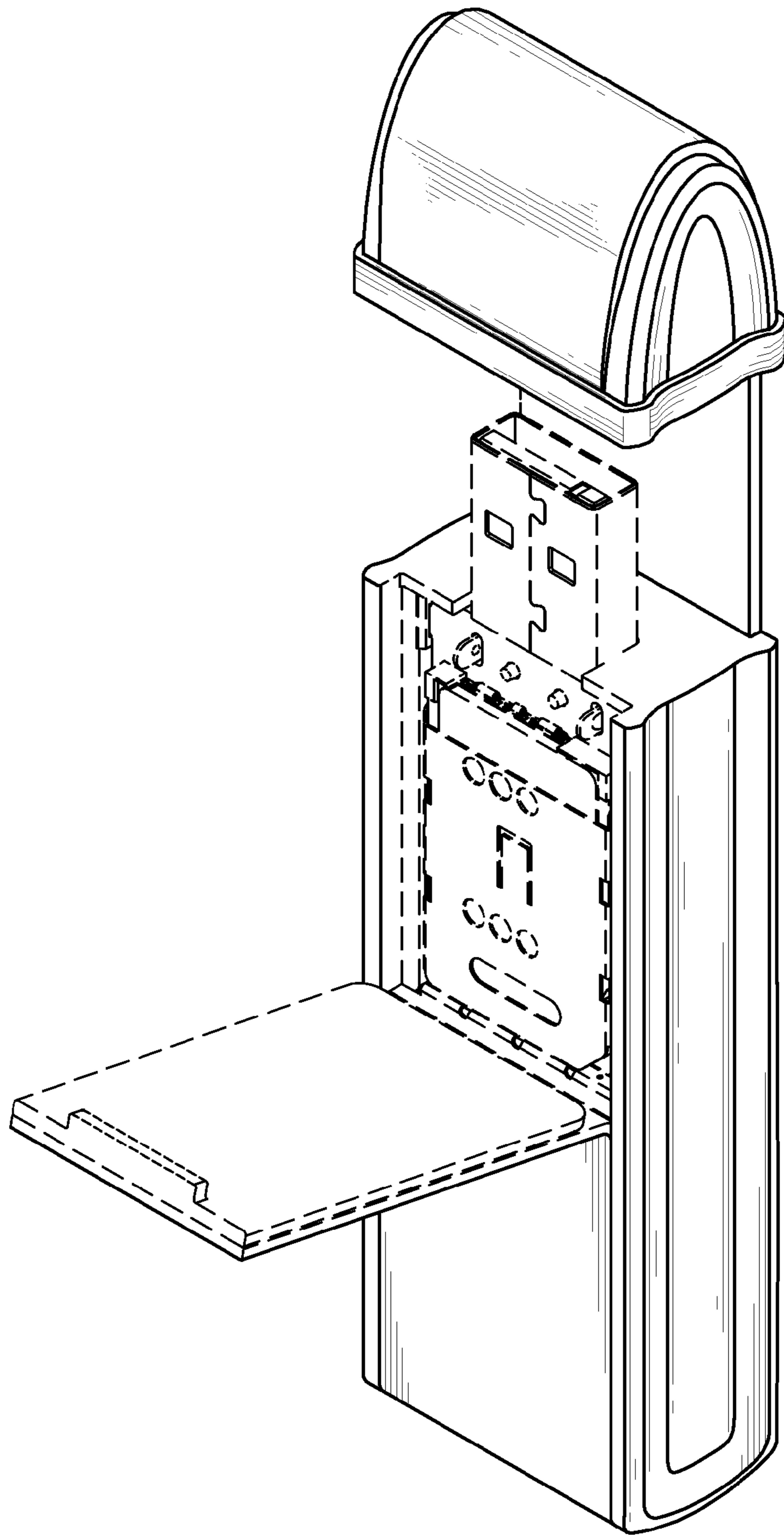


FIG. 9