



US00D622276S

(12) **United States Design Patent**
Tran et al.

(10) **Patent No.:** **US D622,276 S**

(45) **Date of Patent:** **** Aug. 24, 2010**

(54) **HEALTH RECORD STORAGE DEVICE**

D567,239 S * 4/2008 Perrier et al. D14/356

D576,619 S * 9/2008 Udagawa et al. D14/358

(76) Inventors: **Tuyen T. Tran**, 4390 Clearwater Way #
3102, Lexington, KY (US) 40515; **Thuy**
Lynh N. Tran, 4390 Clearwater Way #
3102, Lexington, KY (US) 40515

(Continued)

(**) Term: **14 Years**

OTHER PUBLICATIONS

(21) Appl. No.: **29/316,828**

frontier-electronics.com, Web Archive [online] Dec. 1, 2005
[retrieved on Dec. 13, 2006]. Retrieved from the Internet <URL:
http://web.archive.org/web/20051201015403/http://www.frontier-
electronics.co.za/images/sdp_adata_flash_drive.jpg>.*

(22) Filed: **Nov. 6, 2009**

(51) **LOC (9) Cl.** **14-02**

(52) **U.S. Cl.** **D14/480.1**

(58) **Field of Classification Search** D14/356,
D14/411, 433, 435.1, 436, 137, 155, 167,
D14/168, 203.1–203.8, 240, 242, 299, 480.1–480.7,
D14/484.1; D3/201, 273; D13/107, 108,
D13/149, 184; 710/300, 301; 439/131, 135–147;
361/679.31, 679.33, 679.4, 752; 711/100,
711/115

Primary Examiner—Cathron C Brooks

Assistant Examiner—Karen E Kearney

(74) *Attorney, Agent, or Firm*—Paul R. Martin

(57) **CLAIM**

The ornamental design for a health record storage device, as
shown and described.

See application file for complete search history.

(56) **References Cited**

DESCRIPTION

U.S. PATENT DOCUMENTS

| | | | | | | |
|-----------|----|---|---------|---------------|-------|-----------|
| D104,711 | S | * | 5/1937 | Weston | | D13/103 |
| D269,088 | S | * | 5/1983 | Genaro et al. | | D14/137 |
| 4,916,441 | A | | 4/1990 | Gombich | | |
| 5,012,229 | A | | 4/1991 | Lennon et al. | | |
| D449,615 | S | * | 10/2001 | Lloyd | | D14/433 |
| D463,426 | S | * | 9/2002 | Cheng | | D14/480.1 |
| 6,522,534 | B1 | * | 2/2003 | Wu | | 361/679.4 |
| D475,359 | S | * | 6/2003 | Hirose | | D14/480.1 |
| D490,068 | S | * | 5/2004 | Chen | | D14/203.3 |
| D492,307 | S | * | 6/2004 | Aqqad et al. | | D14/480.5 |
| 6,804,749 | B2 | * | 10/2004 | Chien et al. | | 711/115 |
| D502,166 | S | * | 2/2005 | Nakamura | | D14/480.5 |
| 6,985,869 | B1 | | 1/2006 | Stoll et al. | | |
| 7,076,435 | B1 | | 7/2006 | McKeag et al. | | |
| D526,331 | S | * | 8/2006 | Lee | | D14/203.7 |
| D532,783 | S | * | 11/2006 | Yu | | D14/480.3 |
| D546,328 | S | * | 7/2007 | Kobayakawa | | D14/480.7 |
| D555,158 | S | * | 11/2007 | Lo et al. | | D14/356 |
| D557,697 | S | * | 12/2007 | Chen et al. | | D14/356 |

FIG. 1 is a perspective view of health record storage device of
this invention.

FIG. 2 is a top plan view of the health record storage device
shown in FIG. 1.

FIG. 3 is a right side elevational view of the health record
storage device shown in FIG. 1.

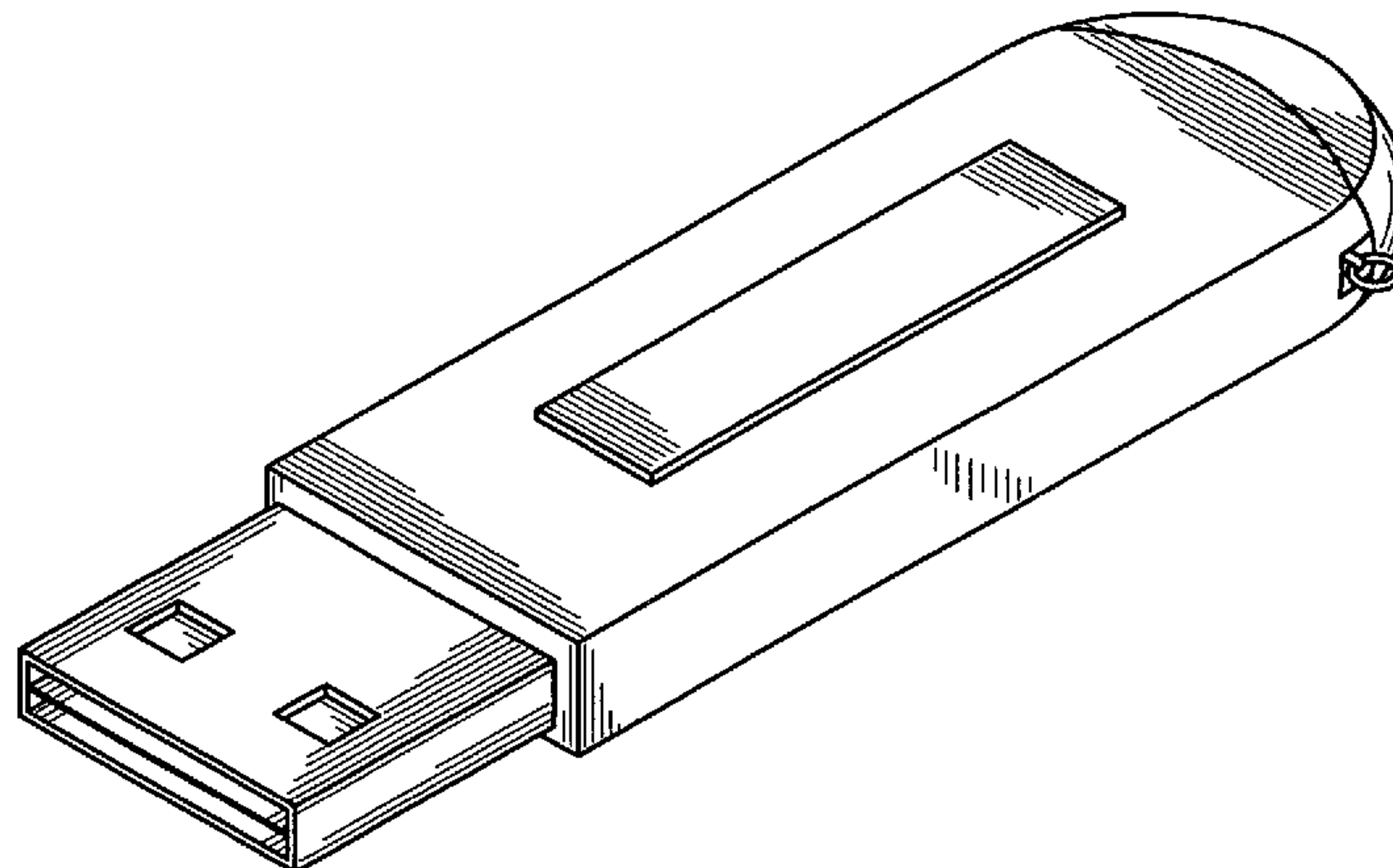
FIG. 4 is a bottom plan view of the health record storage
device shown in FIG. 1.

FIG. 5 is a left side elevational view of the health record
storage device shown in FIG. 1.

FIG. 6 is a front end elevational view of the health record
storage device shown in FIG. 1; and,

FIG. 7 is a rear end elevational view of the health record
storage device shown in FIG. 1.

1 Claim, 3 Drawing Sheets



US D622,276 S

Page 2

U.S. PATENT DOCUMENTS

| | | | | | | | |
|--------------|--------|---------------------|-----------|-------------------|---------|----------------------|-----------|
| D577,019 S * | 9/2008 | Udagawa et al. | D14/358 | D602,941 S * | 10/2009 | Lo | D14/480.7 |
| D577,715 S * | 9/2008 | Lim et al. | D14/240 | D610,156 S * | 2/2010 | Mudrick | D14/480.5 |
| D597,068 S * | 7/2009 | Whang | D14/203.7 | 2007/0101060 A1 * | 5/2007 | Robinson et al. | 711/115 |
| D597,077 S * | 7/2009 | Brandenburg | D14/217 | 2008/0133832 A1 * | 6/2008 | Bhavnani | 711/115 |
| D599,805 S * | 9/2009 | Perrier et al. | D14/480.5 | 2009/0323296 A1 * | 12/2009 | Sanzone | 361/752 |

* cited by examiner

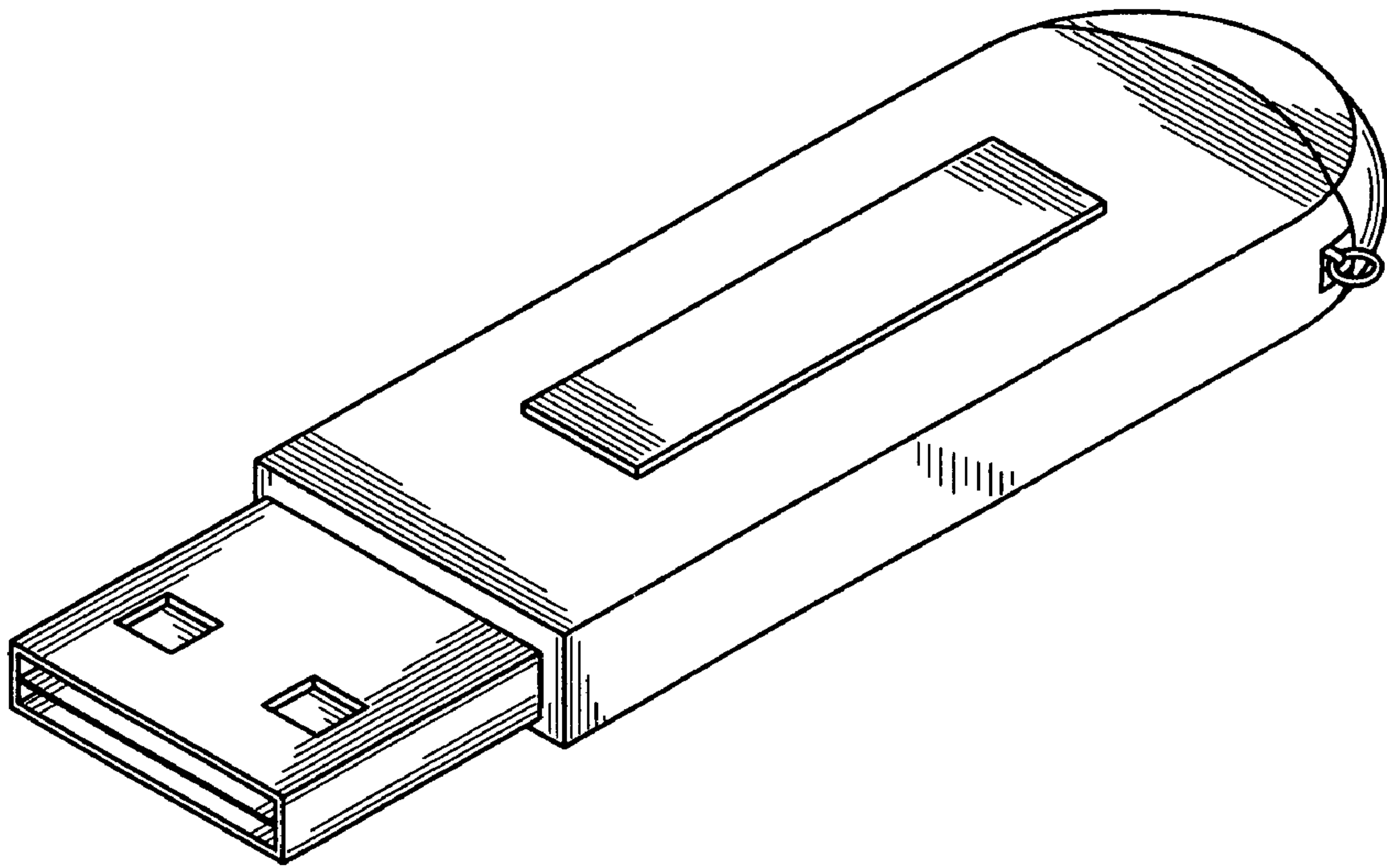


FIG. 1

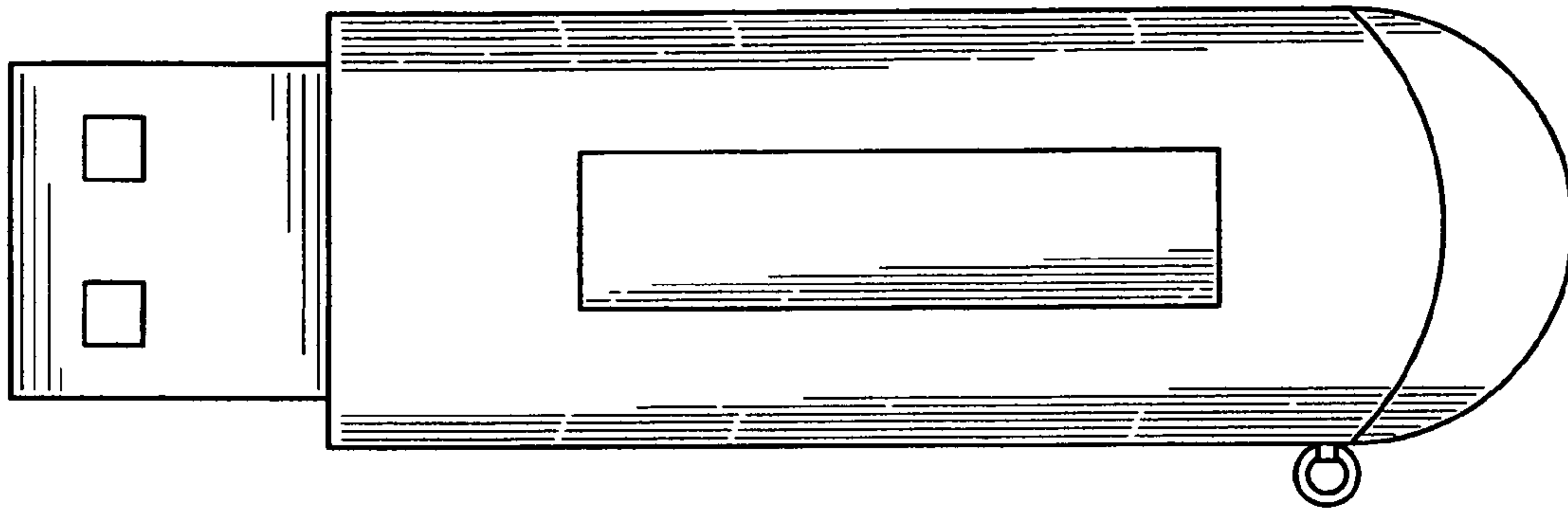


FIG. 2

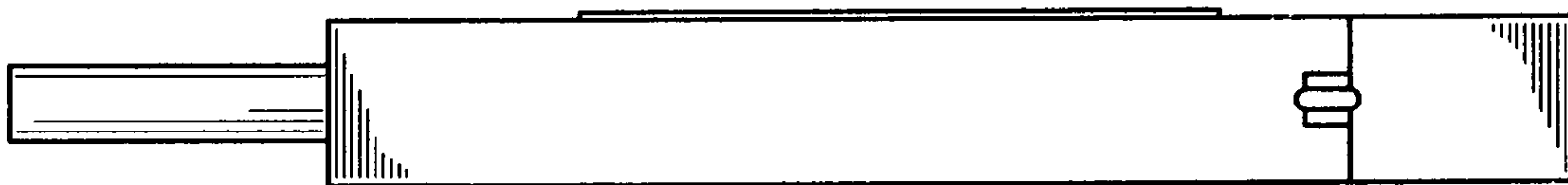


FIG. 3

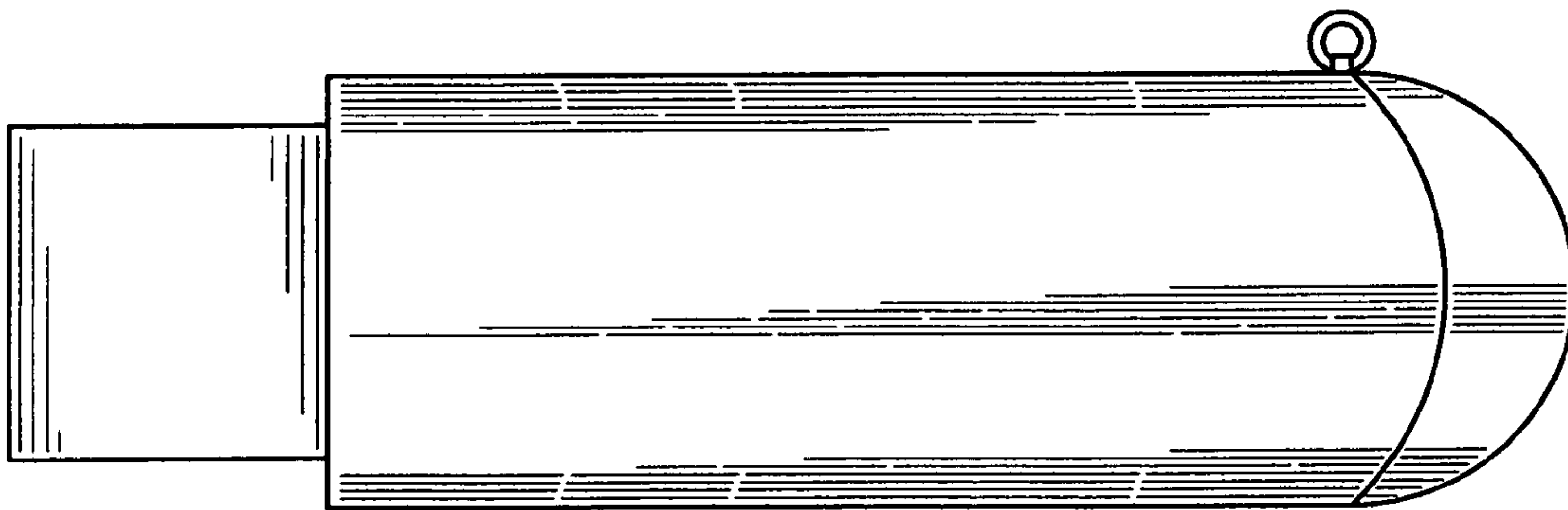


FIG. 4



FIG. 5

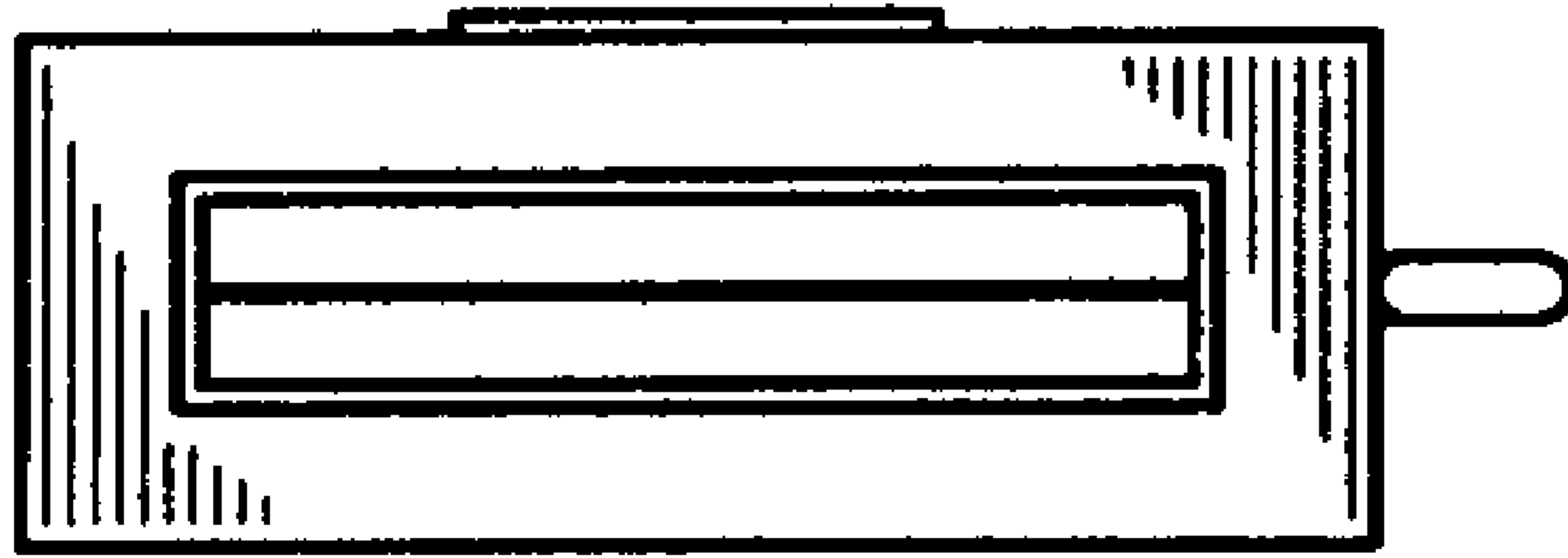


FIG. 6



FIG. 7