



US00D622275S

(12) **United States Design Patent**
Lozano

(10) **Patent No.:** **US D622,275 S**
(45) **Date of Patent:** **** Aug. 24, 2010**

(54) **MOUNTING PANEL FOR AN AUDIO-VIDEO ASSEMBLY**

(76) Inventor: **Anthony Lozano**, 33 S. Third St., Apt. No. 215, San Jose, CA (US) 95113

(**) Term: **14 Years**

(21) Appl. No.: **29/342,550**

(22) Filed: **Aug. 27, 2009**

(51) **LOC (9) Cl.** **08-07**

(52) **U.S. Cl.** **D14/451; D14/239**

(58) **Field of Classification Search** D14/447, D14/451, 452, 432, 439, 448, 457, 203.8, D14/217, 224, 224.1, 238.1, 239, 251, 252, D14/253, 371, 372, 373, 374, 375, 376, 377, D14/378, 379, 381, 382, 434, 126; D6/310, D6/311, 312, 313, 314, 406.3, 406.4, 406.5, D6/406.6, 419, 420; D8/383, 373, 380; D12/415; 379/454, 455; 312/223.3; 248/917, 918, 248/919, 920, 921, 922, 923, 924, 447.2, 248/455, 460, 228.6, 276.1, 281.11; 361/679.02, 361/679.04, 679.06, 679.07, 679.09, 679.21, 361/679.26, 679.27, 679.3, 679.55, 679.56
See application file for complete search history.

(56) **References Cited**

U.S. PATENT DOCUMENTS

6,102,348	A *	8/2000	O'Neill	248/289.11
6,189,849	B1 *	2/2001	Sweere et al.	248/286.1
6,480,243	B2 *	11/2002	Yamamoto	348/836
D513,501	S *	1/2006	Asanuma et al.	D14/129
D517,838	S *	3/2006	Luong	D6/477
D539,232	S	3/2007	Lozano	
D541,764	S	5/2007	Lozano	
D552,051	S	10/2007	Lozano	
D566,444	S *	4/2008	Grey	D6/553
D573,593	S *	7/2008	Sasaki et al.	D14/307

D575,774	S *	8/2008	Harris et al.	D14/239
7,472,971	B2 *	1/2009	Schmieder et al.	312/223.3
D586,792	S	2/2009	Lozano	
D603,412	S *	11/2009	Wills et al.	D14/451
2004/0188573	A1 *	9/2004	Weatherly	248/125.1
2006/0274486	A1 *	12/2006	Kim	361/679
2007/0247795	A1 *	10/2007	Tseng	361/681

* cited by examiner

Primary Examiner—Jennifer Rivard

Assistant Examiner—Angela J Lee

(74) *Attorney, Agent, or Firm*—Jones, Tullar & Cooper, P.C.

(57) **CLAIM**

The ornamental design for a mounting panel for an audio-video assembly, as shown and described.

DESCRIPTION

FIG. 1 is a front perspective view of my new design for a mounting panel for an audio-video assembly.

FIG. 2 is a front perspective view thereof.

FIG. 3 is a rear perspective view thereof.

FIG. 4 is a front elevational view thereof.

FIG. 5 is a left elevational view thereof;

FIG. 6 is a right elevational view thereof;

FIG. 7 is a top plan view thereof.

FIG. 8 is a bottom plan view thereof.

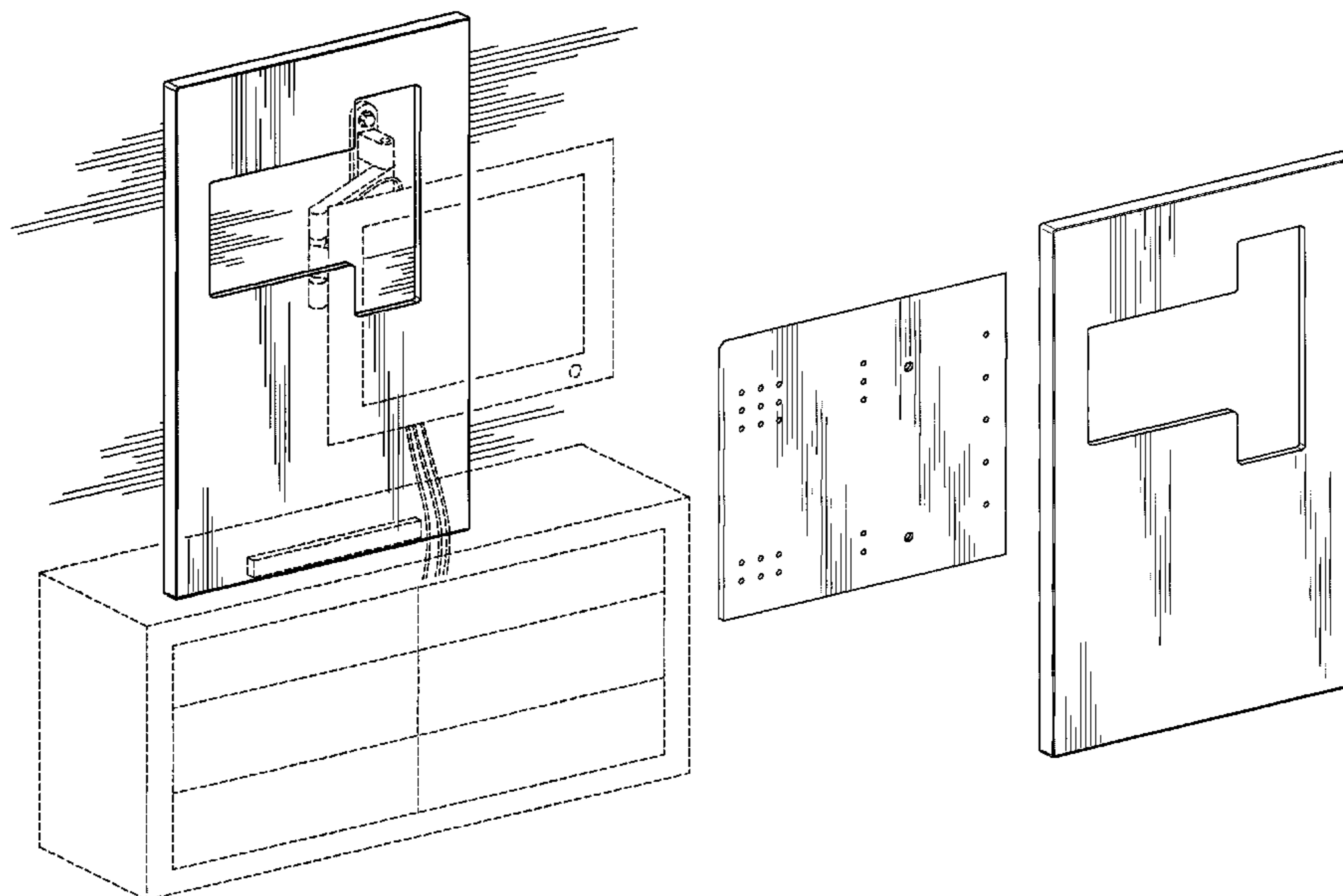
FIG. 9 is a rear elevational view thereof.

FIG. 10 is a front exploded perspective view thereof; and,

FIG. 11 is a rear exploded perspective view thereof.

The broken lines showing of a cabinet, a pivotable support arm, an audio-video assembly and associated cables is included for the purpose of illustrating environment and forms no part of the claimed design.

1 Claim, 8 Drawing Sheets



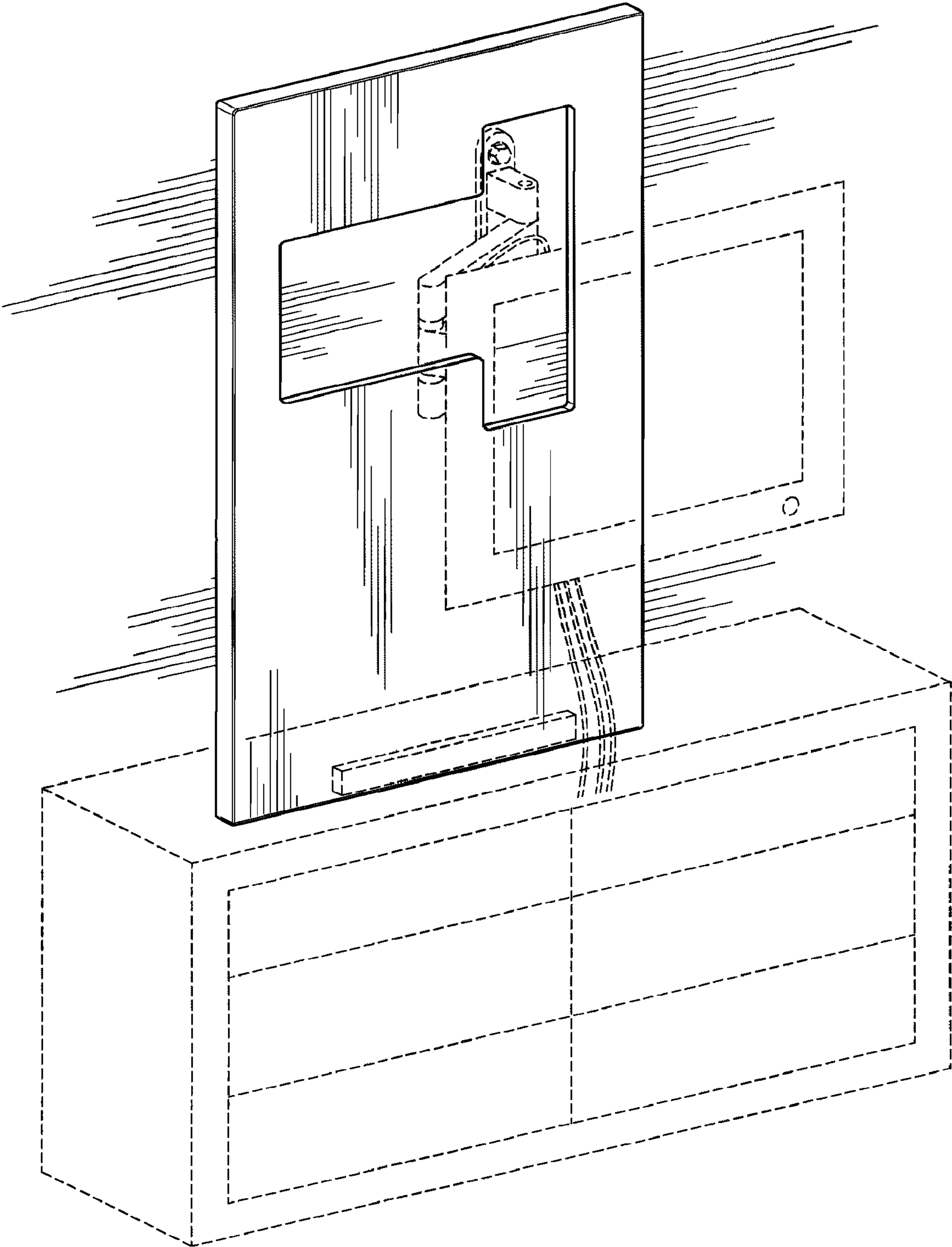


FIG. 1

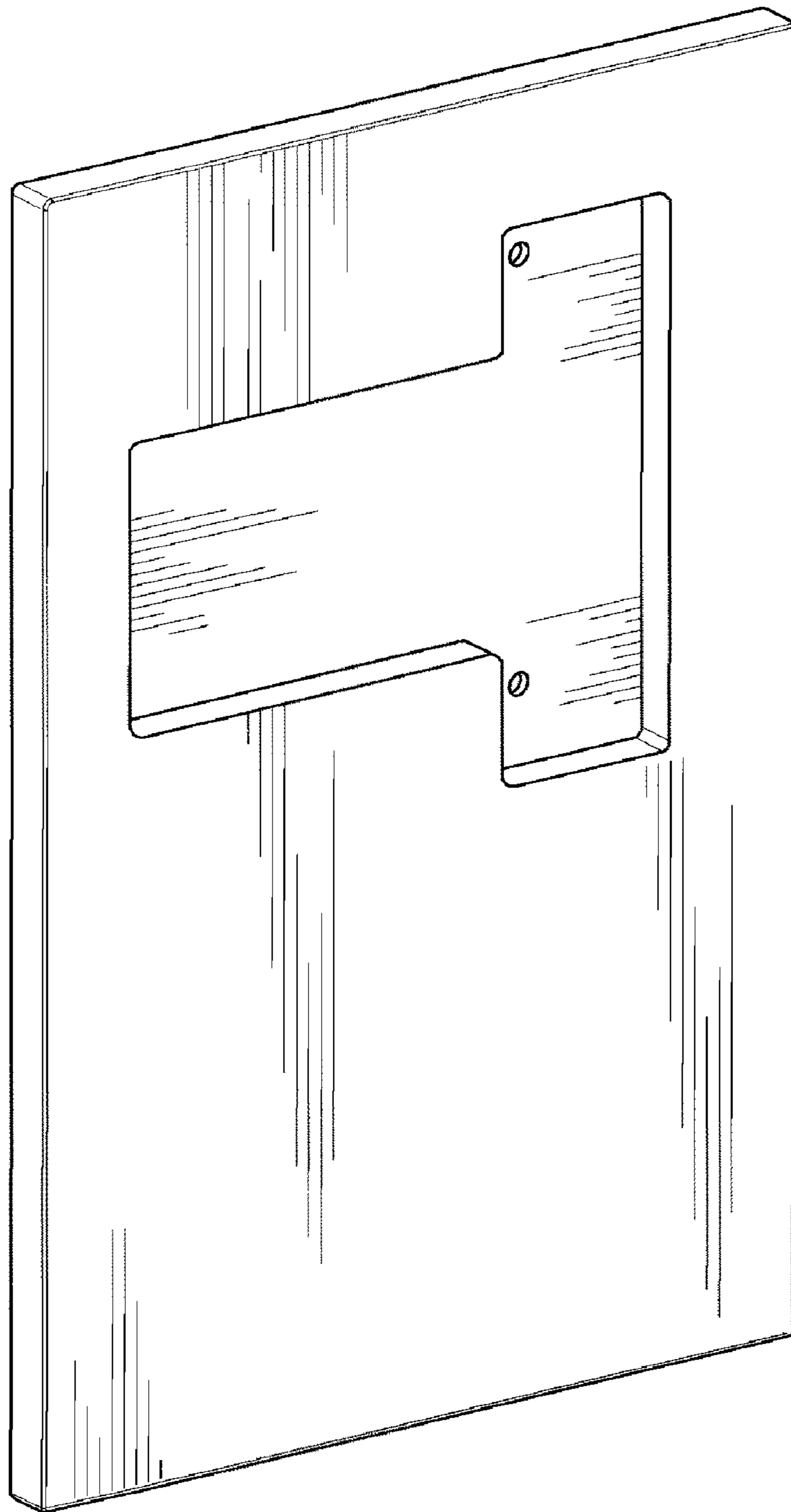


FIG. 2

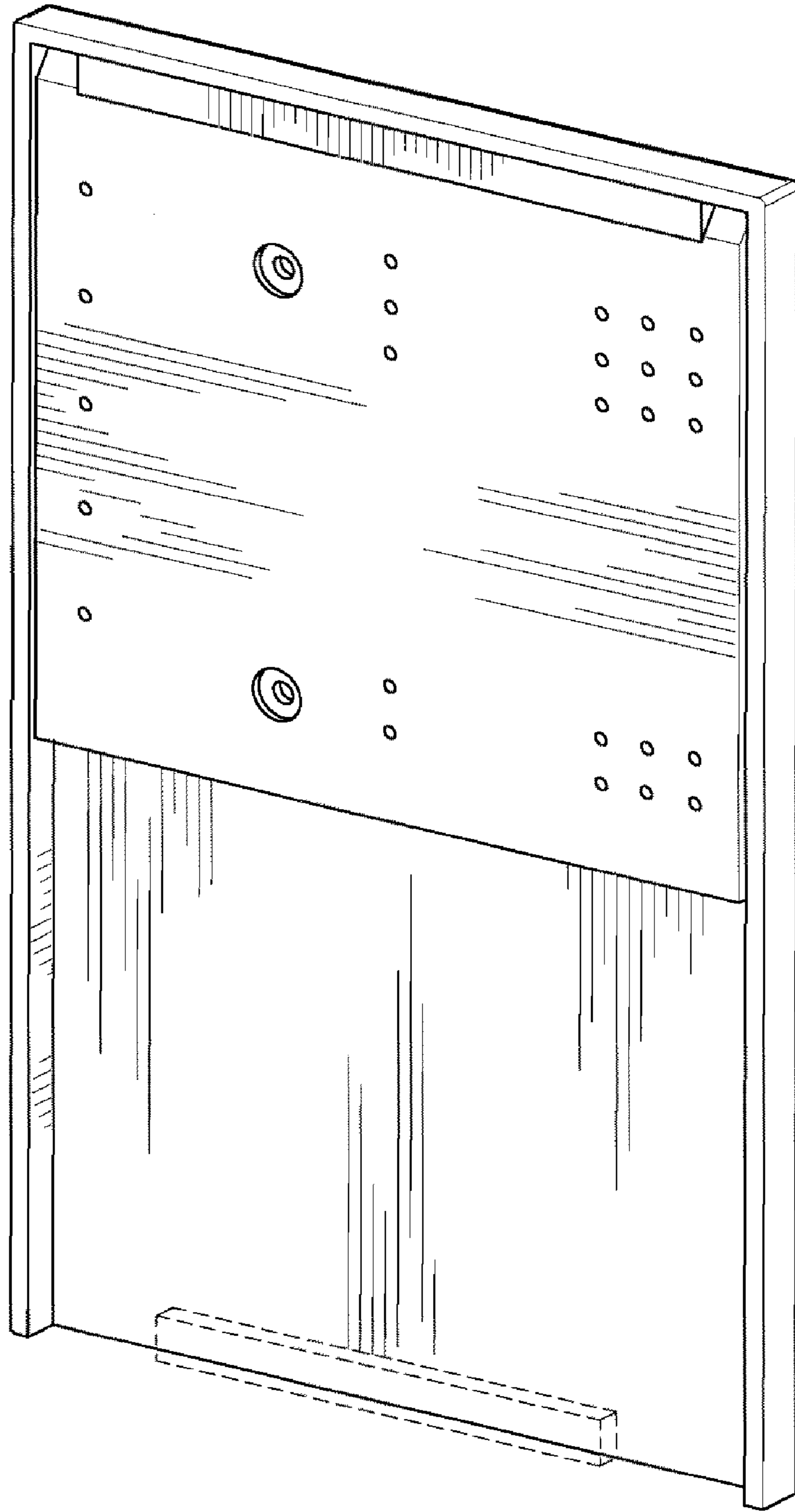


FIG. 3

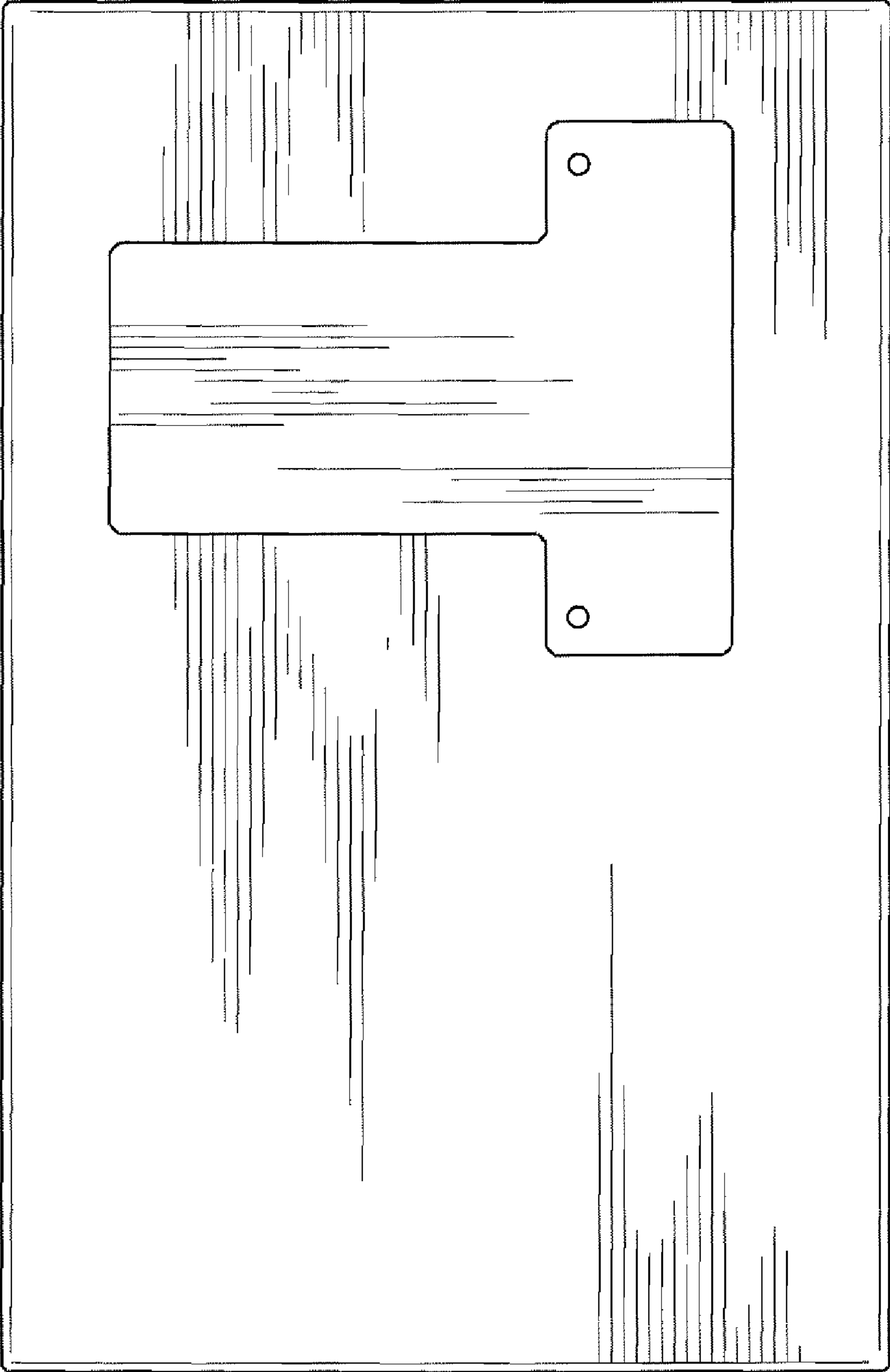


FIG. 4



FIG. 7

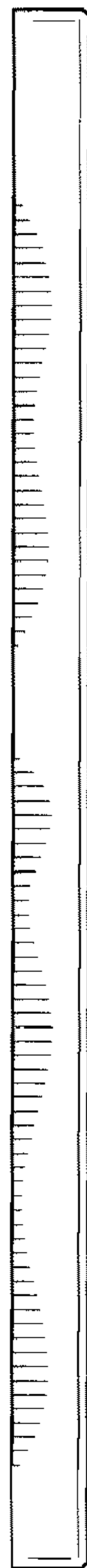


FIG. 5

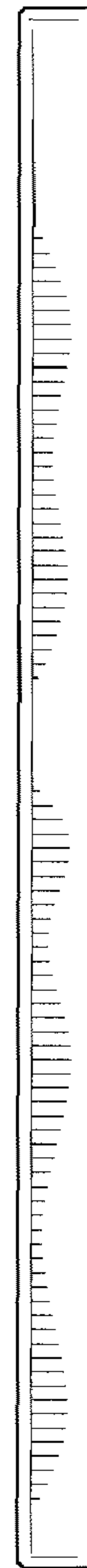


FIG. 6



FIG. 8

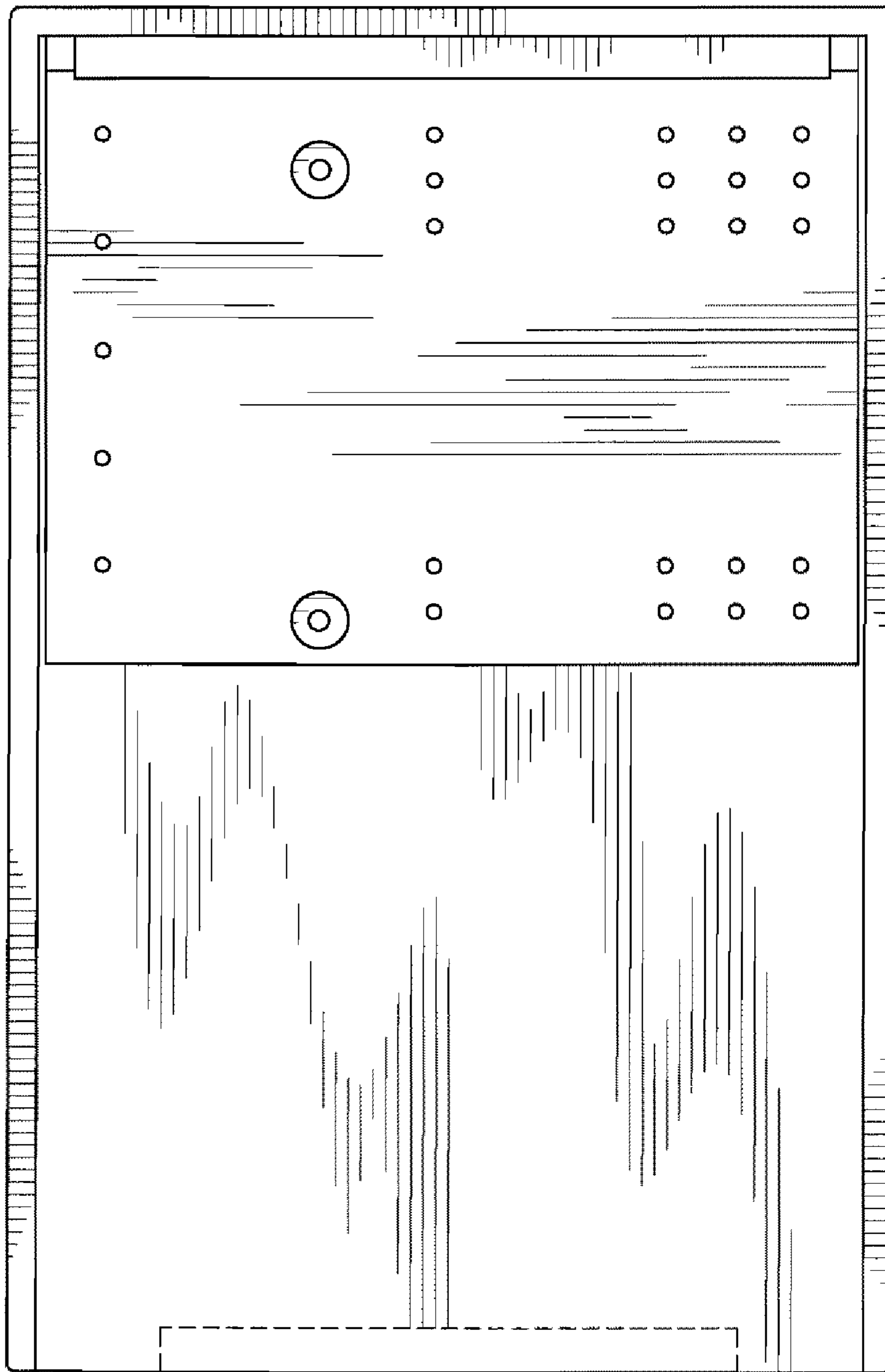


FIG. 9

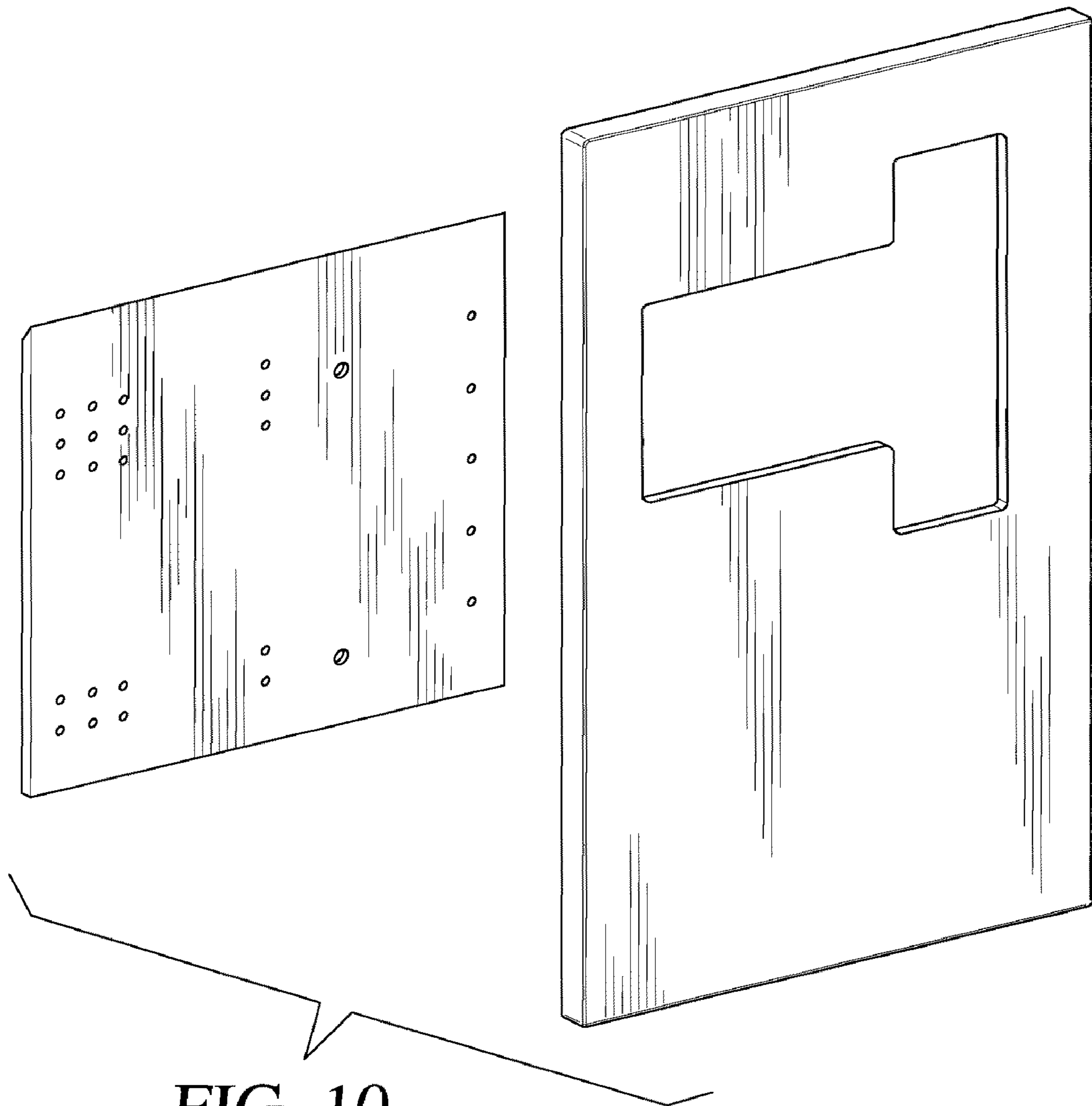


FIG. 10

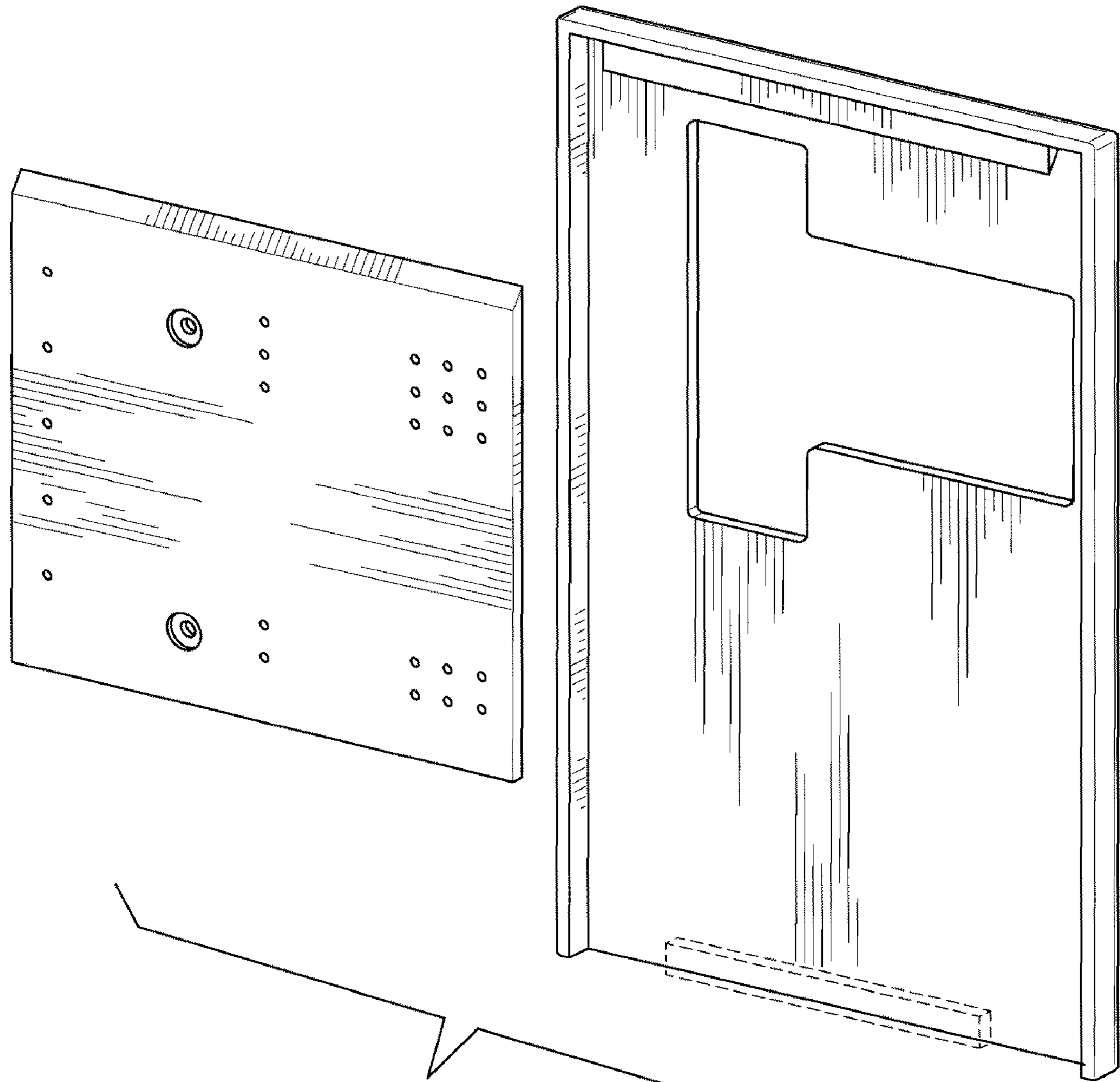


FIG. 11