



US00D622274S

(12) **United States Design Patent**
Green

(10) **Patent No.:** **US D622,274 S**

(45) **Date of Patent:** **** Aug. 24, 2010**

(54) **STAND FOR A COMPUTER**

(76) **Inventor:** **Andrew Green**, P.O. Box 21,827,
Charleston, SC (US) 29413

(**) **Term:** **14 Years**

(21) **Appl. No.:** **29/339,510**

(22) **Filed:** **Jul. 1, 2009**

(51) **LOC (9) Cl.** **08-07**

(52) **U.S. Cl.** **D14/447**

(58) **Field of Classification Search** D14/447,
D14/451, 452, 432, 439, 448, 457, 203.8,
D14/217, 224, 224.1, 238.1, 239, 251, 252,
D14/253, 371, 372, 373, 374, 375, 376, 377,
D14/378, 379, 381, 382, 434; D6/310, 311,
D6/312, 313, 314, 406.3, 406.4, 406.5, 406.6,
D6/419, 420; D8/383, 373, 380; D12/415;
379/454, 455; 312/223.3; 248/917, 918,
248/919, 920, 921, 922, 923, 924, 447.2,
248/455, 460, 228.6, 276.1, 281.11; 361/679.02,
361/679.04, 679.06, 679.07, 679.09, 679.21,
361/679.26, 679.27, 679.3, 679.55, 679.56
See application file for complete search history.

(56) **References Cited**

U.S. PATENT DOCUMENTS

D361,561 S * 8/1995 Baudot D14/447
D416,878 S * 11/1999 Yeh et al. D14/447
D486,832 S * 2/2004 Masuda et al. D14/451
D527,370 S * 8/2006 Wong D14/147
D530,273 S * 10/2006 Solland D13/108
D534,489 S * 1/2007 Klein et al. D13/108

D539,291 S * 3/2007 Li et al. D14/447
D558,192 S * 12/2007 Daly et al. D14/251
D571,788 S * 6/2008 King et al. D14/217
7,413,159 B2 * 8/2008 Liang et al. 248/676
D581,378 S * 11/2008 Chiu D14/126
D589,958 S * 4/2009 Han D14/373
D604,734 S * 11/2009 Leonard et al. D14/374

OTHER PUBLICATIONS

BookArc, viewed on Mar. 22, 2010, <http://www.twelvesouth.com/products/bookarc/gallery/>.*

* cited by examiner

Primary Examiner—Jennifer Rivard

Assistant Examiner—Angela J Lee

(74) *Attorney, Agent, or Firm*—Mark Swanson; Bradley Arant Boult Cummings, LLP

(57) **CLAIM**

I claim the ornamental design for a stand for a computer, as shown and described.

DESCRIPTION

FIG. 1 is a left front perspective view of a stand for a computer.

FIG. 2 is a top plan view thereof.

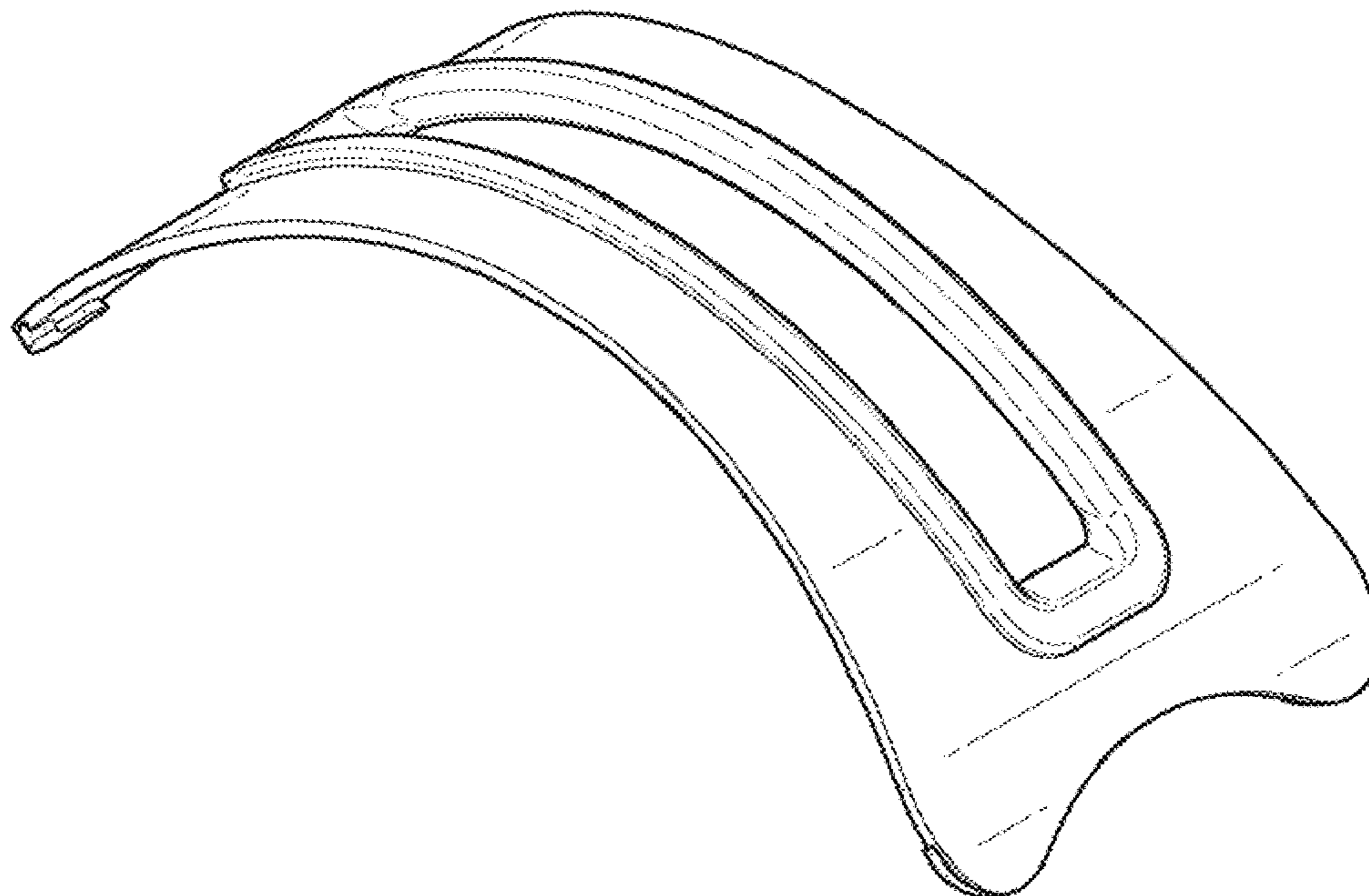
FIG. 3 is a left side elevation view thereof, where the right side elevation view is identical to the left side elevation view.

FIG. 4 is a bottom plan view thereof.

FIG. 5 is a front elevation view thereof; and,

FIG. 6 is a back elevation view thereof.

1 Claim, 2 Drawing Sheets



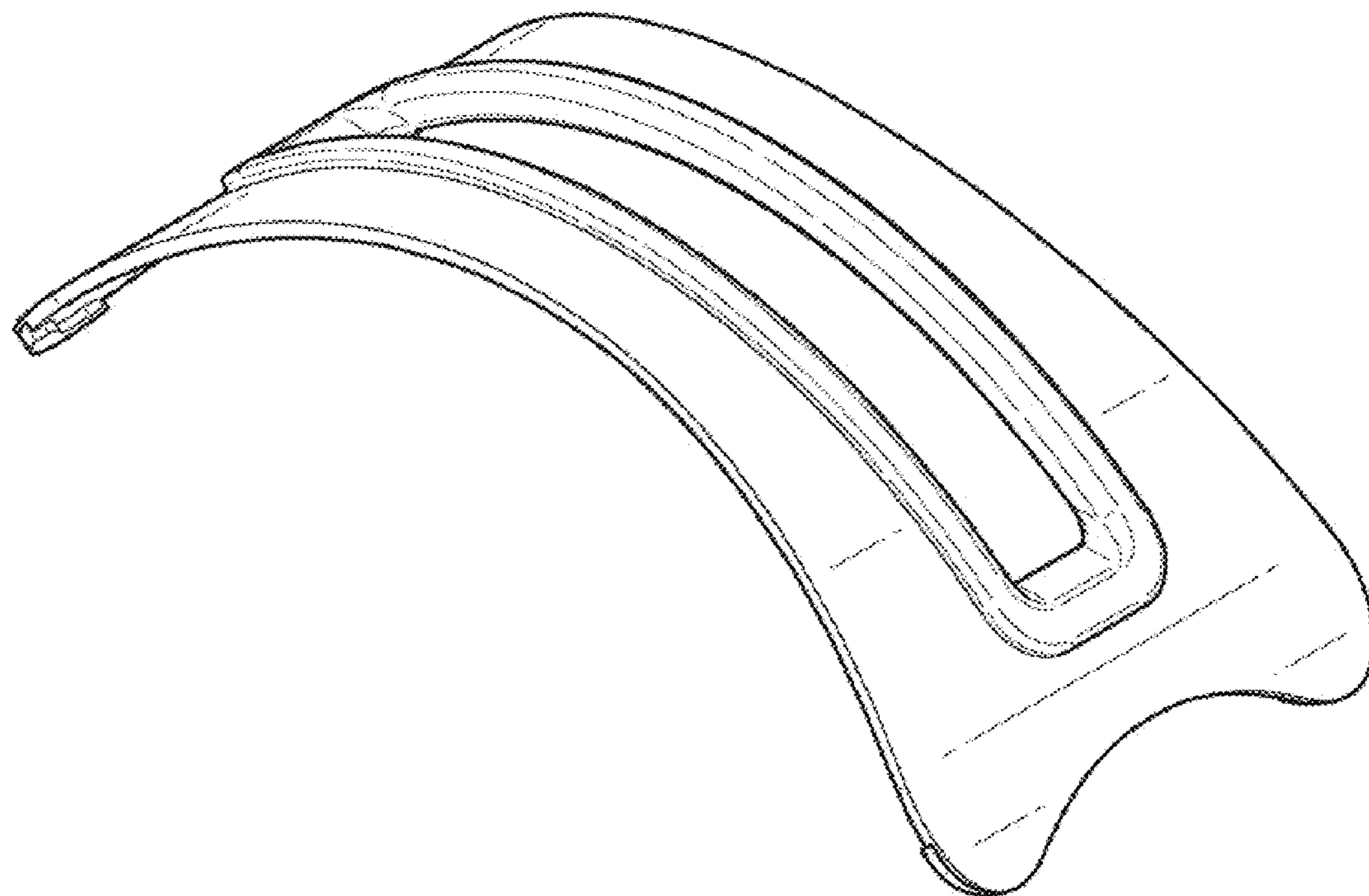


FIG. 1

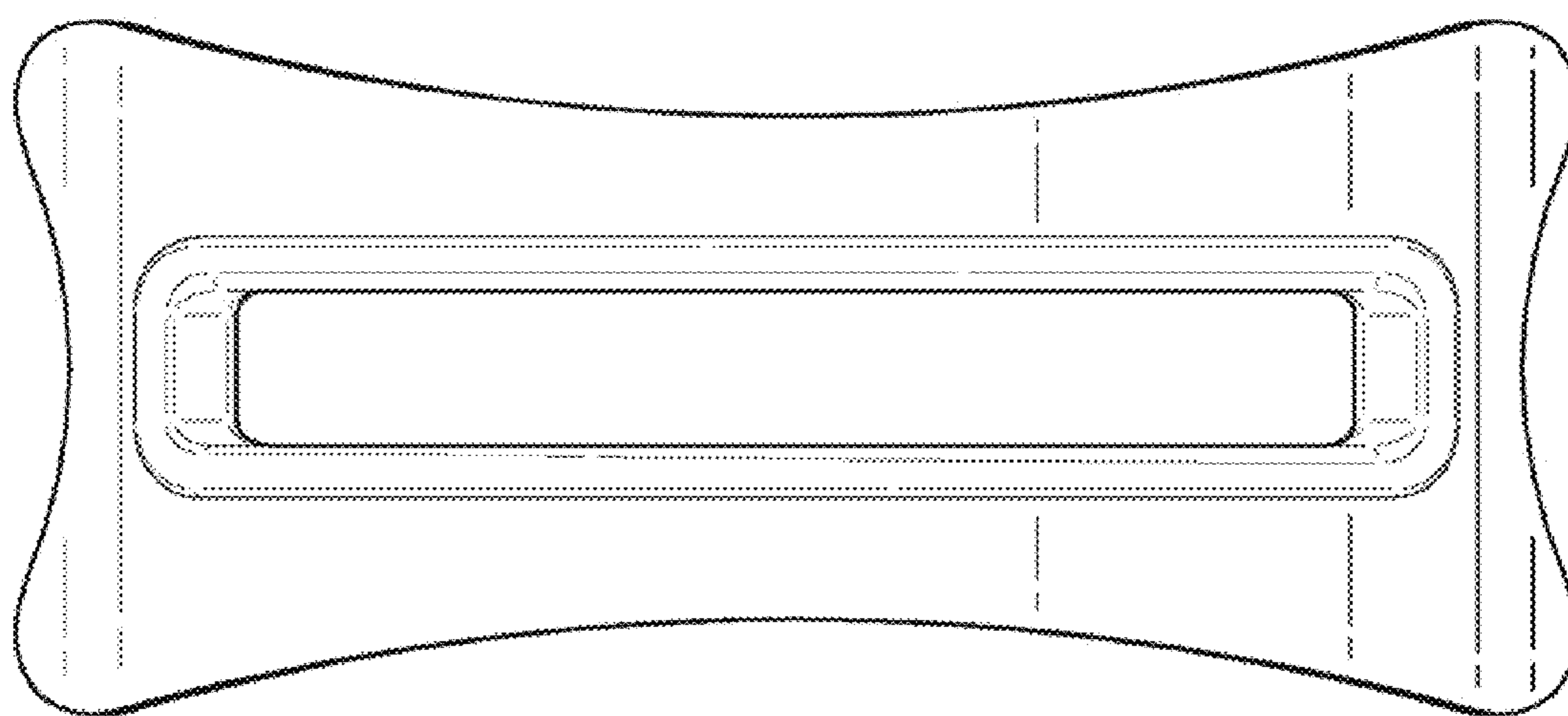


FIG. 2

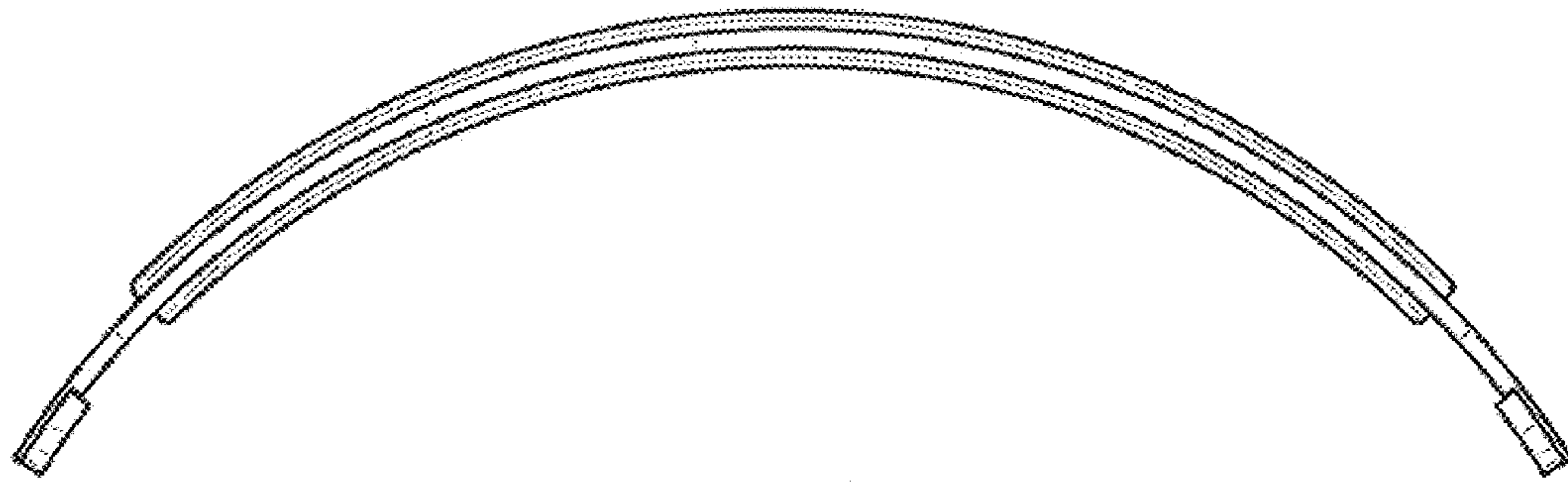


FIG. 3

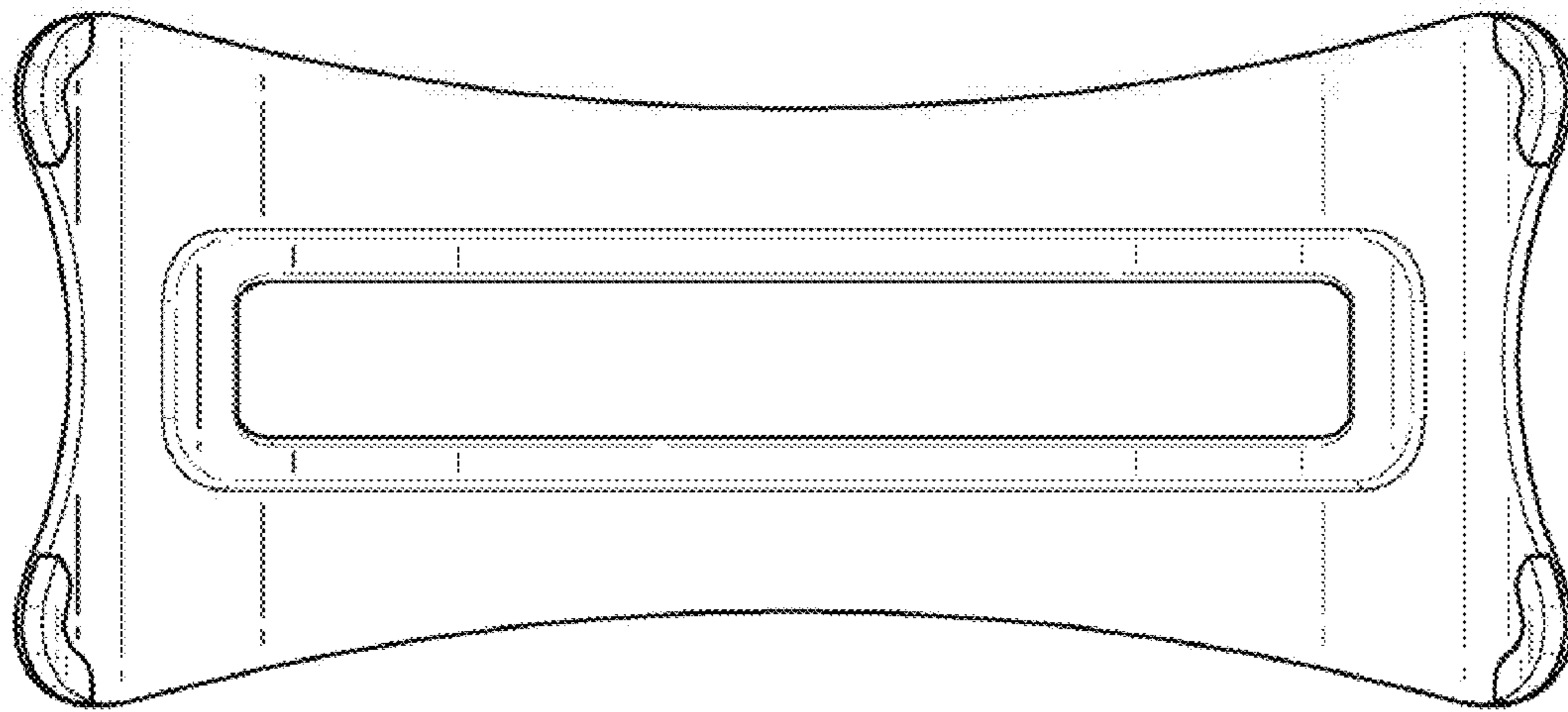


FIG. 4

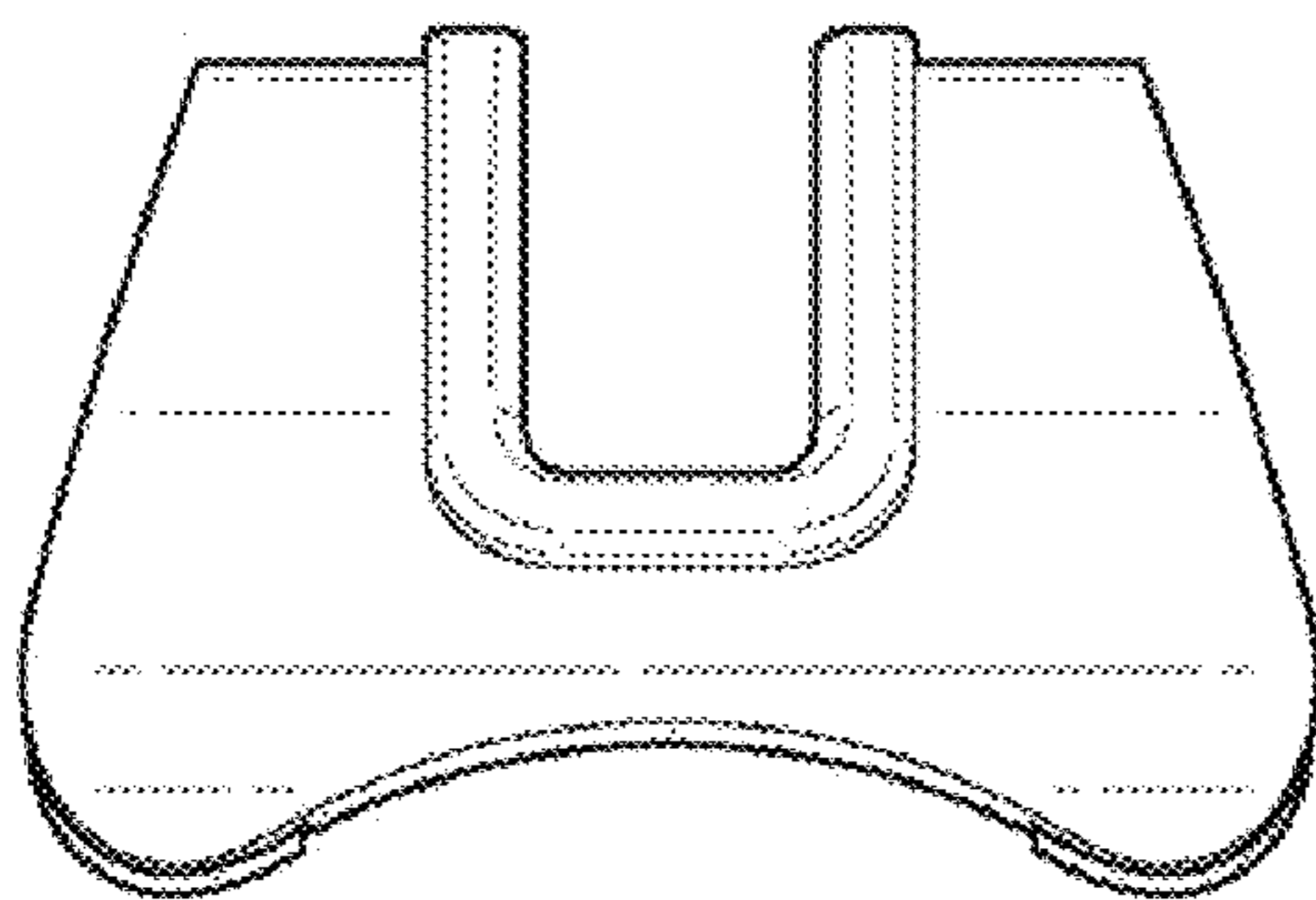


FIG. 5

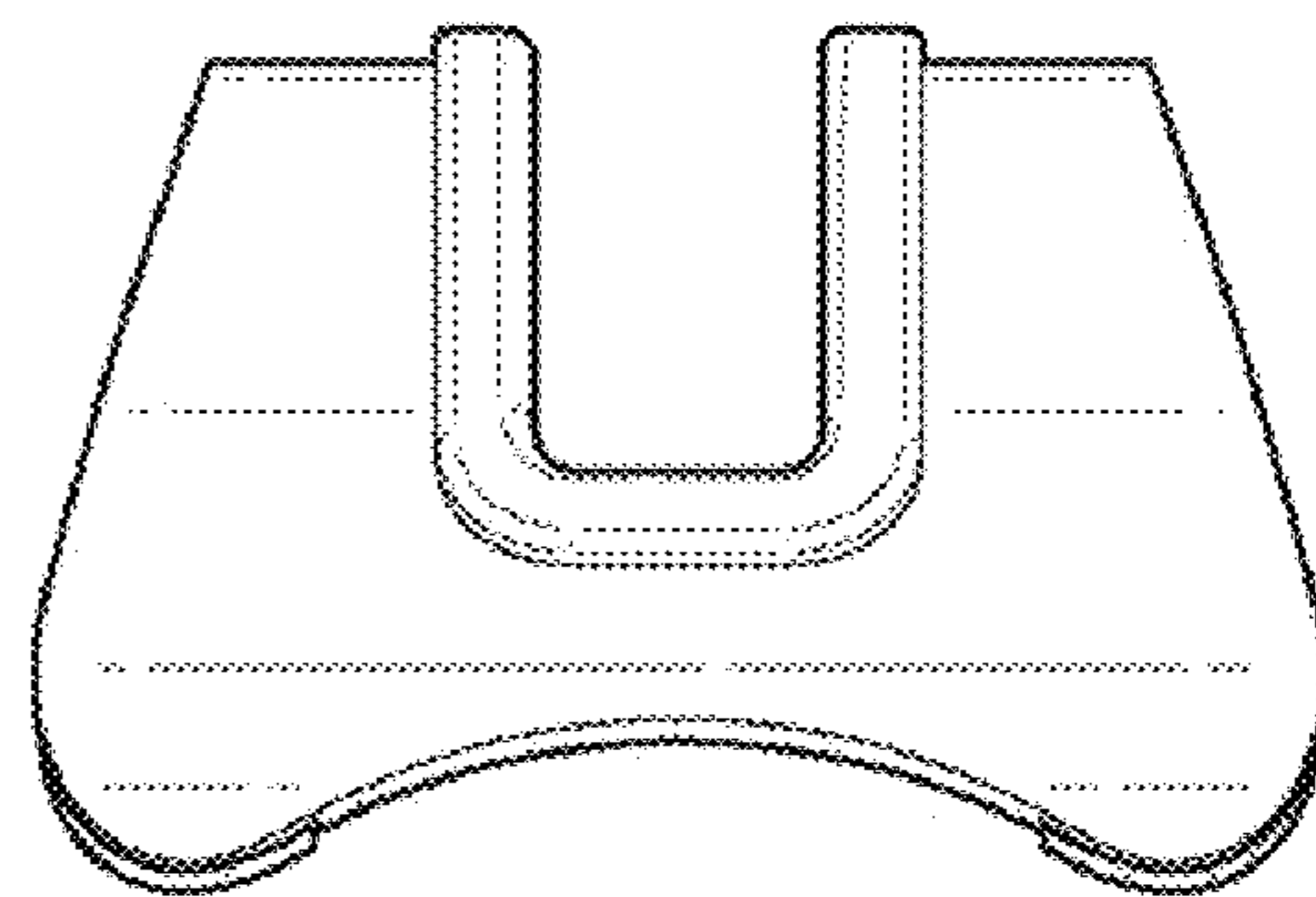


FIG. 6