



US00D622272S

(12) **United States Design Patent**
Machida et al.

(10) **Patent No.:** **US D622,272 S**

(45) **Date of Patent:** **** Aug. 24, 2010**

(54) **SCANNER**

(75) Inventors: **Takashi Machida**, Niza (JP); **Minoru Nishizawa**, Nishitokyo (JP); **Kanehiro Yoshida**, Kodaira (JP)

(73) Assignee: **Canon Denshi Kabushiki Kaisha**, Chichibu-shi, Saitama (JP)

(**) Term: **14 Years**

(21) Appl. No.: **29/346,171**

(22) Filed: **Oct. 28, 2009**

(30) **Foreign Application Priority Data**

Apr. 28, 2009 (JP) 2009-009812

(51) **LOC (9) Cl.** **14-02**

(52) **U.S. Cl.** **D14/421**

(58) **Field of Classification Search** D14/421-425;
D18/55, 49, 46, 40, 36-39, 41, 44, 45, 47,
D18/48, 50-54, 56; 235/462, 455, 470, 462.43,
235/482, 483; 358/474, 486, 488, 496, 497,
358/498, 452, 449, 451, 453, 1.13; 318/685,
318/696; 355/81, 75; 399/405, 367, 379,
399/380; 382/217; 715/209, 222, 226, 274;
400/613, 613.1-613.4, 690.1-690.4, 691-694
See application file for complete search history.

(56) **References Cited**

U.S. PATENT DOCUMENTS

D315,726 S * 3/1991 Inukai D14/464
D331,401 S * 12/1992 Takeuchi D14/462
D350,765 S * 9/1994 Hiroki et al. D18/36
D350,769 S * 9/1994 Hattori et al. D18/49
D374,457 S * 10/1996 Naruki D18/49
5,564,686 A * 10/1996 Horng 271/4.01
D380,204 S * 6/1997 Kogoh et al. D14/425
D403,697 S * 1/1999 Baba et al. D18/49
D403,698 S * 1/1999 Kobayashi et al. D18/49
D404,421 S * 1/1999 Takeuchi D18/49
D415,787 S * 10/1999 Clark et al. D18/36
D422,630 S * 4/2000 Isomoto D18/49

D428,049 S * 7/2000 Imai D18/36
D436,122 S * 1/2001 Isomoto D18/49
D440,975 S * 4/2001 Lin et al. D14/425
D441,756 S * 5/2001 Sekine D14/425
D451,123 S * 11/2001 Isogai et al. D18/36
D458,262 S * 6/2002 Huang et al. D14/424
D472,266 S * 3/2003 Khovaylo et al. D18/49
D478,082 S * 8/2003 Khovaylo et al. D14/425
D479,556 S * 9/2003 Hattori et al. D14/464
D483,402 S * 12/2003 LaBarbera et al. D18/53
D487,089 S * 2/2004 Inukai et al. D14/425
D493,817 S * 8/2004 Yoshida et al. D18/39

(Continued)

Primary Examiner—Susan Moon Lee

(74) *Attorney, Agent, or Firm*—Fitzpatrick, Cella, Harper & Scinto

(57) **CLAIM**

The ornamental design for a scanner, as shown and described.

DESCRIPTION

FIG. 1 is a front elevation view of a scanner showing our new design;

FIG. 2 is a rear elevation view thereof;

FIG. 3 is a top plan view thereof;

FIG. 4 is a bottom view thereof;

FIG. 5 is a right side elevation view thereof;

FIG. 6 is a left side elevation view thereof;

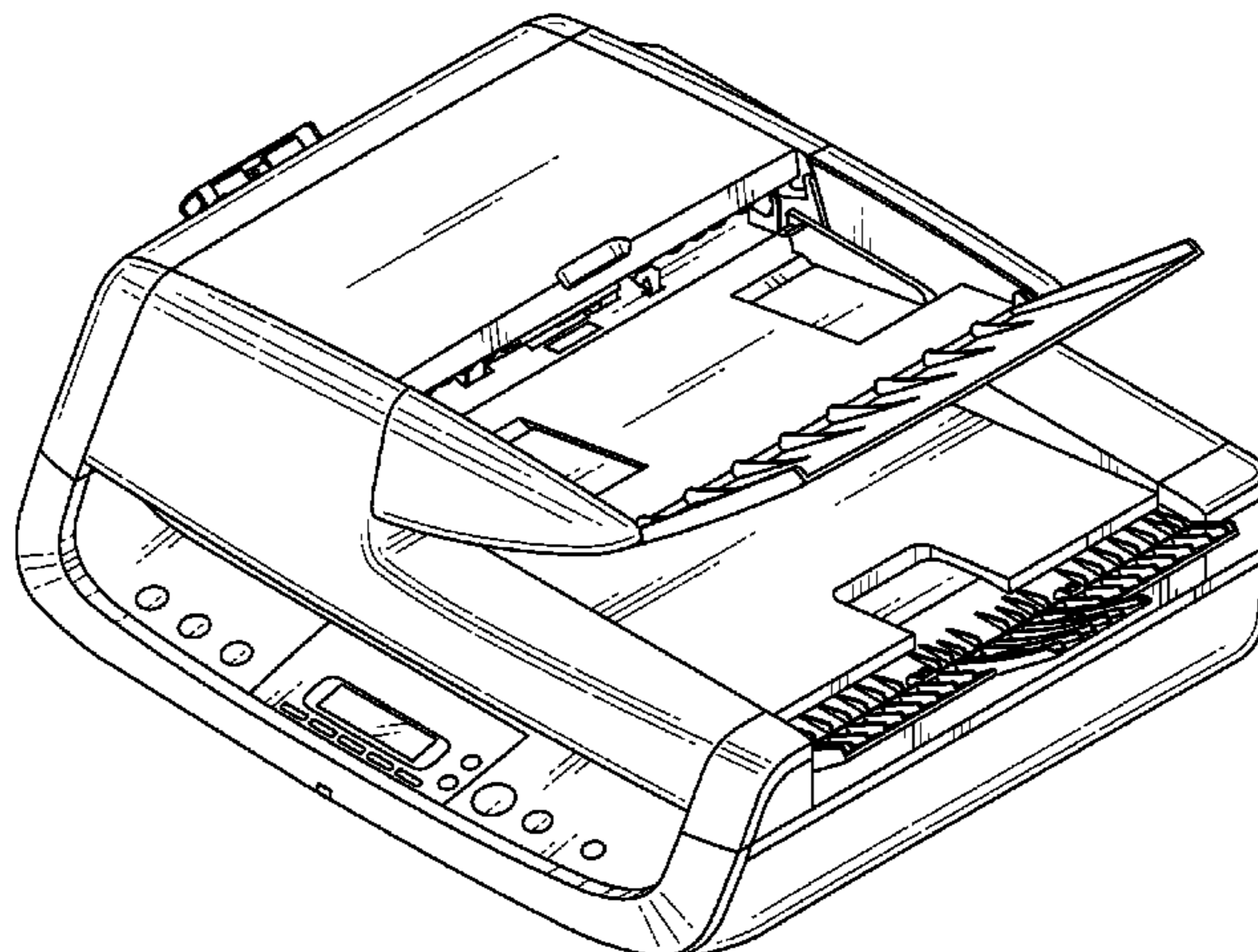
FIG. 7 is a perspective view from the right side thereof;

FIG. 8 is a perspective view from the left side thereof;

FIG. 9 is perspective view from the right side thereof, with the placing tray lid and left side door extended; and,

FIG. 10 is perspective view from the left side thereof, with the placing tray lid and left side door extended.

1 Claim, 10 Drawing Sheets



US D622,272 S

Page 2

U.S. PATENT DOCUMENTS

D494,211 S *	8/2004	Yoshida et al.	D18/39	D550,768 S *	9/2007	Hoshiya et al.	D18/55
D497,943 S *	11/2004	LaBarbera	D18/53	D551,231 S *	9/2007	Sekine et al.	D14/424
D502,500 S *	3/2005	Hoshiya et al.	D18/50	D556,257 S *	11/2007	Yamaguchi	D18/55
D516,081 S *	2/2006	Takimoto	D14/463	7,298,979 B2 *	11/2007	Kitozaki	399/7
D528,154 S *	9/2006	Hattori	D18/54	D573,145 S *	7/2008	Laidlaw et al.	D14/421
D530,737 S *	10/2006	Lim et al.	D18/50	7,464,876 B2 *	12/2008	Suzuki et al.	235/455
7,123,390 B2 *	10/2006	Sato	358/505	D591,302 S *	4/2009	Yagi et al.	D14/421
D532,043 S *	11/2006	Park et al.	D18/50	2002/0113979 A1 *	8/2002	Rahgozar et al.	358/1.6
D533,218 S *	12/2006	Gant et al.	D18/55	2003/0164957 A1 *	9/2003	Komaki	358/1.6
D534,175 S *	12/2006	Orihashi et al.	D14/463	2003/0179390 A1 *	9/2003	Kitozaki	358/1.6
D545,357 S *	6/2007	Hattori et al.	D18/55	2005/0078340 A1 *	4/2005	Kato	358/474
D549,230 S *	8/2007	Luo et al.	D14/421	2007/0001015 A1 *	1/2007	Suzuki et al.	235/472.02

* cited by examiner

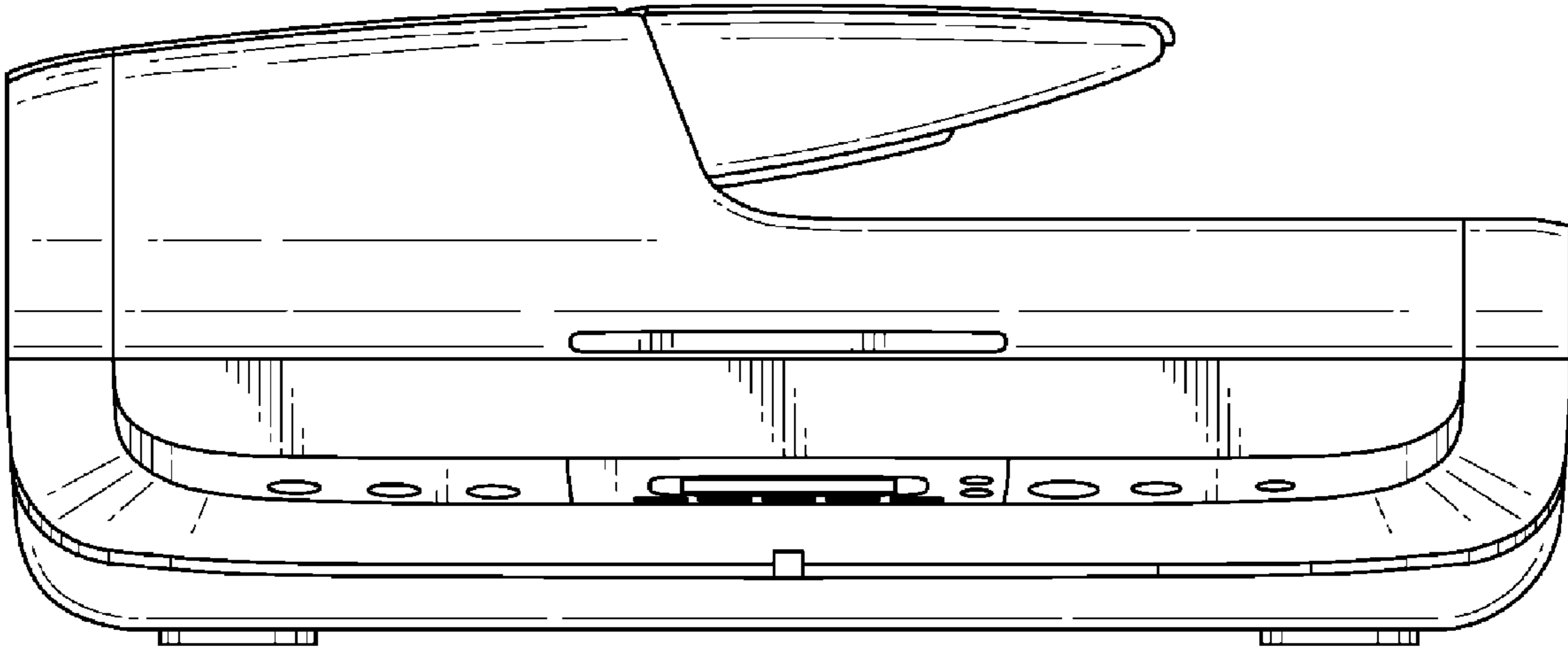


FIG. 1

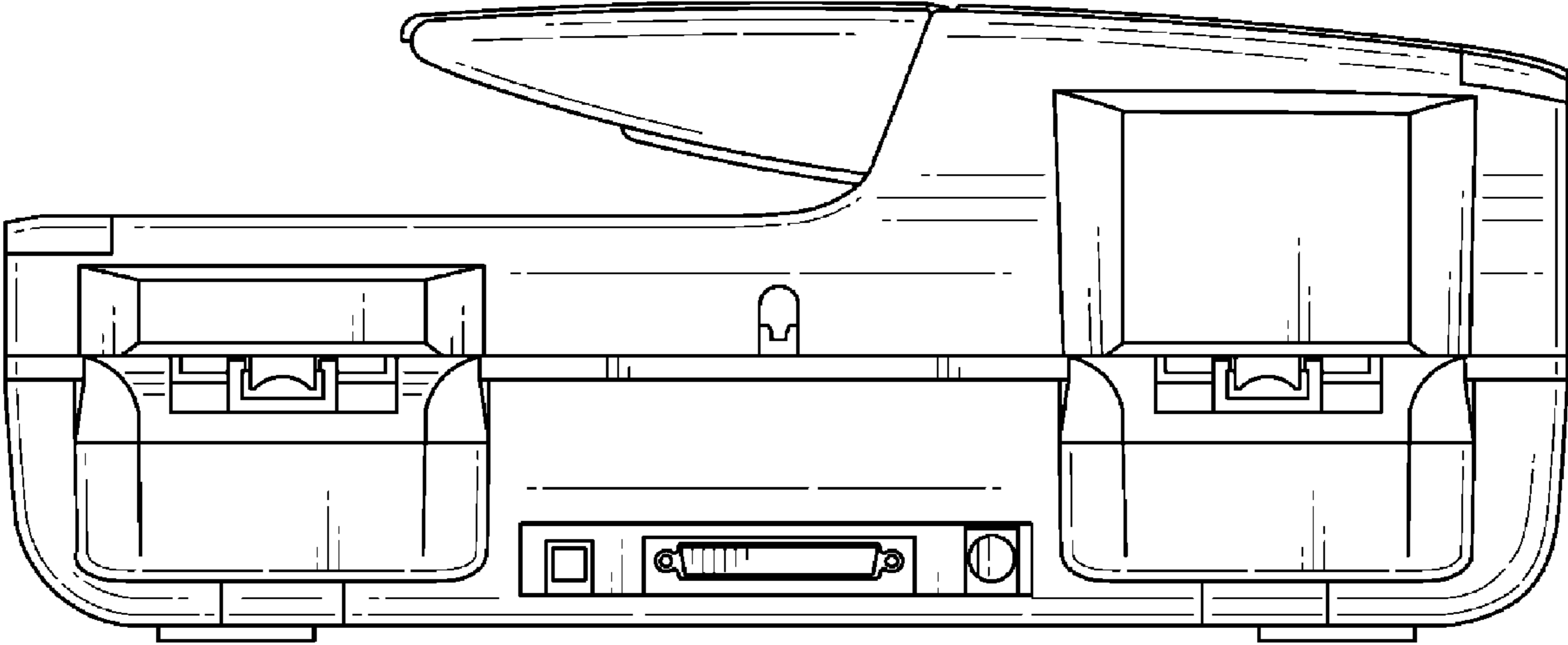
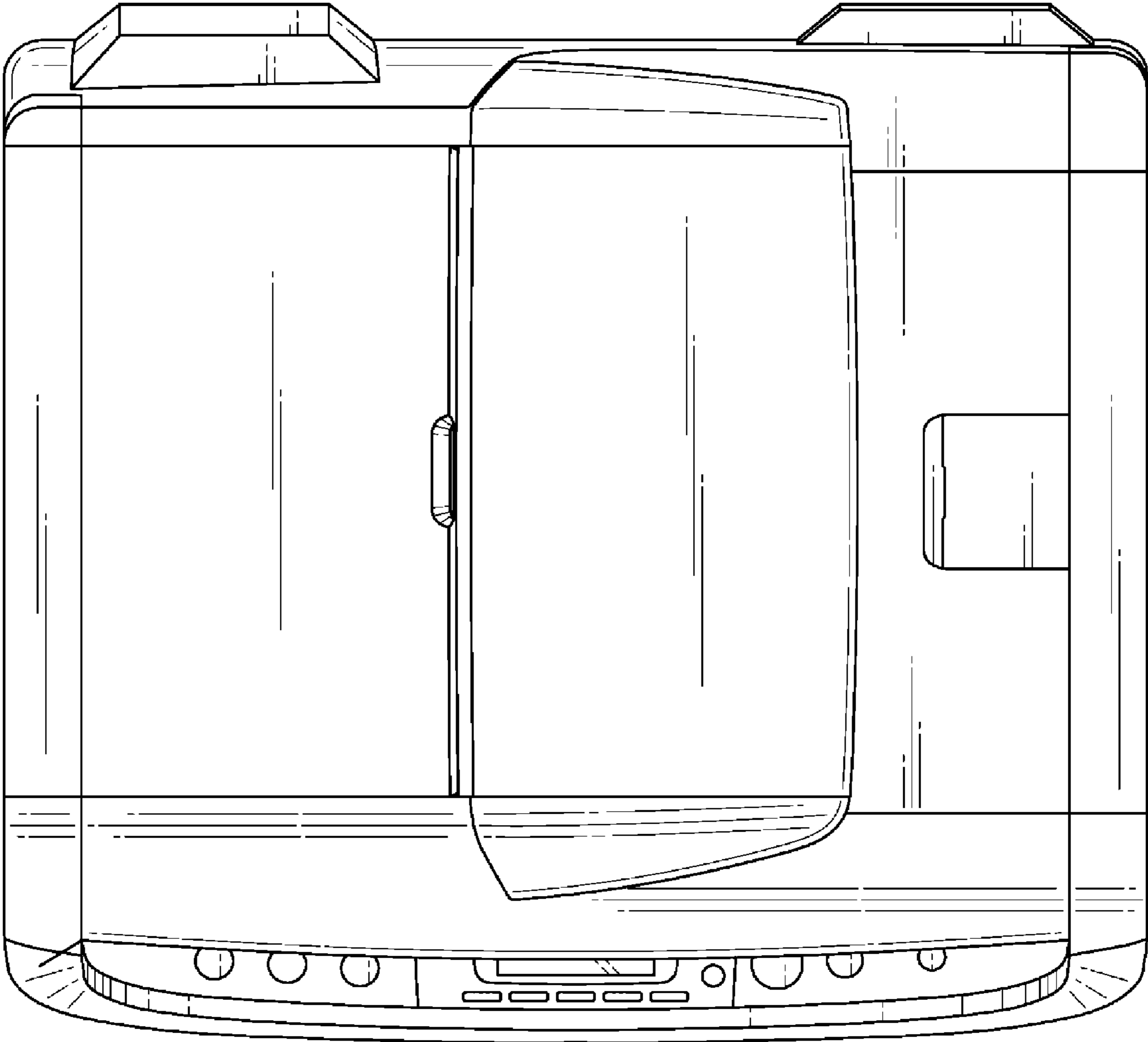


FIG. 2

FIG. 3



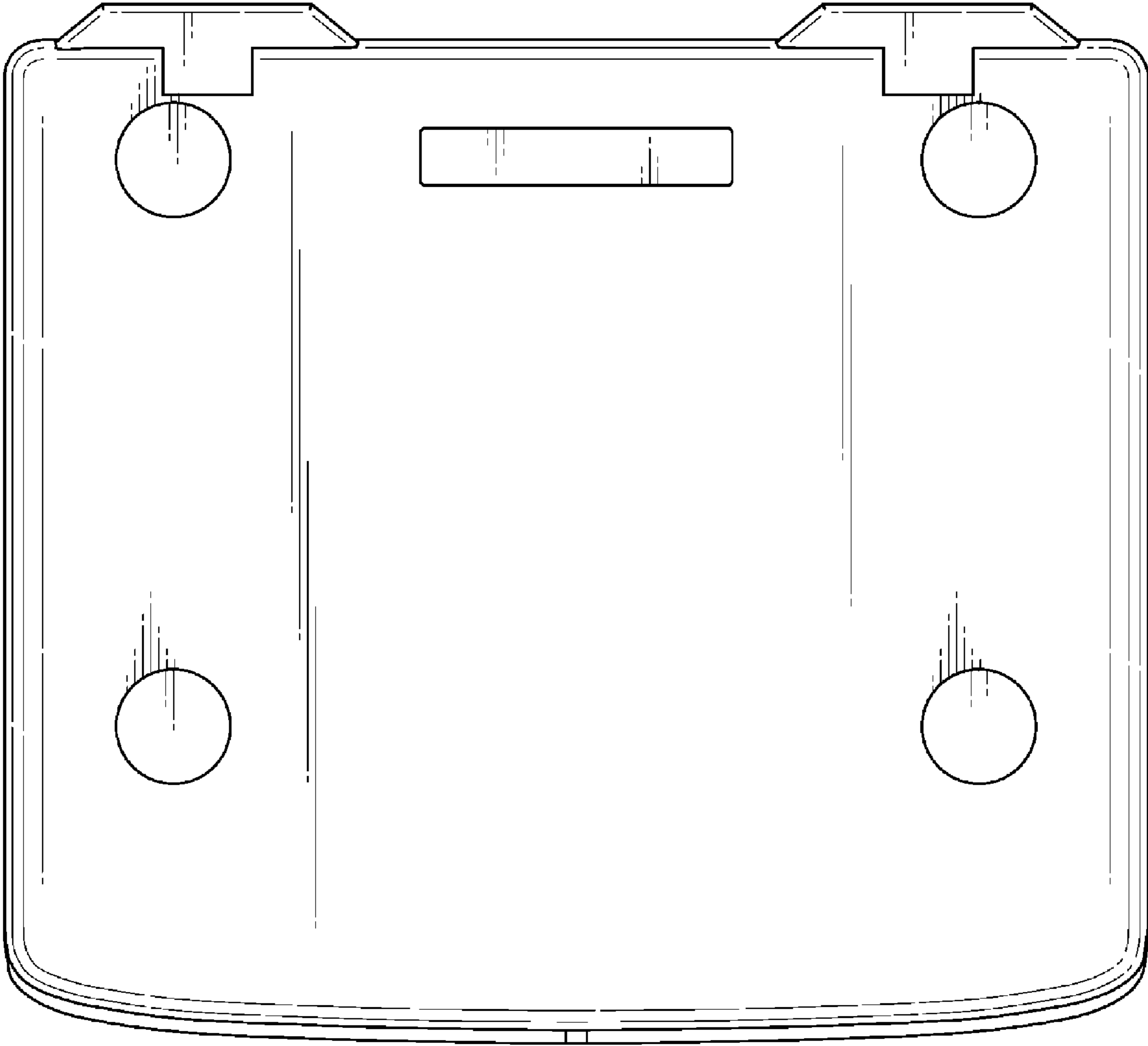


FIG. 4

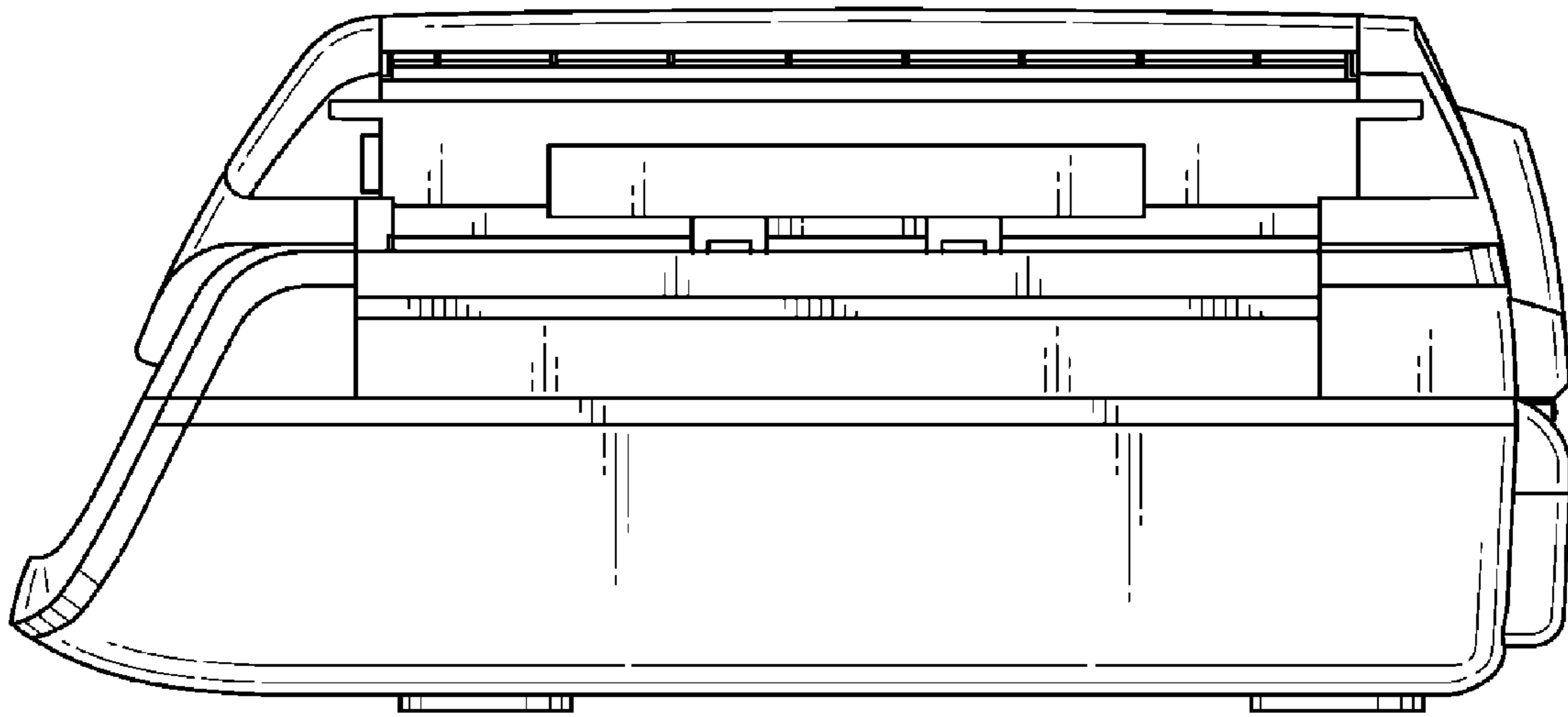


FIG. 5

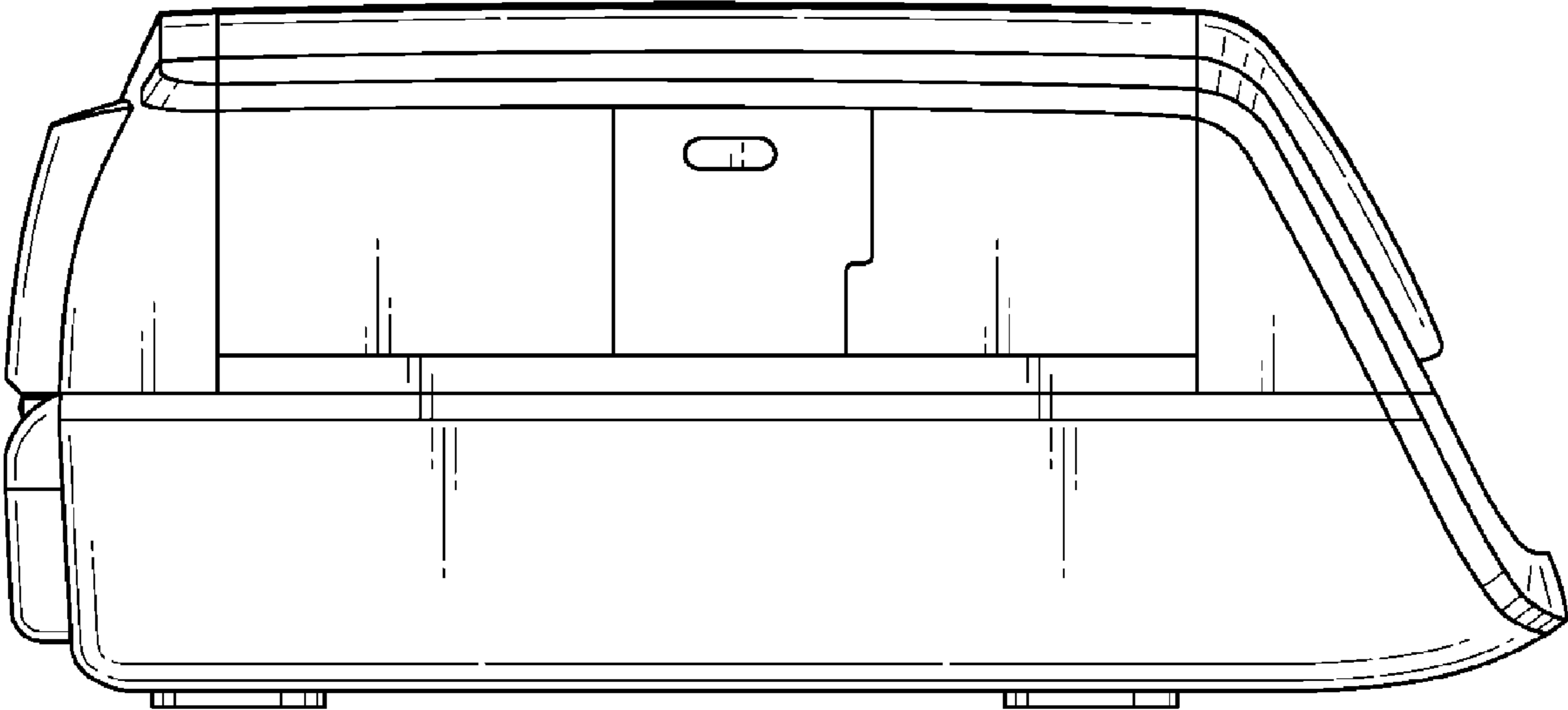
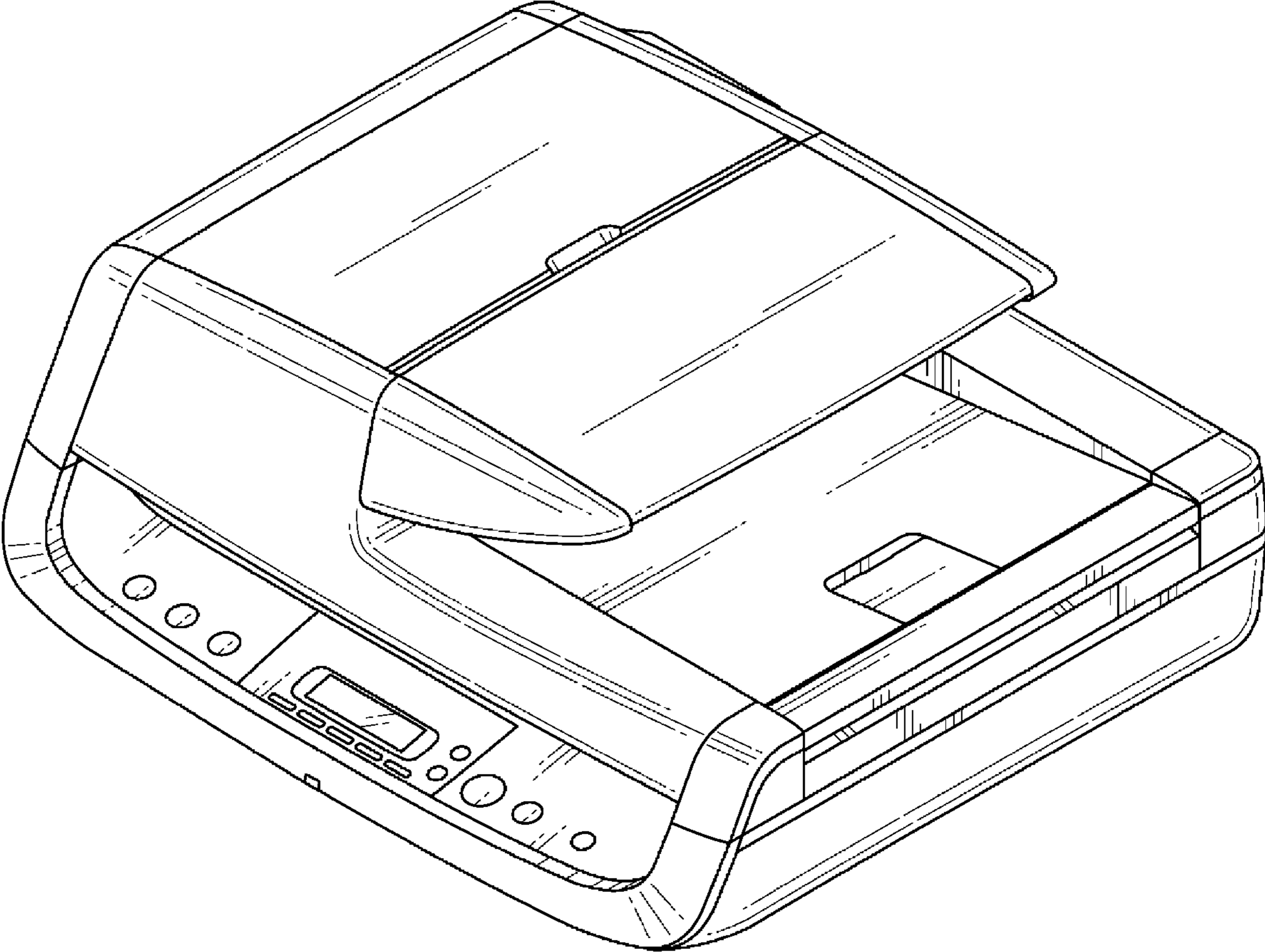


FIG. 6

FIG. 7



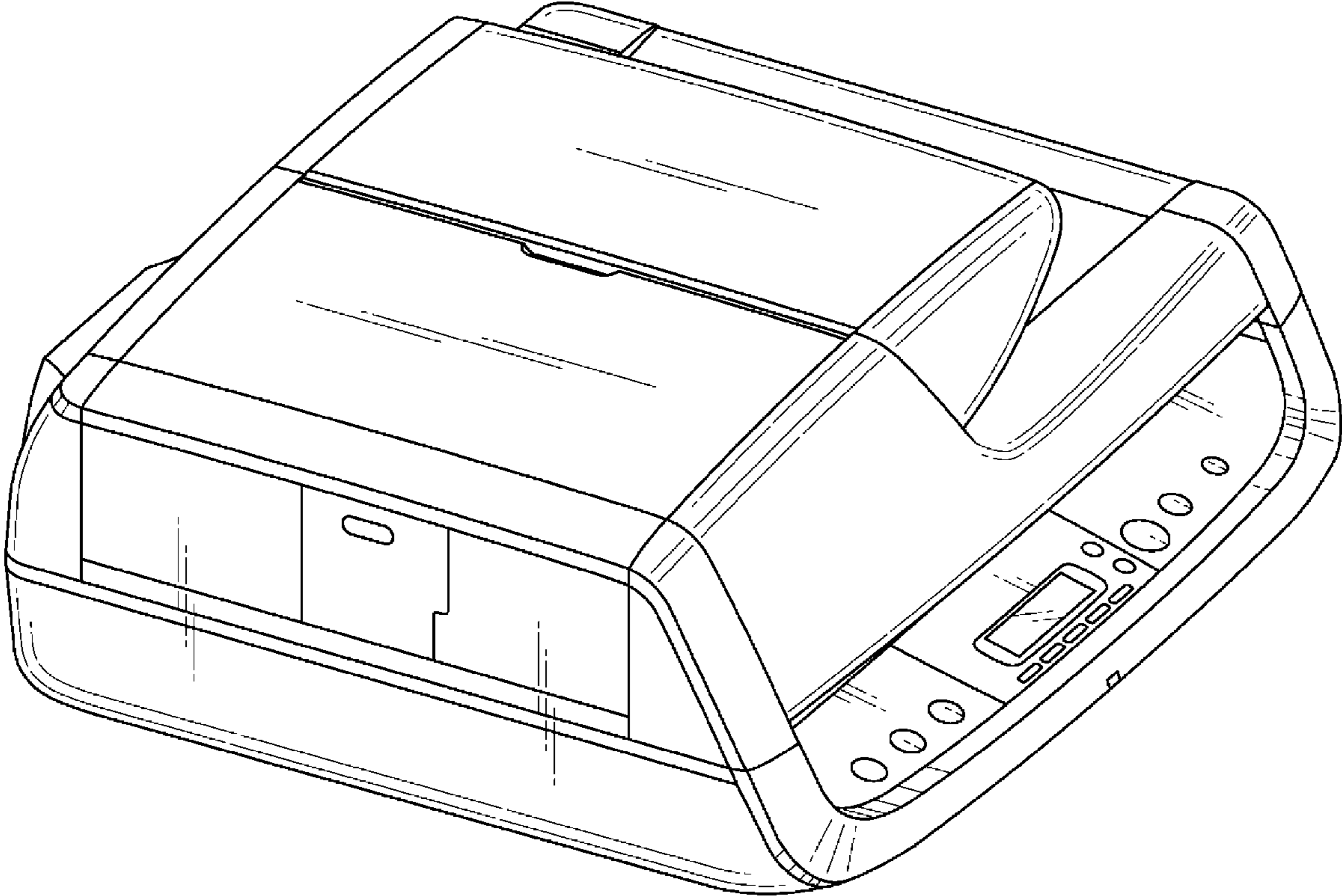


FIG. 8

FIG. 9

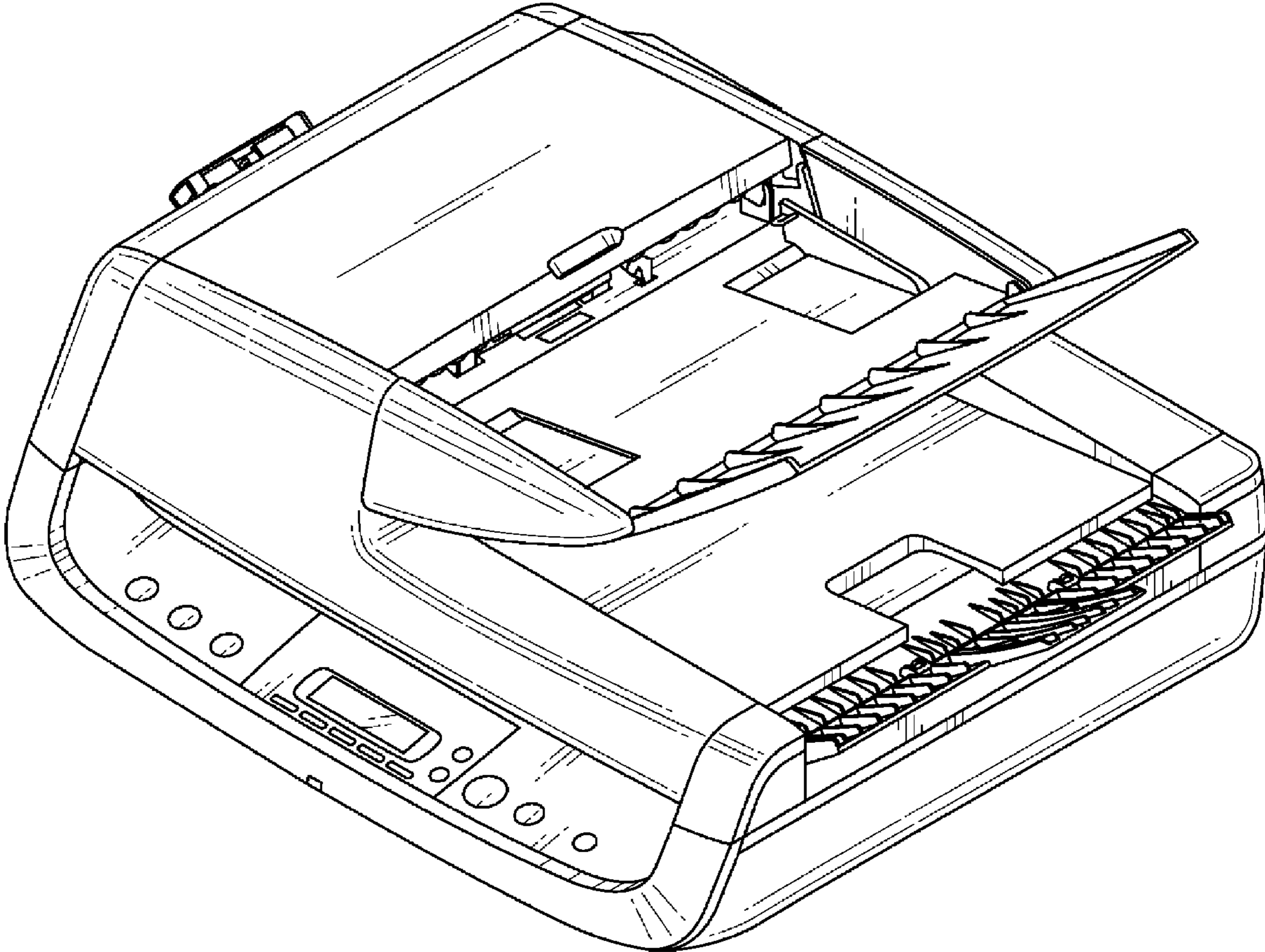


FIG. 10

