

US00D622269S

(12) **United States Design Patent**
Morooka et al.

(10) **Patent No.:** **US D622,269 S**

(45) **Date of Patent:** **** Aug. 24, 2010**

(54) **PERSONAL COMPUTER**

(75) Inventors: **Hisao Morooka**, Kawasaki (JP);
Hiroyuki Fujita, Tokyo (JP)

(73) Assignee: **Fujitsu Limited**, Kawasaki (JP)

(**) Term: **14 Years**

(21) Appl. No.: **29/347,380**

(22) Filed: **Dec. 18, 2009**

(30) **Foreign Application Priority Data**

Jul. 3, 2009 (JP) 2009-015246

(51) **LOC (9) Cl.** **14-02**

(52) **U.S. Cl.** **D14/316**

(58) **Field of Classification Search** D14/315-322;
D18/1, 2, 7, 11; 235/145 A, 145 R; 341/22,
341/23; 345/104, 156, 168, 169, 173, 87,
345/901-905; 361/679.01, 679.06, 679.08,
361/679.55

See application file for complete search history.

(56) **References Cited**

U.S. PATENT DOCUMENTS

D482,687 S * 11/2003 Chu D14/316
6,847,520 B2 * 1/2005 Hashimoto 361/679.01
6,989,985 B2 * 1/2006 Tanimoto et al. 361/679.06
D521,992 S * 5/2006 Morooka et al. D14/316
7,277,086 B2 * 10/2007 Sugihara 345/169
D566,113 S * 4/2008 Morooka et al. D14/318
7,515,405 B2 * 4/2009 Lev et al. 361/679.55
2003/0048600 A1 * 3/2003 Hsu et al. 361/683
2005/0207104 A1 * 9/2005 Love 361/683

FOREIGN PATENT DOCUMENTS

JP D1263640 2/2006

OTHER PUBLICATIONS

“Dell Latitude XT” printed from www1.jp.dell.com/jp/ja/enterprise/notebooks/latit_xt_pd.aspx?refid=latit_xt&cs... on Mar. 1, 2010; pp. 1-3.

Kohjinsha Model SX, printed from jp.kohjinsha.com/models/sx/interface/index.html on Mar. 1, 2010; pp. 2-3.

Kohjinsha Model EX, printed from jp.kohjinsha.com/models/ex6kx16ma/interface/index.html on Mar. 1, 2010; pp. 2-3.

Lenovo ThinkPad X200 Tablet; printed from shopap.lenovo.com/SEUILibrary/controller/e/jpweb/LevonoPortal/ja_JP/catalog; on Mar. 1, 2010; p. 1.

Onkyo NX, printed from www.jp.onkyo.com/pc/notebook/nx707/index.html on Mar. 1, 2010; pp. 1-2.

* cited by examiner

Primary Examiner—Freda S Nunn

(74) *Attorney, Agent, or Firm*—Staas & Halsey LLP

(57) **CLAIM**

The ornamental design for a personal computer, as shown and described.

DESCRIPTION

FIG. 1 is a perspective view of top, front and right side of a personal computer showing our new design;

FIG. 2 is a front view thereof;

FIG. 3 is a rear view thereof;

FIG. 4 is a left side view thereof;

FIG. 5 is a right side view thereof;

FIG. 6 is a top plan view thereof;

FIG. 7 is a bottom view thereof;

FIG. 8 is a cross sectional view taken along lines 8—8 of FIG. 2 and omitting interior mechanism thereof;

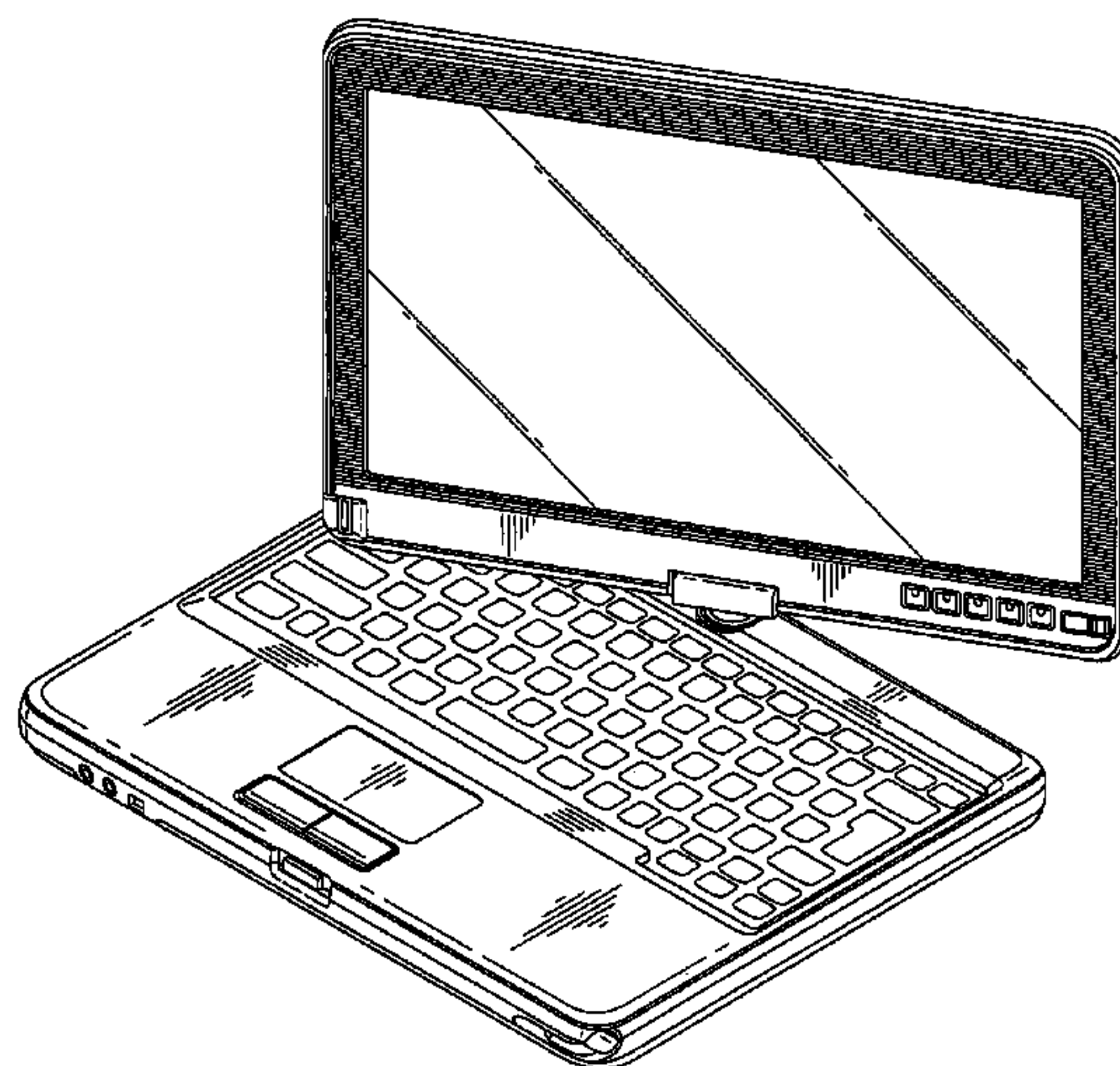
FIG. 9 is partially enlarged view at B—B', C—C' thereof;

FIG. 10 is a front view with display part in closed condition thereof;

FIG. 11 is a perspective view with display part in open and rotated condition thereof; and,

FIG. 12 is a front view with display part in 180 degree-rotation and closed condition.

1 Claim, 9 Drawing Sheets



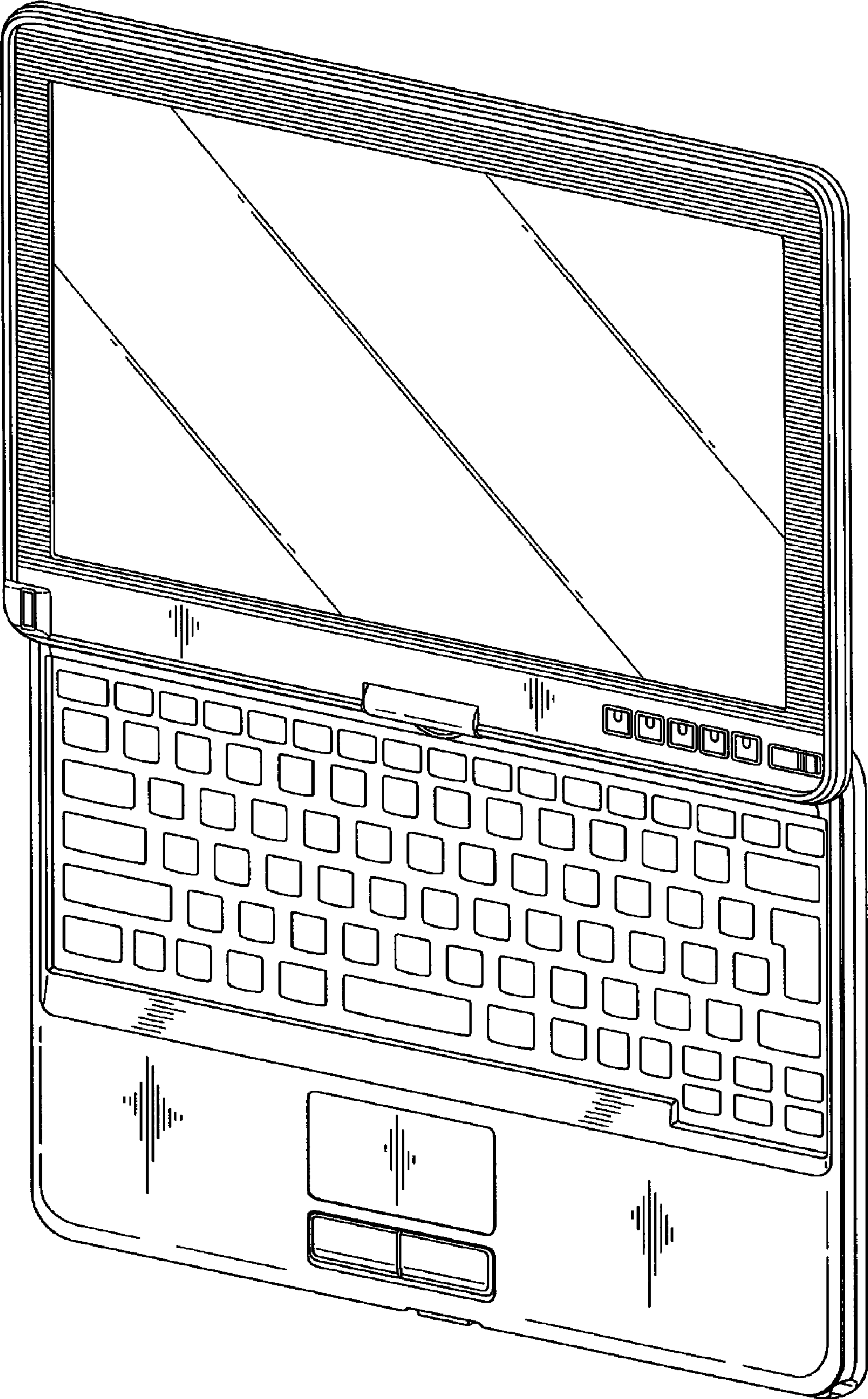
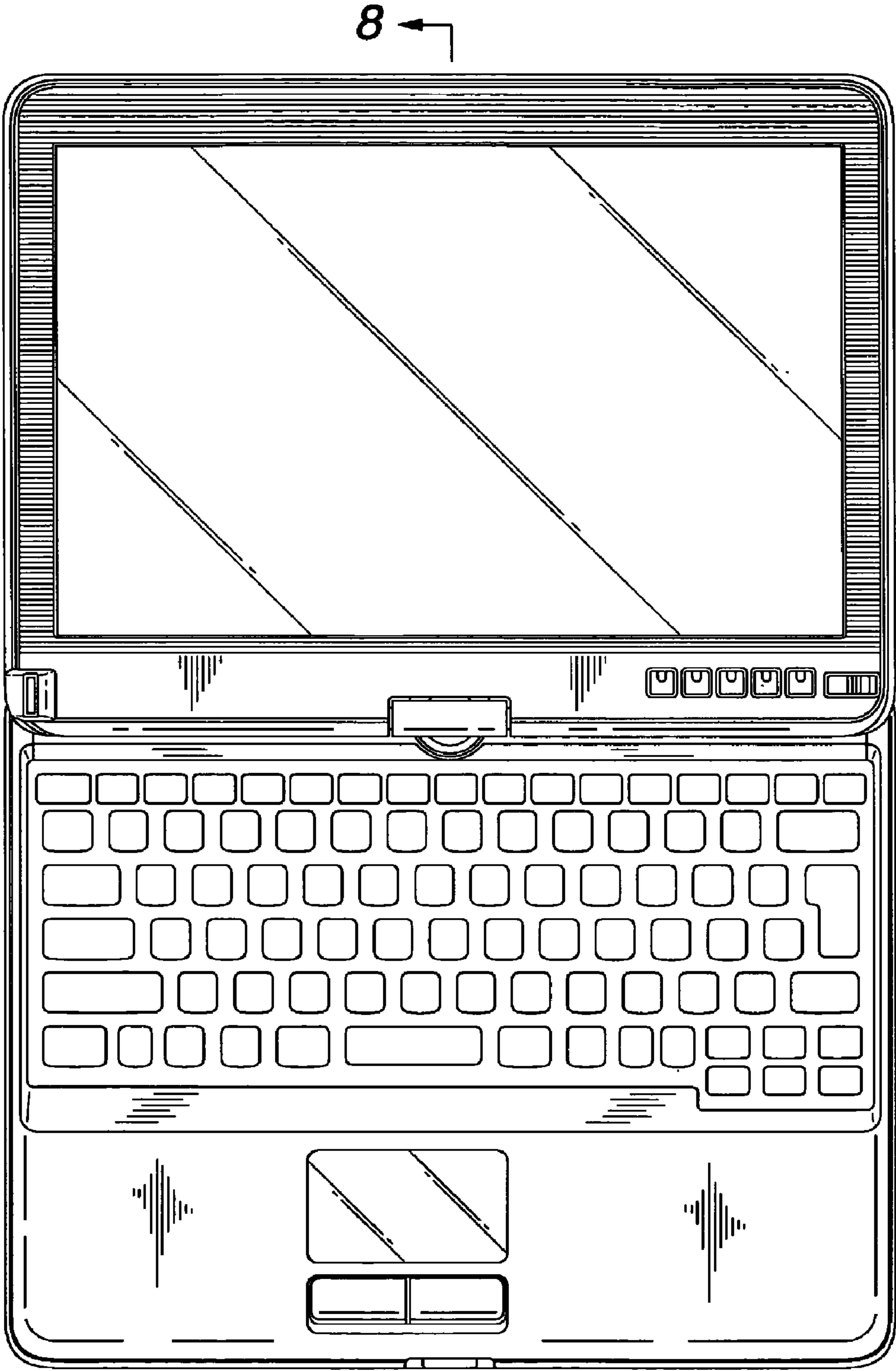


FIG. 1



8 ←
FIG. 2

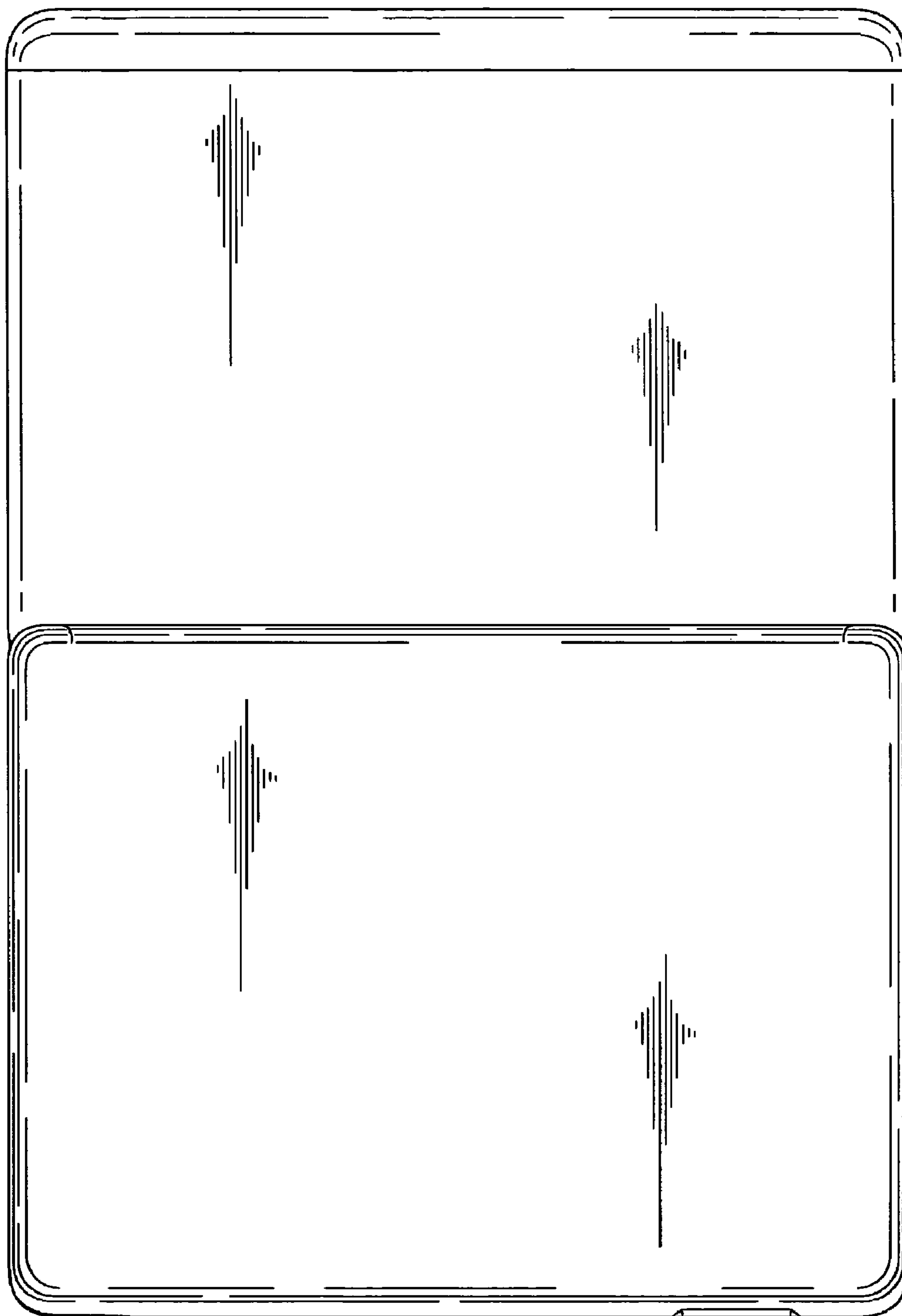


FIG. 3

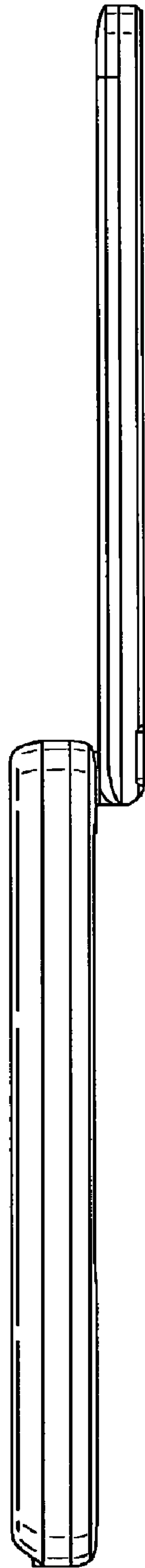


FIG. 4

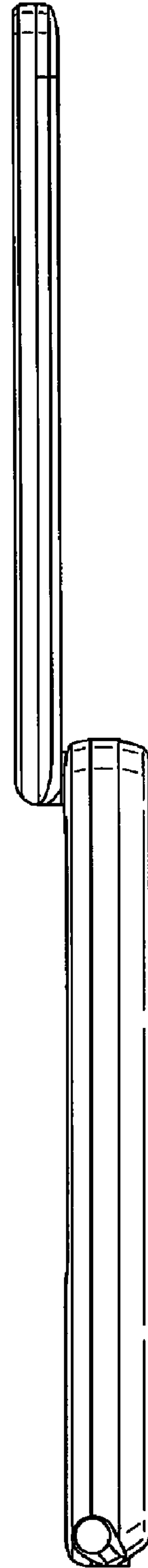


FIG. 5

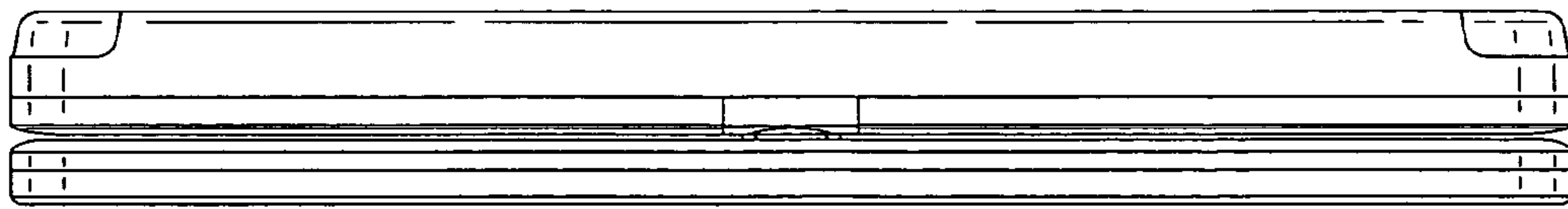


FIG. 6

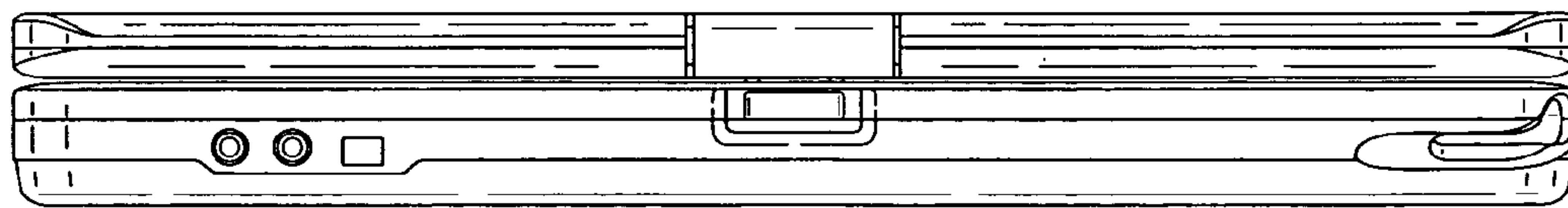


FIG. 7

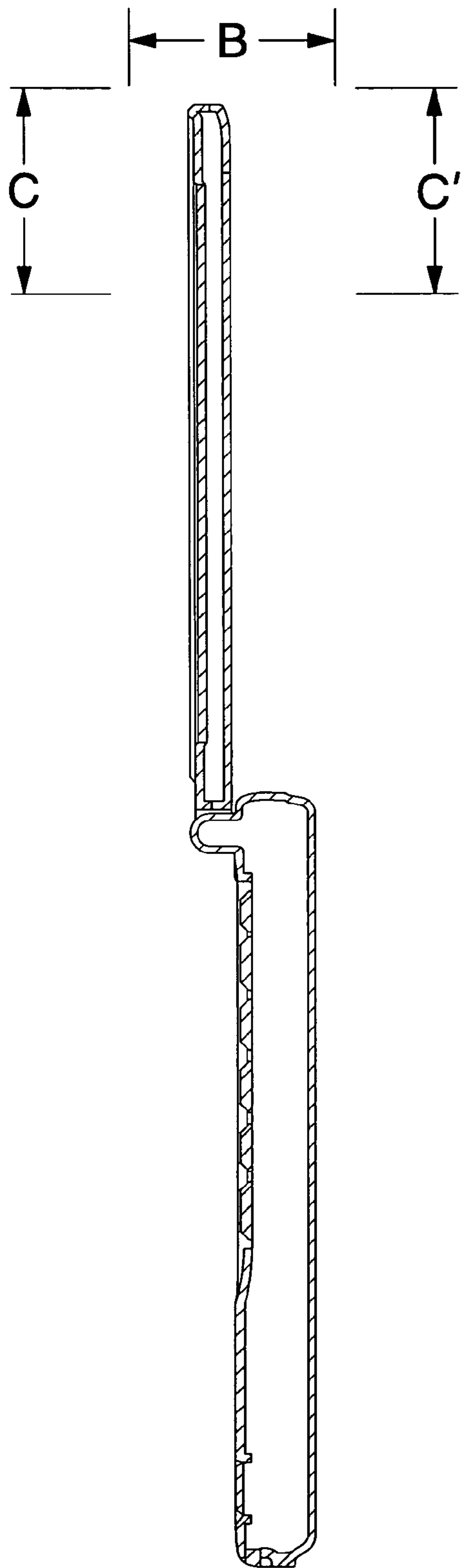


FIG. 8

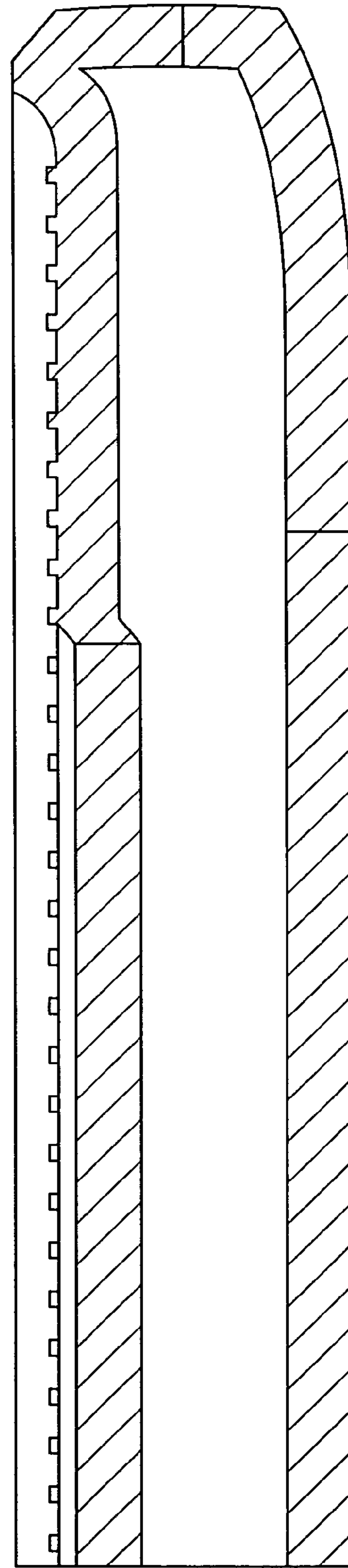


FIG. 9

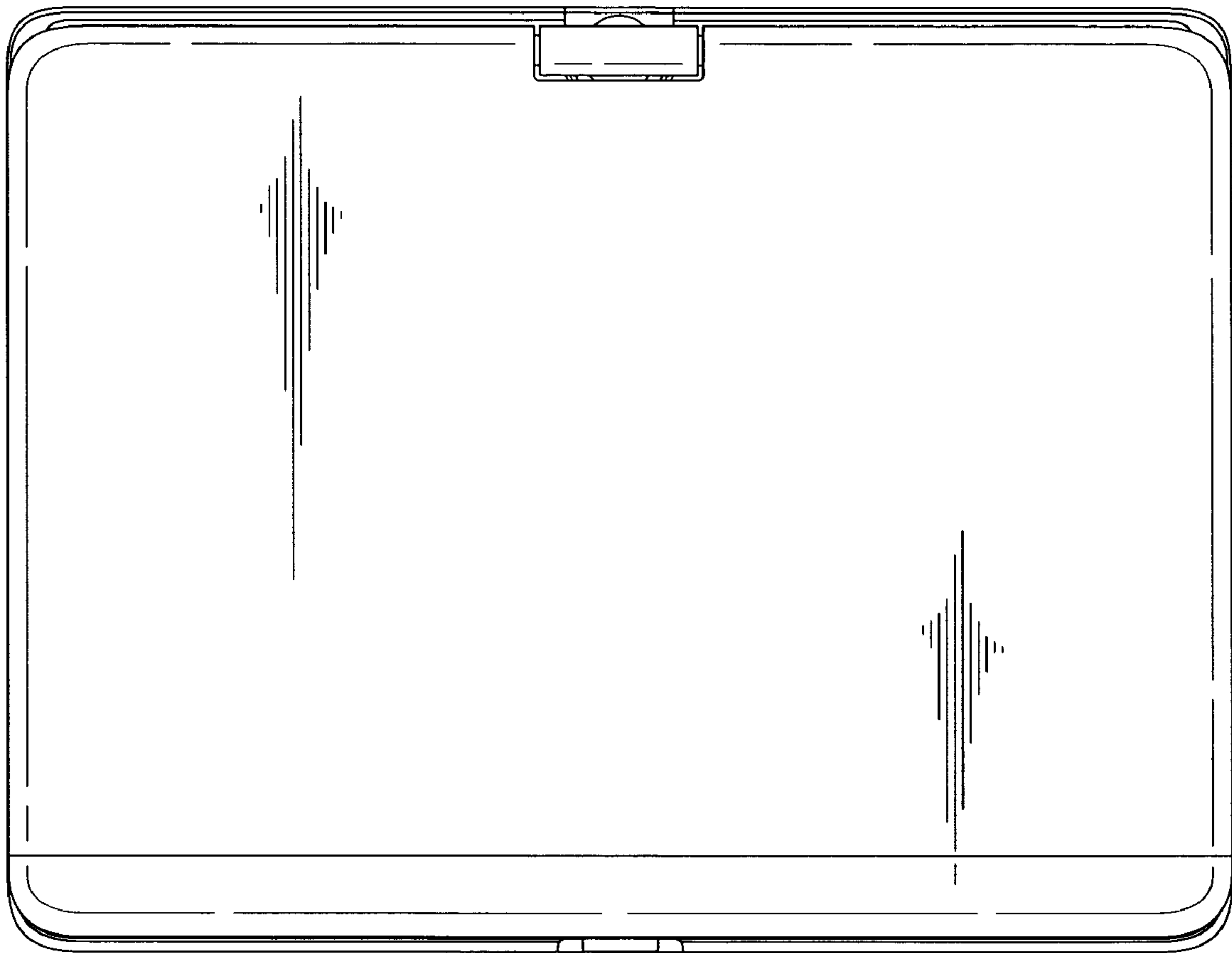


FIG. 10

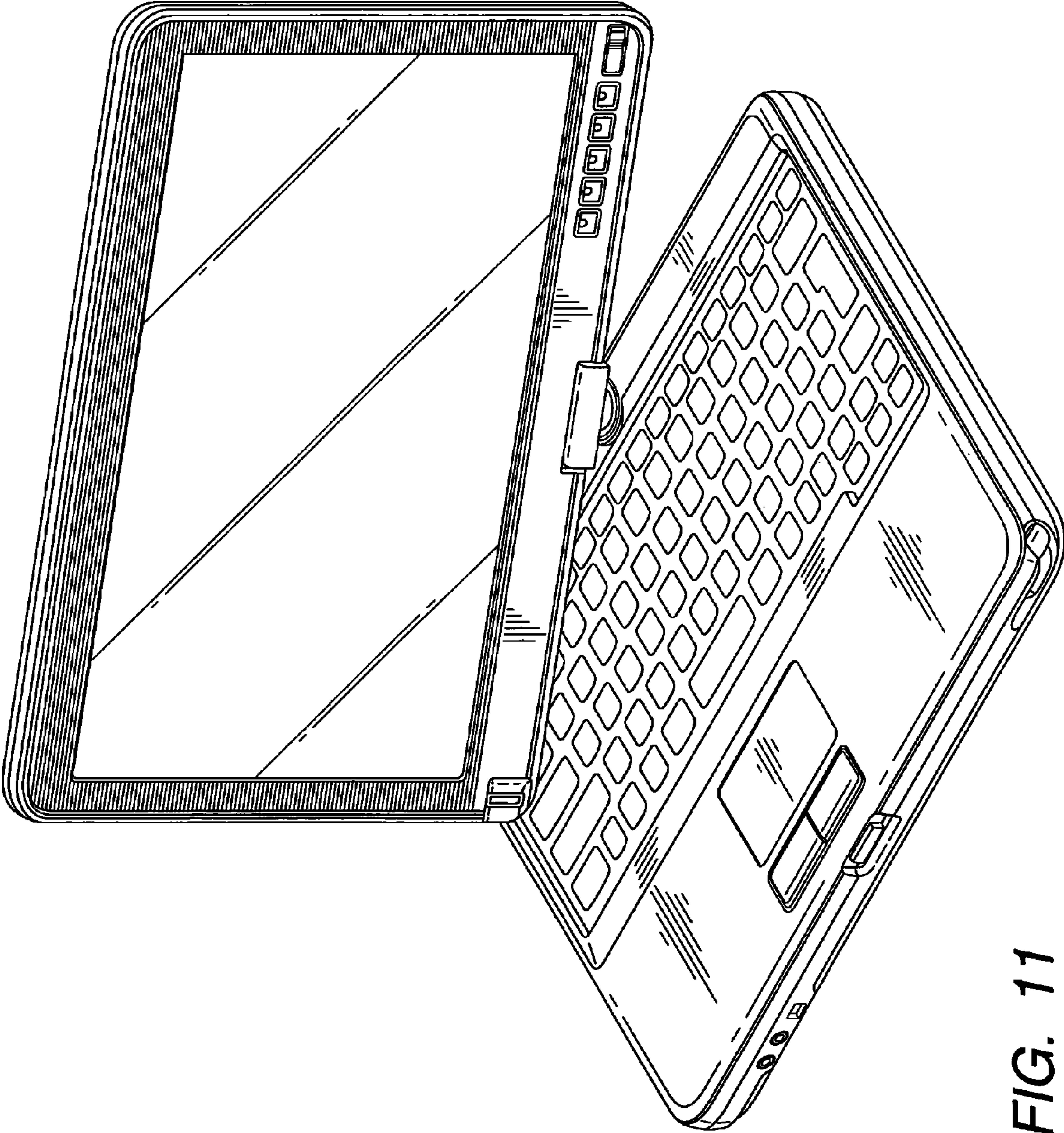


FIG. 11

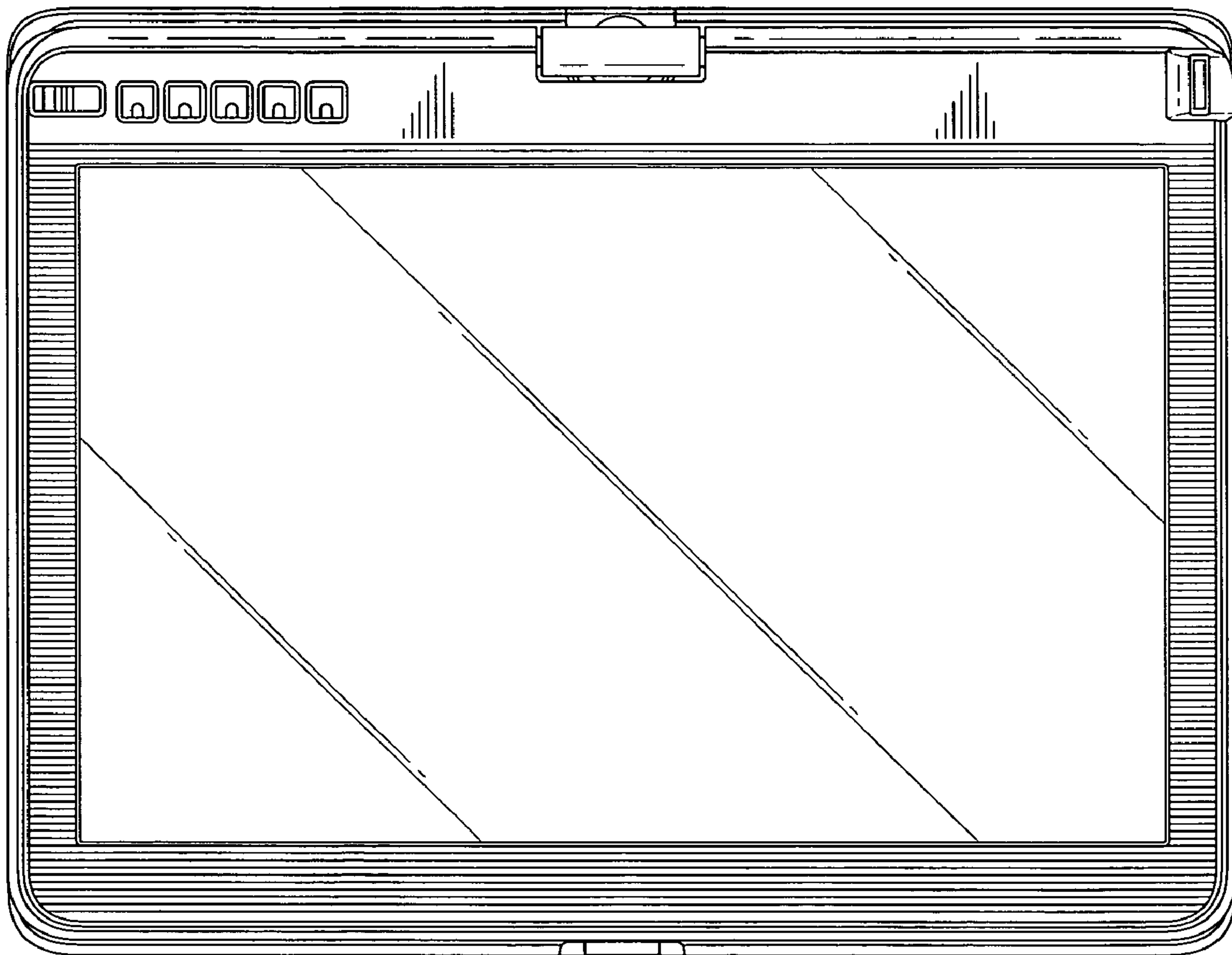


FIG. 12