



US00D622267S

(12) **United States Design Patent**
Tong et al.

(10) **Patent No.:** **US D622,267 S**

(45) **Date of Patent:** **** Aug. 24, 2010**

(54) **CELLPHONE PLUG ADAPTER**

(75) Inventors: **Chi Lun Tong**, Kowloon (HK); **Ka Wah Lai**, Tseung Kwan O (HK)

(73) Assignee: **Telebrands Corp.**, Fairfield, NJ (US)

(**) Term: **14 Years**

(21) Appl. No.: **29/315,636**

(22) Filed: **Jul. 13, 2009**

(51) **LOC (9) Cl.** **14-01**

(52) **U.S. Cl.** **D14/240**

(58) **Field of Classification Search** D14/137,
D14/140-140.9, 155, 167, 188, 204, 205,
D14/207, 210, 215, 218, 230-237, 240, 242,
D14/302, 314, 132-134, 348-358, 363, 383,
D14/433, 435.1, 496; D13/149, 184, 137.1-139.8,
D13/110, 144; 711/100, 115; 361/685, 725,
361/752; 369/272.1, 273, 75.11; 360/133,
360/79.01, 97.03; 379/220.01, 221.09, 220.14,
379/25, 93.09, 93.19, 156, 900, 338-339,
379/441

See application file for complete search history.

(56) **References Cited**

U.S. PATENT DOCUMENTS

2,959,644	A	11/1960	Grace	
3,289,149	A	11/1966	Pawloski	
4,712,250	A	12/1987	Michels et al.	
5,239,309	A	8/1993	Tang et al.	
5,418,836	A	5/1995	Yazaki	
5,583,485	A	12/1996	Van Lente et al.	
5,584,052	A	12/1996	Gulau et al.	
5,714,932	A	2/1998	Castellon et al.	
5,796,819	A	8/1998	Romesburg	
D400,503	S *	11/1998	Burwell et al. D13/138.2
5,867,794	A	2/1999	Hayes et al.	
5,881,150	A	3/1999	Persson	
5,963,872	A	10/1999	Stein	
6,052,603	A	4/2000	Kinzalow et al.	
6,065,075	A	5/2000	Ryzin et al.	
6,069,960	A	5/2000	Mizukami et al.	

6,163,711	A	12/2000	Juntunen et al.	
6,304,764	B1	10/2001	Pan	
D452,842	S *	1/2002	Kajiwara et al. D13/110
6,377,825	B1	4/2002	Kennedy et al.	
6,394,852	B1	5/2002	Huang	
6,424,842	B1	7/2002	Winstead	
6,461,199	B1	10/2002	Koga et al.	

(Continued)

FOREIGN PATENT DOCUMENTS

CN 2506495 8/2002

(Continued)

OTHER PUBLICATIONS

“FM Transmitter with Microphone for Sony Ericsson W580i, W200a, K805i”, 2 pages, <www.paylessgadget.com>, May 4, 2009.

(Continued)

Primary Examiner—Ian Simmons
Assistant Examiner—Charles D Hanson
(74) *Attorney, Agent, or Firm*—Cooper & Dunham LLP

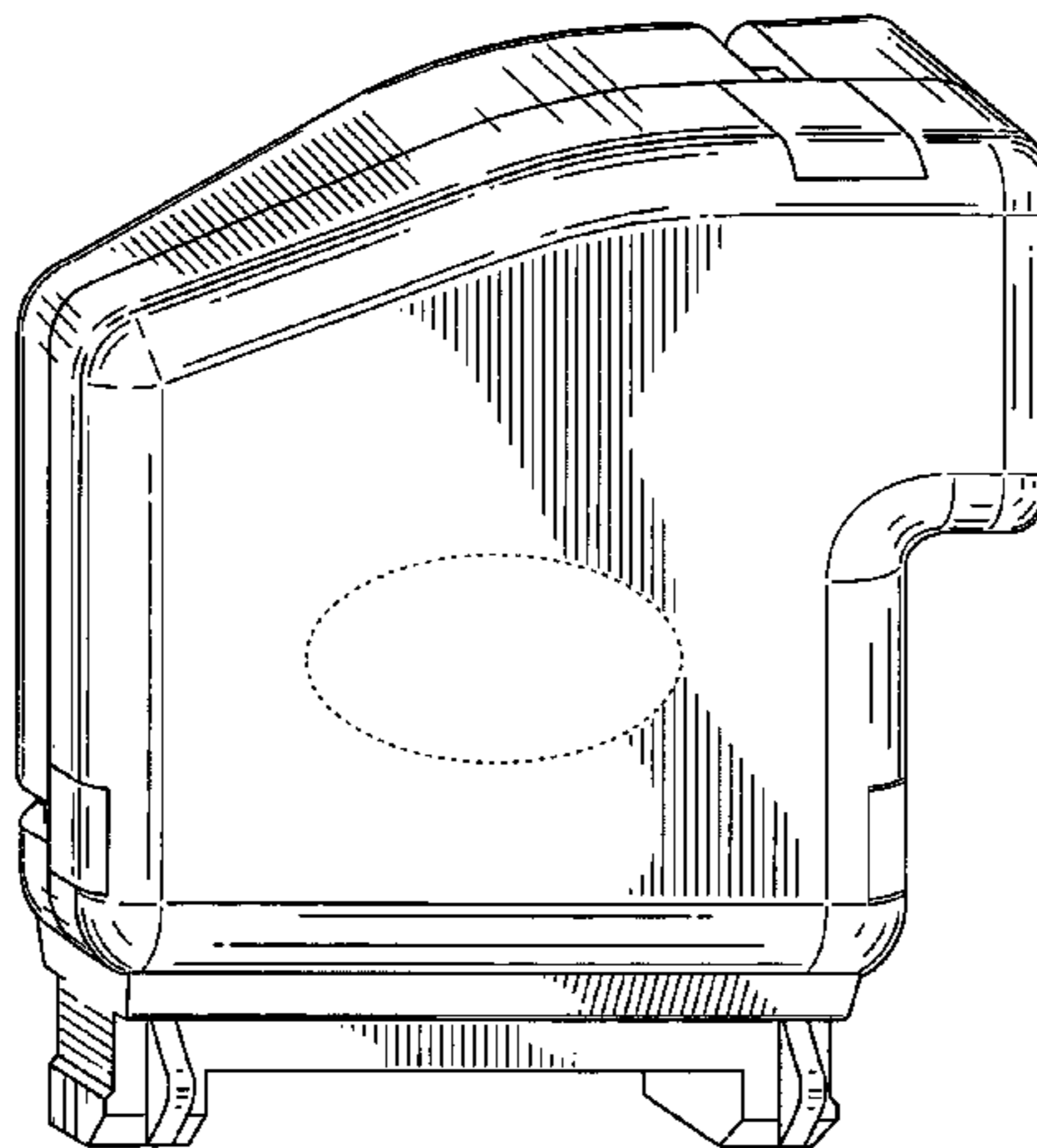
(57) **CLAIM**

The ornamental design for a cellphone plug adapter, as shown and described.

DESCRIPTION

FIG. 1 is a perspective view thereof;
FIG. 2 is a front view thereof;
FIG. 3 is a rear view thereof;
FIG. 4 is a side view thereof;
FIG. 5 is the other side view thereof;
FIG. 6 is a top view thereof; and,
FIG. 7 is a bottom view thereof.
The broken lines in FIGS. 1, 2, 3, and 5 are for illustrative purposes and form no part of the claimed design.

1 Claim, 4 Drawing Sheets



US D622,267 S

Page 2

U.S. PATENT DOCUMENTS

6,493,546 B2 12/2002 Patsiokas
D486,125 S * 2/2004 Lim D13/108
D517,985 S * 3/2006 Hirabayashi et al. D13/110
D531,619 S 11/2006 Chau
D543,940 S * 6/2007 Hussaini et al. D13/144
7,241,179 B2 7/2007 Chennakeshu
7,305,253 B2 12/2007 Snyder et al.
7,340,284 B2 3/2008 Chung
D579,410 S * 10/2008 Hanada et al. D13/110
D595,224 S * 6/2009 Seil et al. D13/110
D610,094 S * 2/2010 Ouimette et al. D13/144
2002/0016188 A1 2/2002 Kashiwamura
2003/0008564 A1 1/2003 Lebron
2003/0148787 A1 8/2003 Hao
2005/0070153 A1 3/2005 Tang
2005/0146227 A1 7/2005 Jackson et al.
2006/0234771 A1 10/2006 Shavrov

FOREIGN PATENT DOCUMENTS

EP 1134958 5/2006

GB 2264613 9/1993

OTHER PUBLICATIONS

“OEM Sony Ericsson NMR-60 FM Music Transmitter”, 2 pages, <www.daydeal.com>, May 4, 2009.
“Sony Ericsson FM Transmitter For Phones”, 2 pages, <gizmodo.com>, May 1, 2009.
“Adapter Photographs”, 7 pages, photographs, before Jul. 1, 2009.
“The Original Black Jack”, 2 pages, photographs, before Jul. 1, 2009.
“Black Jack Handsfree 2.5MM Audio Jack Converter Compatibility Matrix”, 7 pages, before Jul. 1, 2009.
“Engergizer Energi To Go Instant Cell Phone Charger”, 3 pages, photographs, 2007.
“iGo Power Tips” and “iGo” Charger, 6 pages, photographs, 2007.
English language translation of People’s Republic of China Patent Publication No. CN 2506495, Aug. 21, 2002.
“fonfree Radio FX”, 4 pages, photographs, 2005.

* cited by examiner

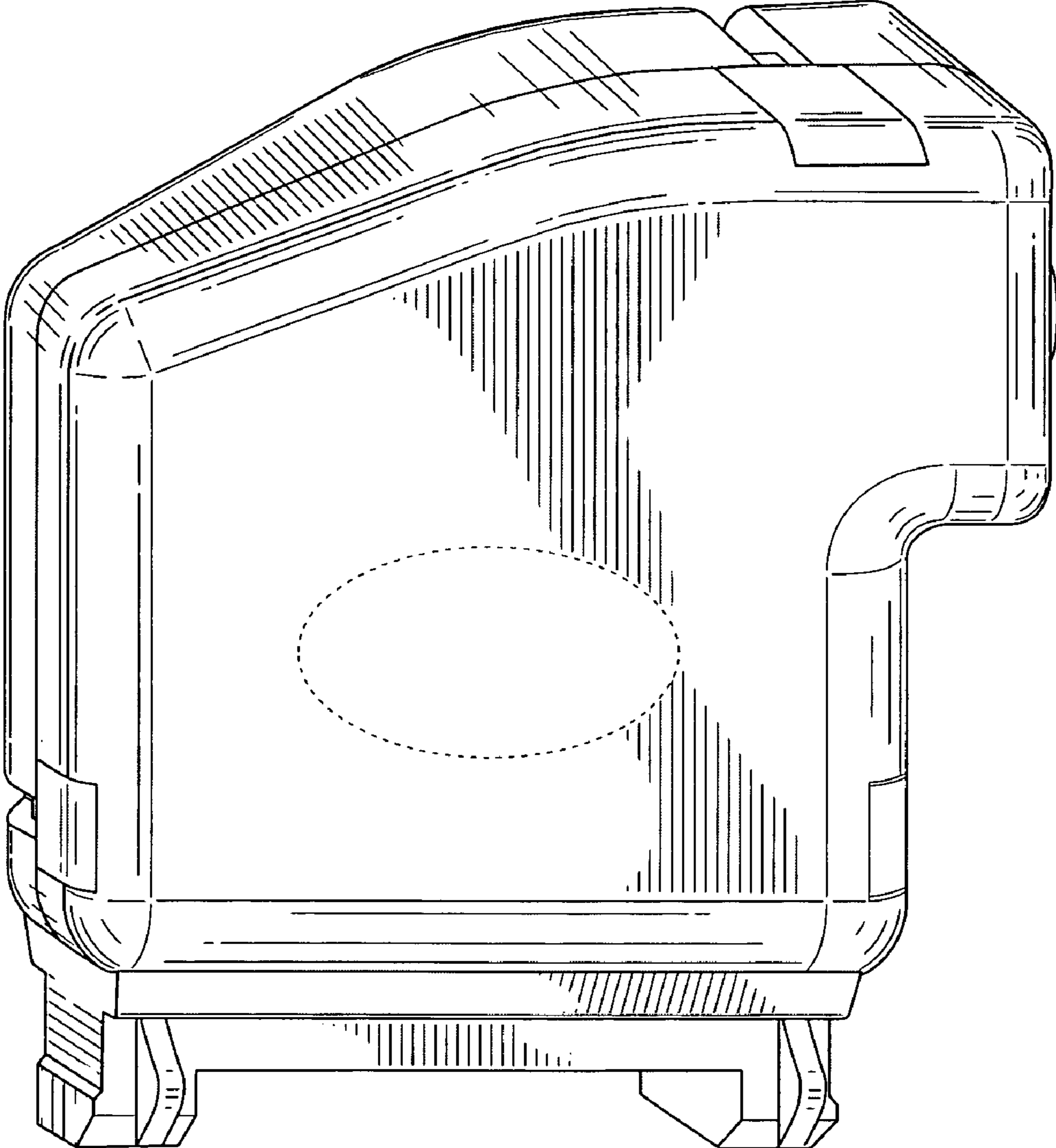


FIG. 1

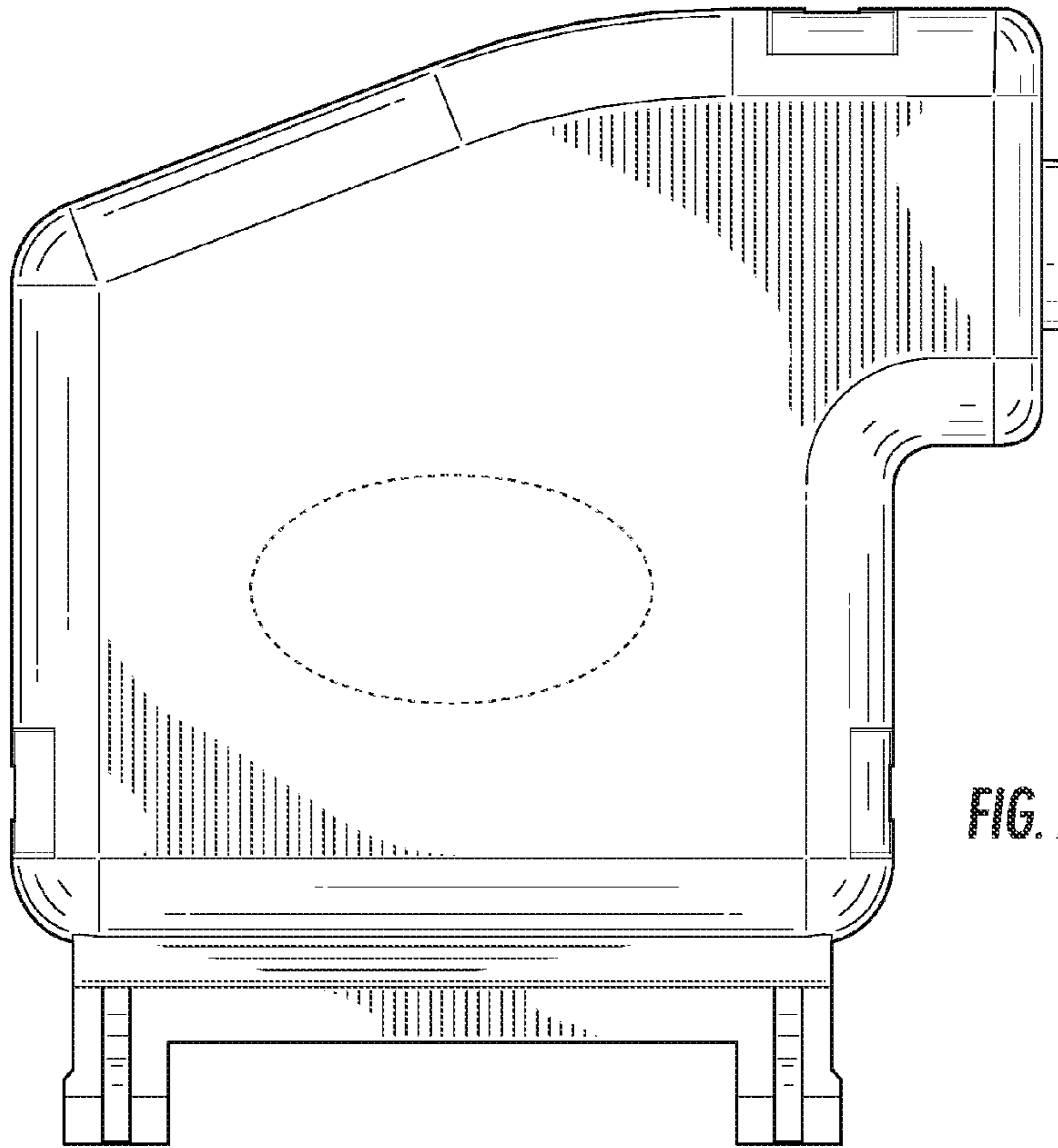


FIG. 2

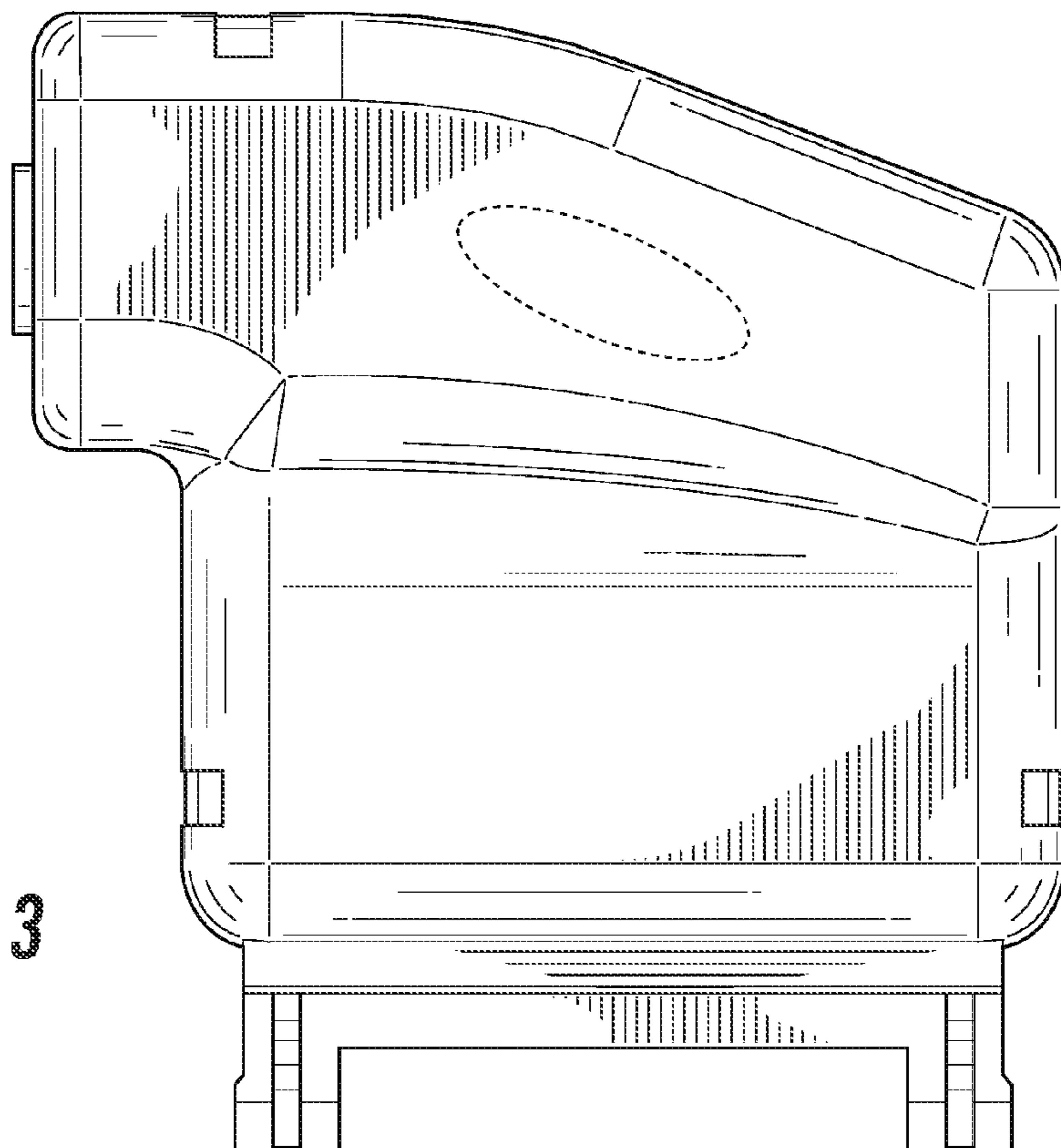


FIG. 3

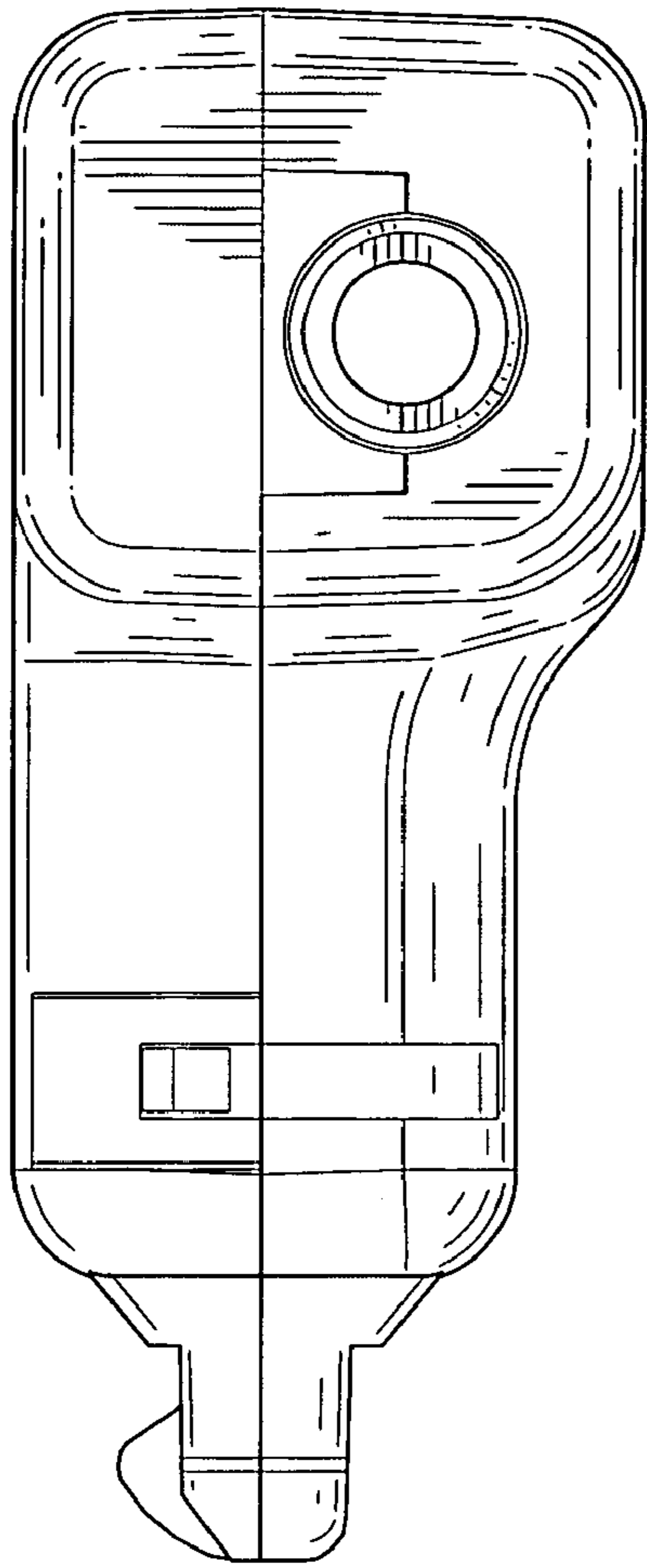


FIG. 4

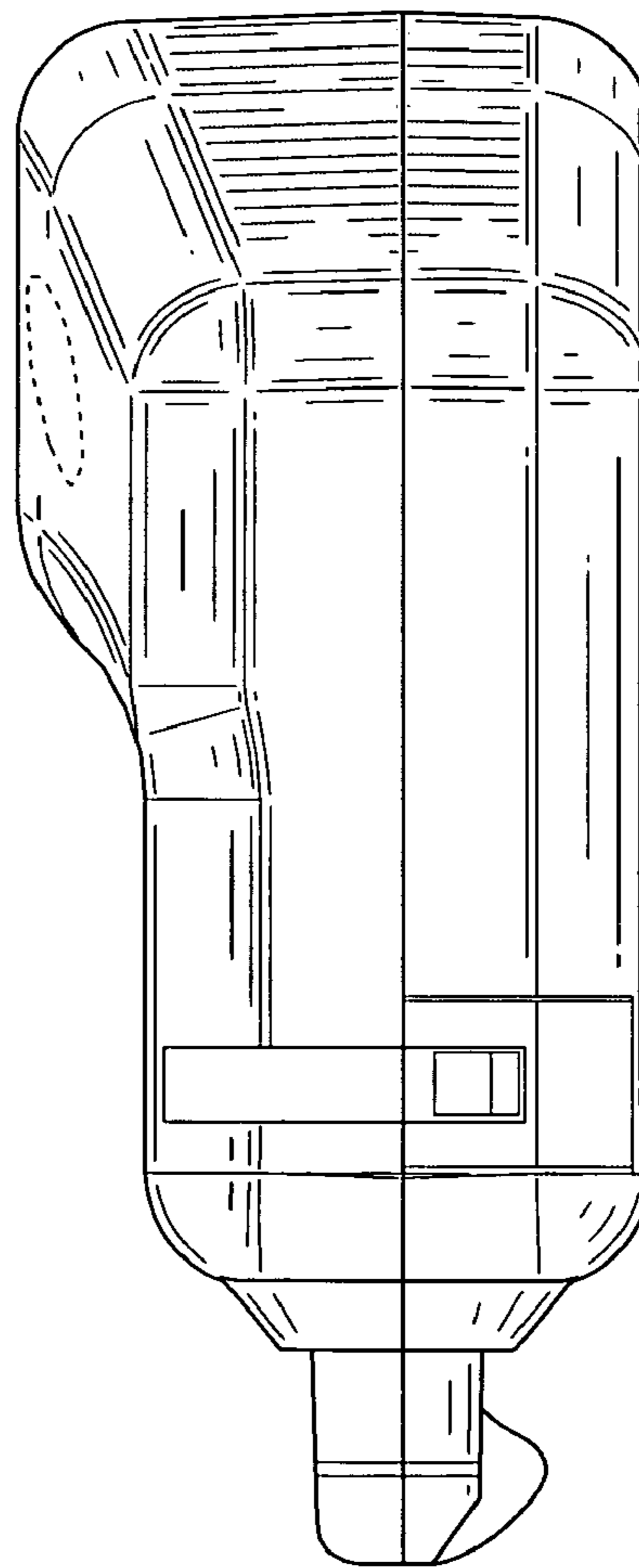


FIG. 5

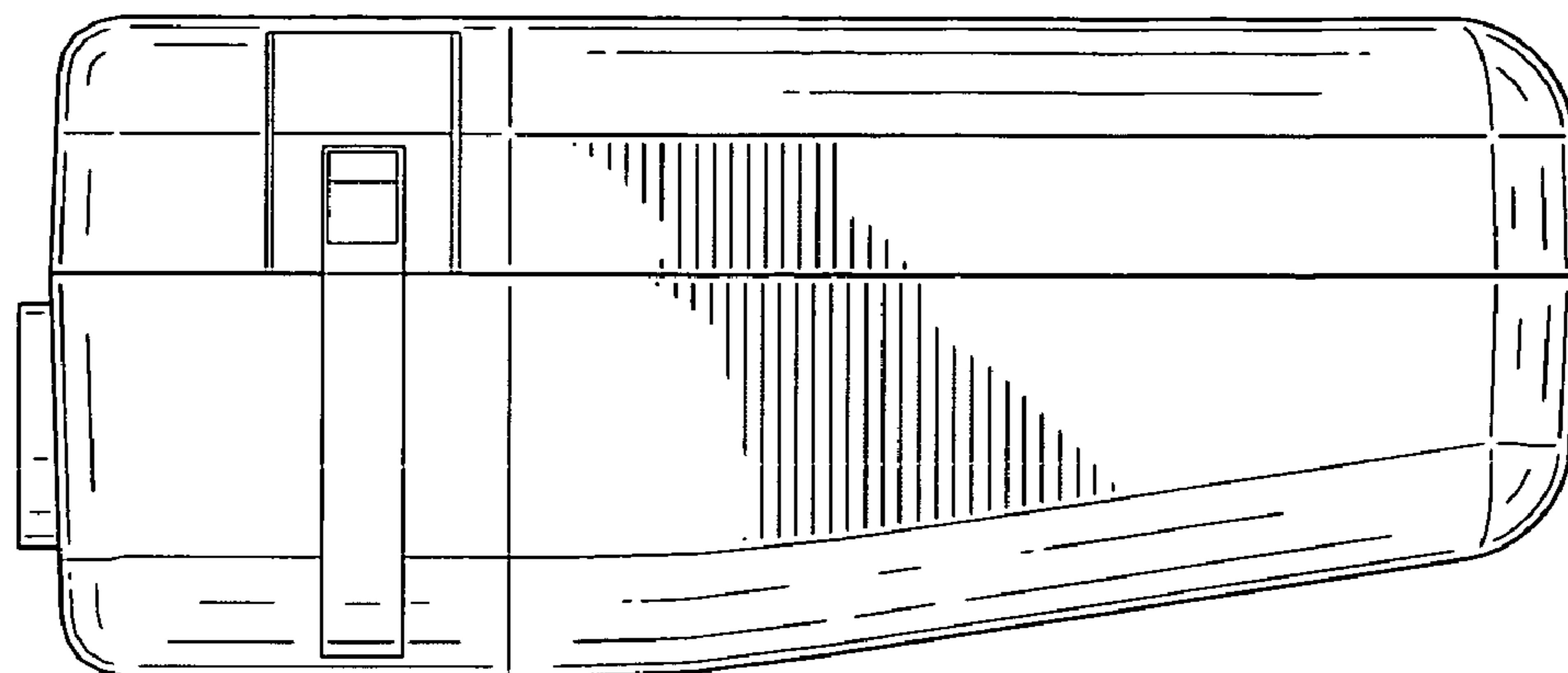


FIG. 6

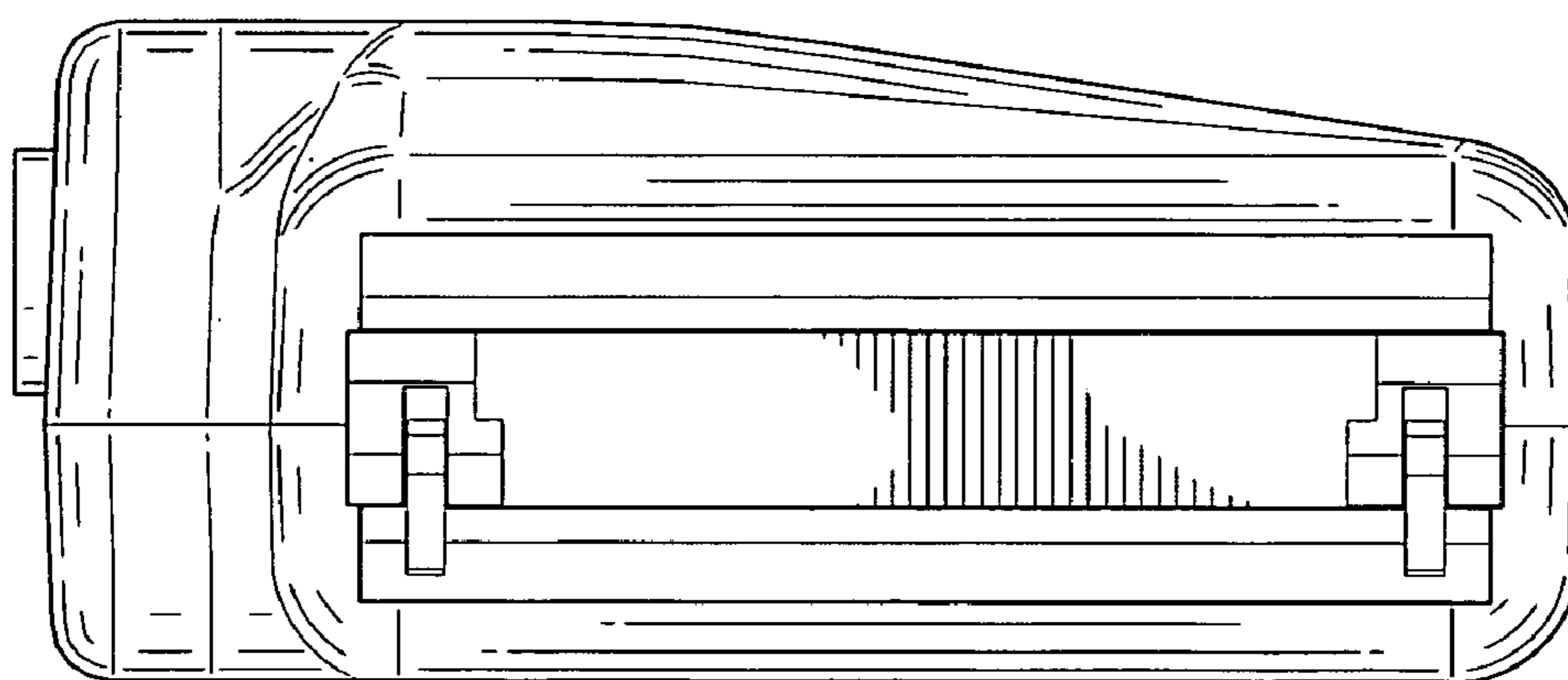


FIG. 7