



US00D622266S

(12) **United States Design Patent**  
**Tzeng et al.**

(10) **Patent No.:** **US D622,266 S**

(45) **Date of Patent:** **\*\* Aug. 24, 2010**

(54) **BLUETOOTH HEADSET**

(75) Inventors: **Guan-Hua Tzeng**, Tu-Cheng (TW);  
**Kun-Wei Tsai**, Tu-Cheng (TW)

(73) Assignee: **Cheng Uei Precision Industry Co., Ltd.**, Tu-Cheng, Taipei Hsien (TW)

(\*\*) Term: **14 Years**

(21) Appl. No.: **29/344,129**

(22) Filed: **Sep. 23, 2009**

(51) **LOC (9) Cl.** ..... **14-01**

(52) **U.S. Cl.** ..... **D14/223**

(58) **Field of Classification Search** ..... D14/205,  
D14/206, 223, 192; 181/129, 130; 379/430,  
379/433.02, 420.02, 428.01; 381/380, 381,  
381/379, 376, 377; 455/575.2, 569.1, 90.1  
See application file for complete search history.

(56) **References Cited**

**U.S. PATENT DOCUMENTS**

D475,359 S	*	6/2003	Hirose	.....	D14/480.1
D481,374 S	*	10/2003	Lee	.....	D14/188
D500,484 S	*	1/2005	Deguchi	.....	D14/480.1
D508,479 S	*	8/2005	Okada	.....	D14/206
D508,485 S	*	8/2005	Katsumata	.....	D14/223
D509,210 S	*	9/2005	Skulley et al.	.....	D14/205
D511,770 S	*	11/2005	Chung	.....	D14/240
D512,991 S	*	12/2005	Yano	.....	D14/223
D526,313 S	*	8/2006	Murray	.....	D14/223
D533,540 S	*	12/2006	Murray	.....	D14/205
D538,784 S	*	3/2007	Eklund	.....	D14/205
D543,539 S	*	5/2007	Sade et al.	.....	D14/223
D553,613 S	*	10/2007	Sade et al.	.....	D14/223

D555,151 S	*	11/2007	Eklund	.....	D14/223
D556,740 S	*	12/2007	Xavier	.....	D14/223
D566,105 S	*	4/2008	Yang et al.	.....	D14/223
D574,366 S	*	8/2008	Sade et al.	.....	D14/223
D586,791 S	*	2/2009	Birger et al.	.....	D14/223
D595,262 S	*	6/2009	Nousiainen	.....	D14/206
D596,166 S	*	7/2009	Henning	.....	D14/223
D602,006 S	*	10/2009	Kim et al.	.....	D14/223
D602,476 S	*	10/2009	Lee et al.	.....	D14/223

\* cited by examiner

*Primary Examiner*—Paula Greene

(74) *Attorney, Agent, or Firm*—Cheng-Ju Chiang

(57) **CLAIM**

The ornamental design for Bluetooth headset, as shown and described.

**DESCRIPTION**

FIG. 1 is a perspective view of Bluetooth headset showing our new design;

FIG. 2 is a front elevational view thereof;

FIG. 3 is a rear elevational view thereof;

FIG. 4 is a left side elevational view thereof;

FIG. 5 is a right side elevational view thereof;

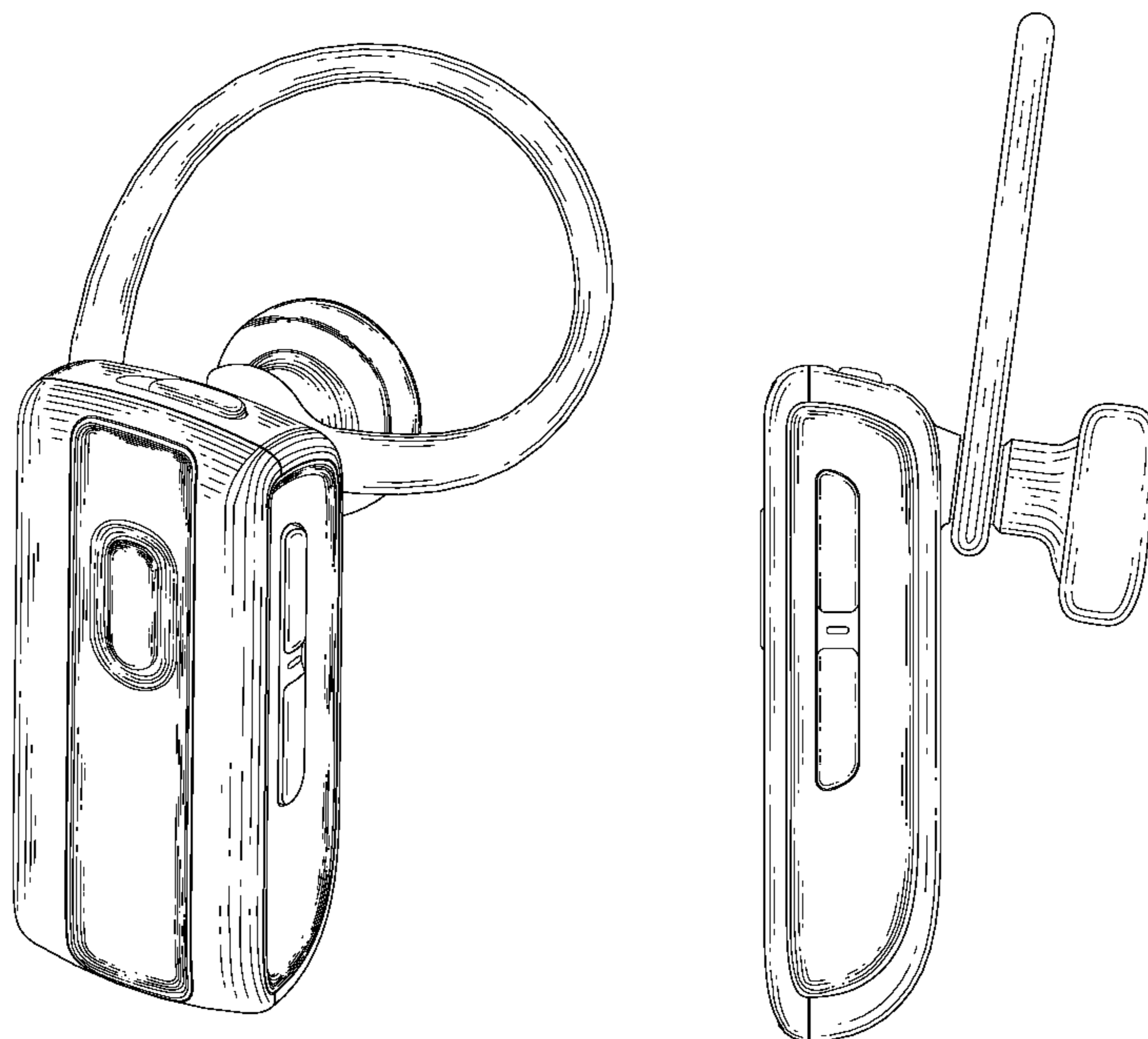
FIG. 6 is a top plan view thereof;

FIG. 7 is a bottom plan view thereof; and,

FIG. 8 is another perspective view of Bluetooth headset showing our new design.

The broken lines in the Figures are for illustrative purposes and form no part of the claimed design.

**1 Claim, 8 Drawing Sheets**



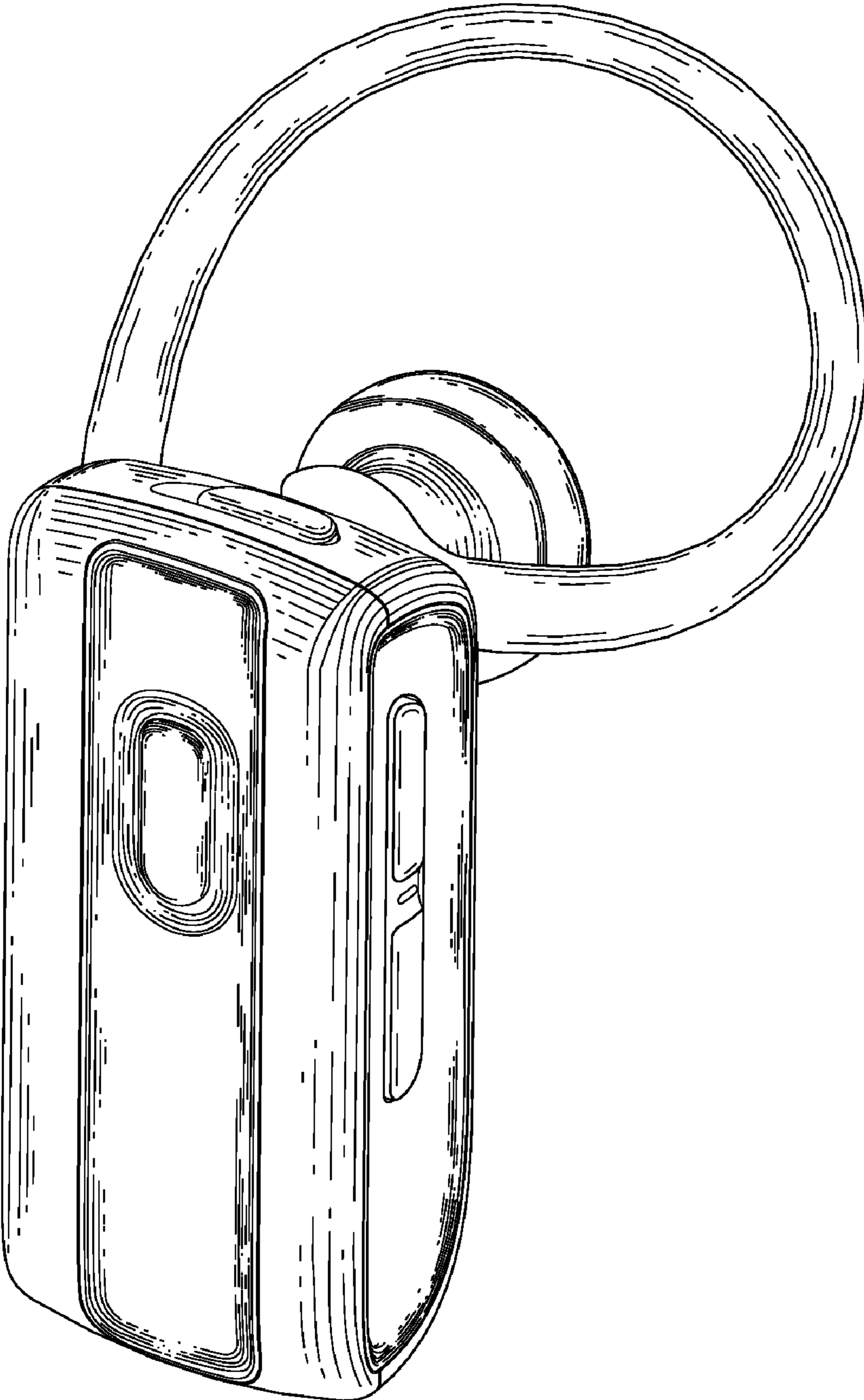


FIG. 1

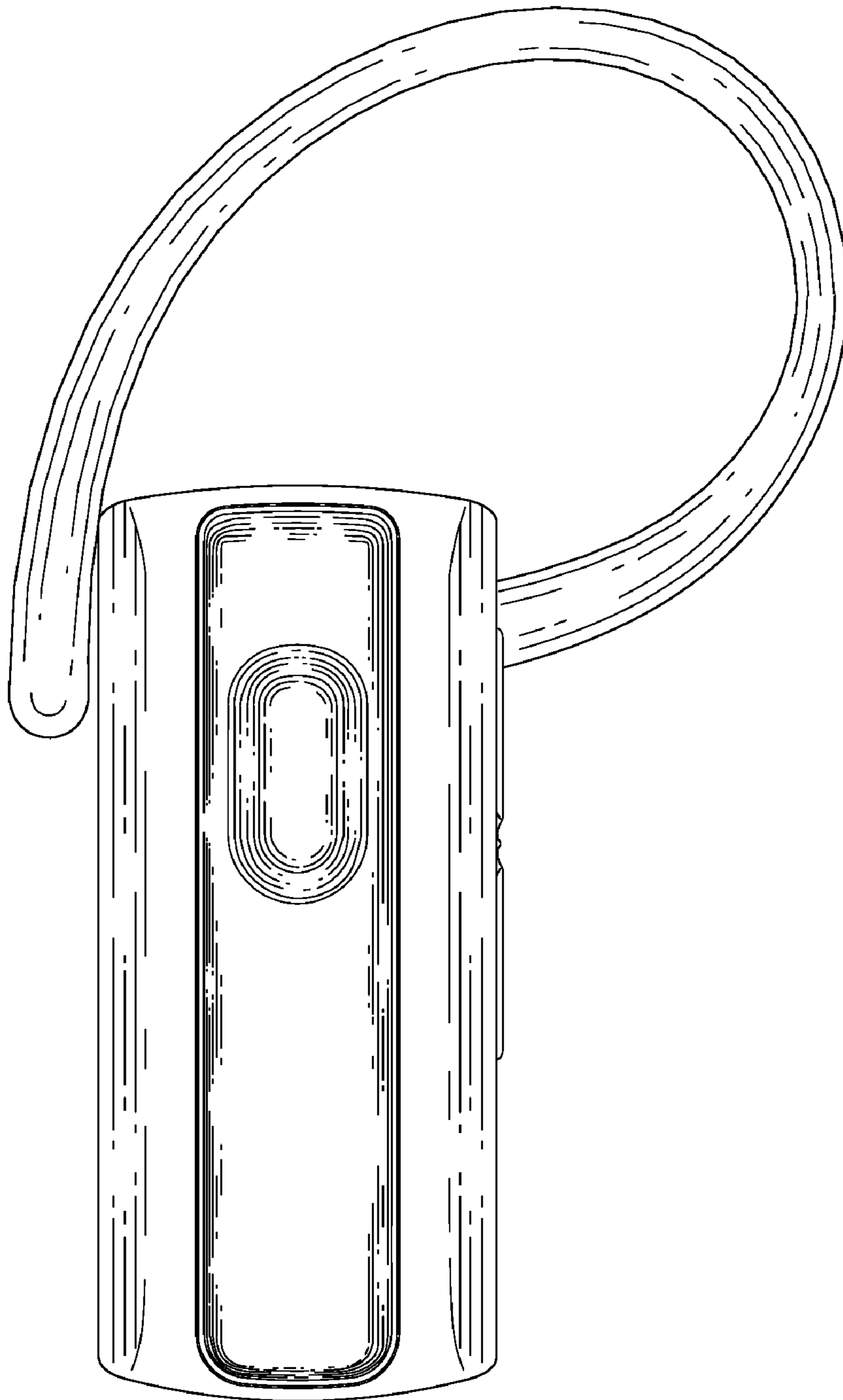


FIG. 2

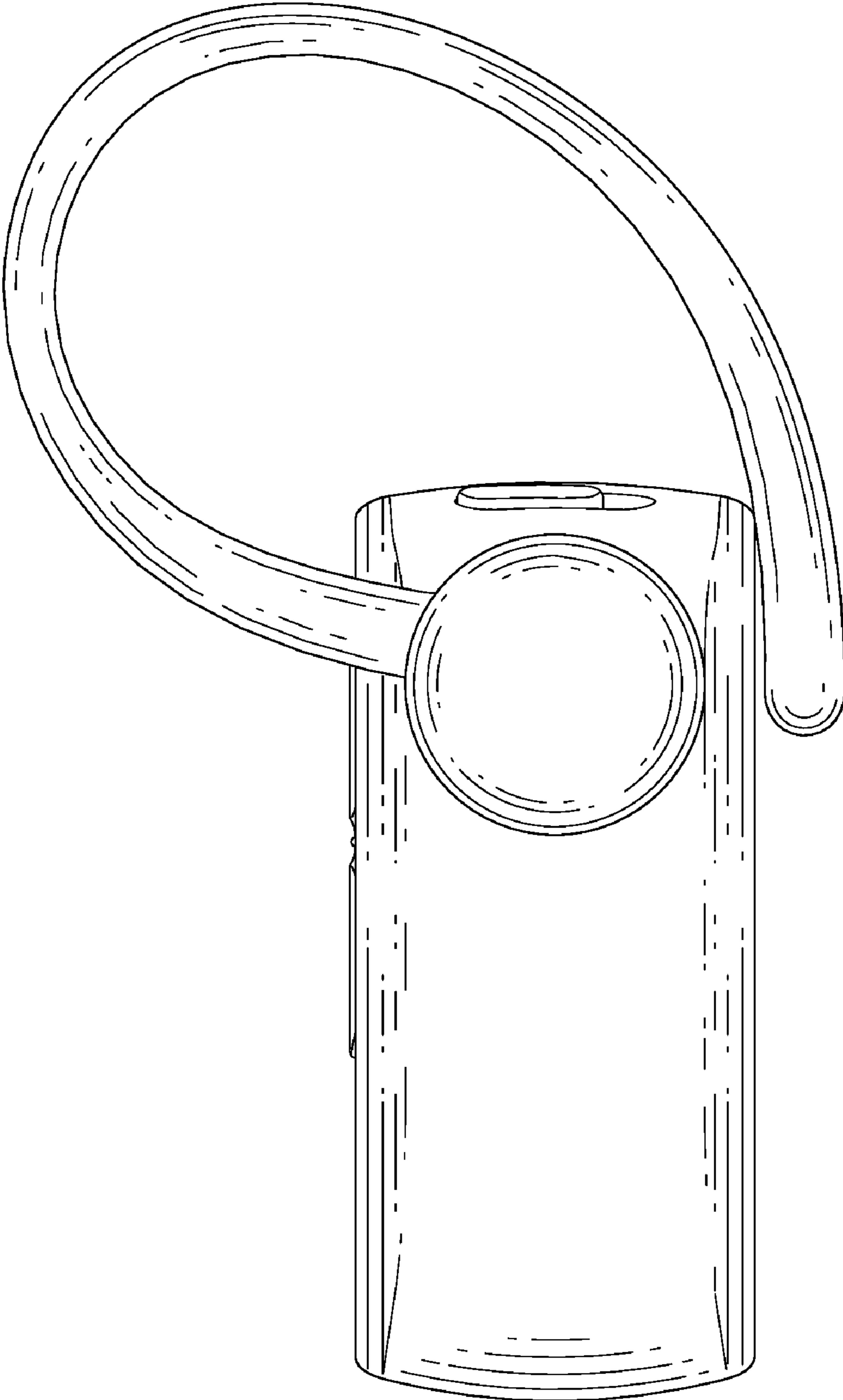


FIG. 3

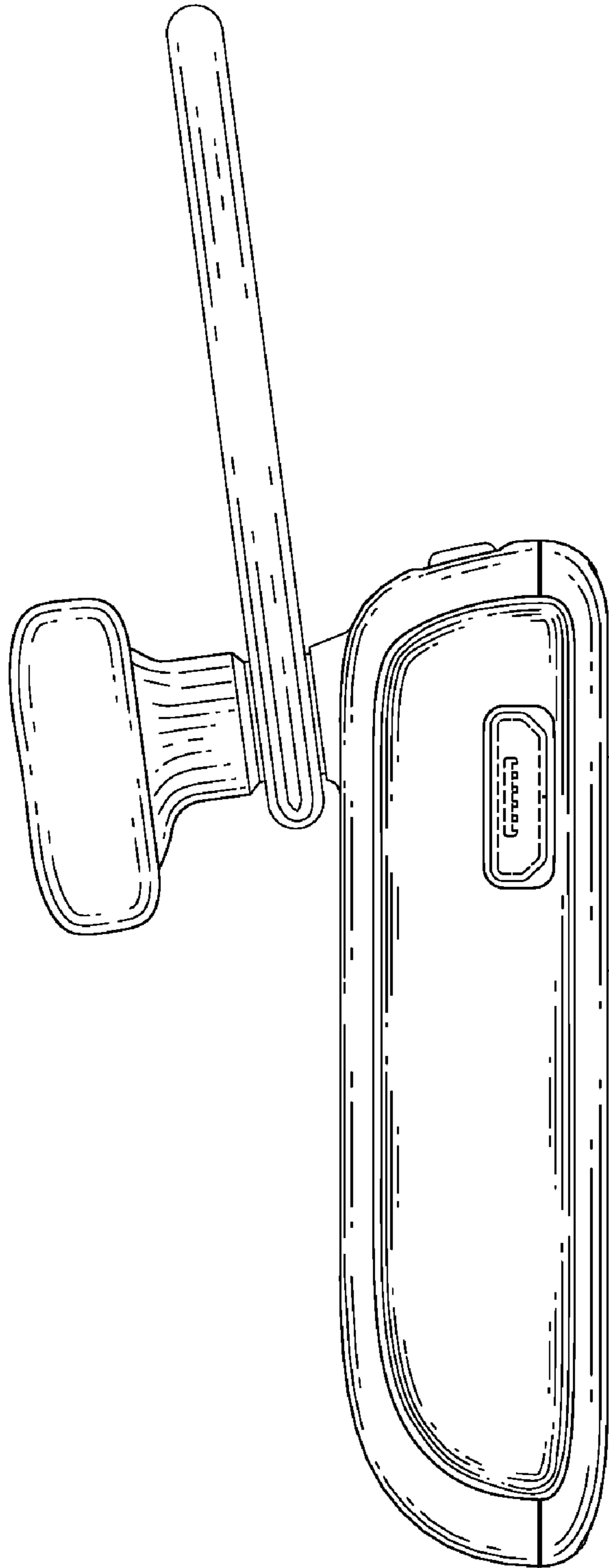


FIG. 4

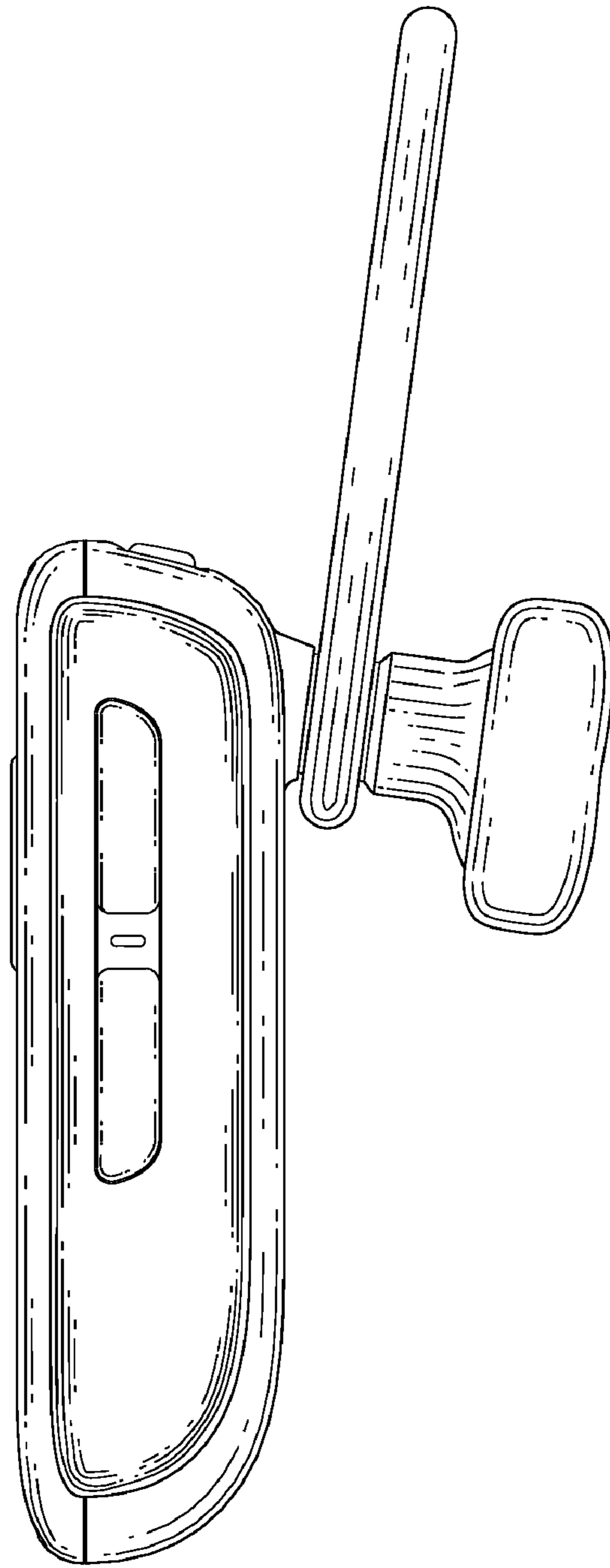


FIG. 5



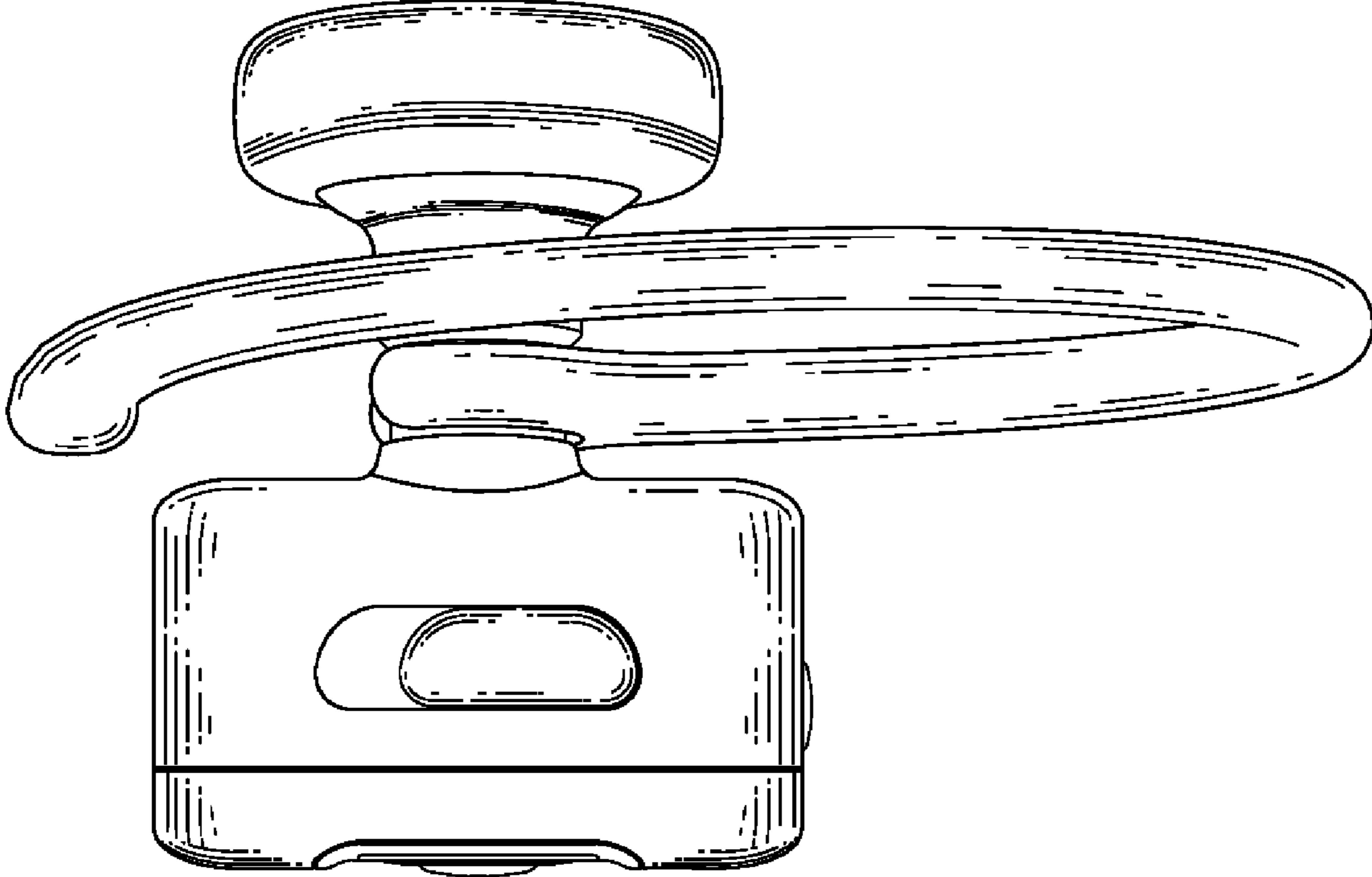


FIG. 6

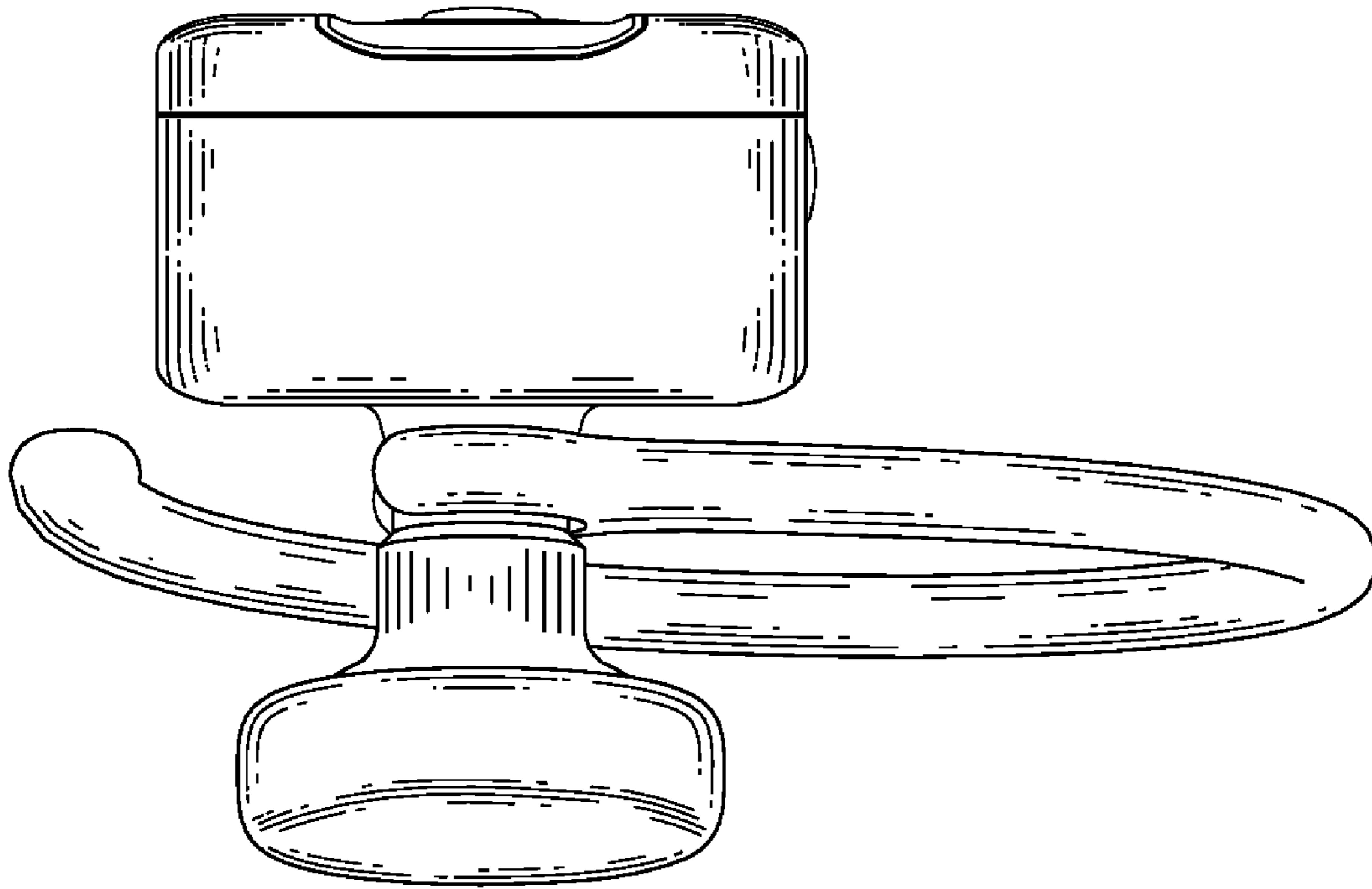


FIG. 7



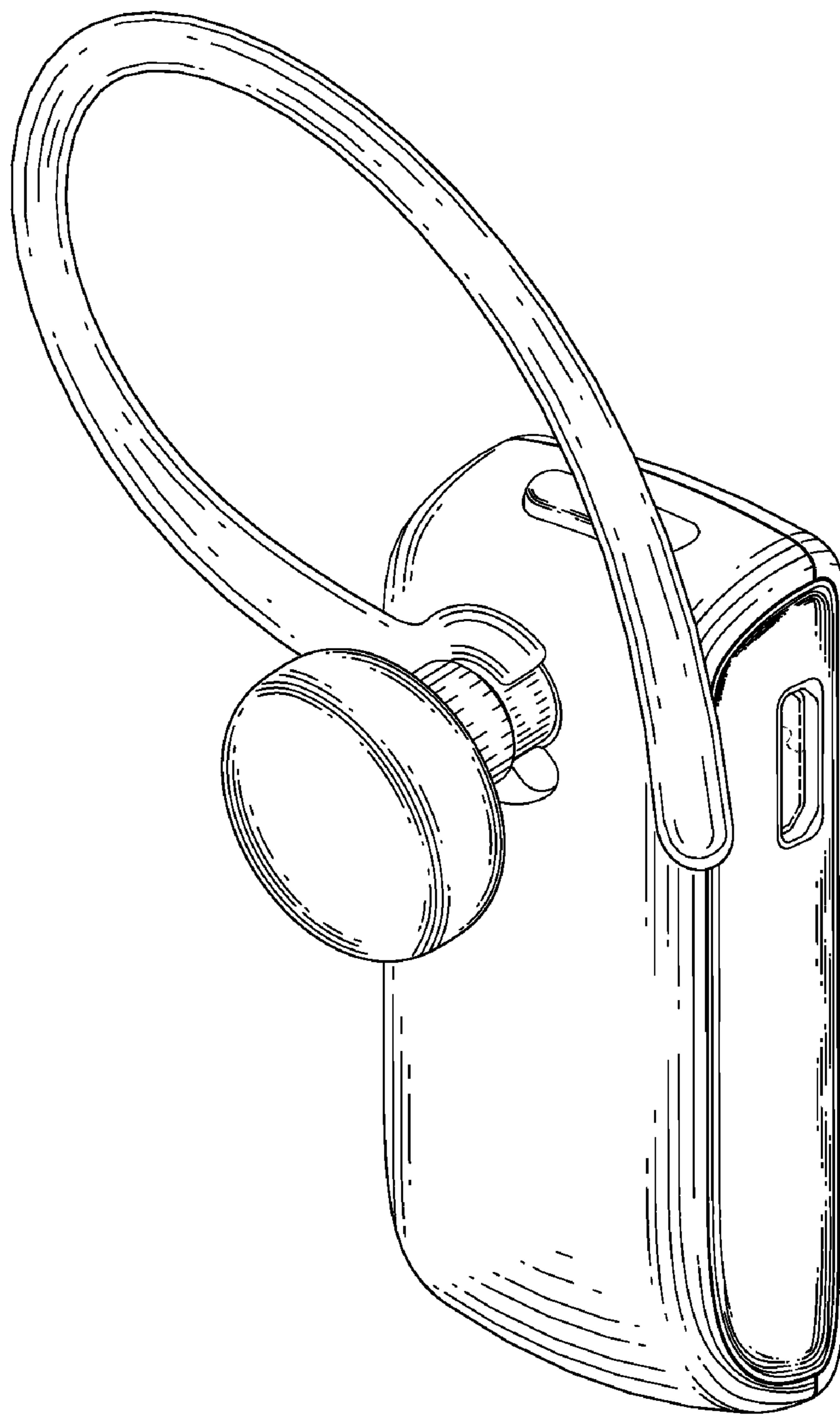


FIG. 8