



US00D622264S

(12) **United States Design Patent**
Kim et al.

(10) **Patent No.:** **US D622,264 S**

(45) **Date of Patent:** **** Aug. 24, 2010**

(54) **EARSET**

(75) Inventors: **Young-Soo Kim**, Goyang-si (KR);
Chol-Ho Hwang, Yongin-si (KR);
Chang-Hwan Hwang, Goyang-si (KR)

(73) Assignee: **Samsung Electronics Co., Ltd.**,
Suwon-Si (KR)

(**) Term: **14 Years**

(21) Appl. No.: **29/337,622**

(22) Filed: **May 27, 2009**

(30) **Foreign Application Priority Data**

Feb. 17, 2009 (KR) 30-2009-0006447

(51) **LOC (9) Cl.** **14-01**

(52) **U.S. Cl.** **D14/223**

(58) **Field of Classification Search** D14/205,
D14/206, 223, 225-229, 142, 188, 192; 181/129,
181/130; 379/430, 433; 381/380, 381, 376,
381/370, 377, 379, 385; D24/174; 455/575.1
See application file for complete search history.

(56) **References Cited**

U.S. PATENT DOCUMENTS

4,720,857 A * 1/1988 Burris et al. 379/430
5,748,743 A * 5/1998 Weeks 381/328
D433,005 S * 10/2000 McGugan D14/155
D448,359 S * 9/2001 Do et al. D14/223

D470,836 S * 2/2003 Amae et al. D14/223
D472,889 S * 4/2003 Tanaka et al. D14/206
D477,592 S * 7/2003 Komiyama D14/223
D477,593 S * 7/2003 Komiyama D14/223
D478,901 S * 8/2003 Rath et al. D14/223
D479,834 S * 9/2003 Salazar et al. D14/205
D485,548 S * 1/2004 Obata D14/223
D500,491 S * 1/2005 Eroma et al. D14/205
6,860,362 B2 * 3/2005 Saltykov 181/135
6,879,697 B2 * 4/2005 Tøpholm 381/322
D562,309 S * 2/2008 Choi et al. D14/223
D596,625 S * 7/2009 Tkachuk D14/223

* cited by examiner

Primary Examiner—Paula Greene

(74) *Attorney, Agent, or Firm*—Staas & Halsey LLP

(57) **CLAIM**

The ornamental design for a earset, as shown and described.

DESCRIPTION

FIG. 1 is a front perspective view of a earset;
FIG. 2 is a front view of the earset of FIG. 1;
FIG. 3 is a rear view of the earset of FIG. 1;
FIG. 4 is a left-side view of the earset of FIG. 1;
FIG. 5 is a right-side view of the earset of FIG. 1;
FIG. 6 is a top plan view of the earset of FIG. 1; and,
FIG. 7 is a bottom plan view of the earset of FIG. 1.

1 Claim, 4 Drawing Sheets

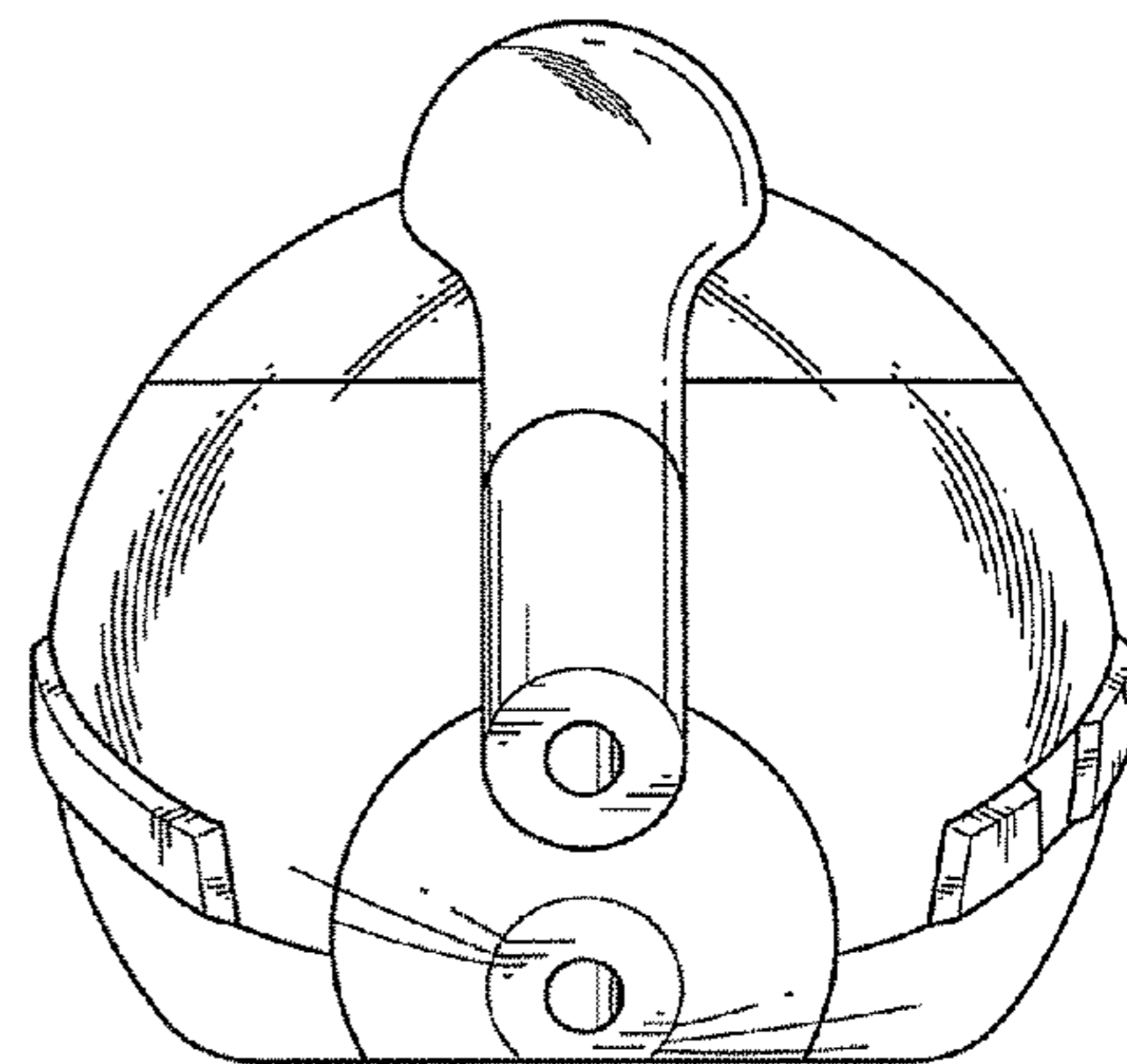
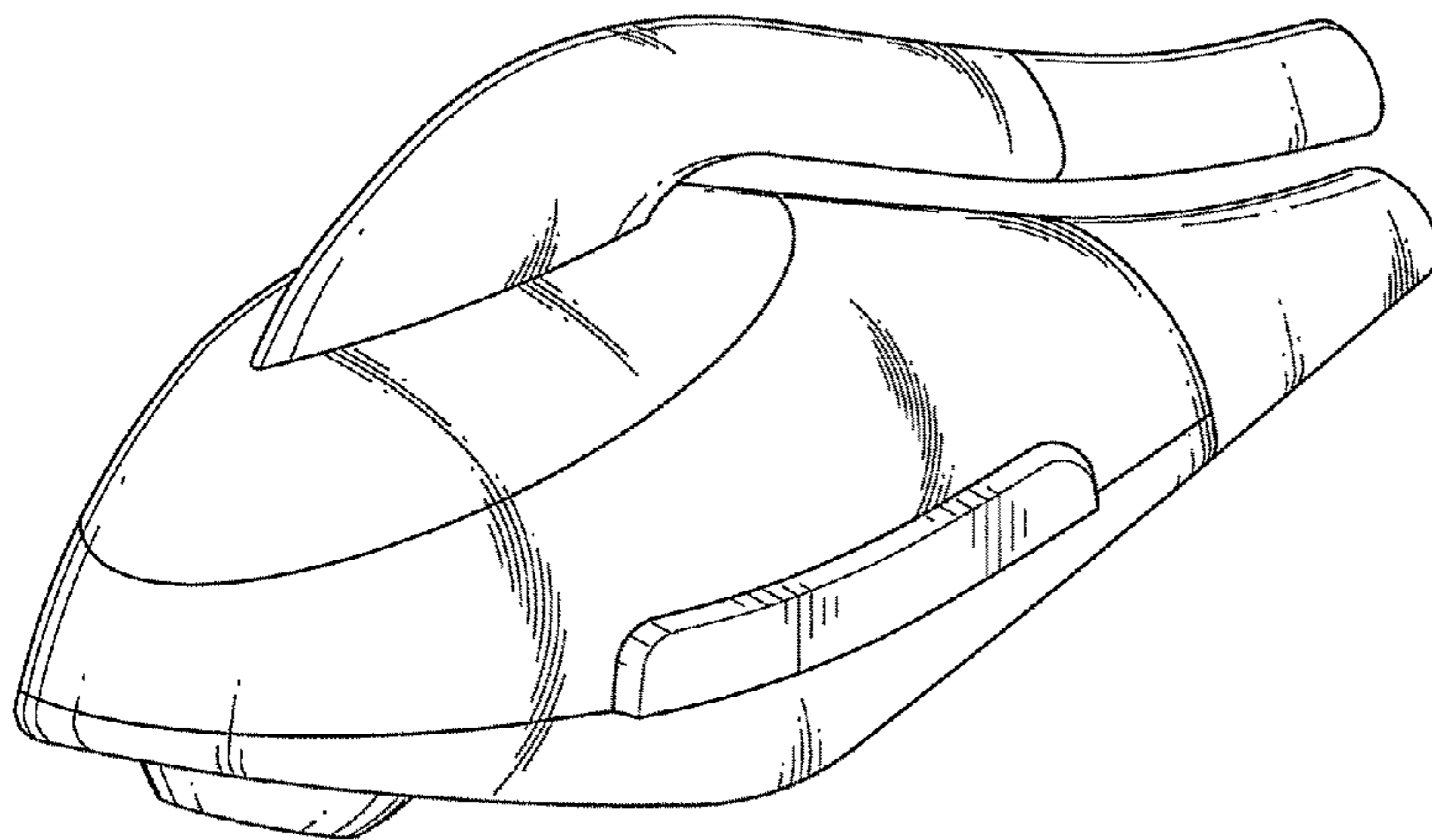


FIG. 1

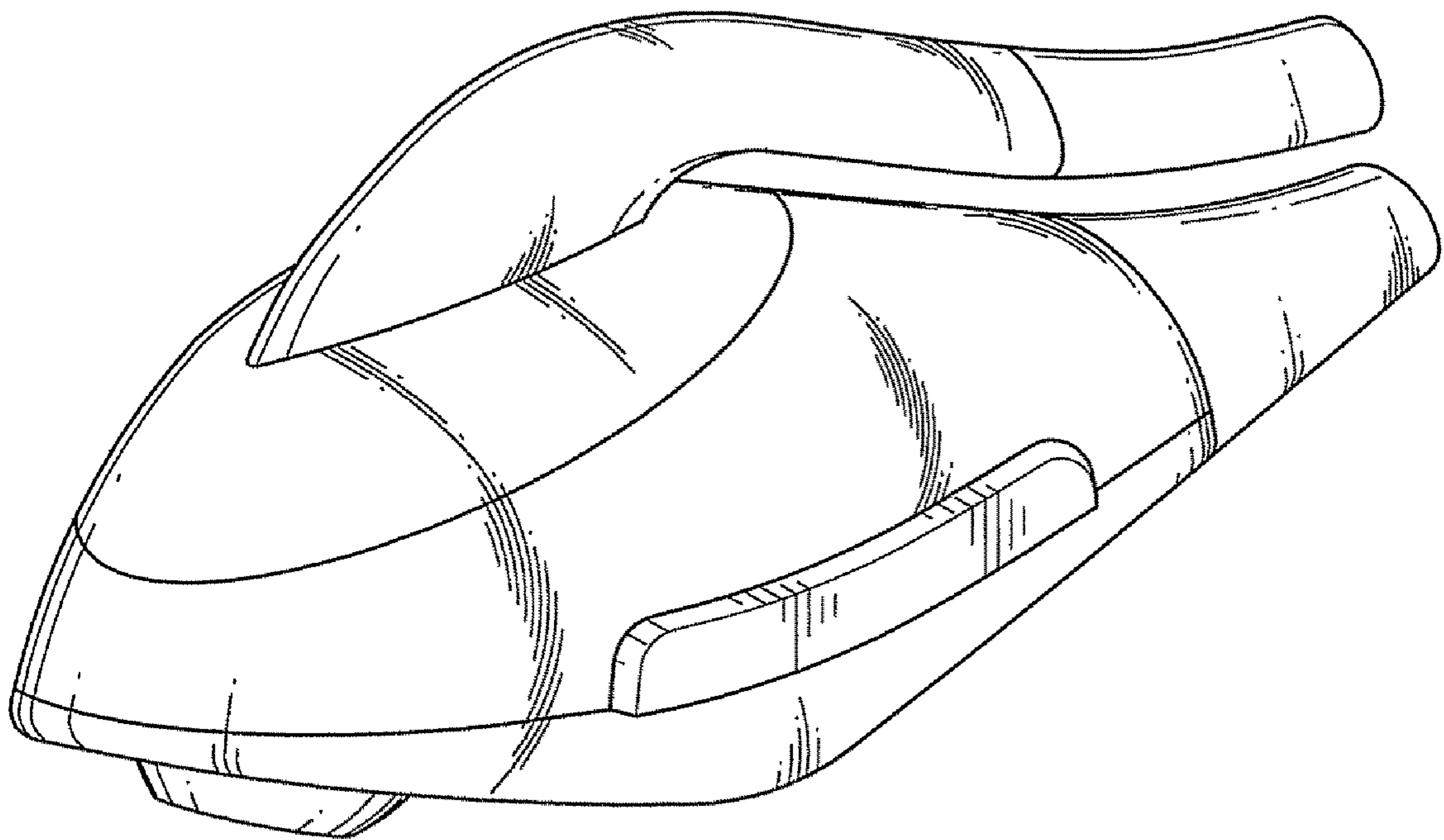


FIG. 2

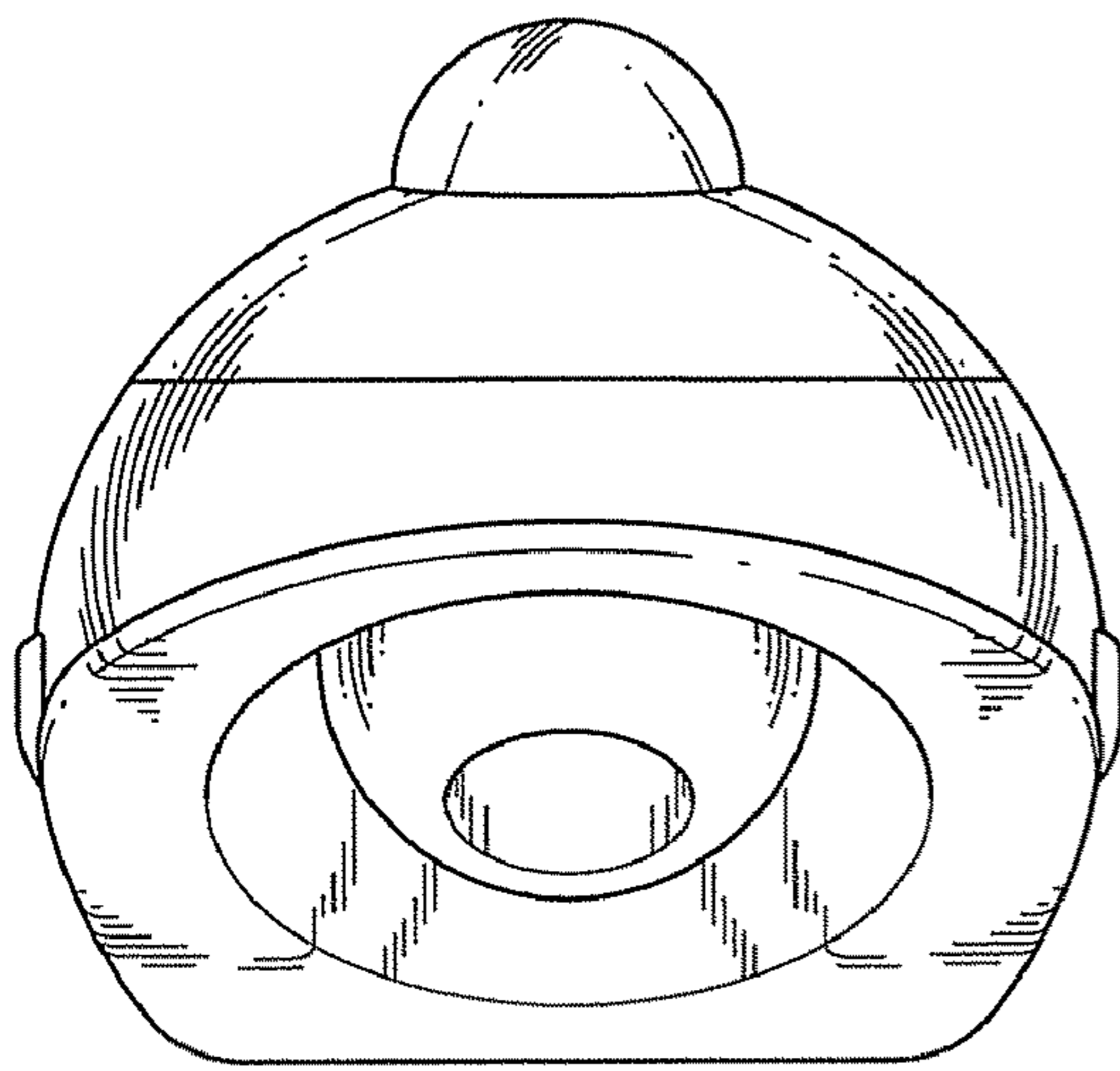


FIG. 3

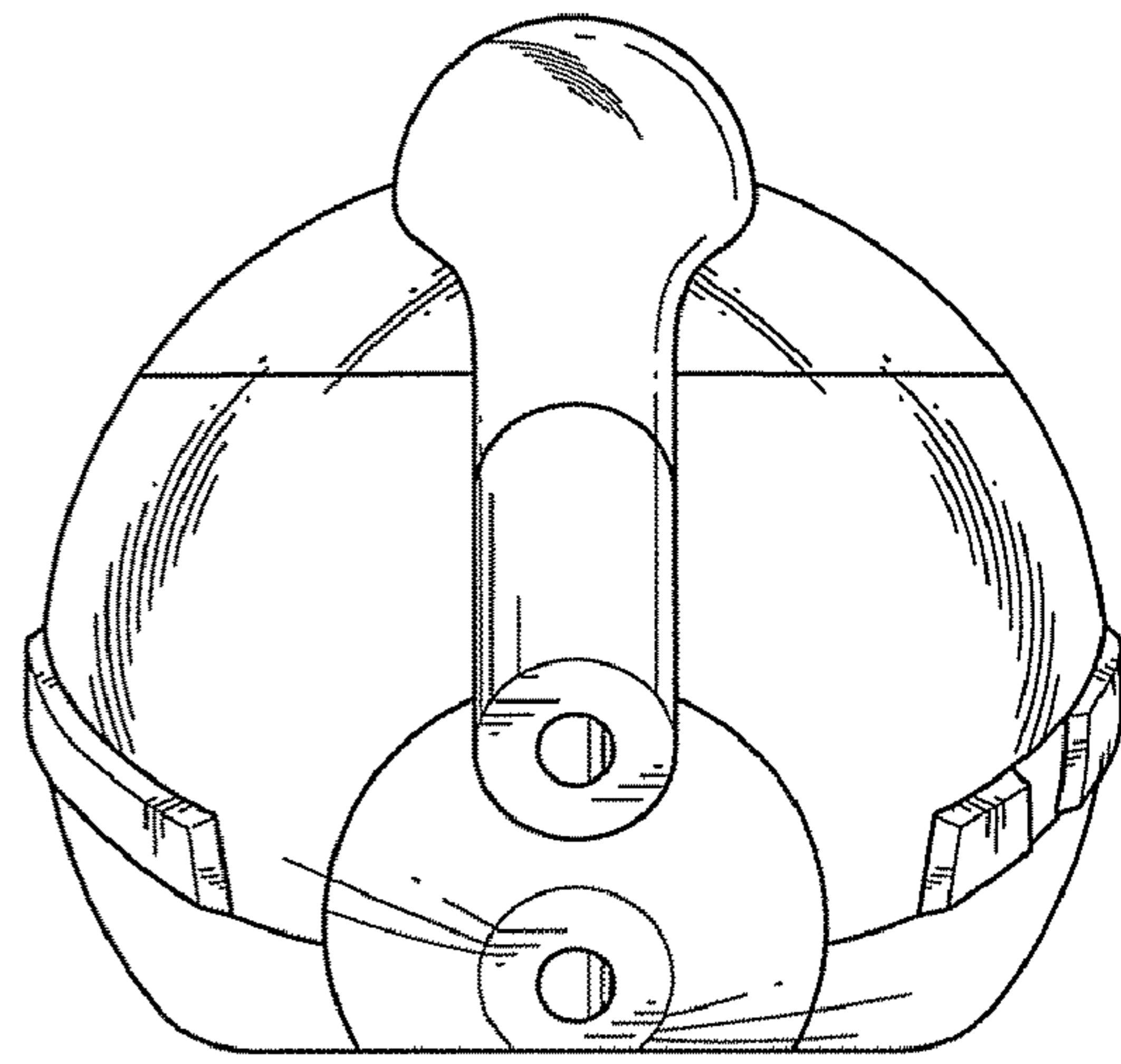


FIG. 4

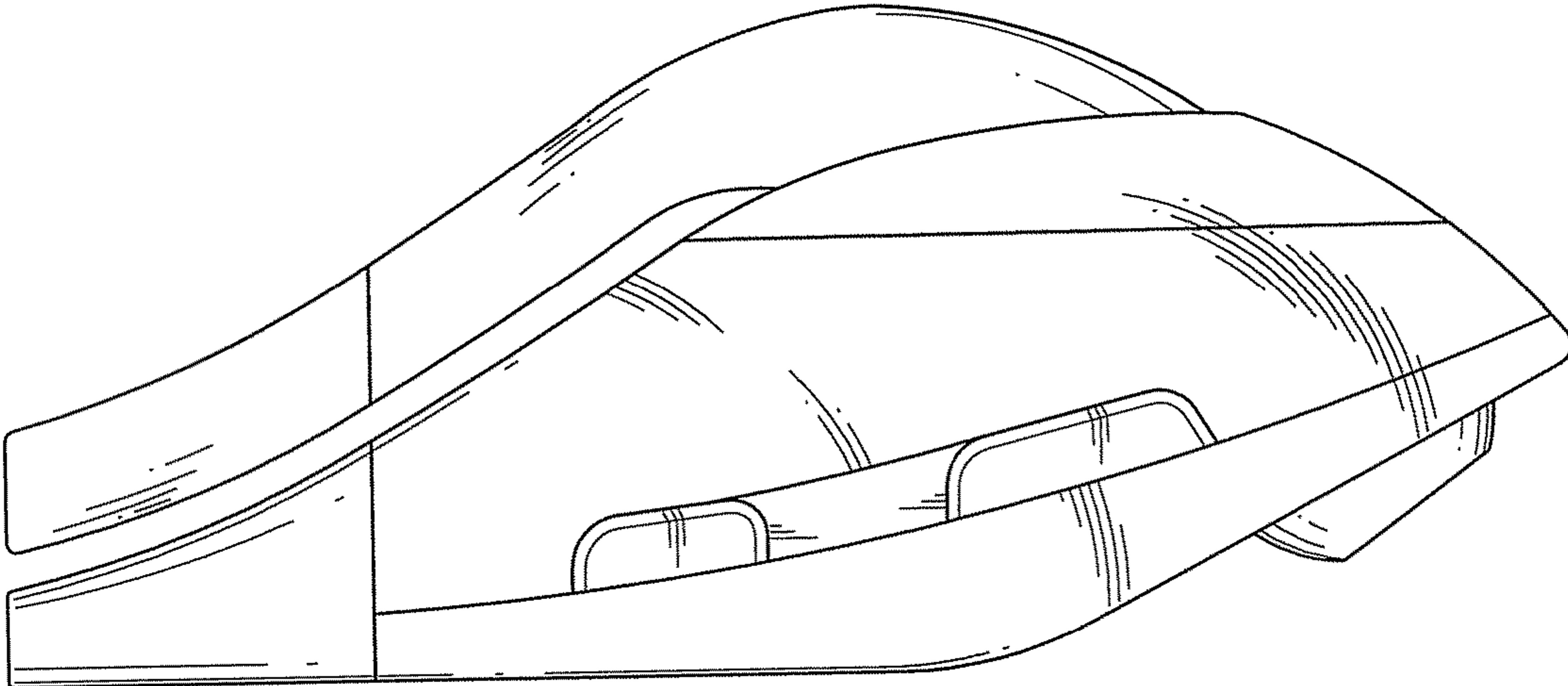


FIG. 5

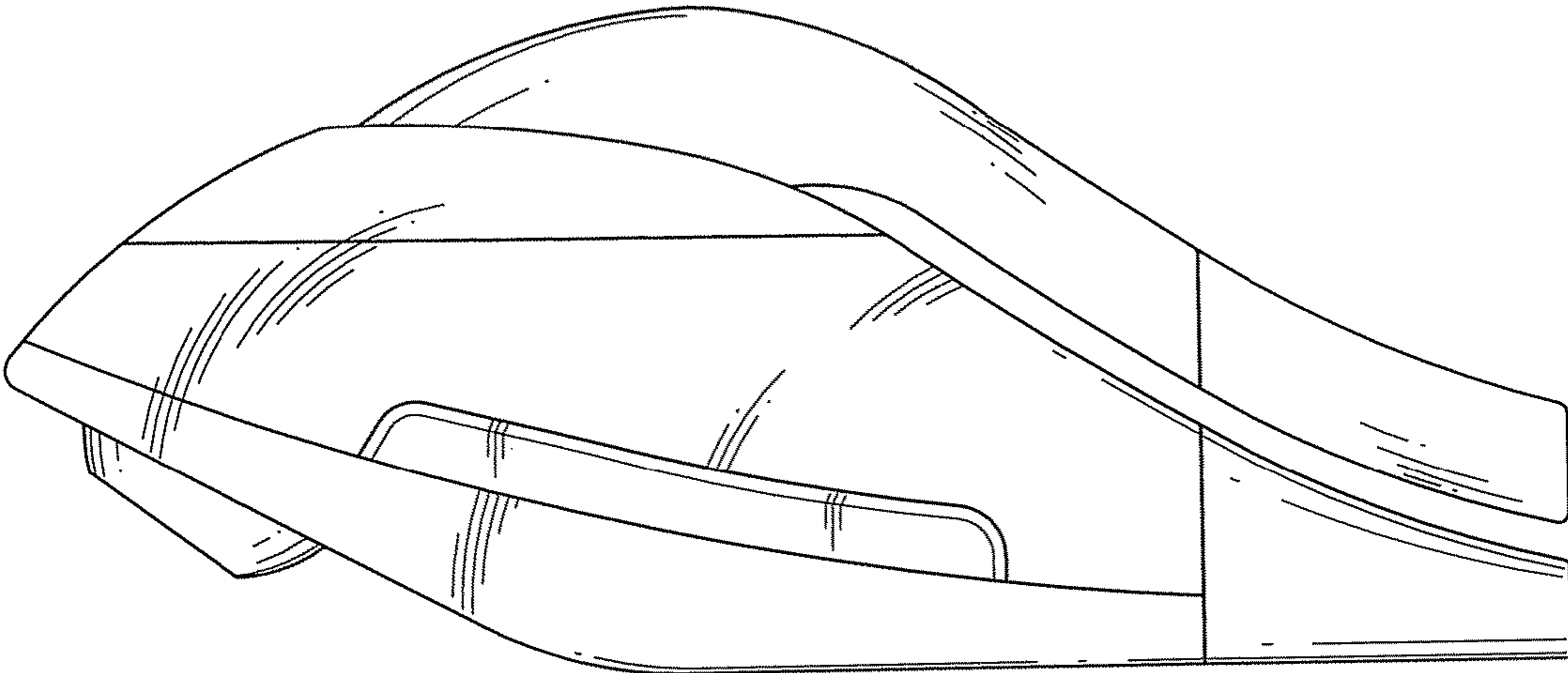


FIG. 6

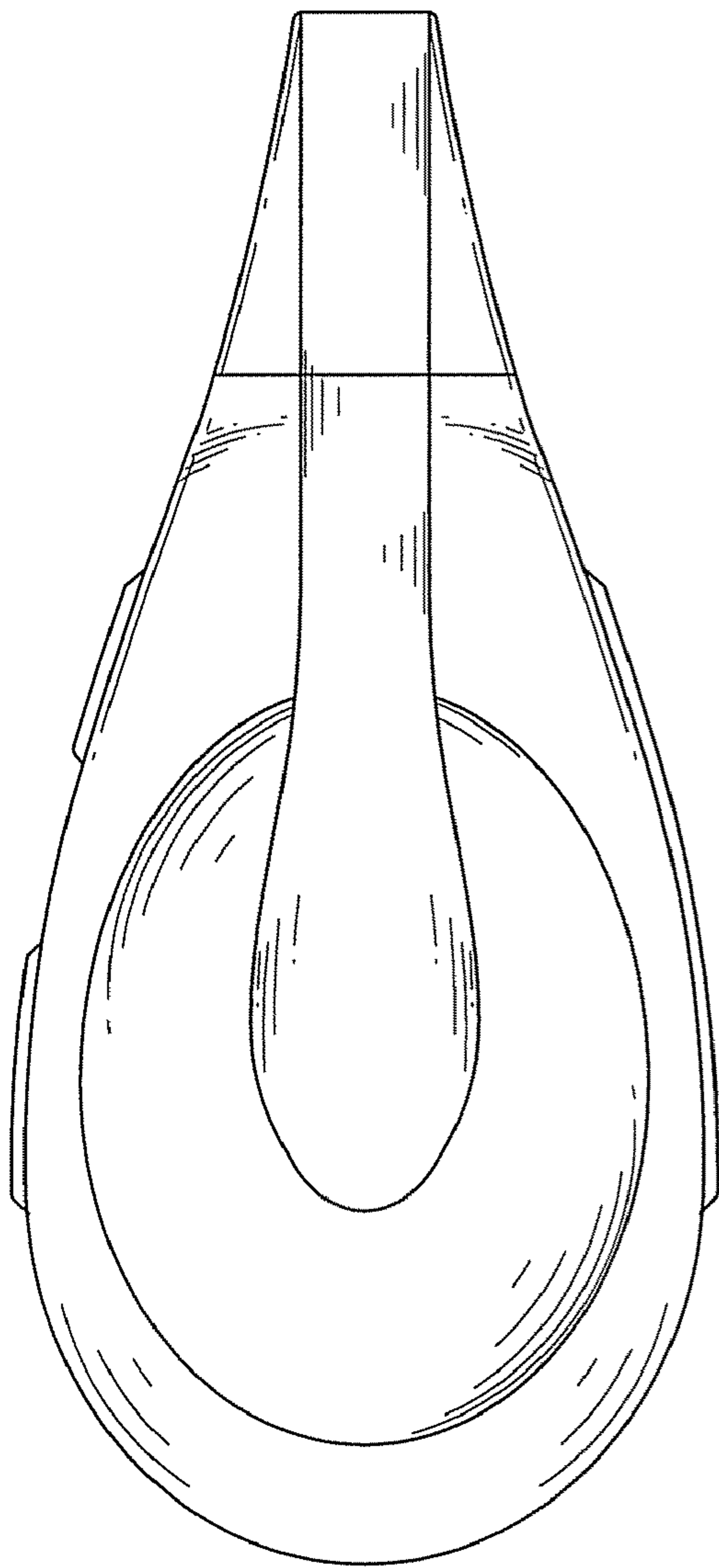


FIG. 7

