



US00D622259S

(12) **United States Design Patent**  
**Joseph et al.**

(10) **Patent No.:** **US D622,259 S**

(45) **Date of Patent:** **\*\* Aug. 24, 2010**

(54) **WIRELESS ENABLED DIGITAL MEDIA DOCKING CLOCK RADIO**

(75) Inventors: **Brian Joseph**, Brooklyn, NY (US);  
**Andrew Skurdal**, Jersey City, NJ (US)

(73) Assignee: **SDI Technologies, Inc.**, Rahway, NJ (US)

(\*\*) Term: **14 Years**

(21) Appl. No.: **29/350,020**

(22) Filed: **Nov. 10, 2009**

(51) **LOC (9) Cl.** ..... **14-03**

(52) **U.S. Cl.** ..... **D14/171; D10/2**

(58) **Field of Classification Search** ..... D14/137,  
D14/155, 168, 170, 171, 188, 189, 193–198,  
D14/203.1–203.8, 204, 208–209.1, 210, 212,  
D14/214, 217, 496; D10/2; 312/7.1; 369/6–12;  
370/342–344; 455/90.1–90.3, 344–355  
See application file for complete search history.

(56) **References Cited**

**U.S. PATENT DOCUMENTS**

D241,771 S	*	10/1976	Yamamura	.....	D14/171
D245,909 S	*	9/1977	Kawano	.....	D14/171
D250,763 S	*	1/1979	Boldt et al.	.....	D14/171
D261,765 S	*	11/1981	Mishiro et al.	.....	D14/171
D261,766 S	*	11/1981	Miyanaga et al.	.....	D14/171
D330,553 S	*	10/1992	Hino	.....	D14/171
D554,622 S	*	11/2007	Joseph	.....	D14/217
D577,709 S	*	9/2008	Skurdal	.....	D14/171
D583,358 S	*	12/2008	Joseph	.....	D14/171

D600,251 S \* 9/2009 Poandl ..... D14/496

\* cited by examiner

*Primary Examiner*—Stella M Reid

*Assistant Examiner*—Keli L Hill

(74) *Attorney, Agent, or Firm*—Ostrolenk Faber LLP

(57) **CLAIM**

The ornamental design for a wireless enabled digital media docking clock radio, as shown and described.

**DESCRIPTION**

FIG. 1 is a top, front, side, perspective view of a wireless enabled digital media docking clock radio showing my new design;

FIG. 2 is a bottom, rear, side, perspective view thereof;

FIG. 3 is a front view thereof;

FIG. 4 is a rear view thereof;

FIG. 5 is a top view thereof;

FIG. 6 is a bottom view thereof;

FIG. 7 is a side view thereof, the opposite side view being a mirror image;

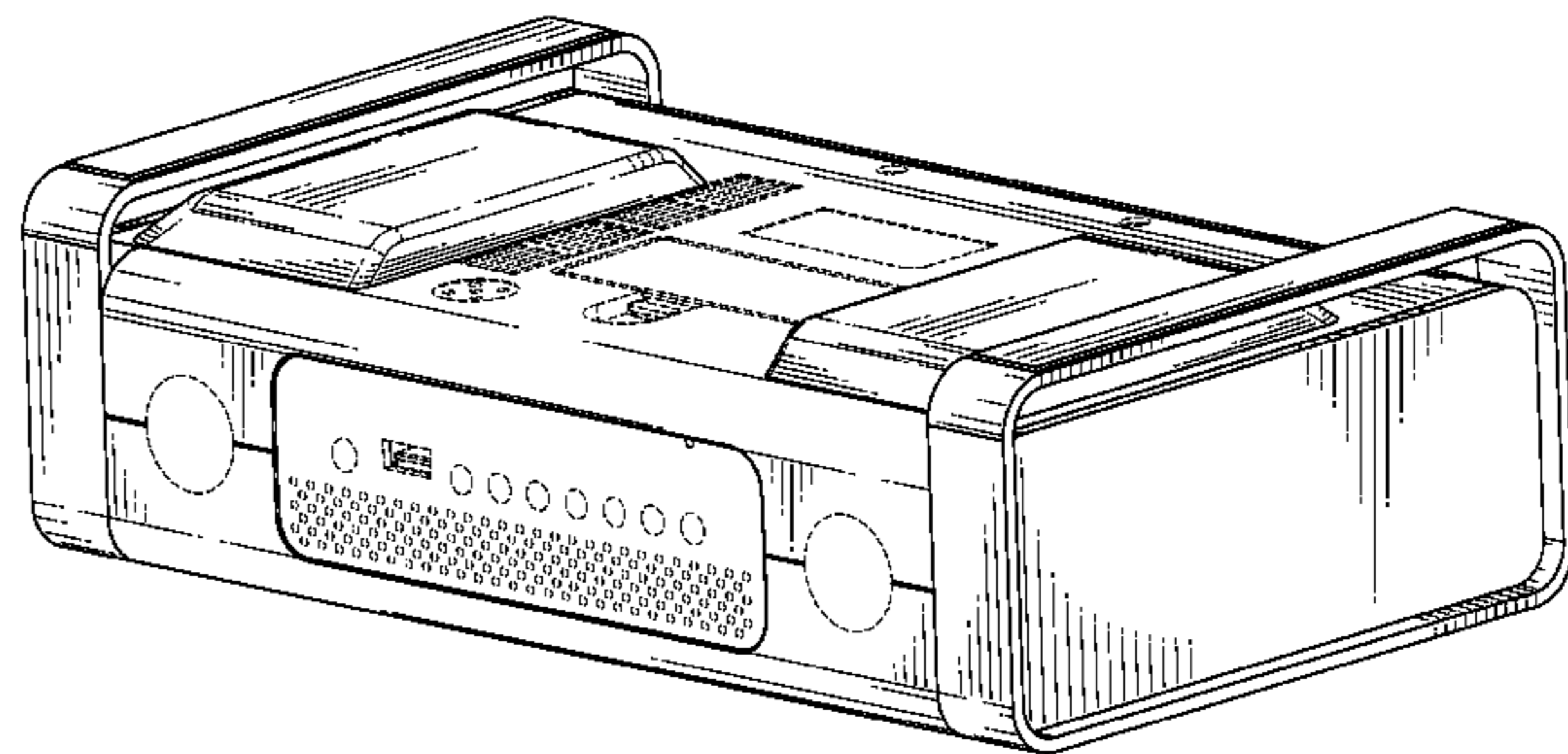
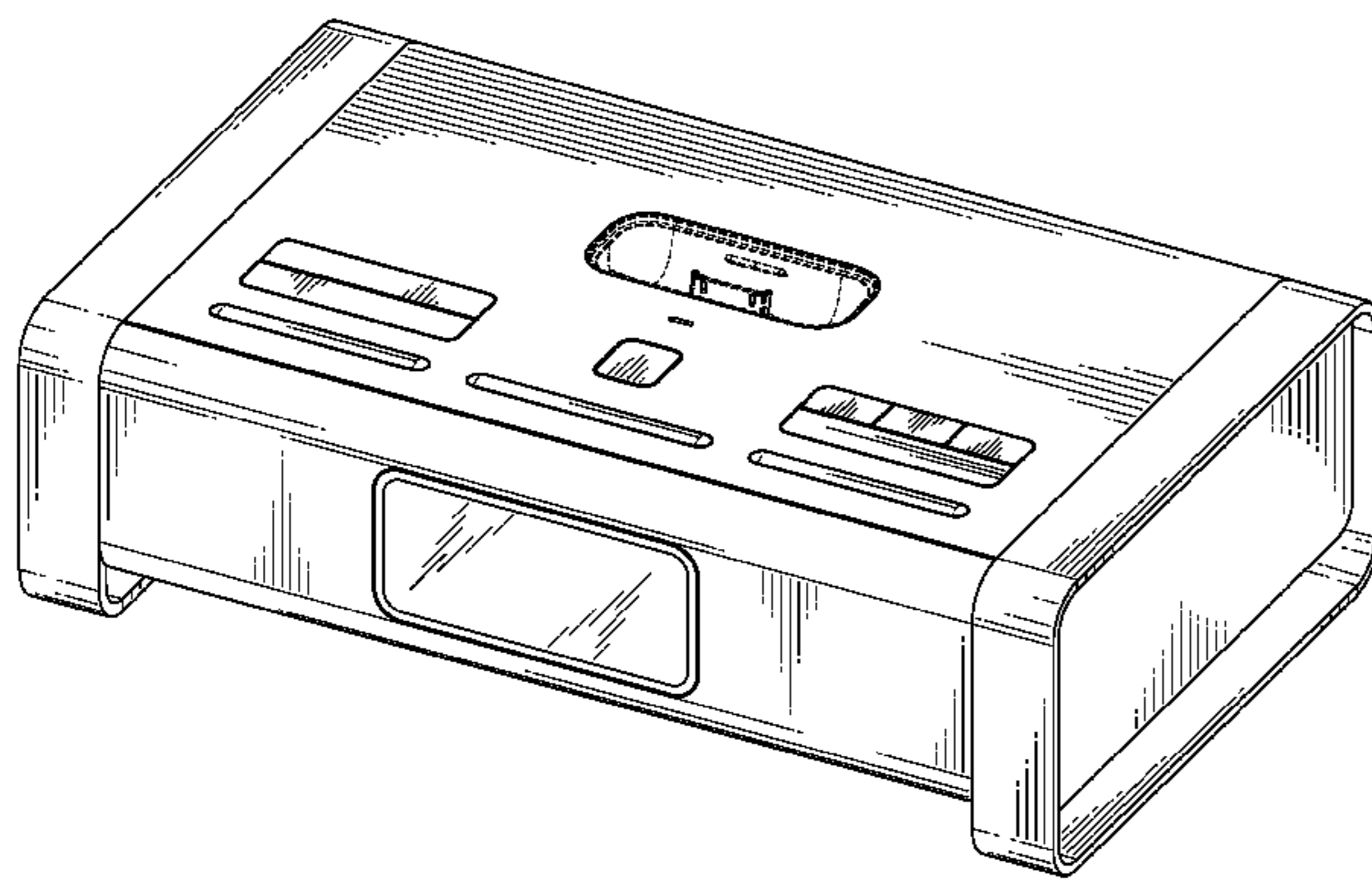
FIG. 8 is a cross sectional view along the line 8—8 in FIG. 3;

FIG. 9 is a cross sectional view along the line 9—9 in FIG. 5; and,

FIG. 10 is a cross sectional view along the line 10—10 in FIG. 5.

The broken lines in the drawings illustrate environmental material that forms no part of the claimed design.

**1 Claim, 10 Drawing Sheets**



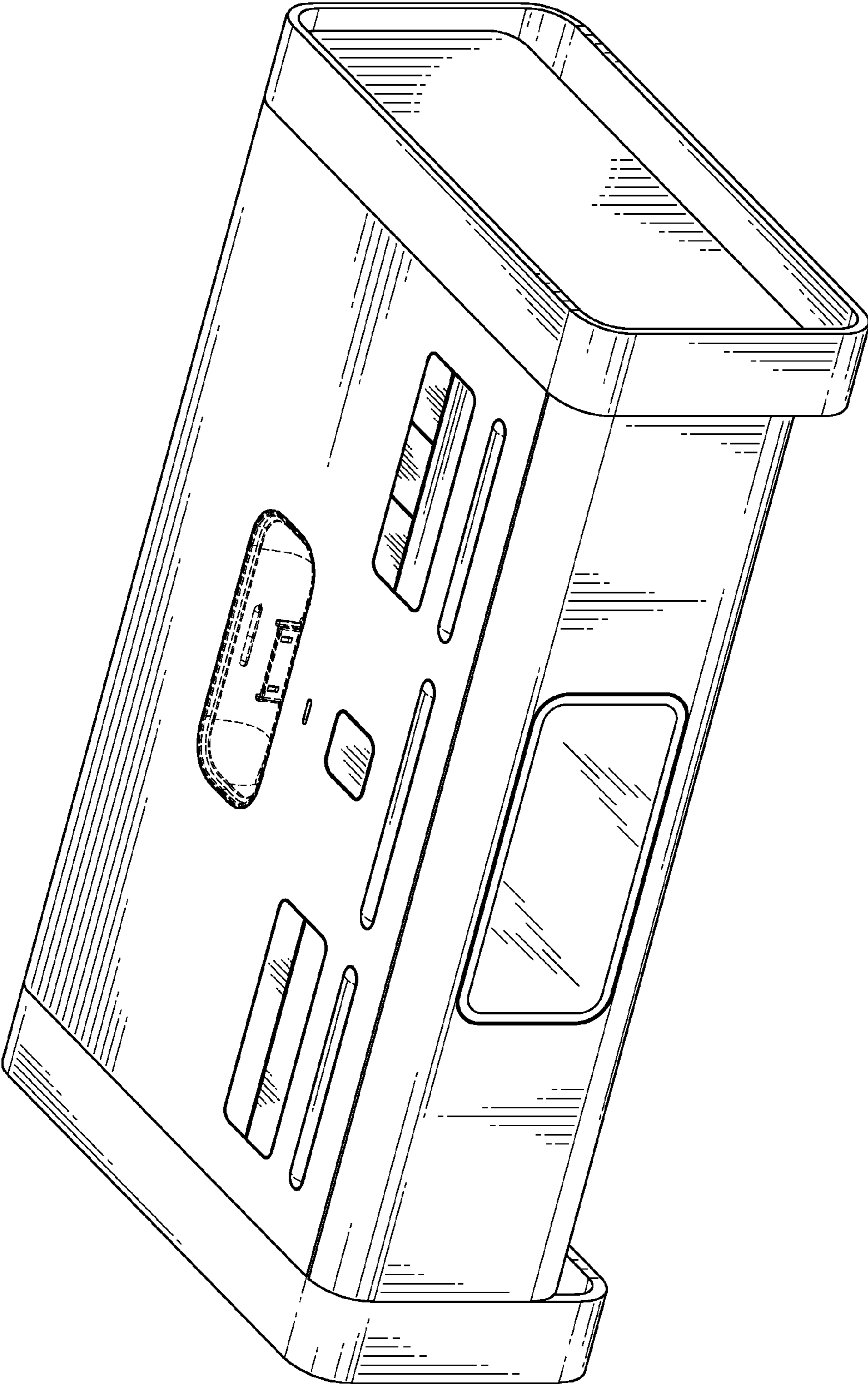


FIG. 1

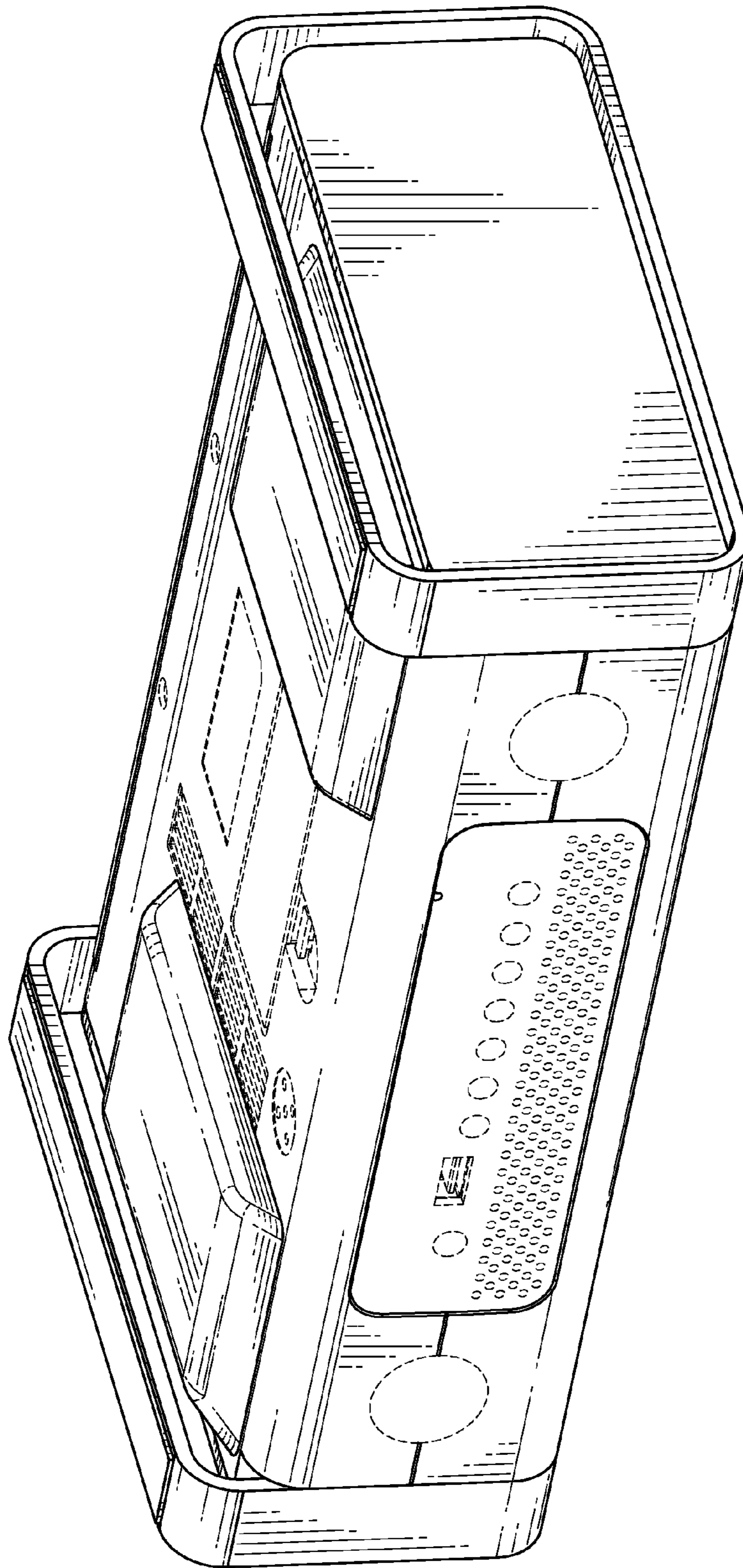


FIG. 2

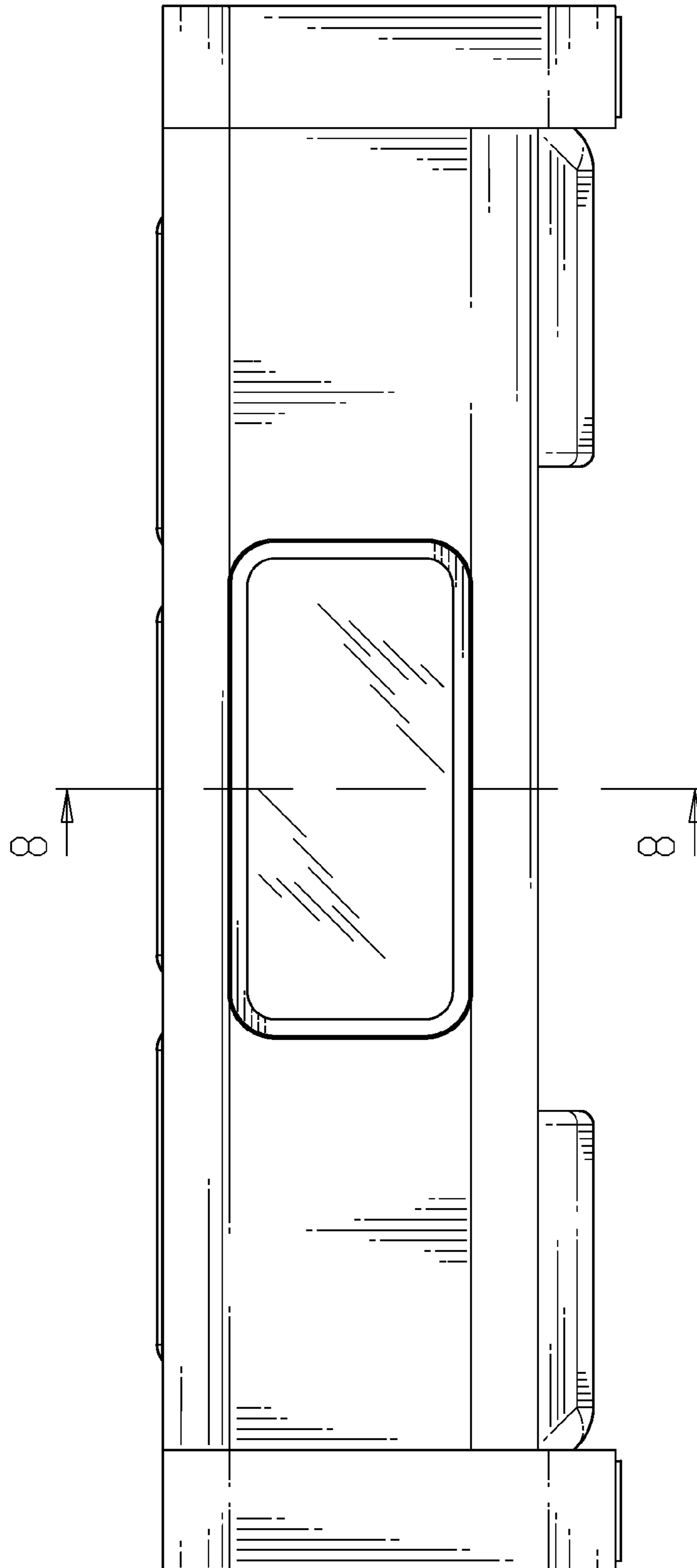


FIG. 3

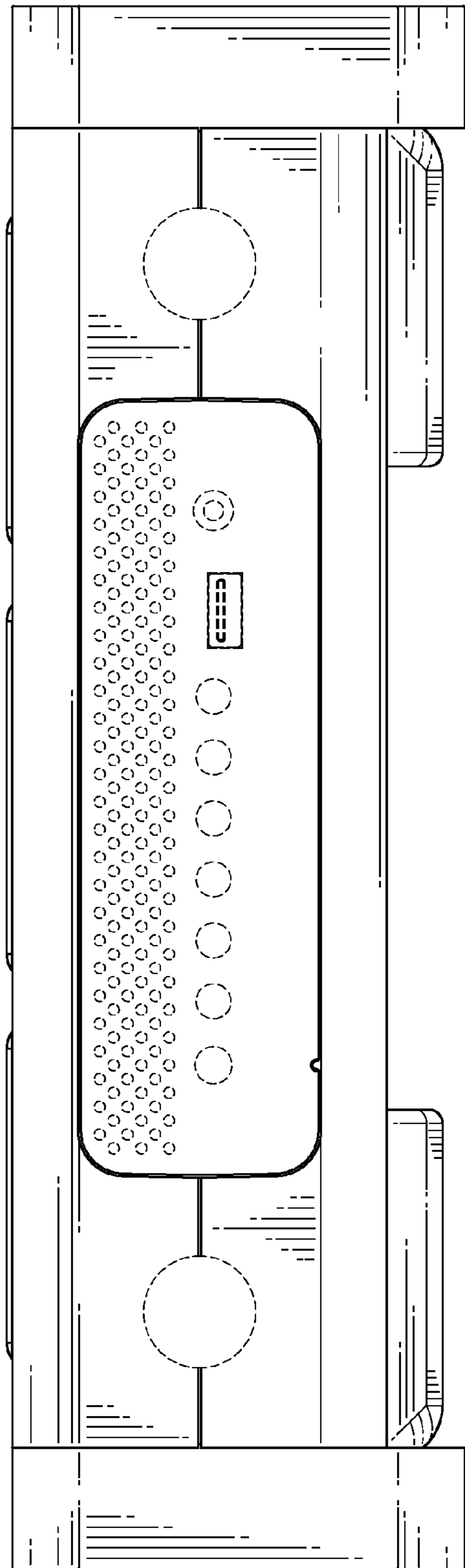


FIG. 4

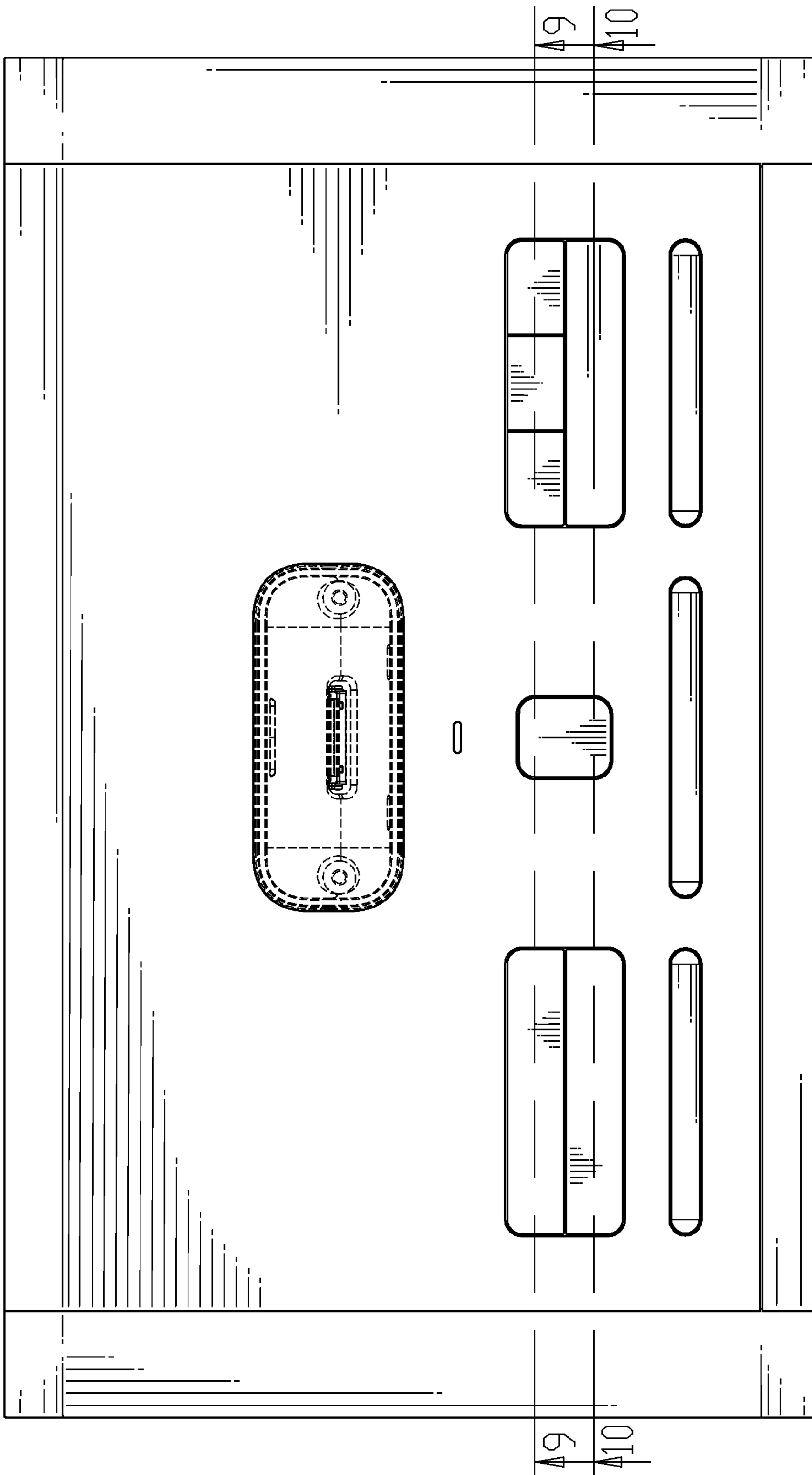


FIG. 5

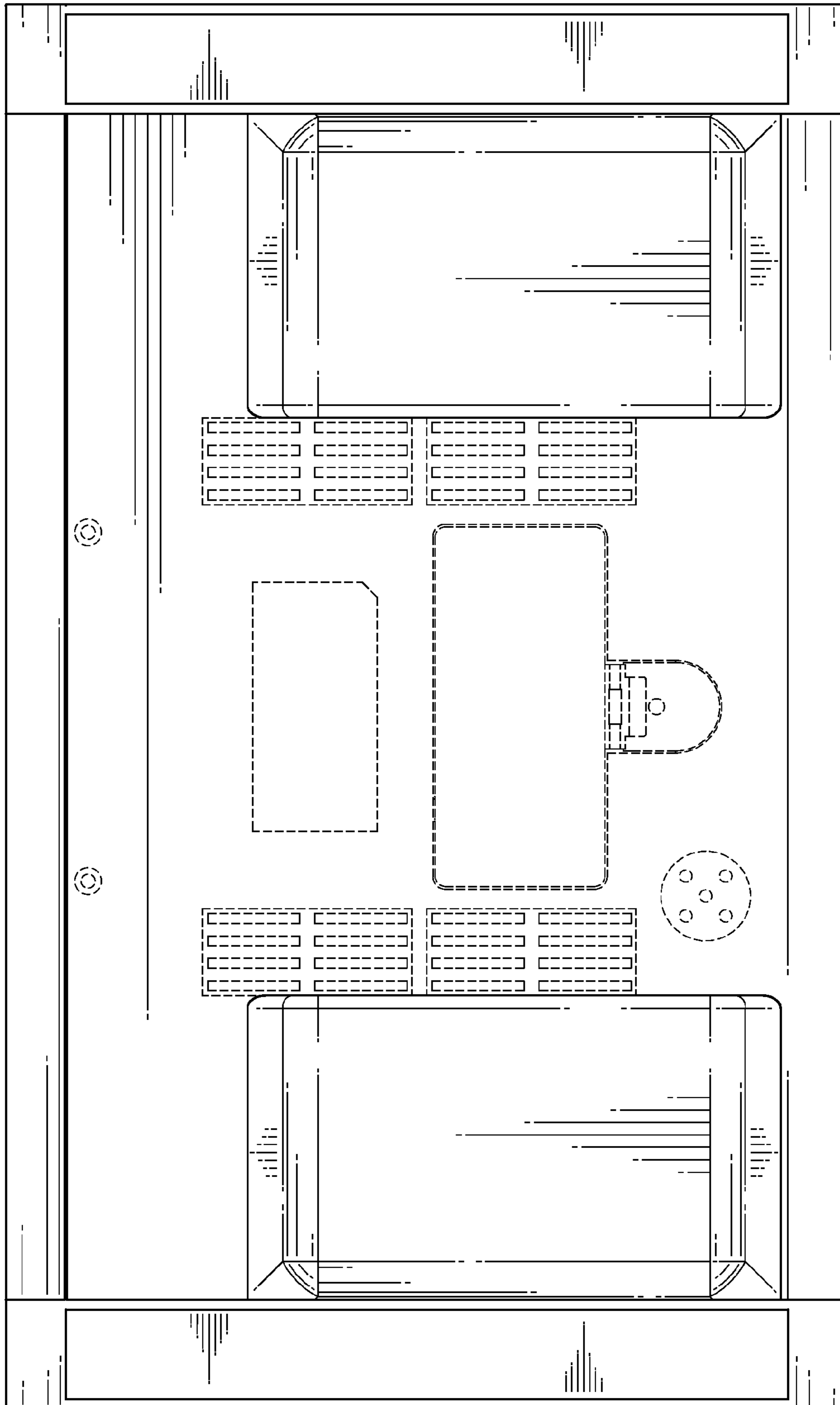


FIG. 6

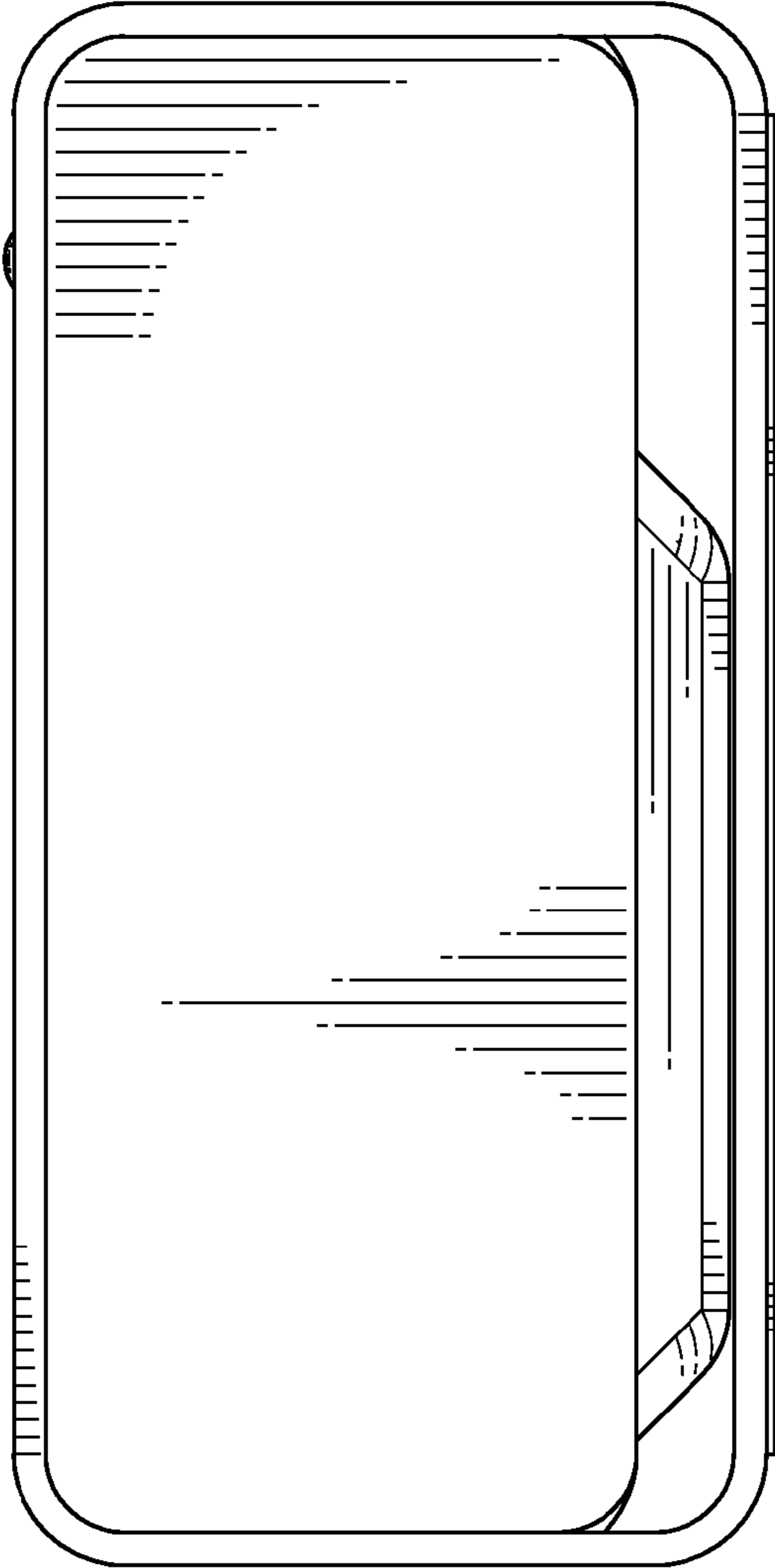


FIG. 7



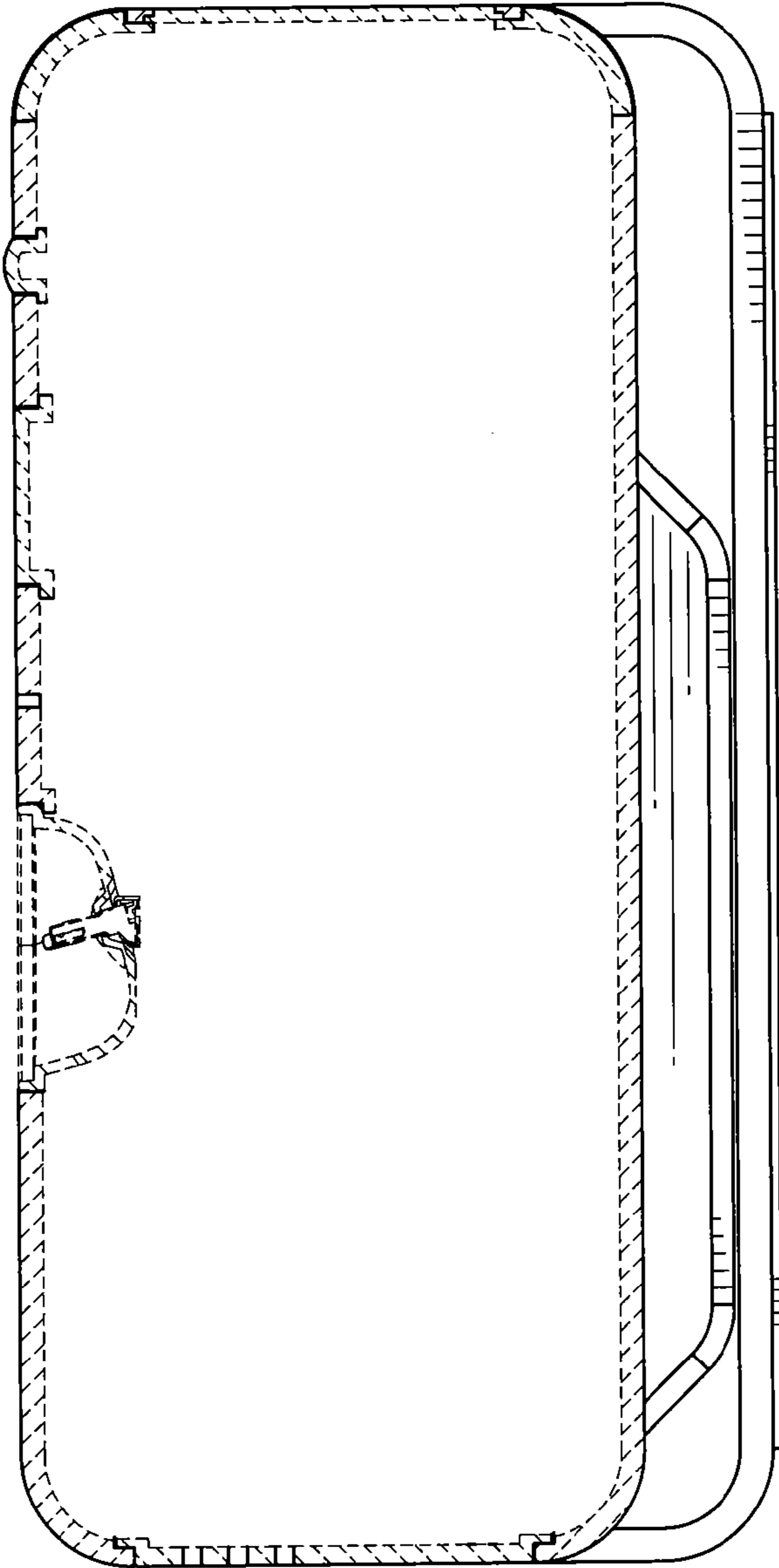


FIG. 8

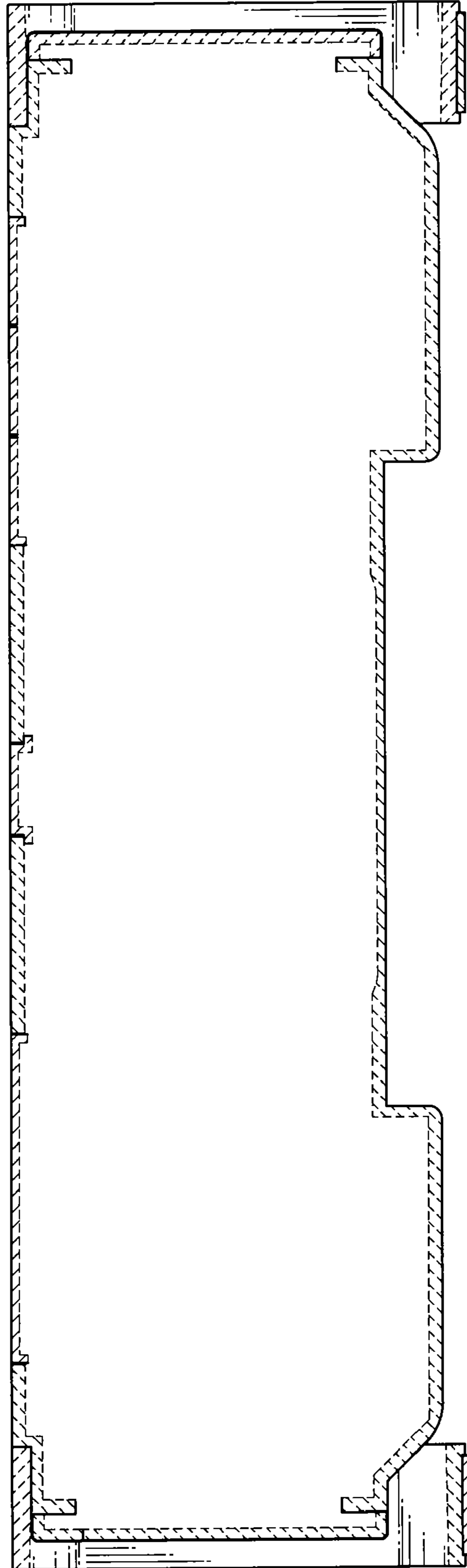


FIG. 9

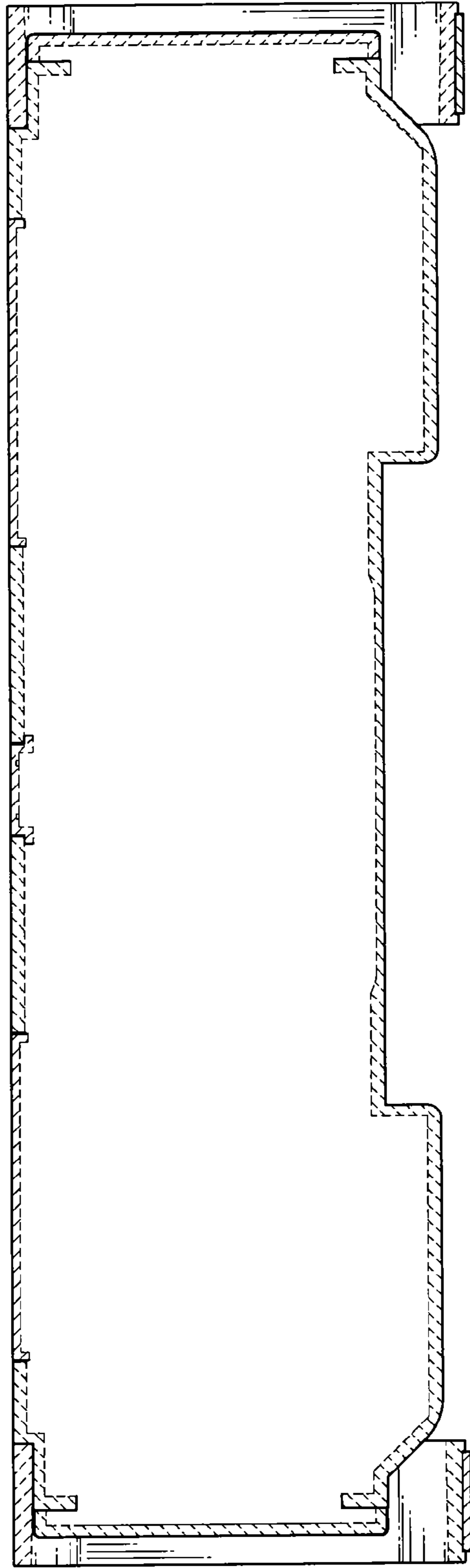


FIG. 10