



US00D622256S

(12) **United States Design Patent**
Lockenwitz

(10) **Patent No.:** **US D622,256 S**

(45) **Date of Patent:** **** Aug. 24, 2010**

(54) **WIRELESS COMMUNICATION DEVICE**

(75) Inventor: **Christian Lockenwitz**, Copenhagen (DK)

(73) Assignee: **Oticon A/S**, Smorum (DK)

(**) Term: **14 Years**

(21) Appl. No.: **29/340,979**

(22) Filed: **Jul. 29, 2009**

(30) **Foreign Application Priority Data**

Feb. 6, 2009 (EM) 001084180-0001

(51) **LOC (9) Cl.** **14-03**

(52) **U.S. Cl.** **D14/155**

(58) **Field of Classification Search** D14/155,
D14/253, 240, 217, 188, 171, 149, 140.11,
D14/434; D13/107; D10/106; 343/702,
343/718, 788; 381/58, 312-315; 455/78;
D24/174

See application file for complete search history.

(56) **References Cited**

U.S. PATENT DOCUMENTS

D318,660 S * 7/1991 Weber D14/140.11
D325,578 S * 4/1992 Daido et al. D14/155
D329,221 S * 9/1992 Khoo D13/107
D340,455 S * 10/1993 Christian D14/217
D372,435 S * 8/1996 Bellomo et al. D10/106

D376,330 S * 12/1996 Bellomo et al. D10/106
D385,562 S * 10/1997 Nijima et al. D14/188
D401,580 S * 11/1998 Goto D14/155
D438,199 S * 2/2001 Arpe D14/240
D460,431 S * 7/2002 Narita D14/149
D512,418 S * 12/2005 Sarasjoki D14/253
D534,152 S * 12/2006 Griffin D14/167
D561,166 S * 2/2008 Skurdal D14/171
D564,098 S * 3/2008 Lockenwitz D24/174
D566,098 S * 4/2008 Suzuki D14/171
D603,834 S * 11/2009 Lyman et al. D14/155

* cited by examiner

Primary Examiner—Austin Murphy

(74) *Attorney, Agent, or Firm*—Birch, Stewart, Kolasch & Birch, LLP

(57) **CLAIM**

The ornamental design for a wireless communication device, as substantially shown and described.

DESCRIPTION

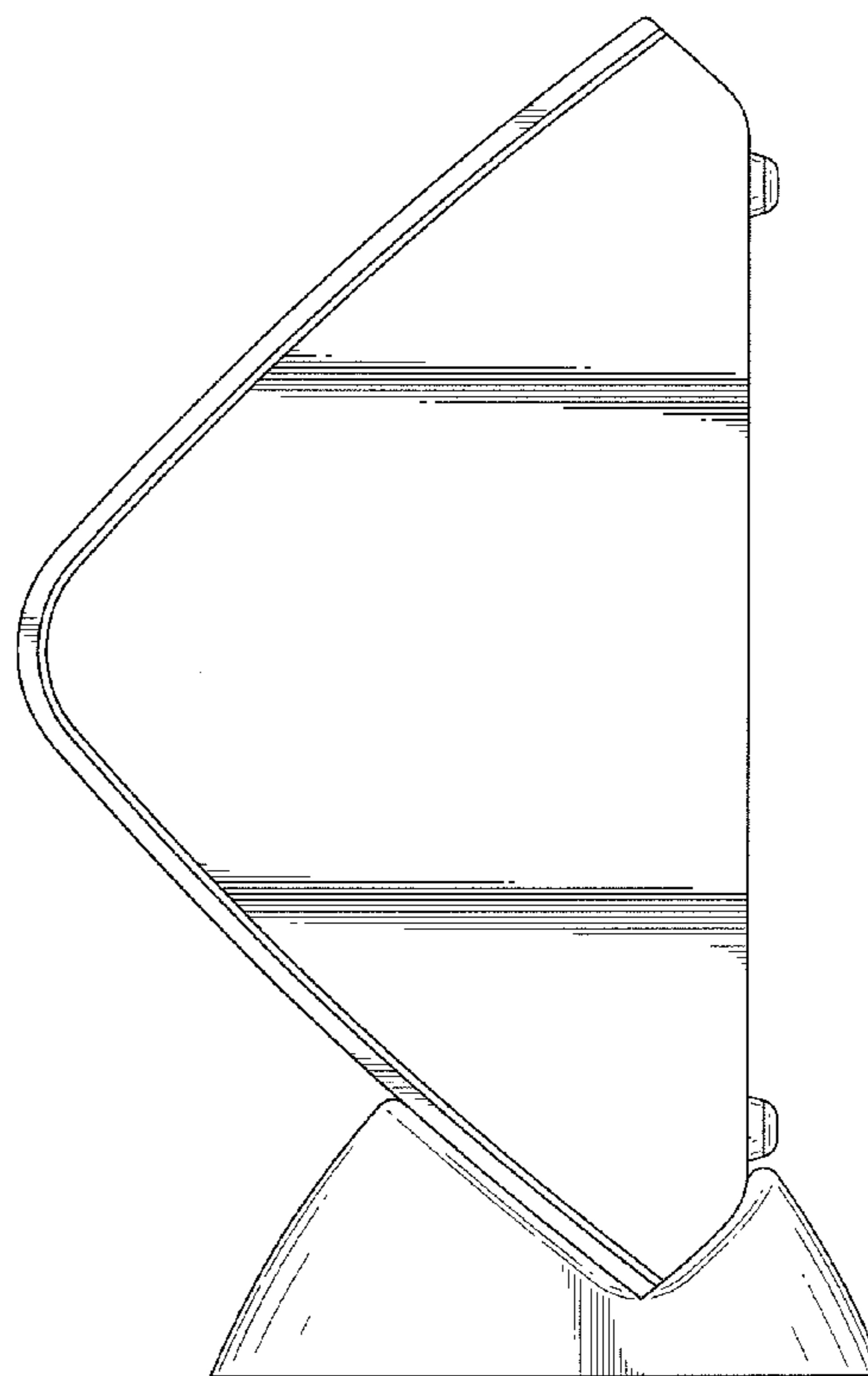
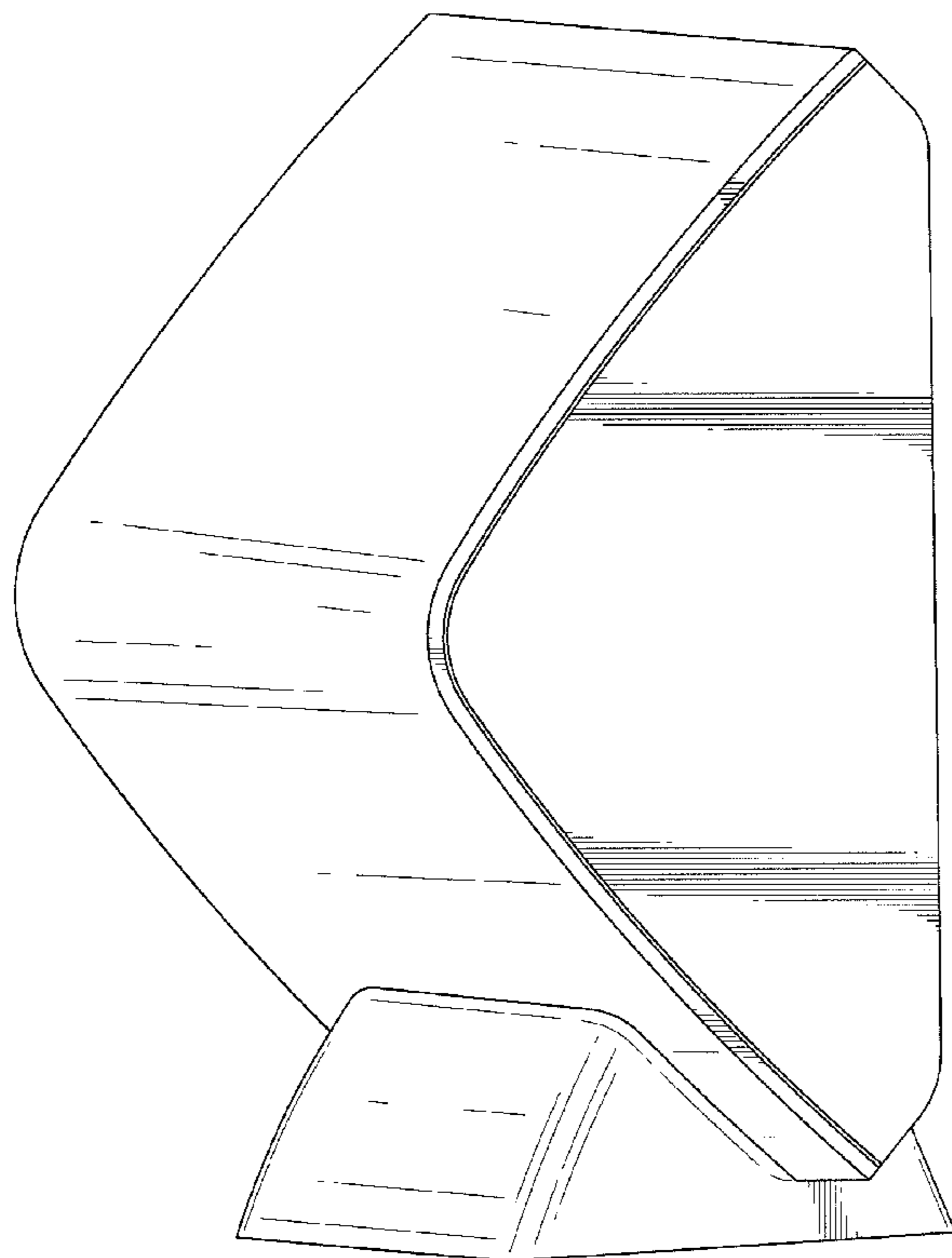
FIG. 1 is a front perspective view of the wireless communication device;

FIG. 2 is a rear perspective view of the wireless communication device;

FIG. 3 is a side view of the wireless communication device; and,

FIG. 4 is a front view of the wireless communication device.

1 Claim, 4 Drawing Sheets



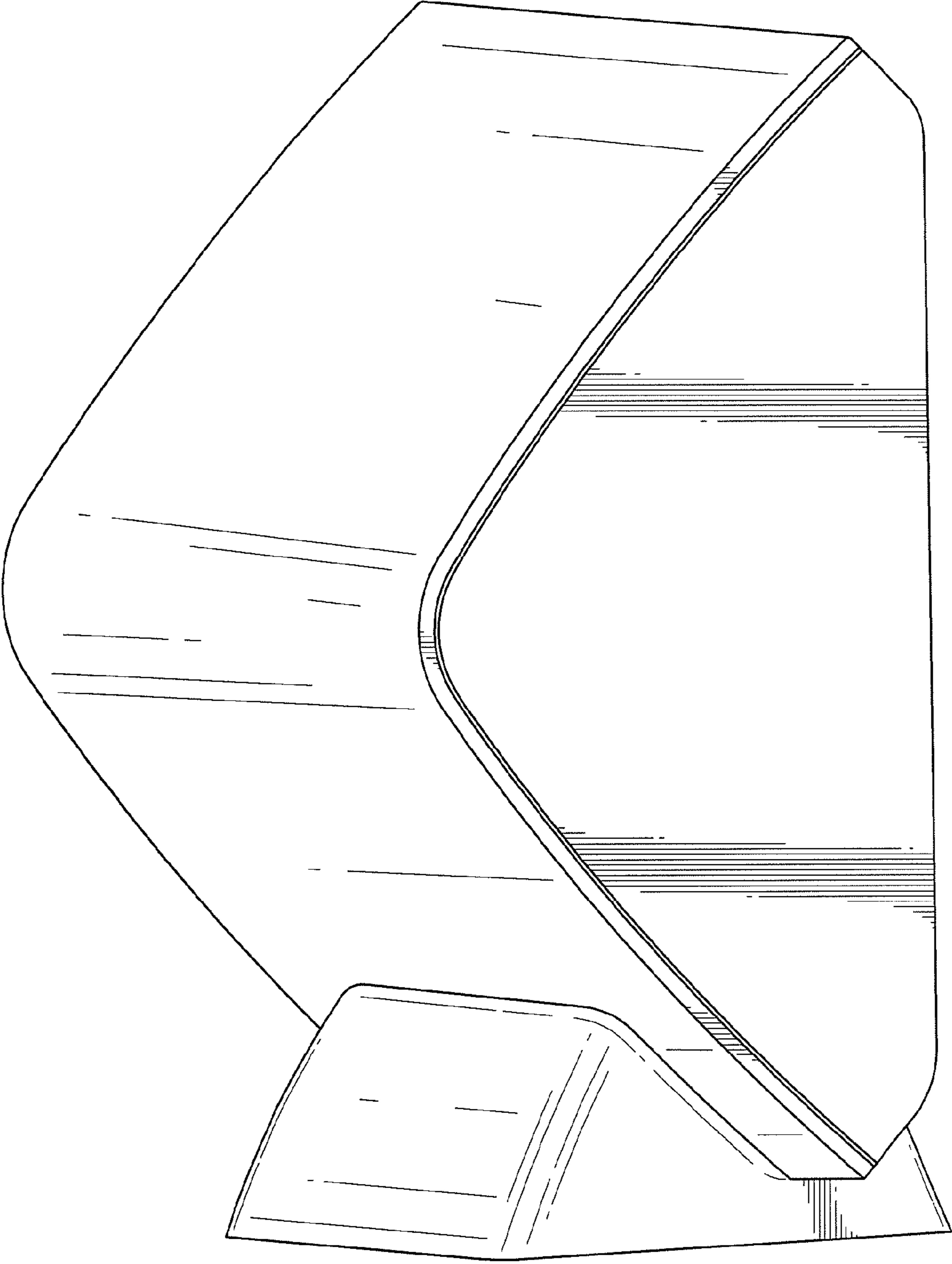


FIG. 1

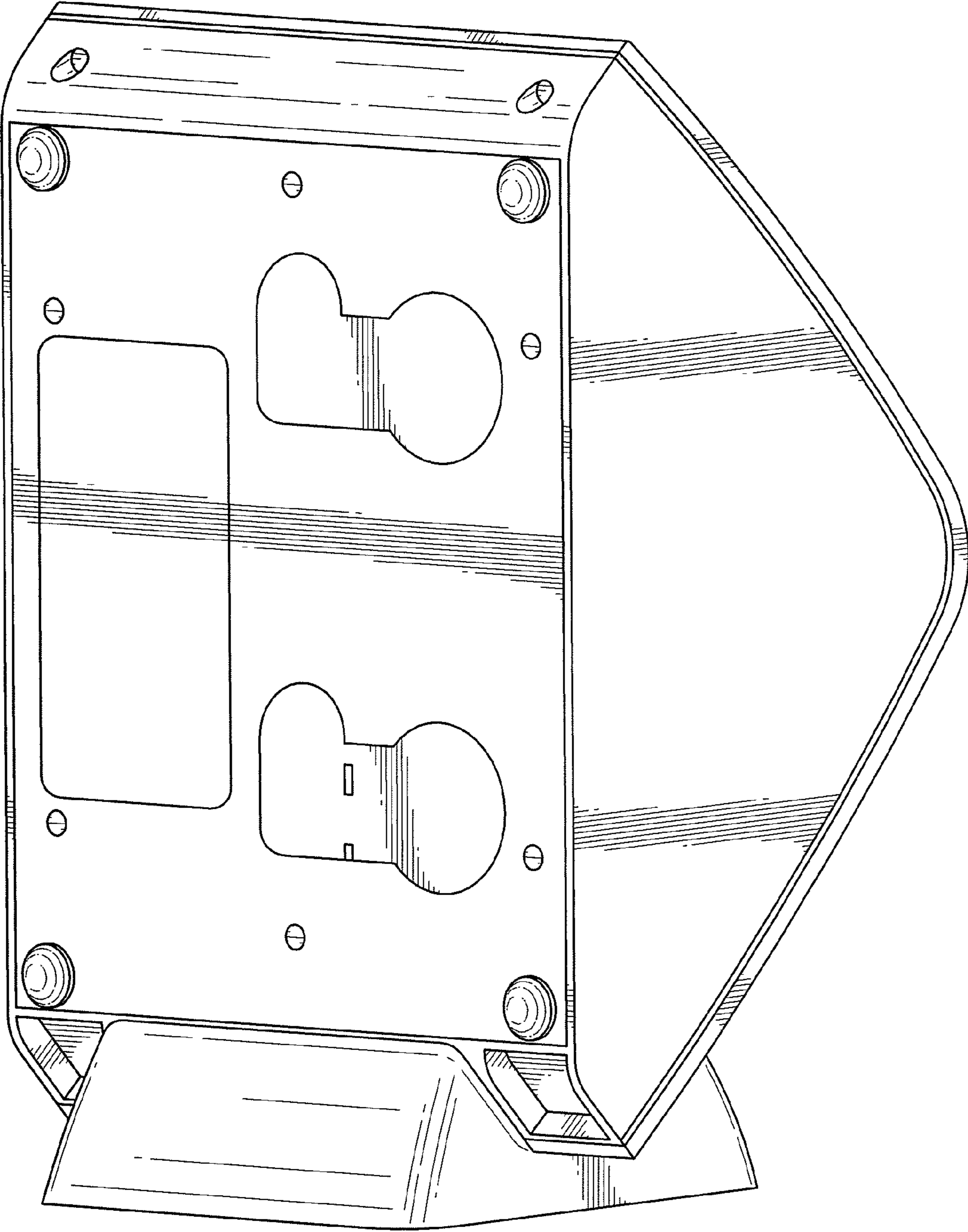


FIG.2

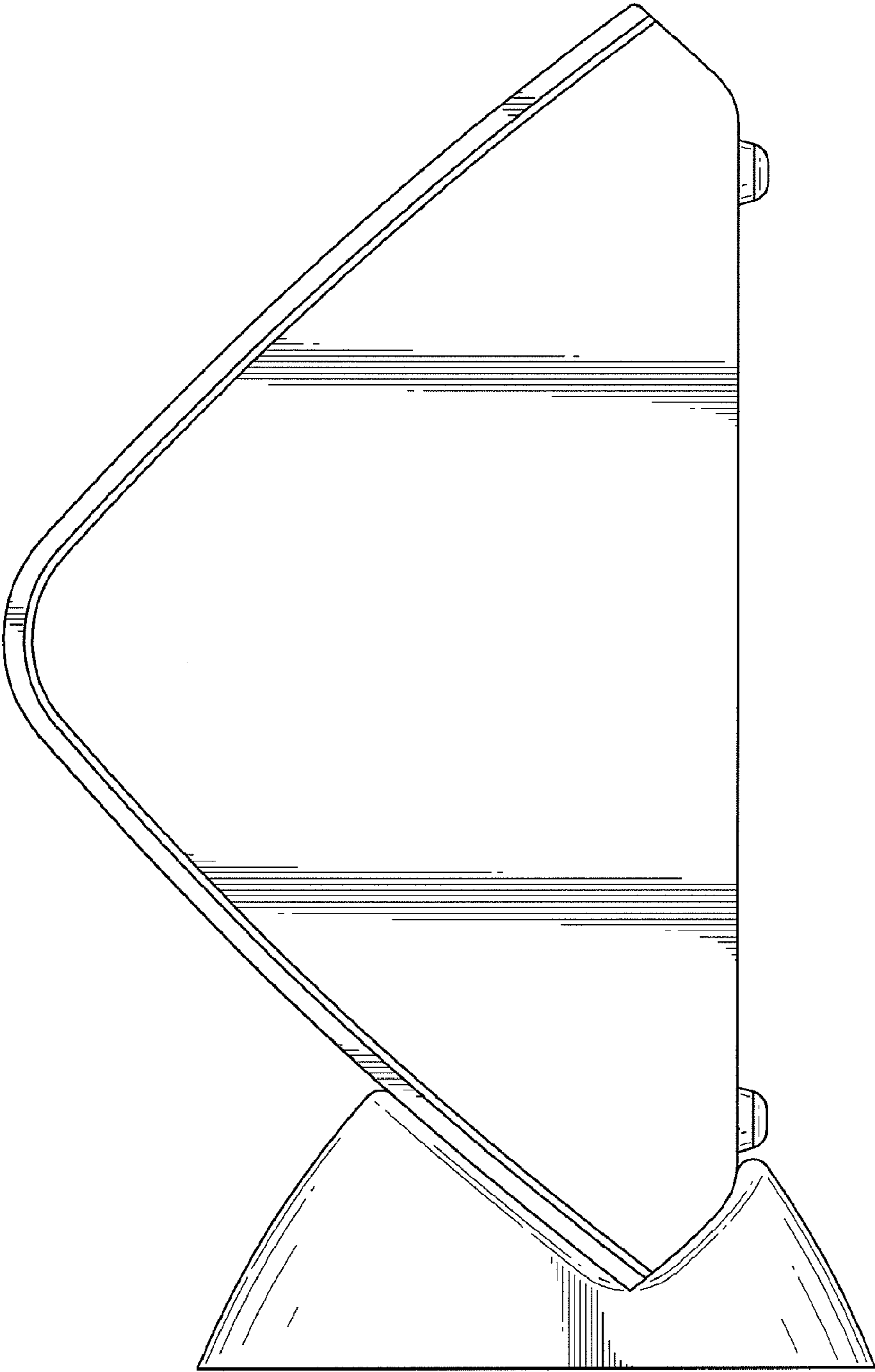


FIG.3

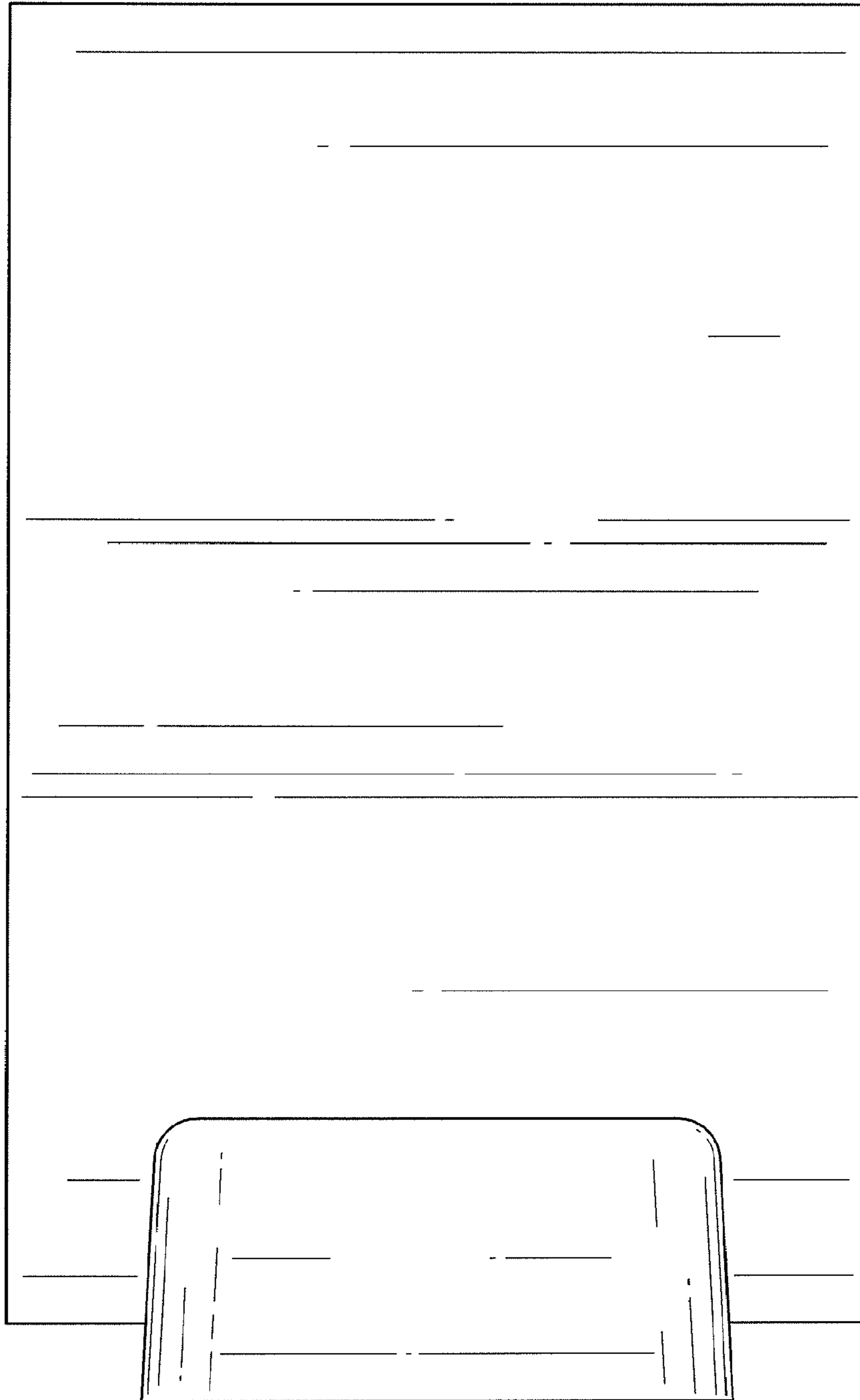


FIG.4