



US00D622255S

(12) **United States Design Patent**  
**Lee et al.**

(10) **Patent No.:** **US D622,255 S**  
(45) **Date of Patent:** **\*\* Aug. 24, 2010**

(54) **CELLULAR PHONE**

2010/0041449 A1\* 2/2010 Nakao et al. .... 455/575.3

(75) Inventors: **Hye-Jeong Lee**, Seoul (KR);  
**Chang-Hwan Hwang**, Seongnam-si  
(KR); **Beom-Ku Han**, Seoul (KR);  
**Sang-Min Hyun**, Seoul (KR); **Hae-Jin**  
**Kim**, Seoul (KR); **Ji-Hye Youn**,  
Seongnam-si (KR)

(73) Assignee: **Samsung Electronics Co., Ltd.**,  
Maetan-dong, Yeongtong-gu, Suwon-si,  
Gyeonggi-do (KR)

(\*\*) Term: **14 Years**

(21) Appl. No.: **29/356,825**

(22) Filed: **Mar. 3, 2010**

(51) **LOC (9) Cl.** ..... **14-03**

(52) **U.S. Cl.** ..... **D14/138 AB**

(58) **Field of Classification Search** ..... D14/138 AB,  
D14/496, 341, 345, 346, 203.3, 203.4, 203.7;  
455/575.3; D21/517; 379/433.13

See application file for complete search history.

(56) **References Cited**

**U.S. PATENT DOCUMENTS**

D521,480 S *	5/2006	Ou et al. ....	D14/138 AB
D571,345 S *	6/2008	Kim et al. ....	D14/138 AB
D571,773 S *	6/2008	Kim et al. ....	D14/138 AB
D573,575 S *	7/2008	Song et al. ....	D14/138 AB
D578,988 S *	10/2008	Chung et al. ....	D14/138 AB
D585,406 S *	1/2009	Morrison et al. ....	D14/138 AB
D586,309 S *	2/2009	Song et al. ....	D14/138 AB
D587,232 S *	2/2009	Kim et al. ....	D14/138 AB
D588,571 S *	3/2009	Yasuda ....	D14/138 AB
D591,260 S *	4/2009	Kim et al. ....	D14/138 AB
7,522,947 B2 *	4/2009	Tsuda ....	455/575.3
D593,521 S *	6/2009	Tan ....	D14/138 AB
D597,996 S *	8/2009	Kang ....	D14/138 AB
D599,338 S *	9/2009	Eguchi ....	D14/248
D616,846 S *	6/2010	Byun et al. ....	D14/138 AB
2003/0125079 A1 *	7/2003	Park et al. ....	455/556
2005/0239520 A1 *	10/2005	Stefansen ....	455/575.1
2006/0135225 A1 *	6/2006	Lin et al. ....	455/575.3
2009/0149227 A1 *	6/2009	Yamaguchi ....	455/575.3

**OTHER PUBLICATIONS**

Sharp 936SH telephone, announced Sep. 2009, [online], [site visited Jun. 18, 2010]. Available from Internet ,<URL: http://www.gsmarena.com>.\*

Sharp 934SH telephone, announced Aug. 2009, [online], [site visited Jun. 18, 2010]. Available from Internet ,<URL: http://www.gsmarena.com>.\*

Haier A66 telephone, announced 2010, [online], [site visited Jun. 18, 2010]. Available from Internet ,<URL: http://www.gsmarena.com>.\*

Sharp 903 telephone, announced Jul. 2005, [online], [site visited Jun. 18, 2010]. Available from Internet ,<URL: http://www.gsmarena.com>.\*

LG KF305 telephone, announced Feb. 2010, [online], [site visited Jun. 18, 2010]. Available from Internet ,<URL: http://www.gsmarena.com>.\*

\* cited by examiner

*Primary Examiner*—Jeffrey D Asch

(57) **CLAIM**

The ornamental design for a cellular phone, as shown and described.

**DESCRIPTION**

FIG. 1 is a perspective view of a cellular phone showing our new design;

FIG. 2 is a front elevational view thereof;

FIG. 3 is a rear elevational view thereof;

FIG. 4 is a left side elevational view thereof;

FIG. 5 is a right side elevational view thereof;

FIG. 6 is a top plan view thereof;

FIG. 7 is a bottom plan view thereof;

FIG. 8 is a front elevational view of the cellular phone showing our new design in a state in which the cellular phone is open when used; and,

FIG. 9 is a right side elevational view of FIG. 8 in a state in which the cellular phone is open when used.

**1 Claim, 9 Drawing Sheets**

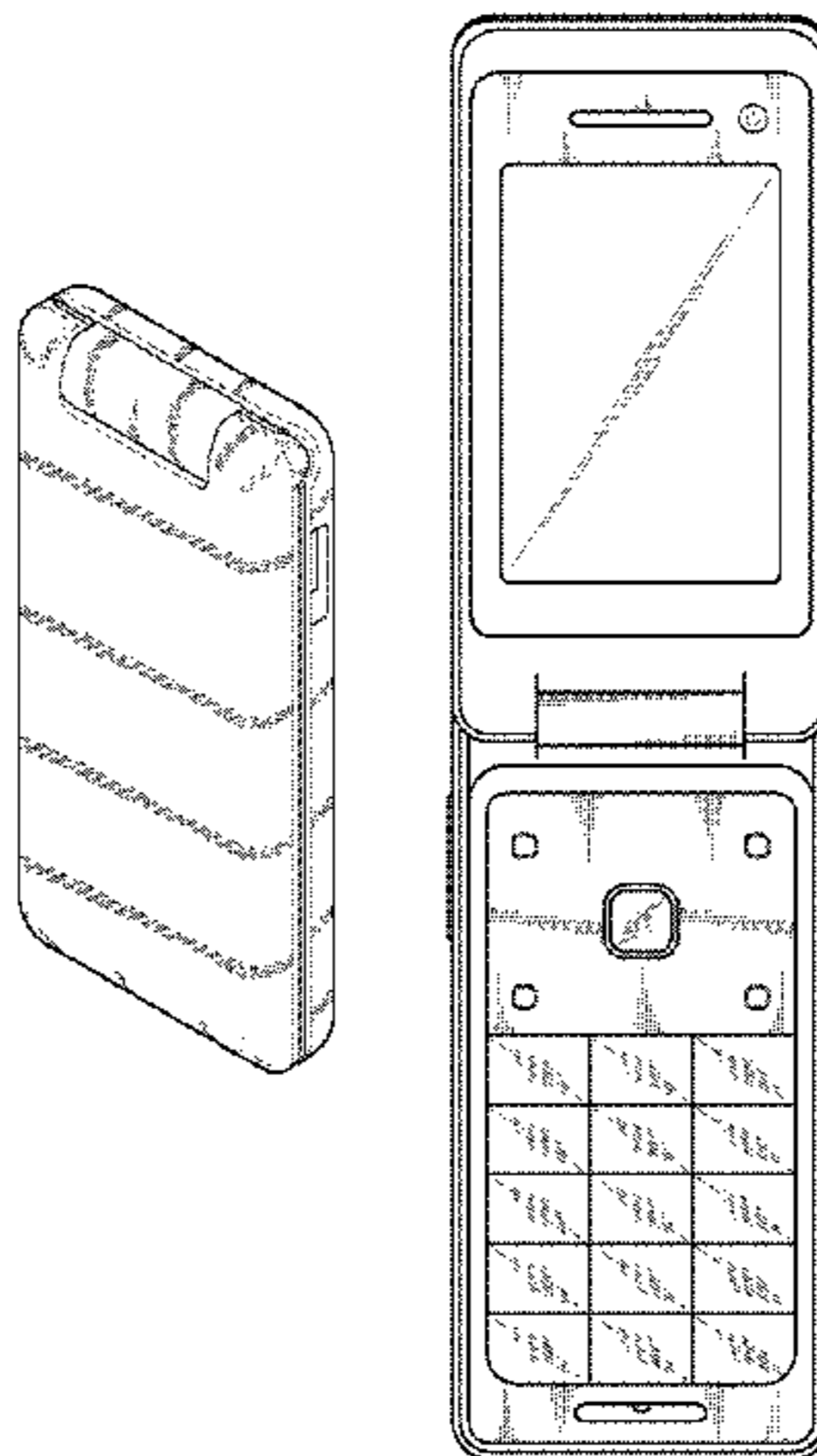


FIG. 1

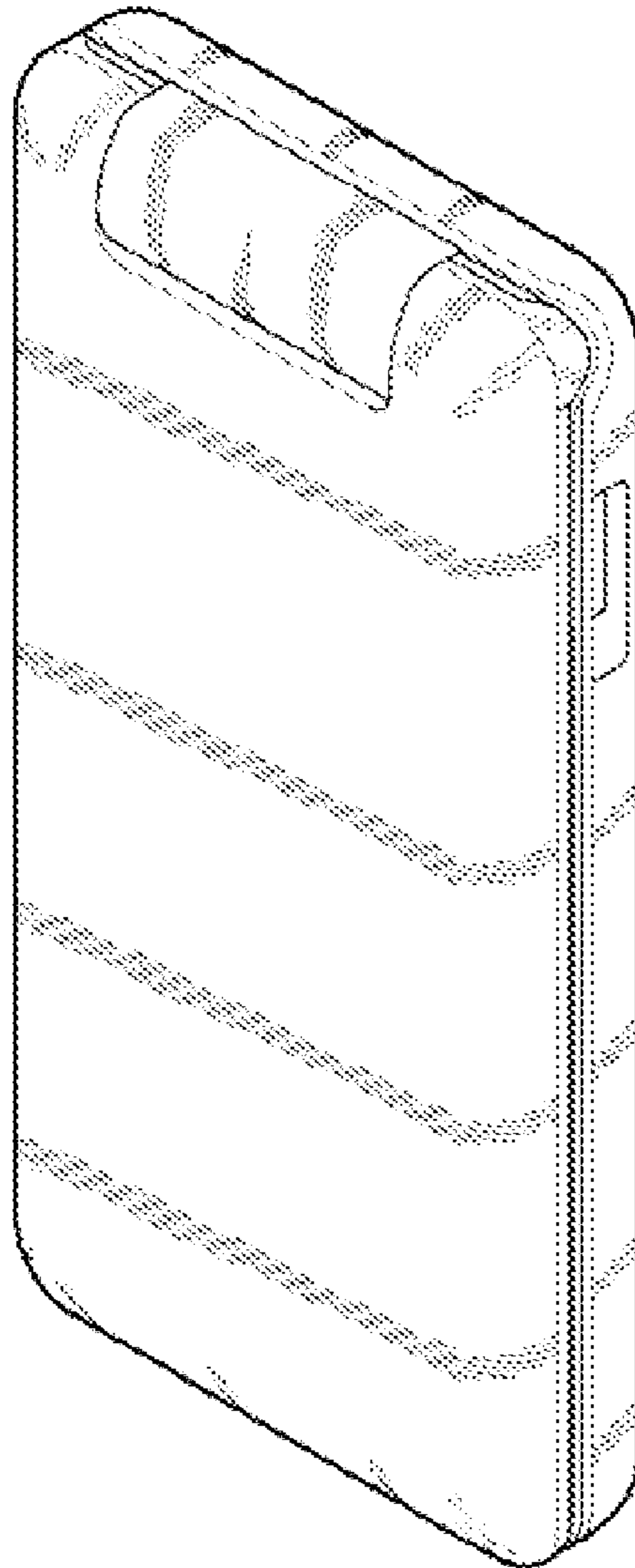


FIG. 2

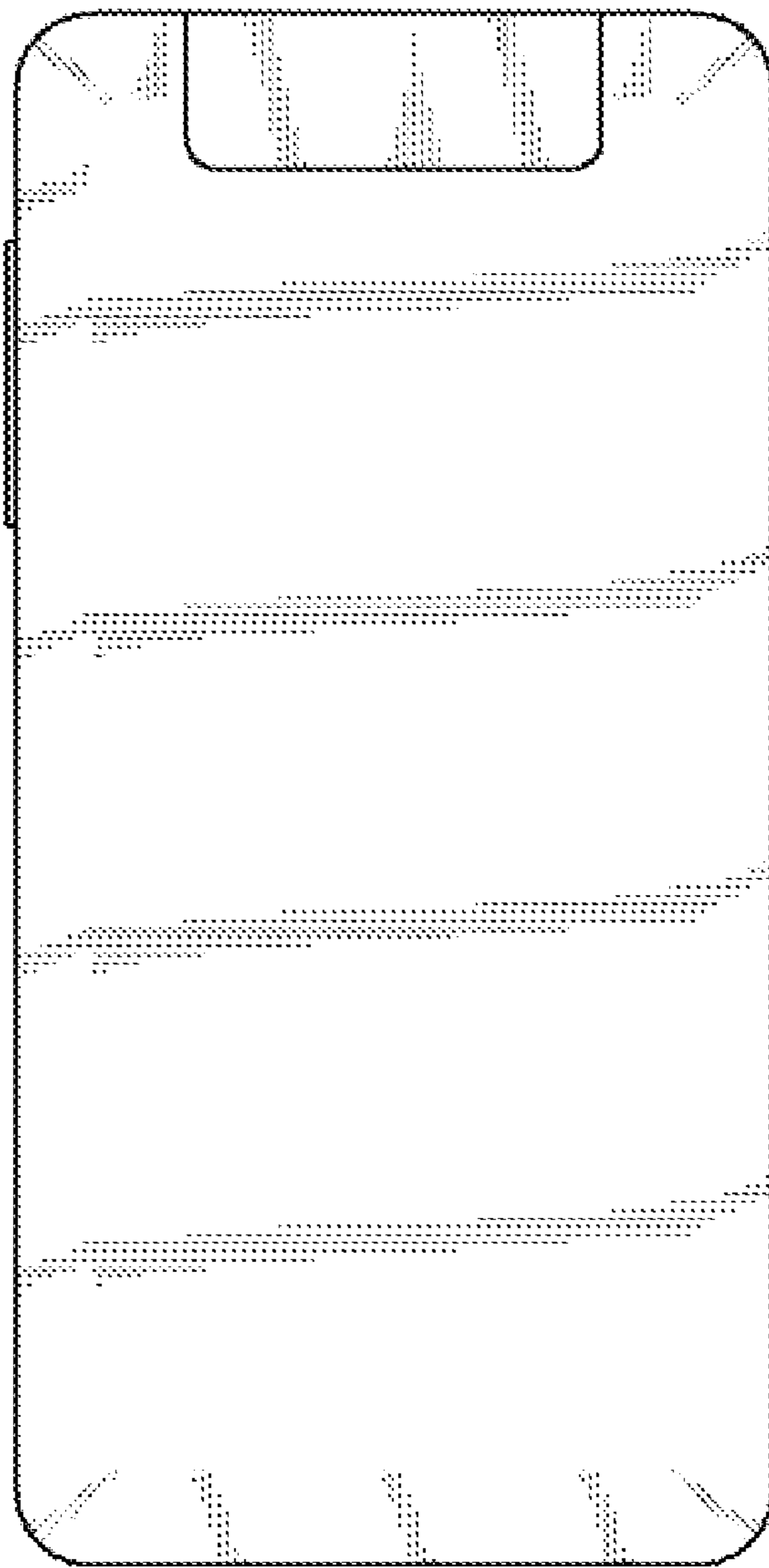


FIG. 3

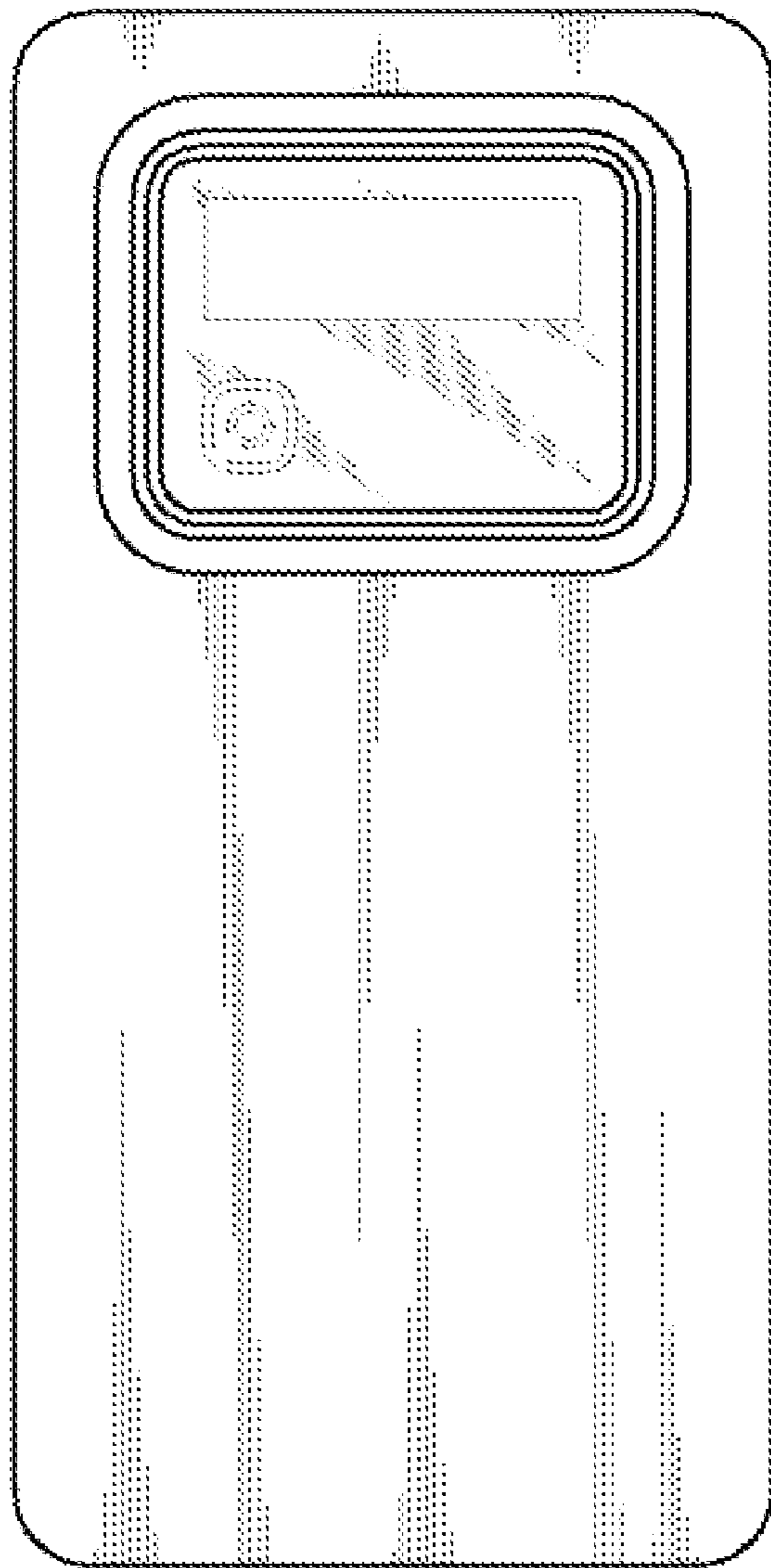


FIG. 4

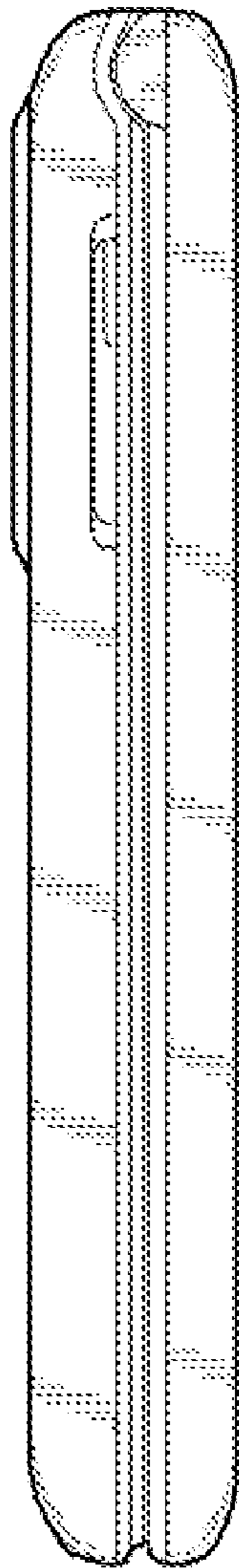


FIG. 5

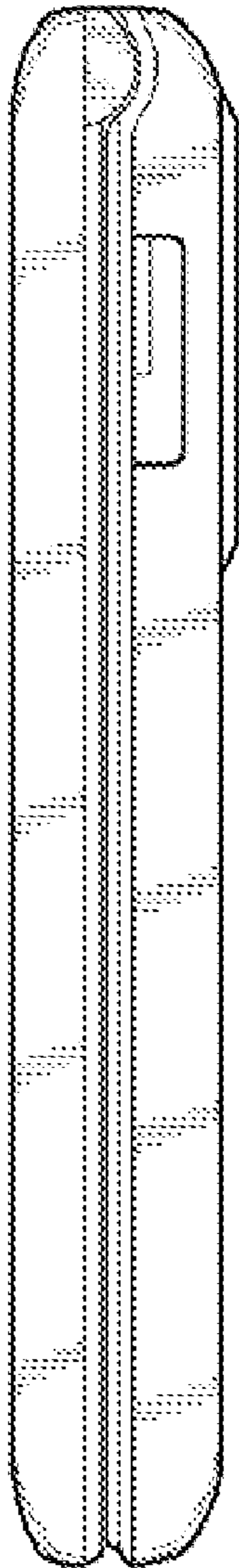


FIG. 6

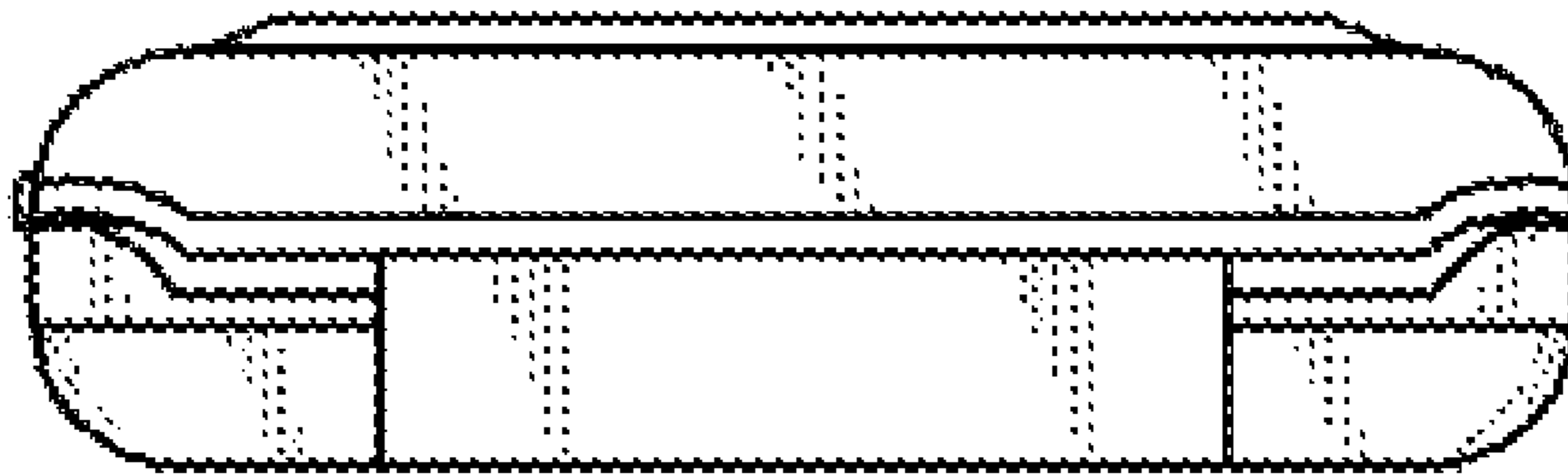


FIG. 7

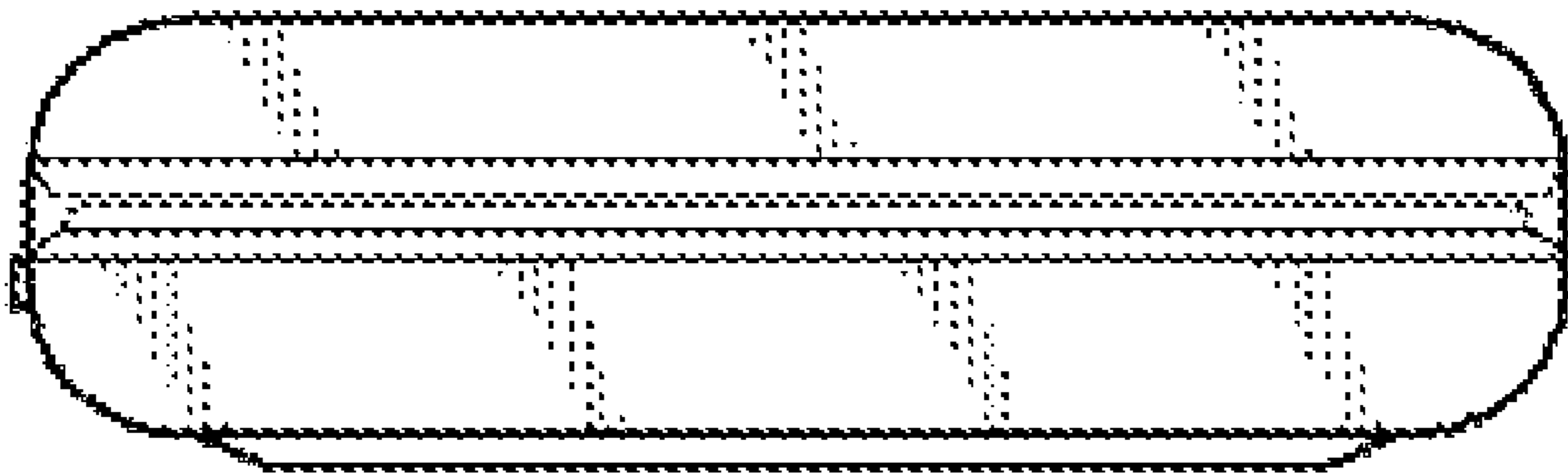




FIG. 8

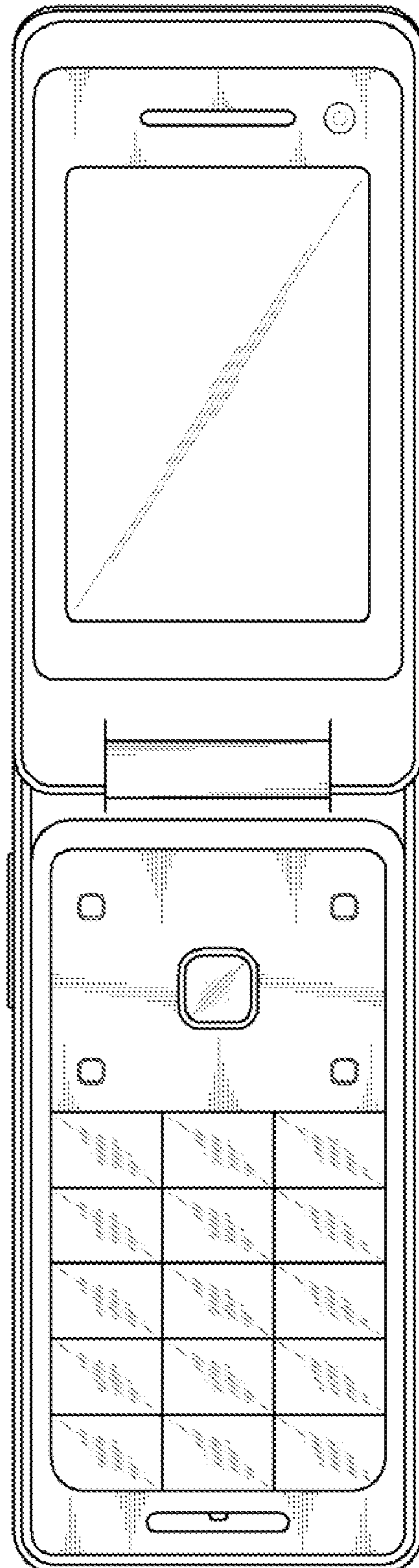


FIG. 9

