



US00D622252S

(12) **United States Design Patent**
Kim et al.

(10) **Patent No.:** **US D622,252 S**
(45) **Date of Patent:** **** Aug. 24, 2010**

(54) **MOBILE PHONE**

(75) Inventors: **Bo-Ra Kim**, Seoul (KR); **Sang-Min Hyun**, Seoul (KR); **Nam-Mi Kim**, Seoul (KR)

(73) Assignee: **Samsung Electronics Co., Ltd.**, Suwon-si (KR)

(**) Term: **14 Years**

(21) Appl. No.: **29/351,018**

(22) Filed: **Nov. 27, 2009**

(30) **Foreign Application Priority Data**

Oct. 15, 2009 (KR) 30-2009-0045445

(51) **LOC (9) Cl.** **14-03**

(52) **U.S. Cl.** **D14/138 AB**

(58) **Field of Classification Search** D14/138 R, D14/138 AD, 138 AC, 138 C, 138 G, 191, D14/203.1–203.8, 496, 138 AA, 138 AB, D14/247–248, 137, 147, 218, 341–347; D10/65, D10/78, 104; D13/168; D18/7; 455/566, 455/575.1, 575.3

See application file for complete search history.

(56) **References Cited**

U.S. PATENT DOCUMENTS

- D506,937 S * 7/2005 Lee et al. D10/65
- D521,480 S * 5/2006 Ou et al. D14/138 AB
- D529,045 S * 9/2006 Shin D14/203.7
- D530,698 S * 10/2006 Lee et al. D14/138 G
- D548,214 S * 8/2007 Kim et al. D14/138 AD
- D552,579 S * 10/2007 Lee et al. D14/138 AC
- D563,924 S * 3/2008 Arnold et al. D14/138 AB
- D566,077 S * 4/2008 Kim et al. D14/138 AB
- D566,082 S * 4/2008 Kim et al. D14/138 AB
- D569,837 S * 5/2008 Baik et al. D14/138 G
- D571,345 S * 6/2008 Kim et al. D14/138 AB
- D571,773 S * 6/2008 Kim et al. D14/138 AB
- D577,704 S * 9/2008 Park et al. D14/138 AD

- D579,902 S * 11/2008 Kim et al. D14/138 AD
- 7,460,885 B2 * 12/2008 Ikeda et al. 455/556.1
- D591,252 S * 4/2009 Kim et al. D14/138 G

(Continued)

OTHER PUBLICATIONS

Motorola Milestone, announced Nov. 2009, [online], [retrieved on Nov. 24, 2009]. Retrieved from Internet ,<URL: http://www.gsmarena.com>.*

(Continued)

Primary Examiner—Jeffrey D Asch
Assistant Examiner—Bridget L Eland
(74) *Attorney, Agent, or Firm*—NSIP Law

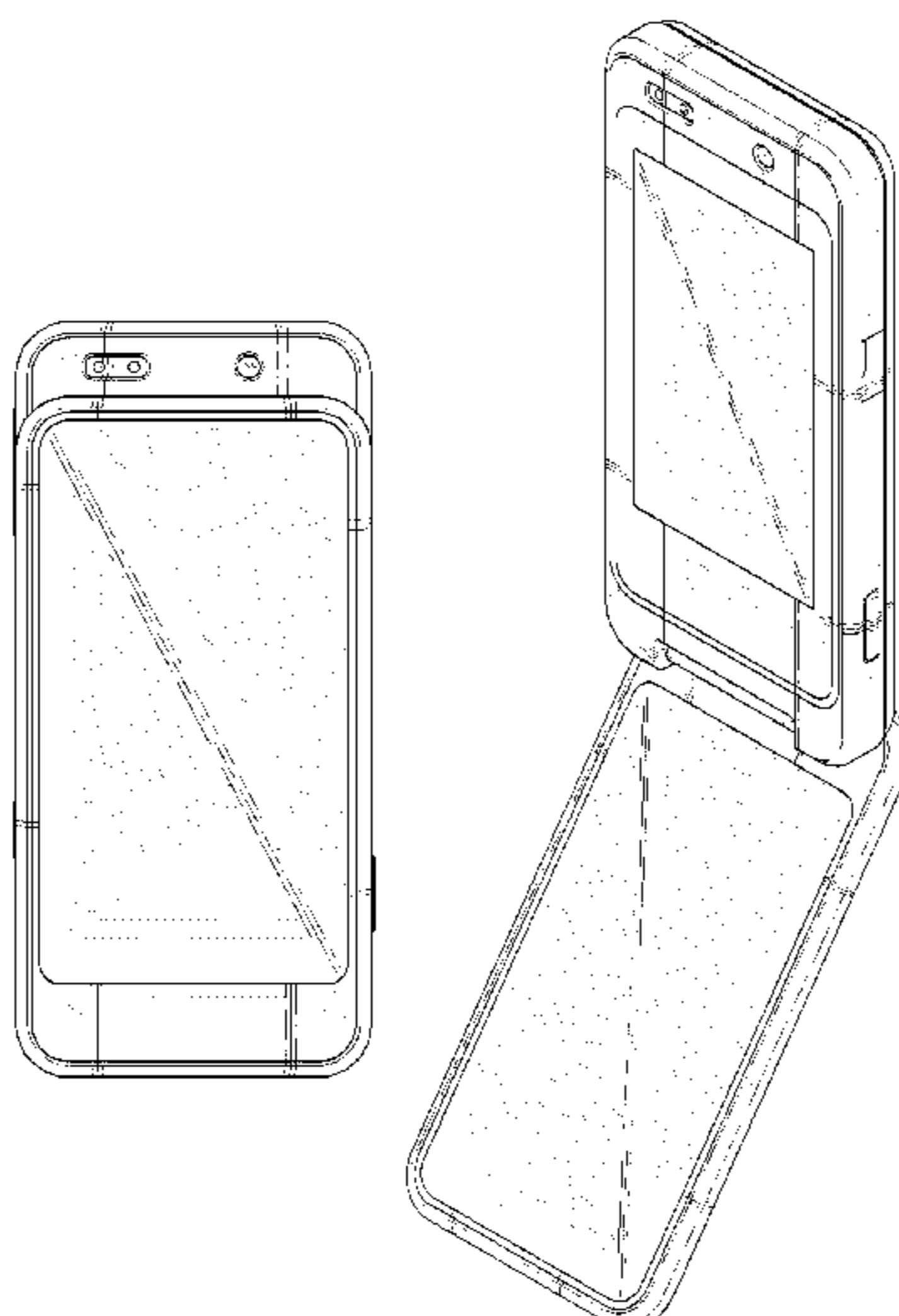
(57) **CLAIM**

The ornamental design for a mobile phone, as shown and described.

DESCRIPTION

FIG. 1 is a perspective view of a mobile phone;
FIG. 2 is a front view of the mobile phone of FIG. 1;
FIG. 3 is a rear view of the mobile phone of FIG. 1;
FIG. 4 is a left-side view of the mobile phone of FIG. 1;
FIG. 5 is a right-side view of the mobile phone of FIG. 1;
FIG. 6 is a top plan view of the mobile phone of FIG. 1;
FIG. 7 is a bottom plan view of the mobile phone of FIG. 1;
and,
FIG. 8 is a perspective open view of the mobile phone of FIG. 1.

1 Claim, 6 Drawing Sheets



US D622,252 S

Page 2

U.S. PATENT DOCUMENTS

D593,059 S * 5/2009 Kim et al. D14/138 G
D598,914 S * 8/2009 Song et al. D14/345
D603,829 S * 11/2009 Madsen et al. D14/138 G
2007/0037616 A1 * 2/2007 Hung 455/575.3
2007/0060216 A1 * 3/2007 Huang et al. 455/575.3
2008/0051161 A1 * 2/2008 Tashiro 455/575.1
2008/0207272 A1 * 8/2008 Thornton et al. 455/566
2008/0242380 A1 * 10/2008 Kajihara et al. 455/575.4
2009/0137283 A1 * 5/2009 Kaneda et al. 455/566

2009/0286573 A1* 11/2009 Jang et al. 455/566

OTHER PUBLICATIONS

Philips Xenium K700, announced Nov. 2009, [online], [retrieved on Dec. 7, 2009]. Retrieved from Internet ,<URL: <http://www.gsmarena.com>>.*

Nokia 6170, announced 3rd quarter 2004, [online], [retrieved on Apr. 7, 2010]. Retrieved from Internet ,<URL: <http://www.gsmarena.com>>.*

* cited by examiner

FIG. 1

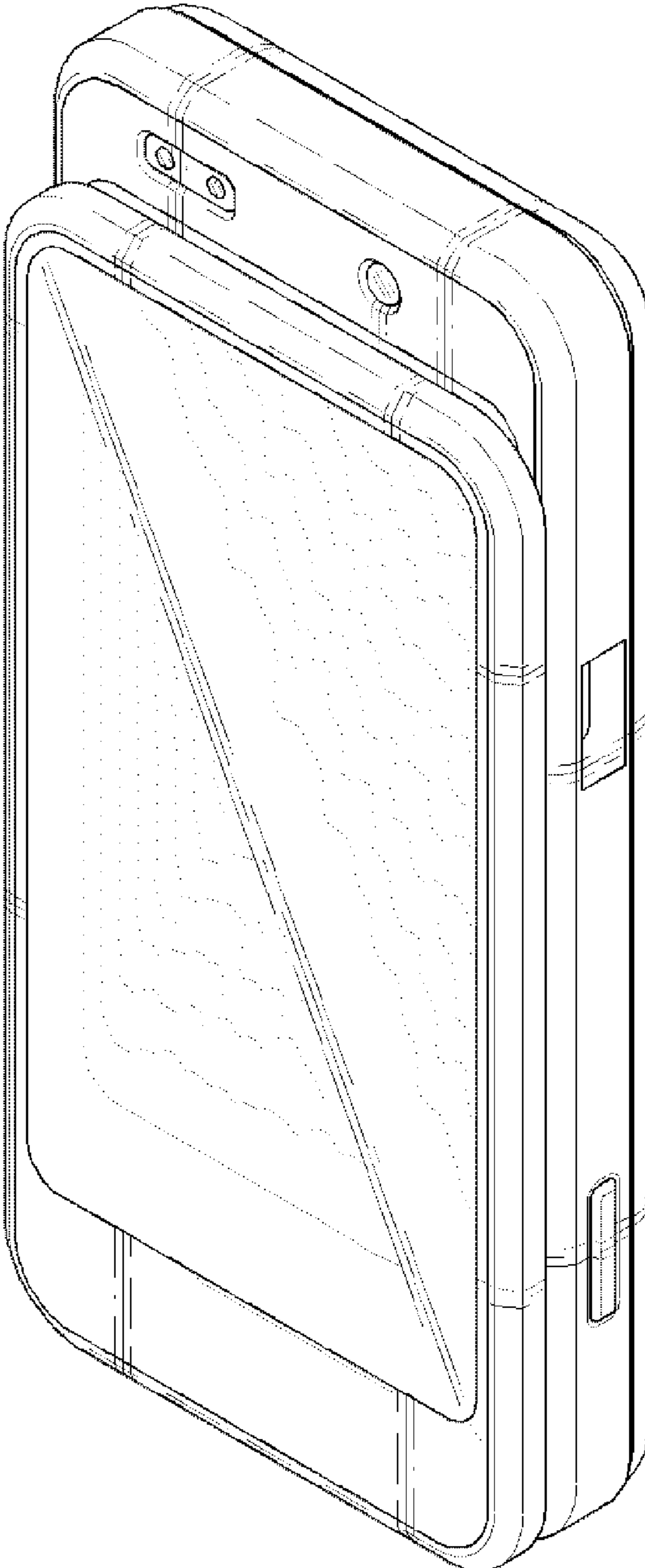


FIG. 2

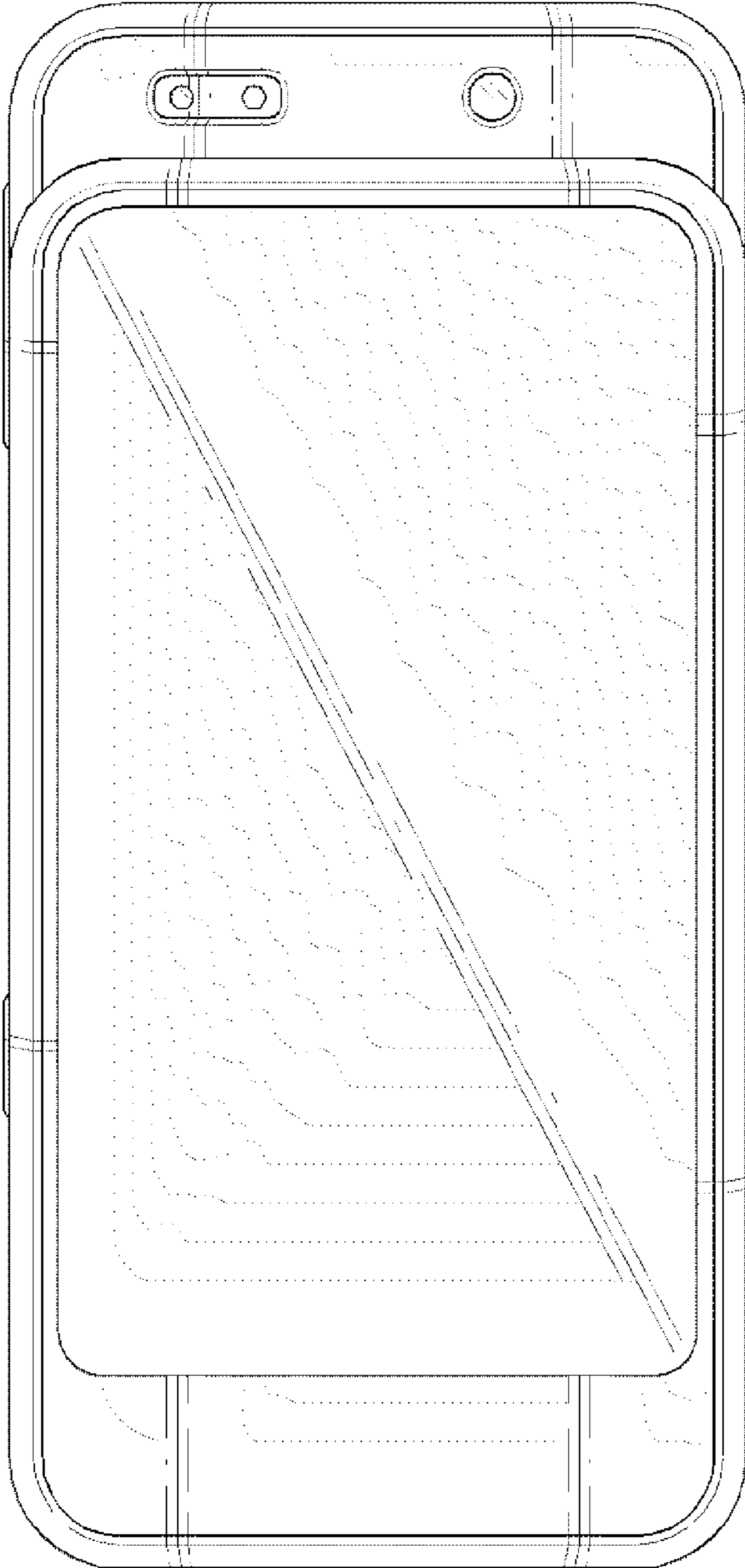


FIG. 3

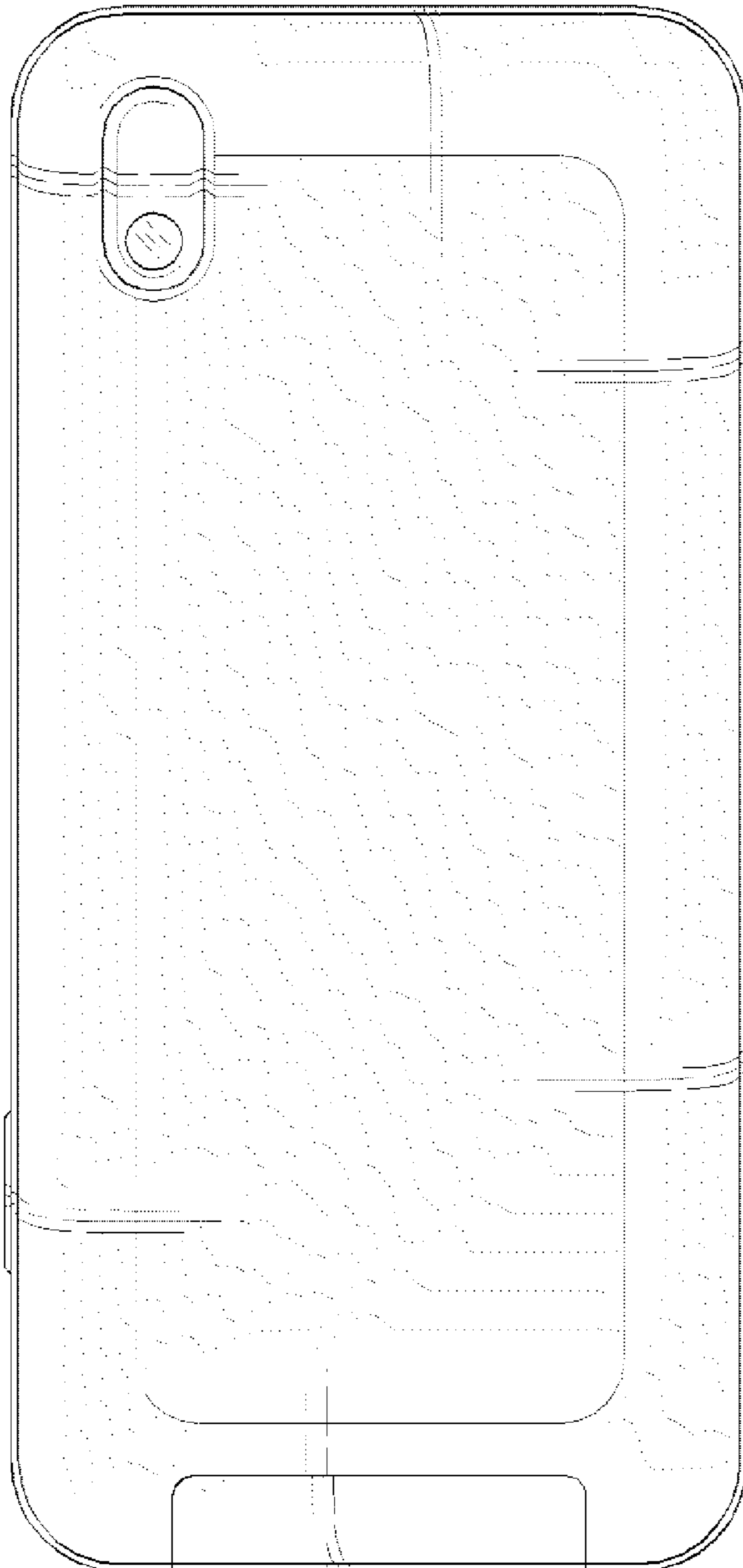


FIG. 4

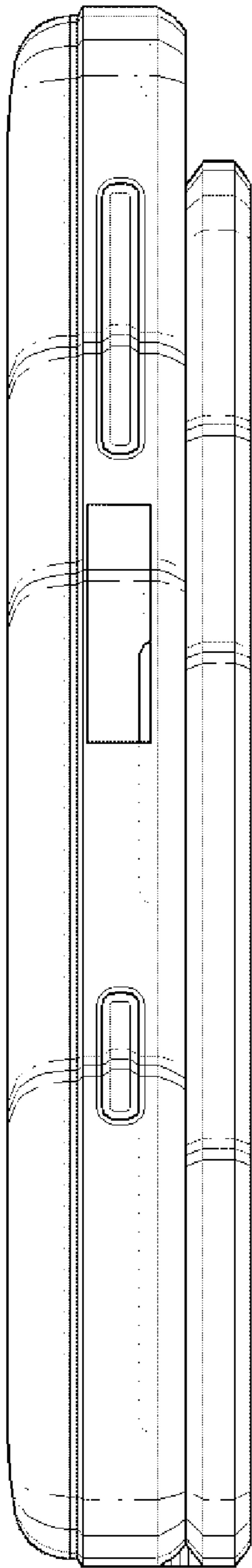


FIG. 5

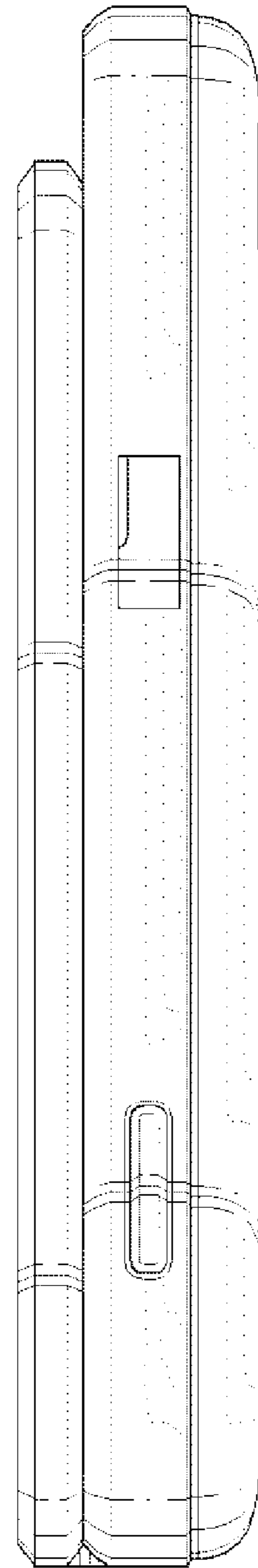


FIG. 6

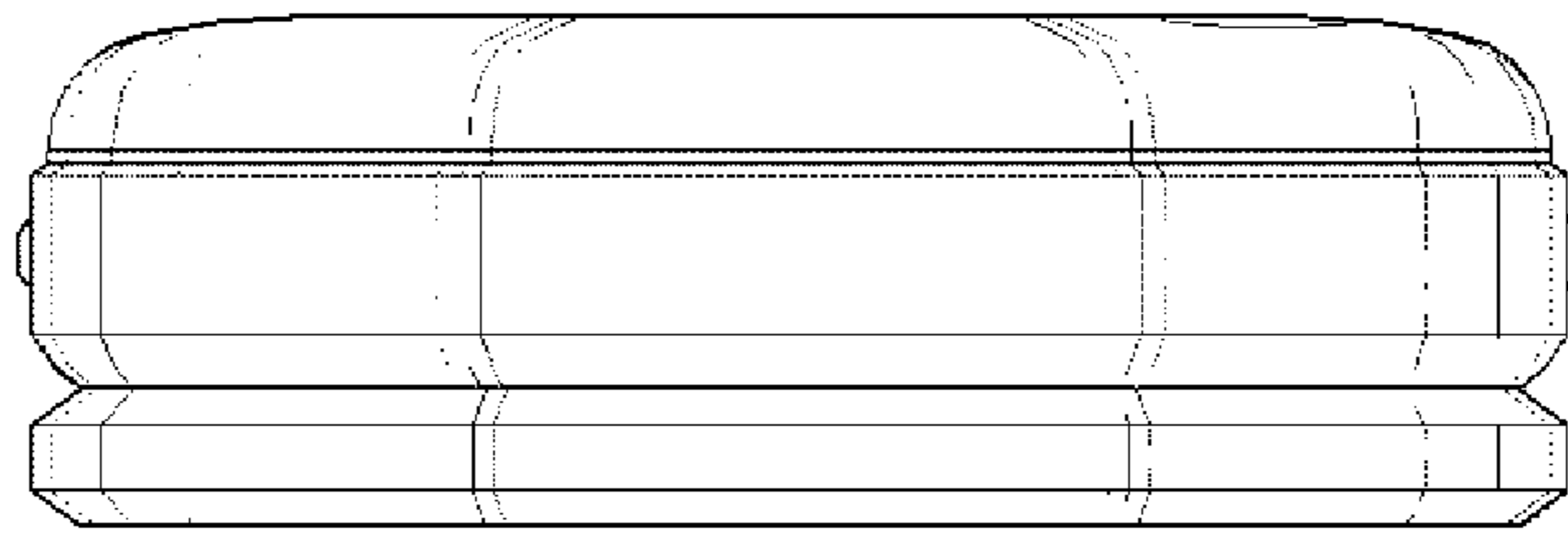


FIG. 7

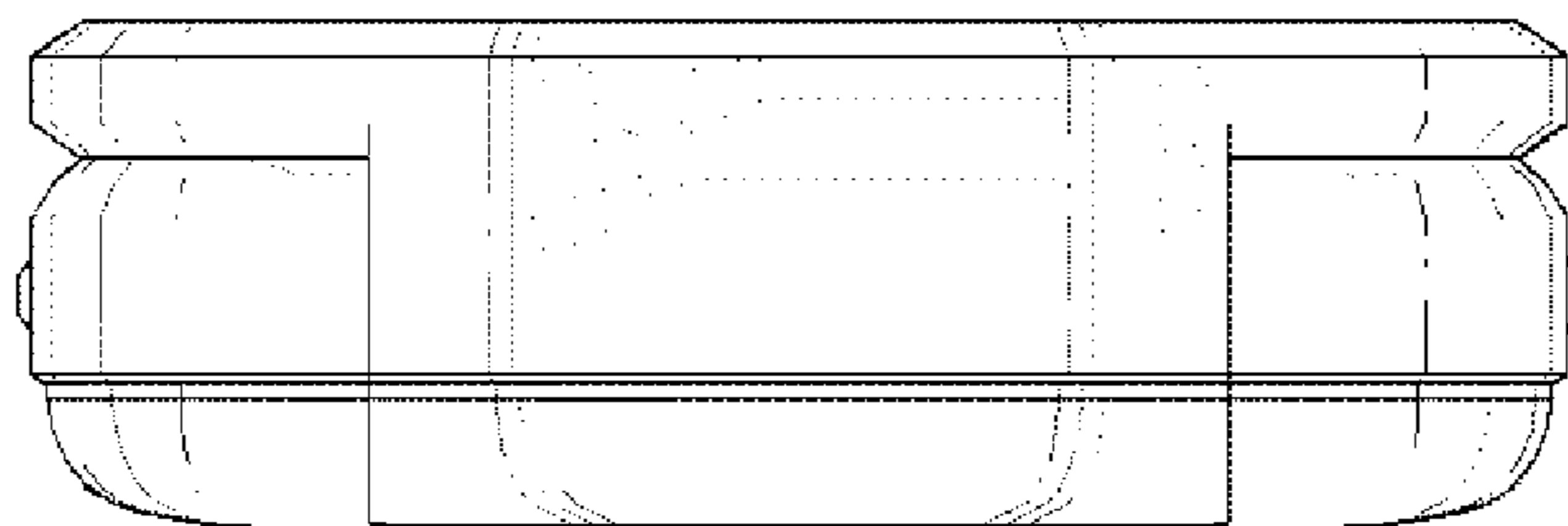
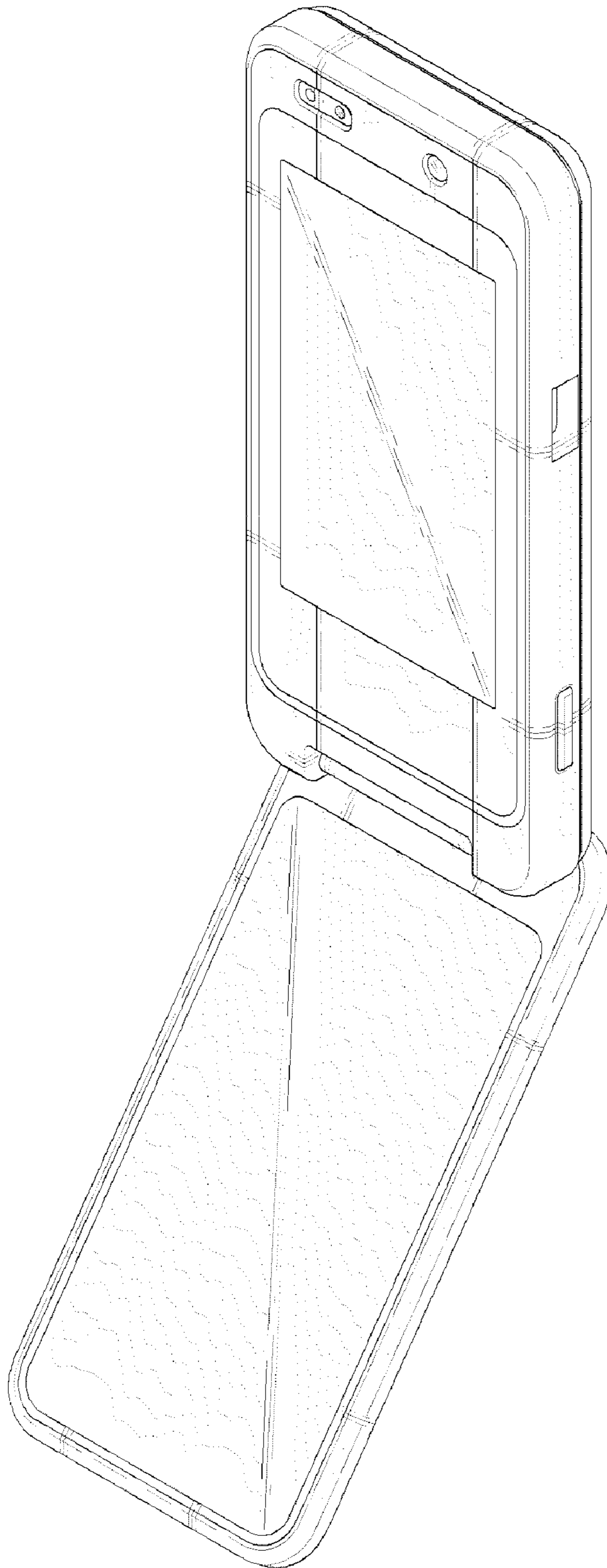


FIG. 8



UNITED STATES PATENT AND TRADEMARK OFFICE
CERTIFICATE OF CORRECTION

PATENT NO. : Des. 622,252 S
APPLICATION NO. : 29/351018
DATED : August 24, 2010
INVENTOR(S) : Kim et al.

Page 1 of 9

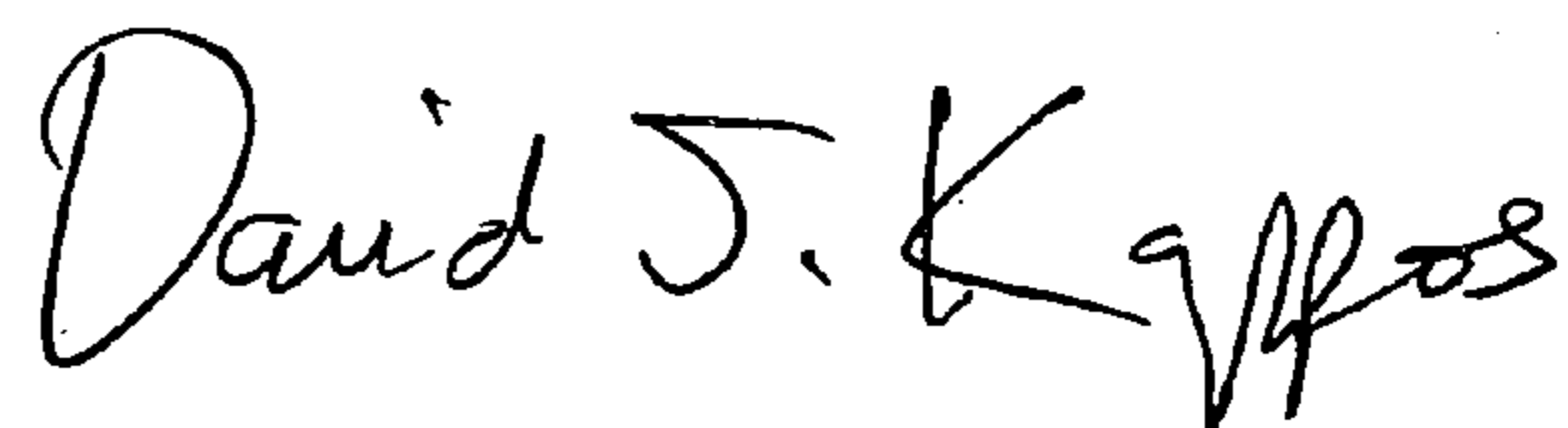
It is certified that error appears in the above-identified patent and that said Letters Patent is hereby corrected as shown below:

The Title Page, showing an illustrative figure, should be deleted and substitute therefor the attached title page.

Please replace all the drawings with new Figures 1-8.

Signed and Sealed this

Twenty-third Day of November, 2010

A handwritten signature in black ink that reads "David J. Kappos". The signature is written in a cursive style with a large initial 'D' and 'K'.

David J. Kappos
Director of the United States Patent and Trademark Office

(12) **United States Design Patent**
Kim et al.

(10) **Patent No.:** **US D622,252 S**
(45) **Date of Patent:** **** Aug. 24, 2010**

(54) **MOBILE PHONE**

D579,902 S * 11/2008 Kim et al. D14/138 AD
7,460,885 B2 * 12/2008 Ikeda et al. 455/556.1
D591,252 S * 4/2009 Kim et al. D14/138 G

(75) **Inventors:** **Bo-Ra Kim**, Seoul (KR); **Sang-Min Hyun**, Seoul (KR); **Nam-Mi Kim**, Seoul (KR)

(73) **Assignee:** **Samsung Electronics Co., Ltd.**, Suwon-si (KR)

(Continued)

(**) **Term:** **14 Years**

OTHER PUBLICATIONS

(21) **Appl. No.:** **29/351,018**

Motorola Milestone, announced Nov. 2009, [online], [retrieved on Nov. 24, 2009]. Retrieved from Internet ,<URL: <http://www.gsmarena.com>>.*

(22) **Filed:** **Nov. 27, 2009**

(Continued)

(30) **Foreign Application Priority Data**

Oct. 15, 2009 (KR) 30-2009-0045445

Primary Examiner—Jeffrey D Asch
Assistant Examiner—Bridget L Eland
(74) *Attorney, Agent, or Firm*—NSIP Law

(51) **LOC (9) Cl.** **14-03**

(52) **U.S. Cl.** **D14/138 AB**

(58) **Field of Classification Search** D14/138 R,
D14/138 AD, 138 AC, 138 C, 138 G, 191,
D14/203.1–203.8, 496, 138 AA, 138 AB,
D14/247–248, 137, 147, 218, 341–347; D10/65,
D10/78, 104; D13/168; D18/7; 455/566,
455/575.1, 575.3

(57) **CLAIM**

The ornamental design for a mobile phone, as shown and described.

See application file for complete search history.

DESCRIPTION

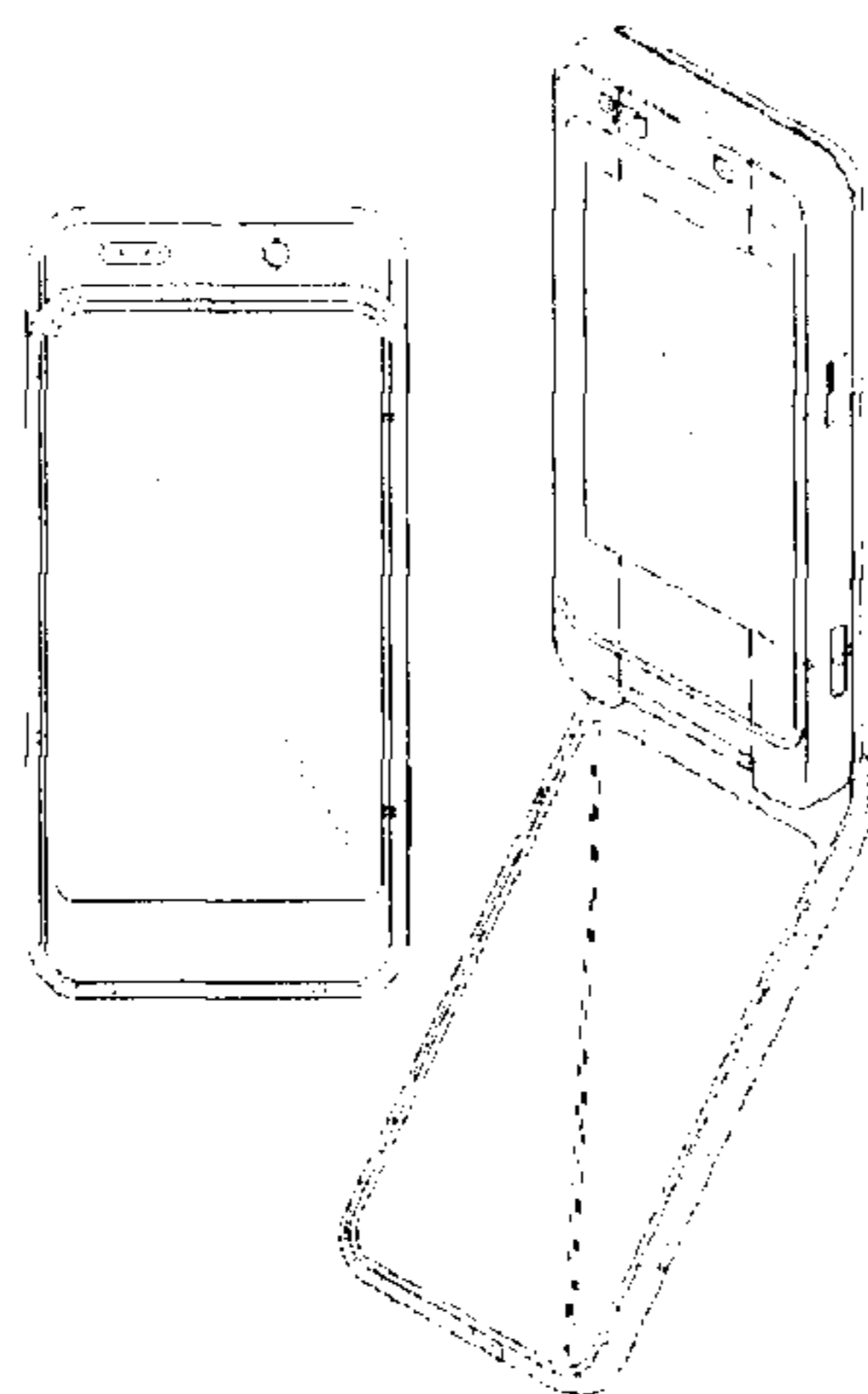
(56) **References Cited**

U.S. PATENT DOCUMENTS

D506,937 S * 7/2005 Lee et al. D10/65
D521,480 S * 5/2006 Ou et al. D14/138 AB
D529,045 S * 9/2006 Shin D14/203.7
D530,698 S * 10/2006 Lee et al. D14/138 G
D548,214 S * 8/2007 Kim et al. D14/138 AD
D552,579 S * 10/2007 Lee et al. D14/138 AC
D563,924 S * 3/2008 Arnold et al. D14/138 AB
D566,077 S * 4/2008 Kim et al. D14/138 AB
D566,082 S * 4/2008 Kim et al. D14/138 AB
D569,837 S * 5/2008 Baik et al. D14/138 G
D571,345 S * 6/2008 Kim et al. D14/138 AB
D571,773 S * 6/2008 Kim et al. D14/138 AB
D577,704 S * 9/2008 Park et al. D14/138 AD

FIG. 1 is a perspective view of a mobile phone;
FIG. 2 is a front view of the mobile phone of FIG. 1;
FIG. 3 is a rear view of the mobile phone of FIG. 1;
FIG. 4 is a left-side view of the mobile phone of FIG. 1;
FIG. 5 is a right-side view of the mobile phone of FIG. 1;
FIG. 6 is a top plan view of the mobile phone of FIG. 1;
FIG. 7 is a bottom plan view of the mobile phone of FIG. 1;
and,
FIG. 8 is a perspective open view of the mobile phone of FIG. 1.

1 Claim, 6 Drawing Sheets



US D622,252 S

Page 2

U.S. PATENT DOCUMENTS

D593,059 S * 5/2009 Kim et al. D14/138 G
D598,914 S * 8/2009 Song et al. D14/345
D603,829 S * 11/2009 Madsen et al. D14/138 G
2007/0037616 A1 * 2/2007 Hung 455/575.3
2007/0060216 A1 * 3/2007 Huang et al. 455/575.3
2008/0051161 A1 * 2/2008 Tashiro 455/575.1
2008/0207272 A1 * 8/2008 Thornton et al. 455/566
2008/0242380 A1 * 10/2008 Kajihara et al. 455/575.4
2009/0137283 A1 * 5/2009 Kaneda et al. 455/566

2009/0286573 A1 * 11/2009 Jang et al. 455/566

OTHER PUBLICATIONS

Philips Xenium K700, announced Nov. 2009, [online], [retrieved on Dec. 7, 2009]. Retrieved from Internet ,<URL: <http://www.gsmarena.com>>.*

Nokia 6170, announced 3rd quarter 2004. [online], [retrieved on Apr. 7, 2010]. Retrieved from Internet ,<URL: <http://www.gsmarena.com>>.*

* cited by examiner

FIG. 1

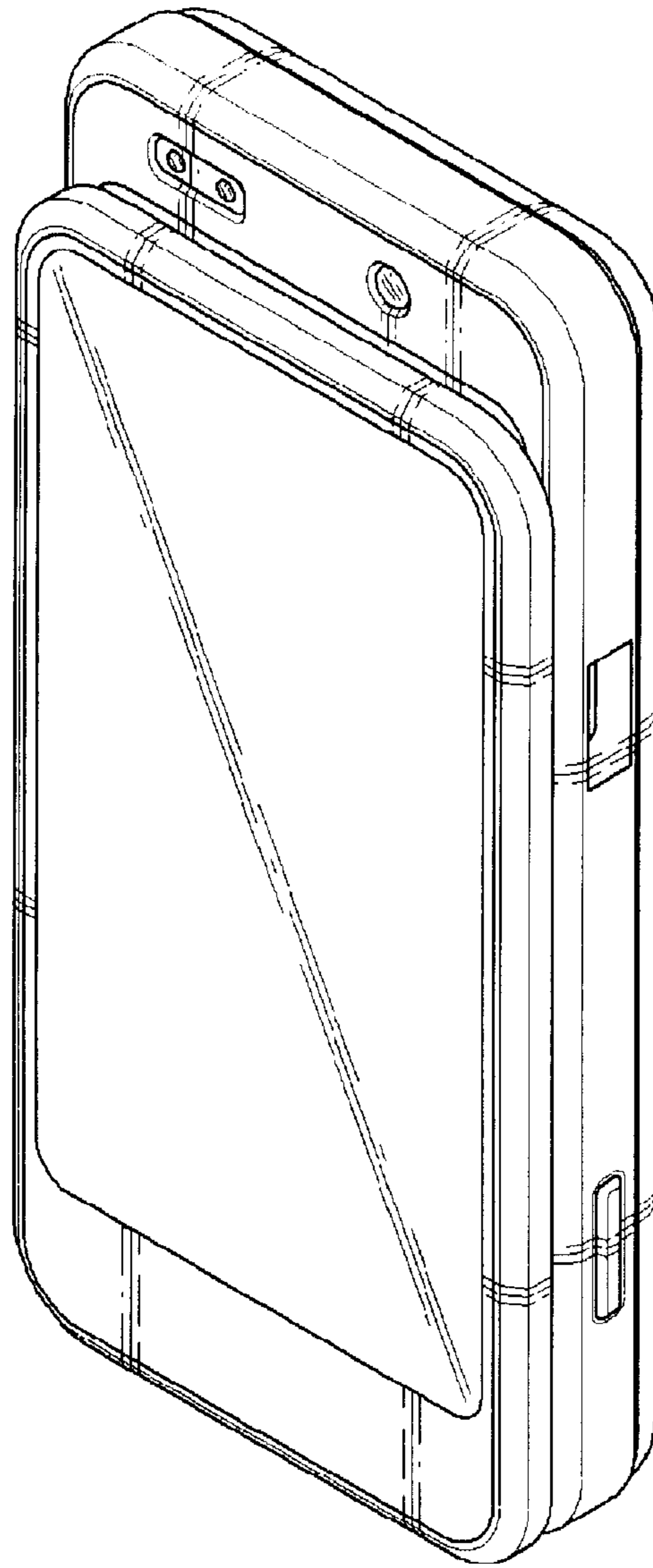


FIG. 2

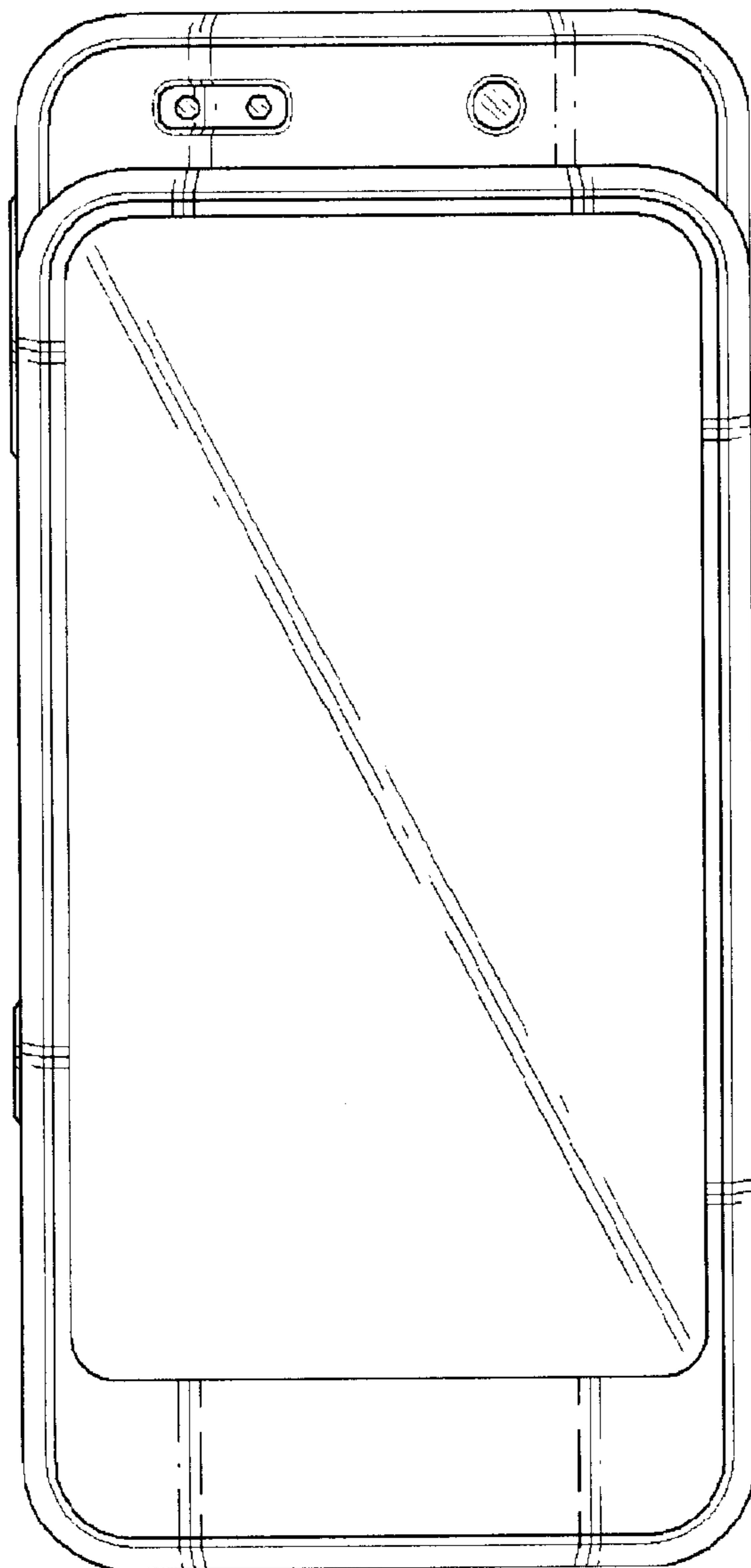


FIG. 3

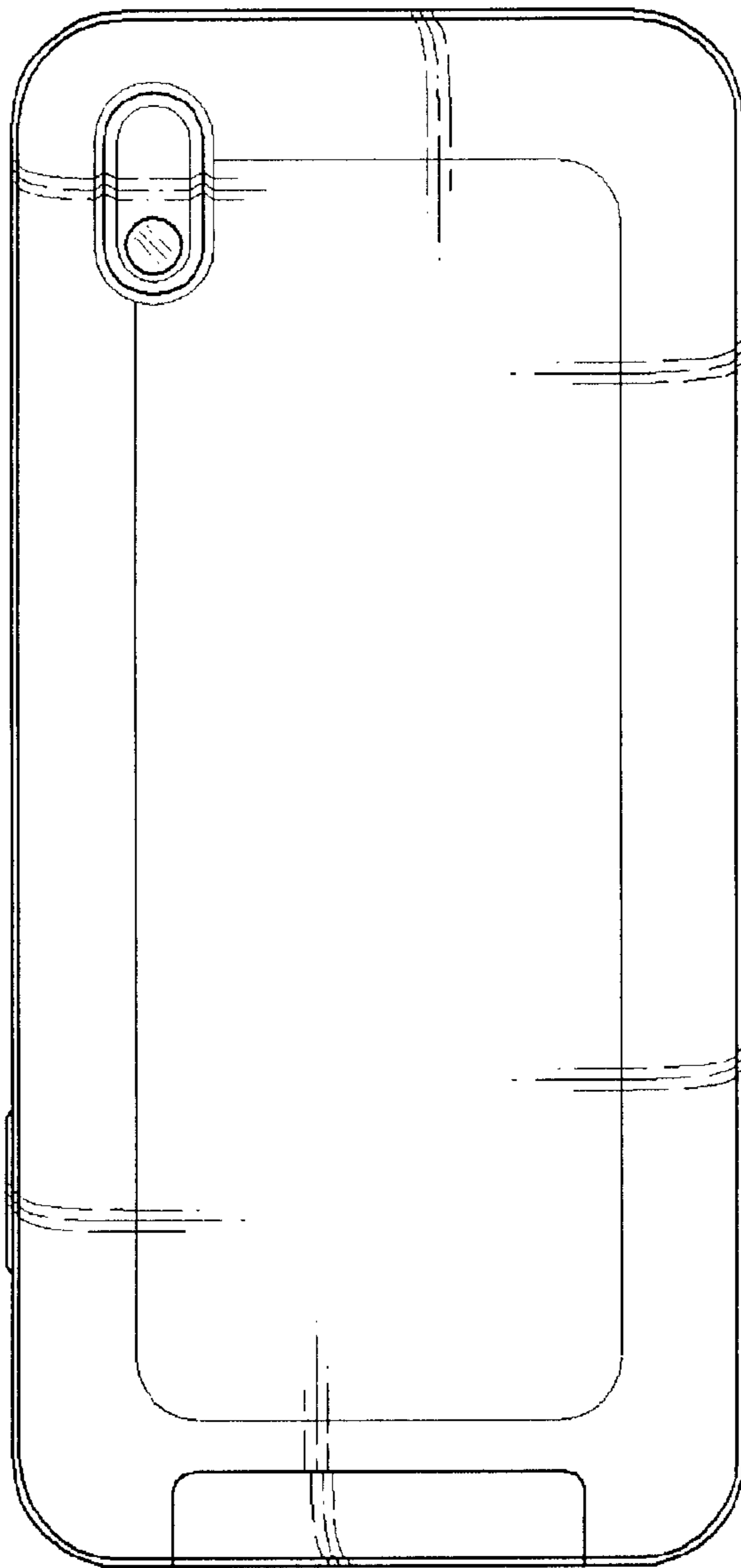


FIG. 4

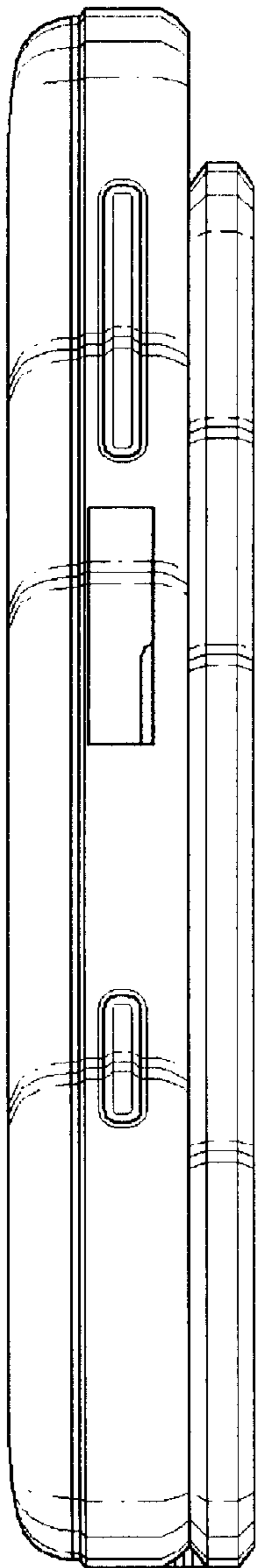


FIG. 5

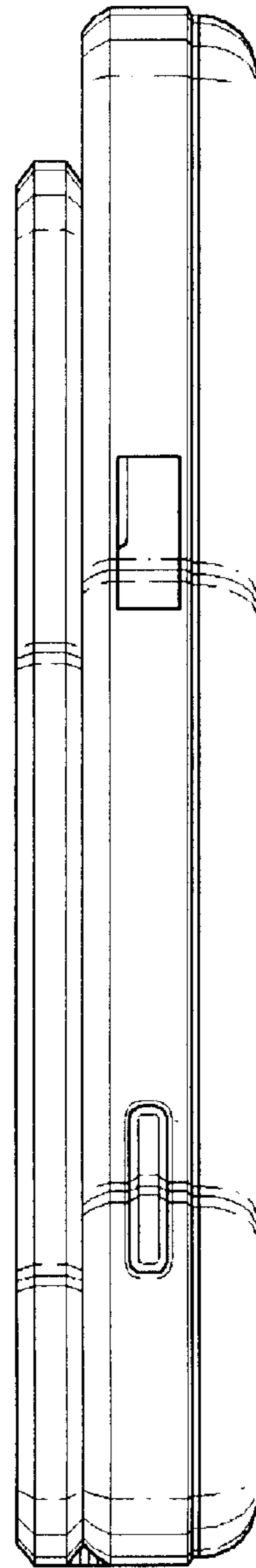


FIG. 6

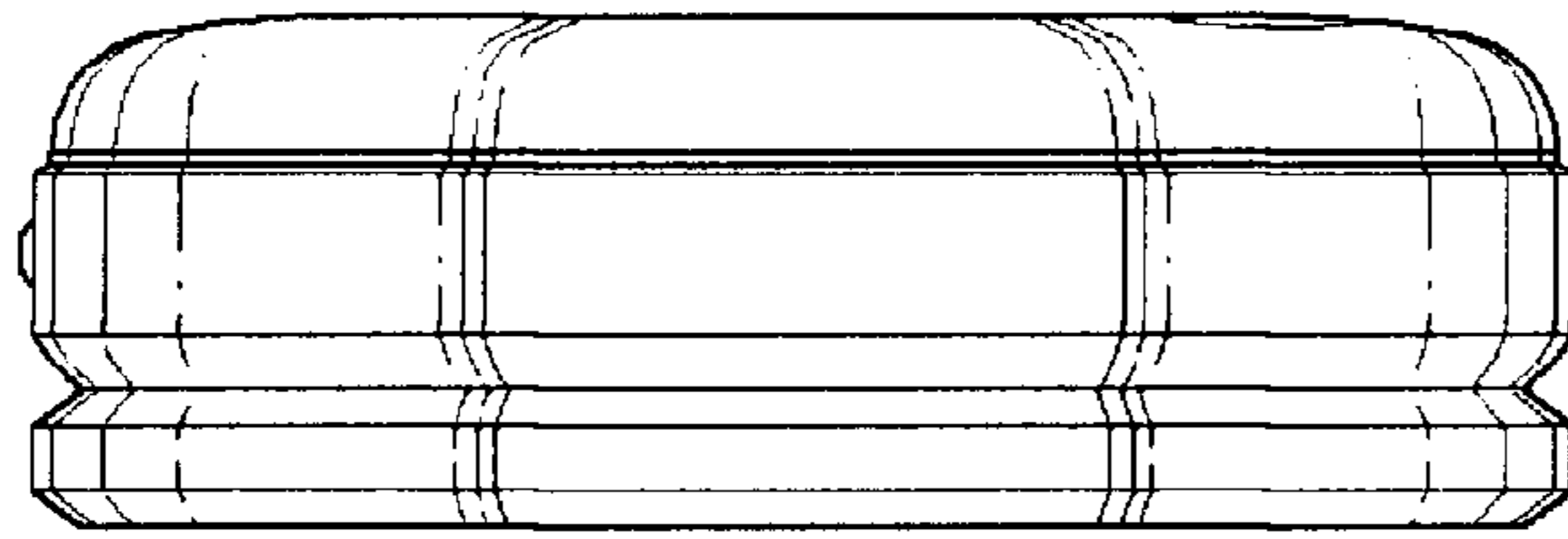


FIG. 7

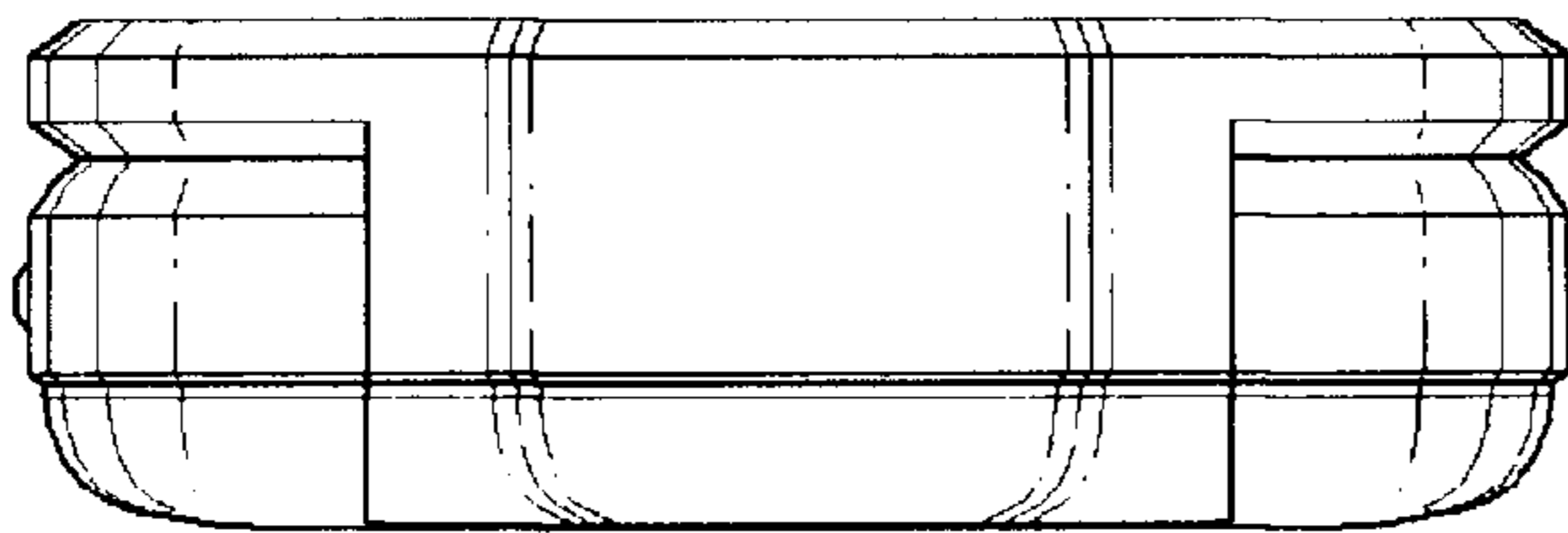


FIG. 8

