



US00D622248S

(12) **United States Design Patent**
Kwon et al.

(10) **Patent No.:** **US D622,248 S**

(45) **Date of Patent:** **** Aug. 24, 2010**

(54) **MOBILE PHONE**

(75) Inventors: **Kyung-Jun Kwon**, Hanam-Si (KR);
Sang-Min Hyun, Seoul (KR); **Nam-Mi Kim**, Seoul (KR)

(73) Assignee: **Samsung Electronics Co., Ltd.**,
Suwon-si (KR)

(**) Term: **14 Years**

(21) Appl. No.: **29/350,907**

(22) Filed: **Nov. 25, 2009**

(30) **Foreign Application Priority Data**

Sep. 30, 2009 (KR) 30-2009-0043185

(51) **LOC (9) Cl.** **14-03**

(52) **U.S. Cl.** **D14/138 G; D14/138 AD**

(58) **Field of Classification Search** D14/138 R,
D14/138 AD, 138 AC, 138 C, 138 G, 191,
D14/203.1–203.8, 496, 138 AA, 138 AB,
D14/247–248, 137, 147, 218, 341–347; D10/65,
D10/78, 104; D13/168; D18/7; 455/566,
455/575.1, 575.3

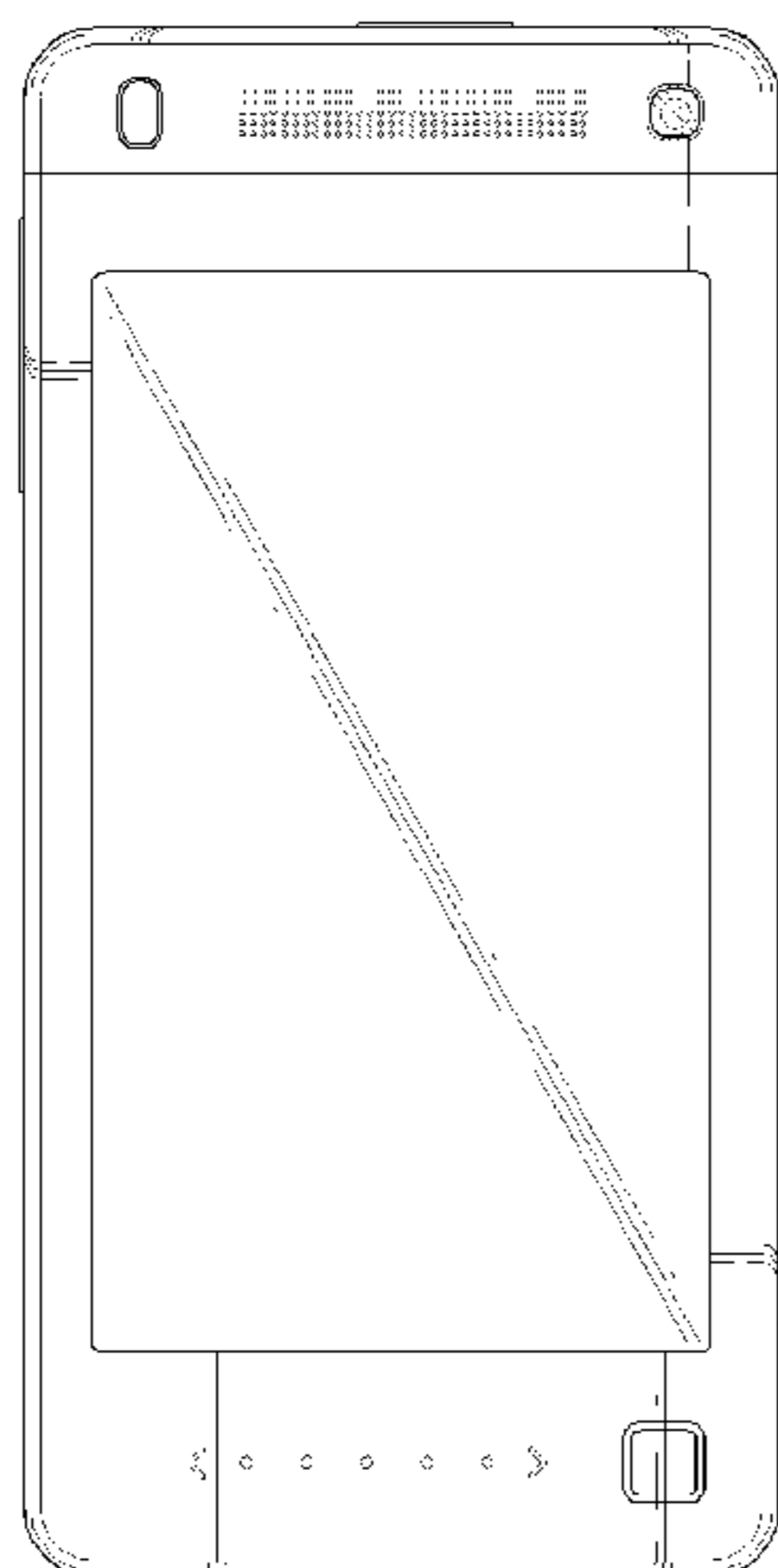
See application file for complete search history.

(56) **References Cited**

U.S. PATENT DOCUMENTS

- D506,937 S * 7/2005 Lee et al. D10/65
- D563,938 S * 3/2008 Kim et al. D14/138 AD
- D569,837 S * 5/2008 Baik et al. D14/138 G
- D577,350 S * 9/2008 Bang et al. D14/138 G
- D577,353 S * 9/2008 Kim et al. D14/138 AD
- D577,703 S * 9/2008 Lee et al. D14/138 G
- D577,704 S * 9/2008 Park et al. D14/138 AD
- D578,983 S * 10/2008 Bang et al. D14/138 AD
- D578,987 S * 10/2008 Lee et al. D14/138 AD
- D579,902 S * 11/2008 Kim et al. D14/138 AD

(Continued)



OTHER PUBLICATIONS

LG GD880 Mini, announced Feb. 2010, [online], [retrieved on Feb. 17, 2010]. Retrieved from Internet ,<URL: <http://www.gsmarena.com>>.*

(Continued)

Primary Examiner—Jeffrey D Asch

Assistant Examiner—Bridget L Eland

(74) *Attorney, Agent, or Firm*—NSIP Law

(57) **CLAIM**

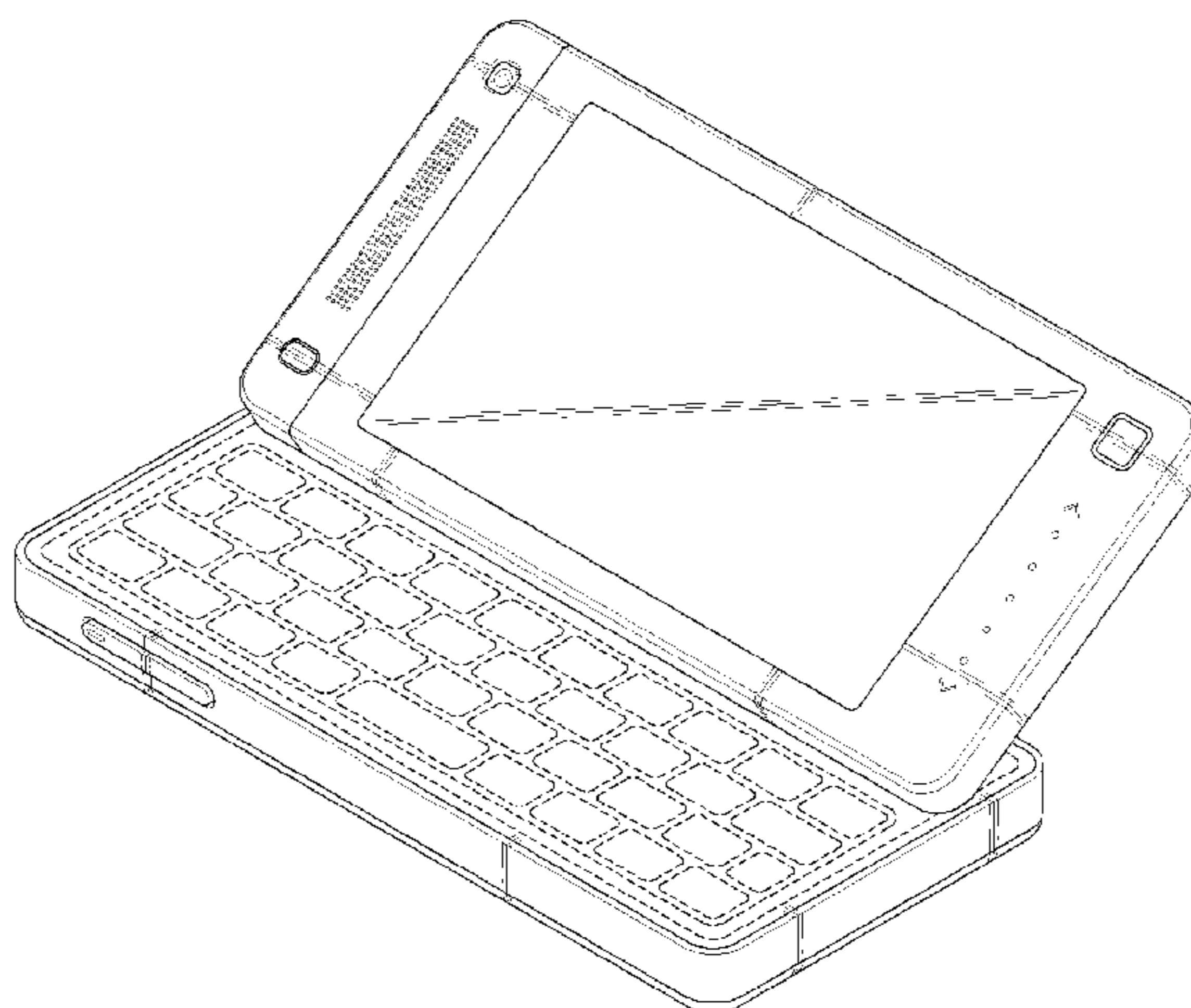
The ornamental design for a mobile phone, as shown and described.

DESCRIPTION

FIG. 1 is a perspective view of a mobile phone;
 FIG. 2 is a front view of the mobile phone of FIG. 1;
 FIG. 3 is a rear view of the mobile phone of FIG. 1;
 FIG. 4 is a left-side view of the mobile phone of FIG. 1;
 FIG. 5 is a right-side view of the mobile phone of FIG. 1;
 FIG. 6 is a top plan view of the mobile phone of FIG. 1;
 FIG. 7 is a bottom plan view of the mobile phone of FIG. 1;
 and,
 FIG. 8 is a perspective open view of the mobile phone of FIG. 1.

The broken lines immediately adjacent the shaded areas represent the bounds of the claimed design while all other broken lines are directed to environment and are for illustrative purposes only; the broken lines form no part of the claimed design.

1 Claim, 6 Drawing Sheets



US D622,248 S

Page 2

U.S. PATENT DOCUMENTS

D584,272 S * 1/2009 Chung et al. D14/138 G
D587,668 S * 3/2009 Bang et al. D14/138 AD
D589,487 S * 3/2009 Park et al. D14/138 AD
D591,252 S * 4/2009 Kim et al. D14/138 G
D592,628 S * 5/2009 Kim et al. D14/138 AD
D593,059 S * 5/2009 Kim et al. D14/138 G
D594,840 S * 6/2009 Kim et al. D14/138 G
D598,914 S * 8/2009 Song et al. D14/345
D600,690 S * 9/2009 Miyaji D14/341
D608,327 S * 1/2010 Cigliano et al. D14/138 AD
2007/0287512 A1* 12/2007 Kilpi et al. 455/575.1
2008/0051161 A1* 2/2008 Tashiro 455/575.1
2009/0111508 A1* 4/2009 Yeh et al. 455/552.1
2009/0131117 A1* 5/2009 Choi 455/566

2009/0286573 A1* 11/2009 Jang et al. 455/566
2010/0004027 A1* 1/2010 Jang et al. 455/566

OTHER PUBLICATIONS

Motorola Milestone, announced Nov. 2009, [online], [retrieved on Nov. 24, 2009]. Retrieved from Internet ,<URL: <http://www.gsmarena.com>>.*

Philips Xenium K700, announced Nov. 2009, [online], [retrieved on Dec. 7, 2009]. Retrieved from Internet ,<URL: <http://www.gsmarena.com>>.*

Samsung i900 Omnia, announced Jun. 2008, [online], [retrieved on Jun. 13, 2008]. Retrieved from Internet ,<URL: <http://www.gsmarena.com>>.*

* cited by examiner

FIG. 1

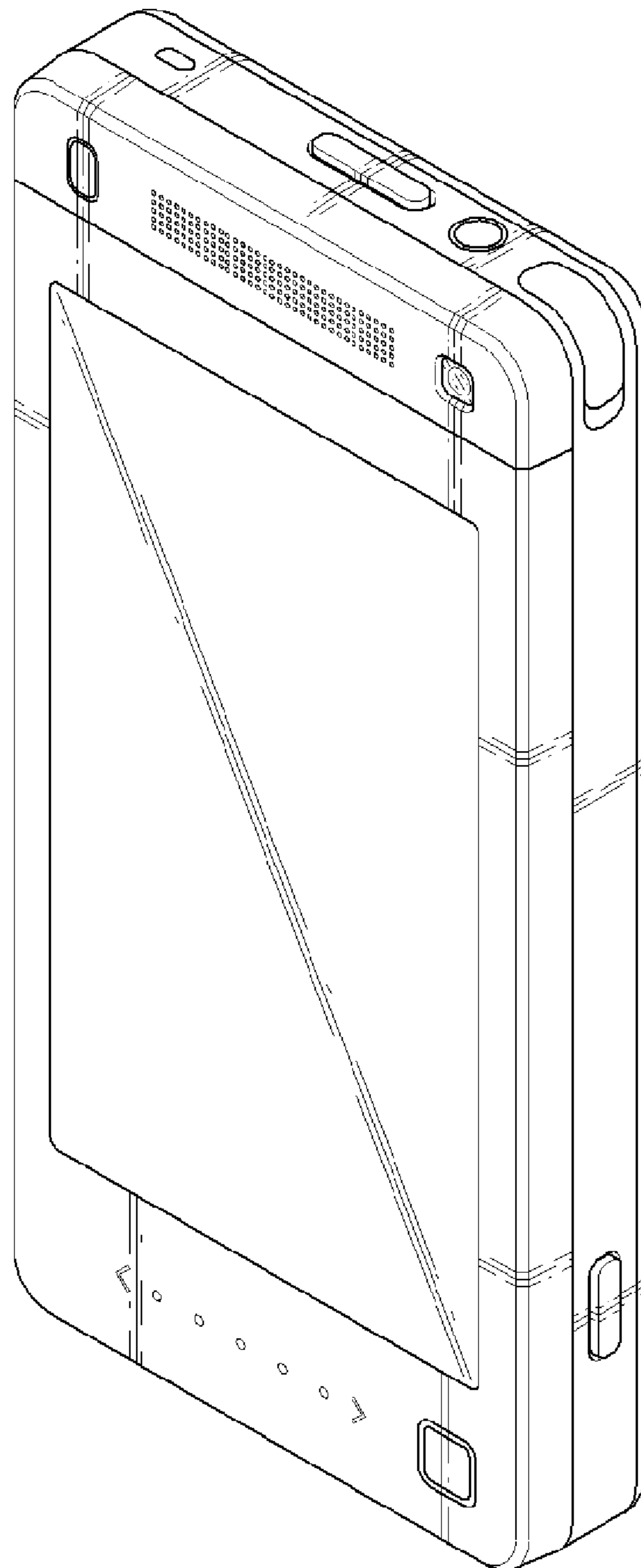


FIG. 2

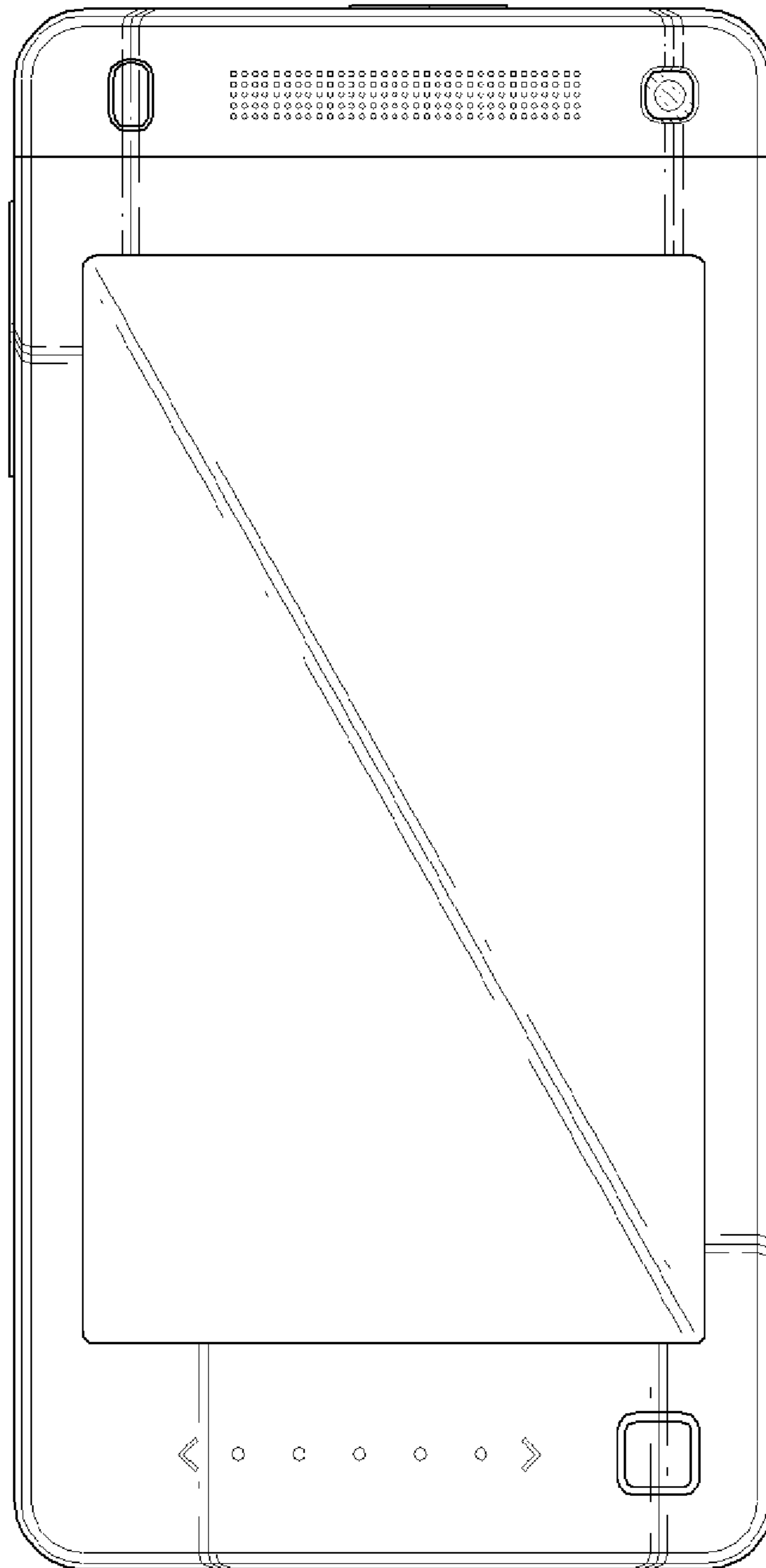


FIG. 3

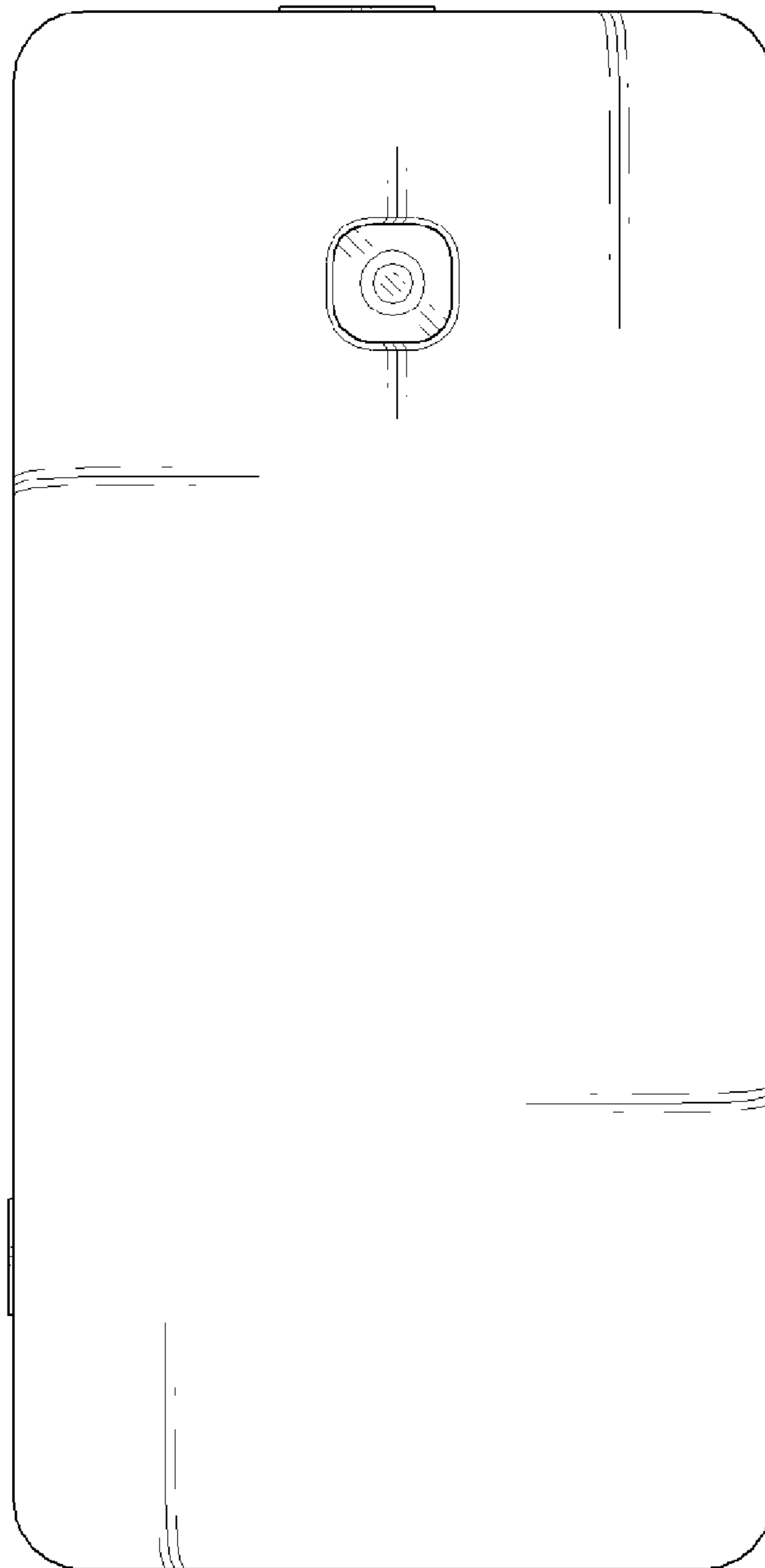


FIG. 4

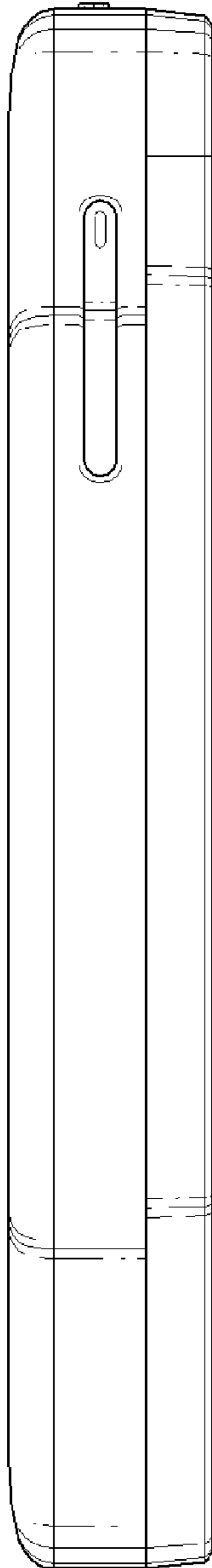


FIG. 5

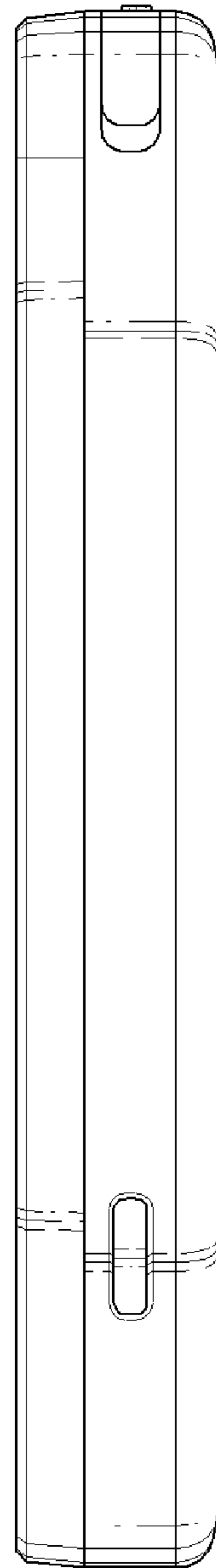


FIG. 6

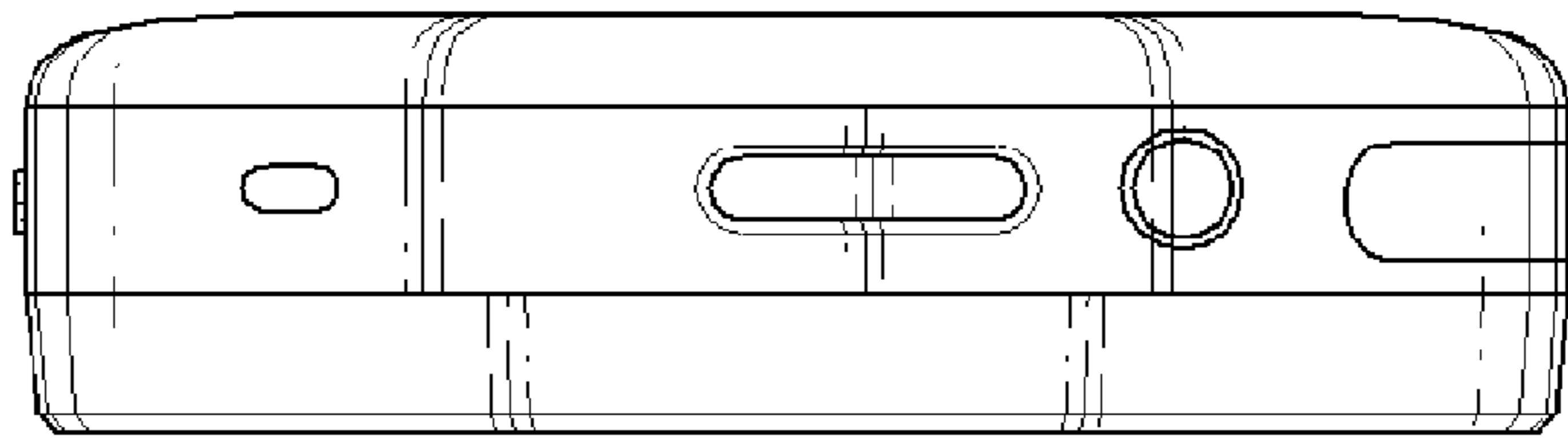


FIG. 7

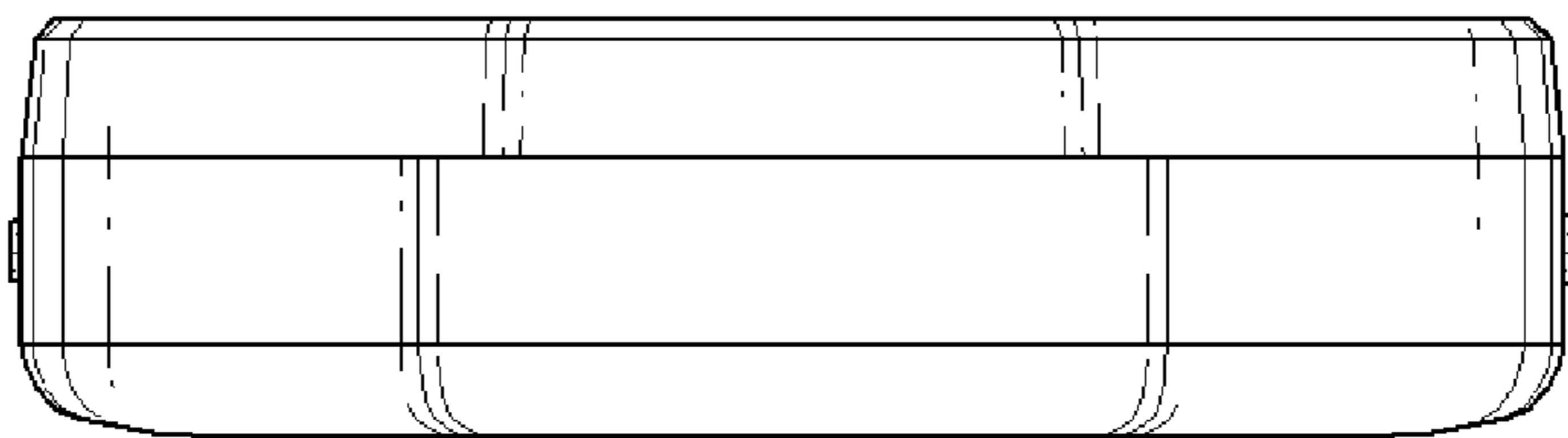


FIG. 8

