



(12) **United States Design Patent**
Okada et al.

(10) **Patent No.:** **US D622,245 S**
(45) **Date of Patent:** **** Aug. 24, 2010**

(54) **MOBILE PHONE**

(75) Inventors: **Norio Okada**, Tokyo (JP); **Jong-Seong Lee**, Seoul (KR); **Yusuru Masuda**, Tokyo (JP)

(73) Assignee: **Samsung Electronics Co., Ltd.**, Suwon-Si (KR)

(**) Term: **14 Years**

(21) Appl. No.: **29/346,744**

(22) Filed: **Nov. 5, 2009**

(30) **Foreign Application Priority Data**

Jul. 20, 2009 (KR) 30-2009-0031834

(51) **LOC (9) Cl.** **14-03**

(52) **U.S. Cl.** **D14/138 G; D14/341; D14/138 R; D21/331**

(58) **Field of Classification Search** D14/138 R, D14/138 AD, 138 AC, 138 C, 138 G, 191, D14/203.1-203.8, 496, 138 AA, 138 AB, D14/247-248, 137, 147, 218, 341-347; D10/65, D10/78, 104; D13/168; D18/7; D21/324, D21/329, 331, 333; 455/566, 575.1, 575.3
See application file for complete search history.

(56) **References Cited**

U.S. PATENT DOCUMENTS

- D417,201 S * 11/1999 Davis D14/343
- D479,214 S * 9/2003 Bertrand et al. D14/138 AD
- D494,151 S * 8/2004 Walliser et al. D14/138 G
- D498,737 S * 11/2004 Park et al. D14/138 G
- D512,393 S * 12/2005 Lee et al. D14/138 AD
- D527,000 S * 8/2006 Hong et al. D14/346
- D529,493 S * 10/2006 Ogasawara D14/356
- D530,699 S * 10/2006 Lee et al. D14/138 G
- D531,612 S * 11/2006 Kim et al. D14/138 AD
- D533,531 S * 12/2006 Hyun et al. D14/138 AD

- D543,528 S * 5/2007 Kim et al. D14/138 AB
- D546,799 S * 7/2007 Kim et al. D14/138 G
- D549,203 S * 8/2007 Kim et al. D14/138 AC
- D550,192 S * 9/2007 Kim et al. D14/138 AD
- D554,635 S * 11/2007 Chung et al. D14/341
- D555,131 S * 11/2007 Kim et al. D14/138 AD
- D558,174 S * 12/2007 Lee D14/138 AD

(Continued)

OTHER PUBLICATIONS

HP iPAQ Data Messenger, announced Oct. 2008, [online], [retrieved on Nov. 8, 2008]. Retrieved from Internet ,<URL: <http://www.gsmarena.com>>.*

(Continued)

Primary Examiner—Jeffrey D Asch
Assistant Examiner—Bridget L Eland
(74) *Attorney, Agent, or Firm*—Staas & Halsey LLP

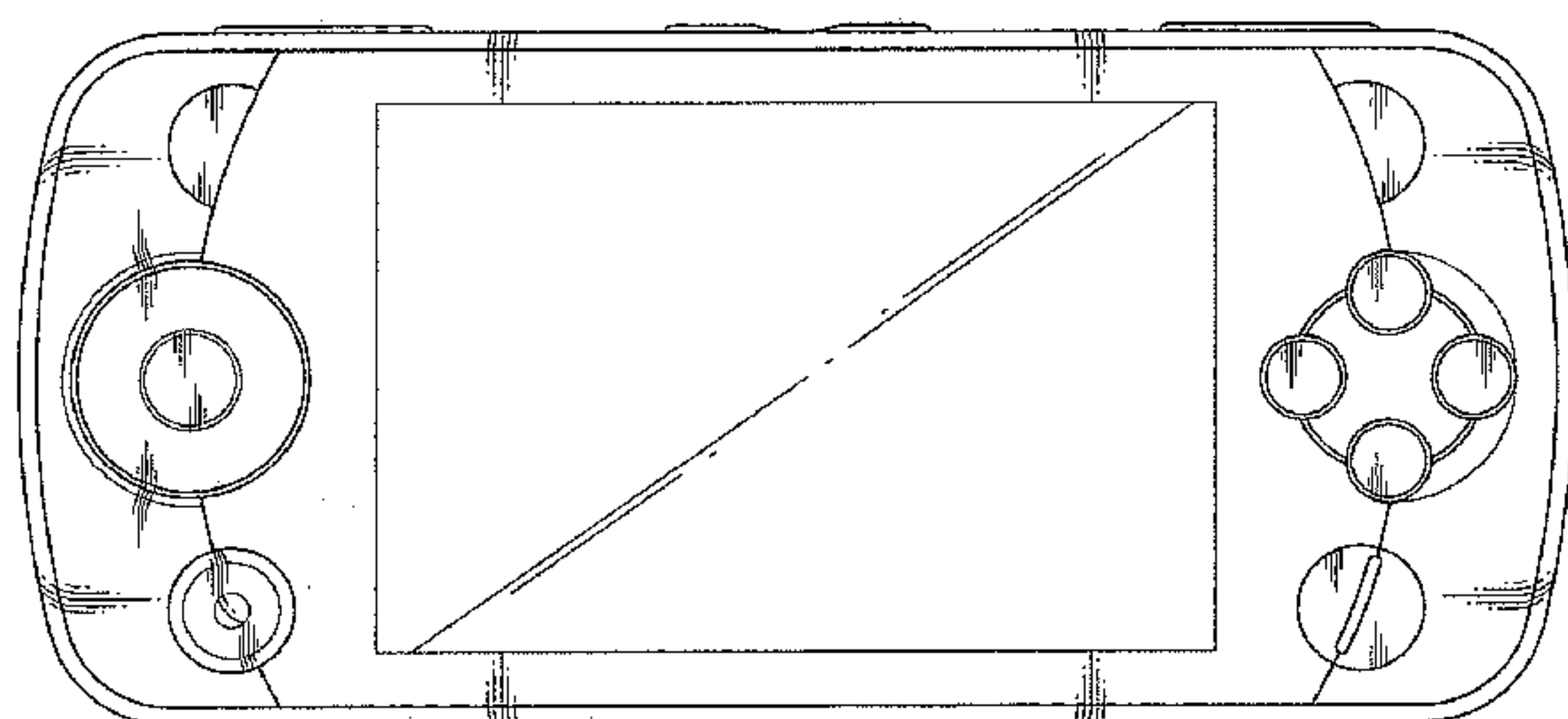
(57) **CLAIM**

The ornamental design for a mobile phone, as shown and described.

DESCRIPTION

FIG. 1 is a front perspective view of a mobile phone;
FIG. 2 is a front view of the mobile phone of FIG. 1;
FIG. 3 is a rear view of the mobile phone of FIG. 1;
FIG. 4 is a left-side view of the mobile phone of FIG. 1;
FIG. 5 is a right-side view of the mobile phone of FIG. 1;
FIG. 6 is a top plan view of the mobile phone of FIG. 1; and,
FIG. 7 is a bottom plan view of the mobile phone of FIG. 1.

1 Claim, 3 Drawing Sheets



US D622,245 S

Page 2

U.S. PATENT DOCUMENTS

D560,644 S * 1/2008 Choi et al. D14/138 AD
D564,491 S * 3/2008 Kim et al. D14/138 AD
D571,800 S * 6/2008 Tamaki et al. D14/345
7,558,057 B1 * 7/2009 Naksen et al. 361/679.56
2005/0078443 A1 * 4/2005 Lee et al. 361/683
2005/0107119 A1 * 5/2005 Lee et al. 455/556.1
2007/0184786 A1 * 8/2007 Kim 455/90.3

2009/0117953 A1* 5/2009 Oh 455/575.1
2009/0117955 A1* 5/2009 Lo 455/575.3

OTHER PUBLICATIONS

Motorola A920, announced 2003, [online], [retrieved on Feb. 16, 2007]. Retrieved from Internet ,<URL: <http://www.gsmarena.com>>.*

* cited by examiner

FIG. 1

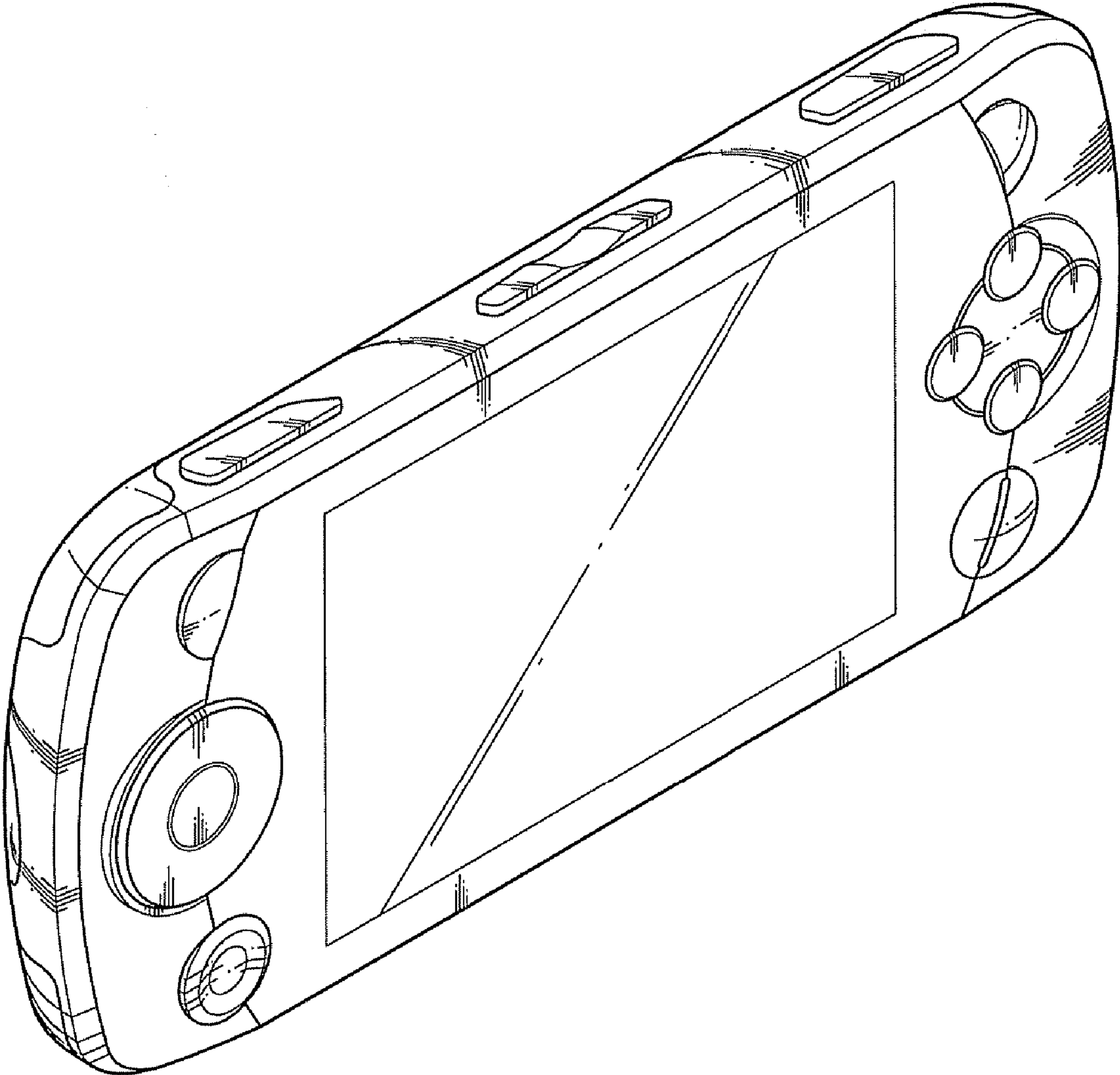


FIG. 2

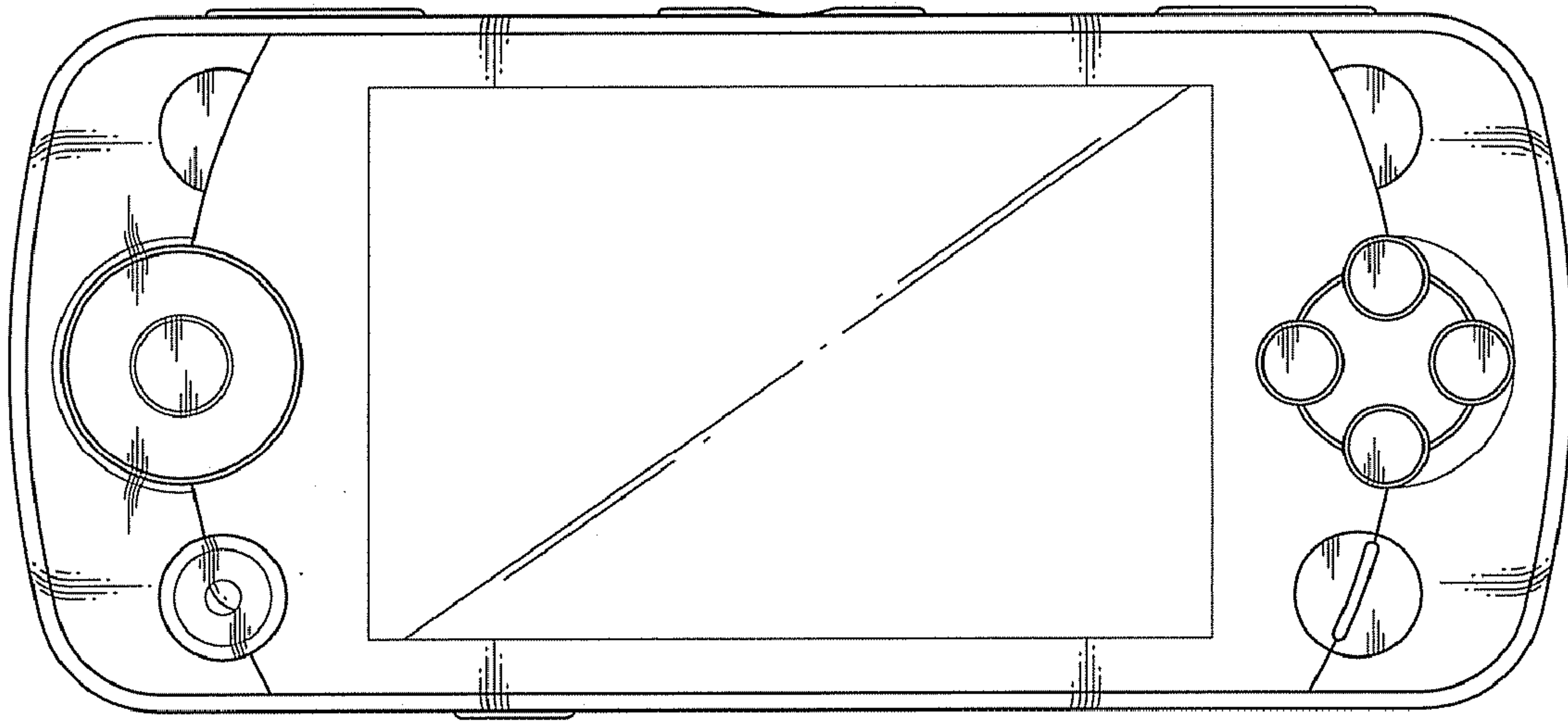


FIG. 3

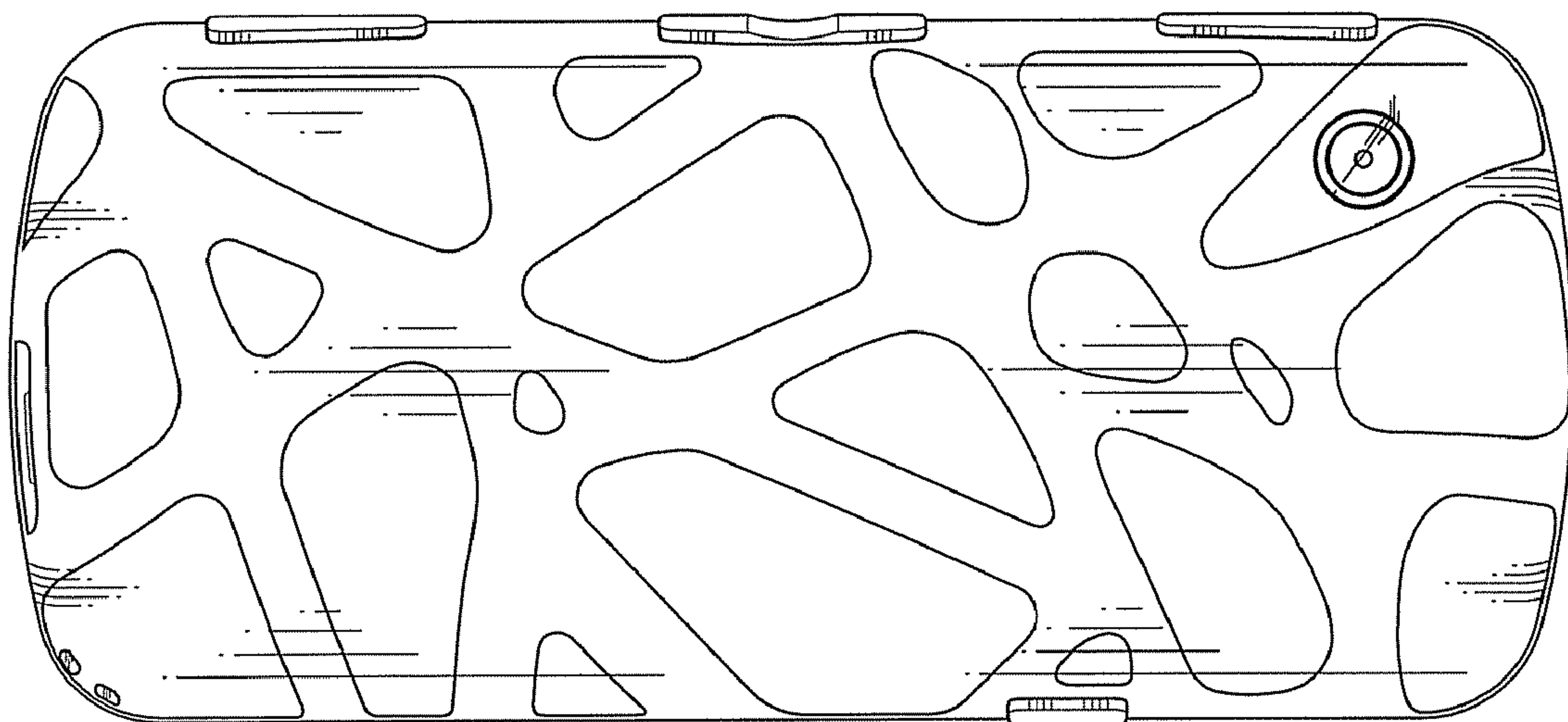


FIG. 4

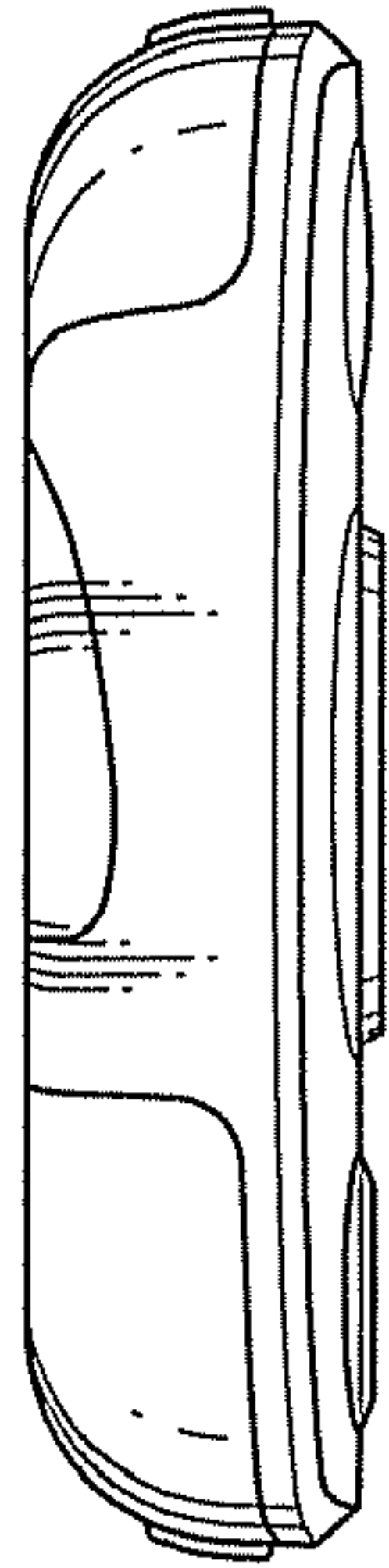


FIG. 5

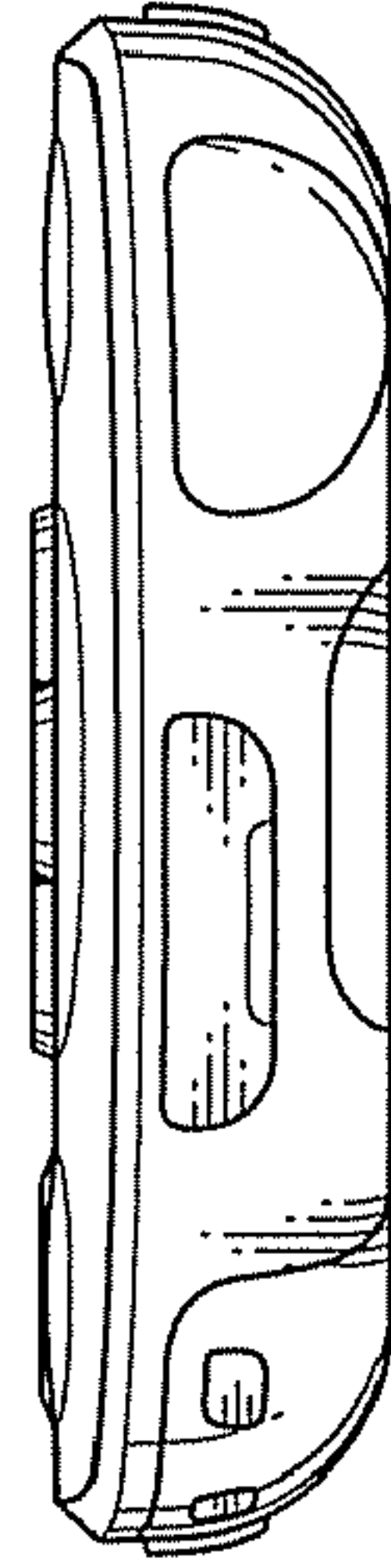


FIG. 6

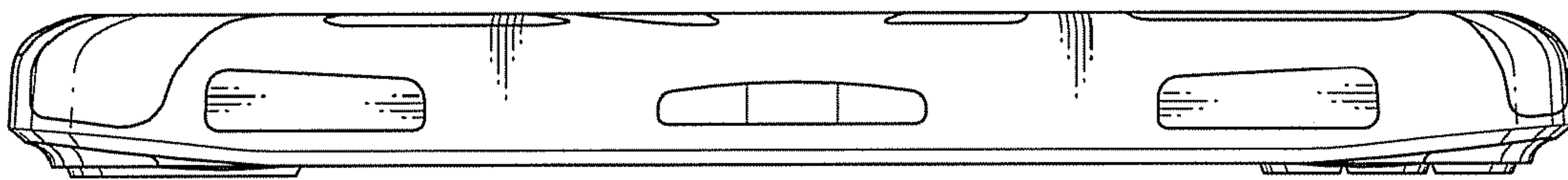


FIG. 7

