



US00D622239S

(12) **United States Design Patent**
Liu et al.

(10) **Patent No.:** **US D622,239 S**
(45) **Date of Patent:** **** Aug. 24, 2010**

(54) **DIGITAL TV**

(75) Inventors: **Gang Liu**, Guangdong Province (CN);
Li Xiaohui, Guangdong Province (CN)

(73) Assignee: **Shenzhen Act Industrial Co., Ltd.** (CN)

(**) Term: **14 Years**

(21) Appl. No.: **29/356,318**

(22) Filed: **Feb. 24, 2010**

(30) **Foreign Application Priority Data**

Dec. 31, 2009 (CN) 2009 3 0290105

(51) **LOC (9) Cl.** **14-03**

(52) **U.S. Cl.** **D14/126**

(58) **Field of Classification Search** D14/125-134,
D14/239, 371, 136, 374-377, 440, 450, 448,
D14/336, 342; 312/7.2; 348/836, 838, 180,
348/184, 325, 739; 341/12; 248/917-924,
248/465; 345/104, 133, 156, 168, 87, 173;
720/605, 669, 600, 655; 369/99, 197; 455/344-347;
D21/329, 515, 577, 622, 333, 433, 448, 452,
D21/450, 331; D6/477, 479, 300; 273/148 B;
446/484, 175, 356; D10/15, 26
See application file for complete search history.

(56) **References Cited**

U.S. PATENT DOCUMENTS

D383,400 S * 9/1997 Wada D10/65
D502,152 S * 2/2005 Peng D14/126

D506,733 S * 6/2005 Boyer, Jr. D14/126
7,019,794 B2 * 3/2006 Norvell et al. 348/838
D540,283 S * 4/2007 Tsai D14/126
D541,239 S * 4/2007 Tsai D14/126
D541,769 S * 5/2007 Hoehn et al. D14/126
D541,771 S * 5/2007 Chung D14/126
D548,207 S * 8/2007 Hsiung D14/129
D550,174 S * 9/2007 Deguchi D14/126
D555,612 S * 11/2007 Sukenari et al. D14/126
D561,129 S * 2/2008 Hsiung D14/126
D562,789 S * 2/2008 Huang et al. D14/126
D571,747 S * 6/2008 Chu D14/126
D572,675 S * 7/2008 Qiu et al. D14/126
D576,119 S * 9/2008 Shih et al. D14/126
D608,746 S * 1/2010 Tu D14/126

* cited by examiner

Primary Examiner—Raphael Barkai

(57) **CLAIM**

The ornamental design for a digital TV, as shown.

DESCRIPTION

FIG. 1 is a front elevational view of a digital TV showing our new design;

FIG. 2 is a rear elevational view thereof;

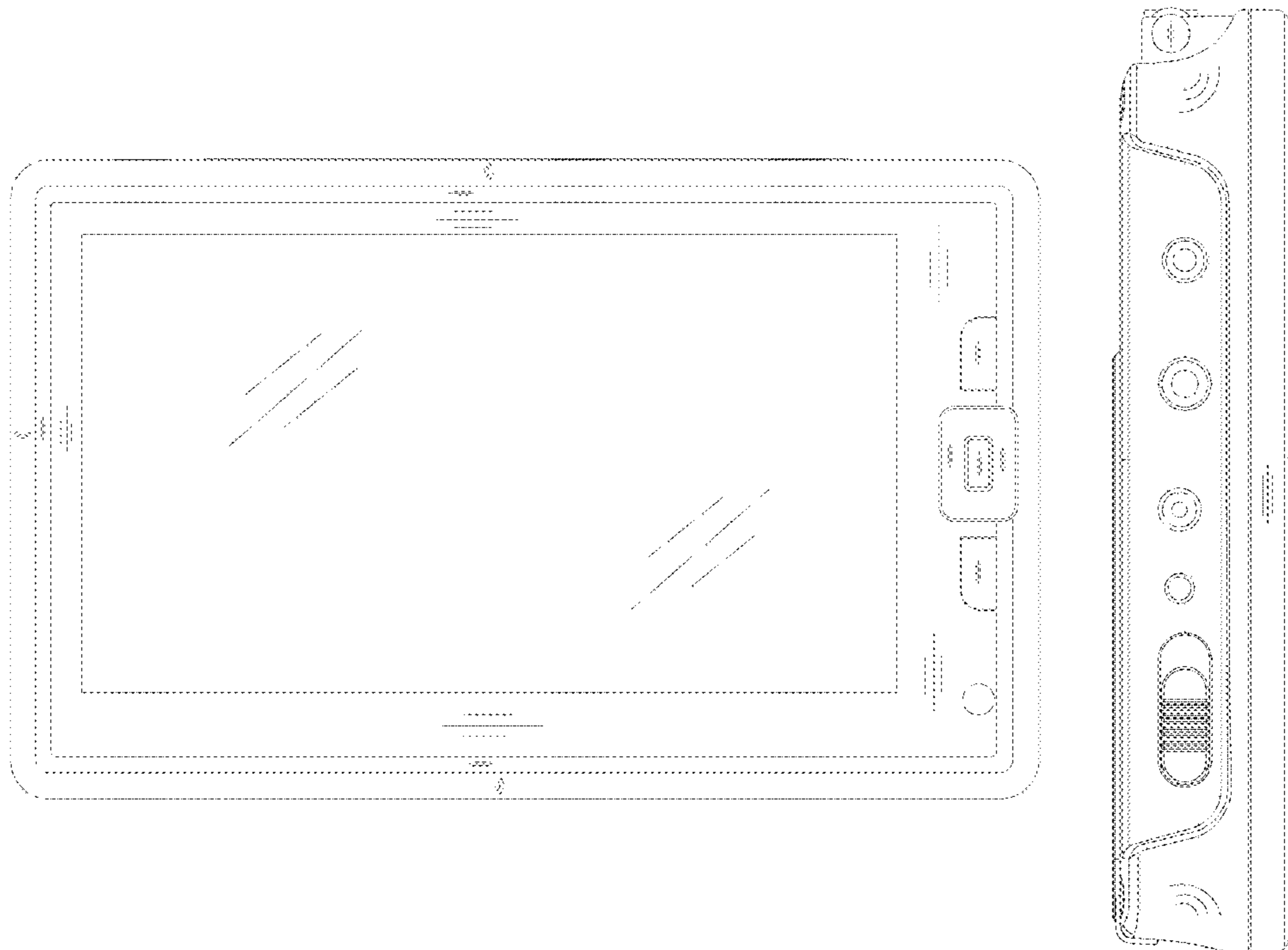
FIG. 3 is a left side view thereof;

FIG. 4 is a right side view thereof;

FIG. 5 is a top plan view thereof; and,

FIG. 6 is a bottom plan view thereof.

1 Claim, 5 Drawing Sheets



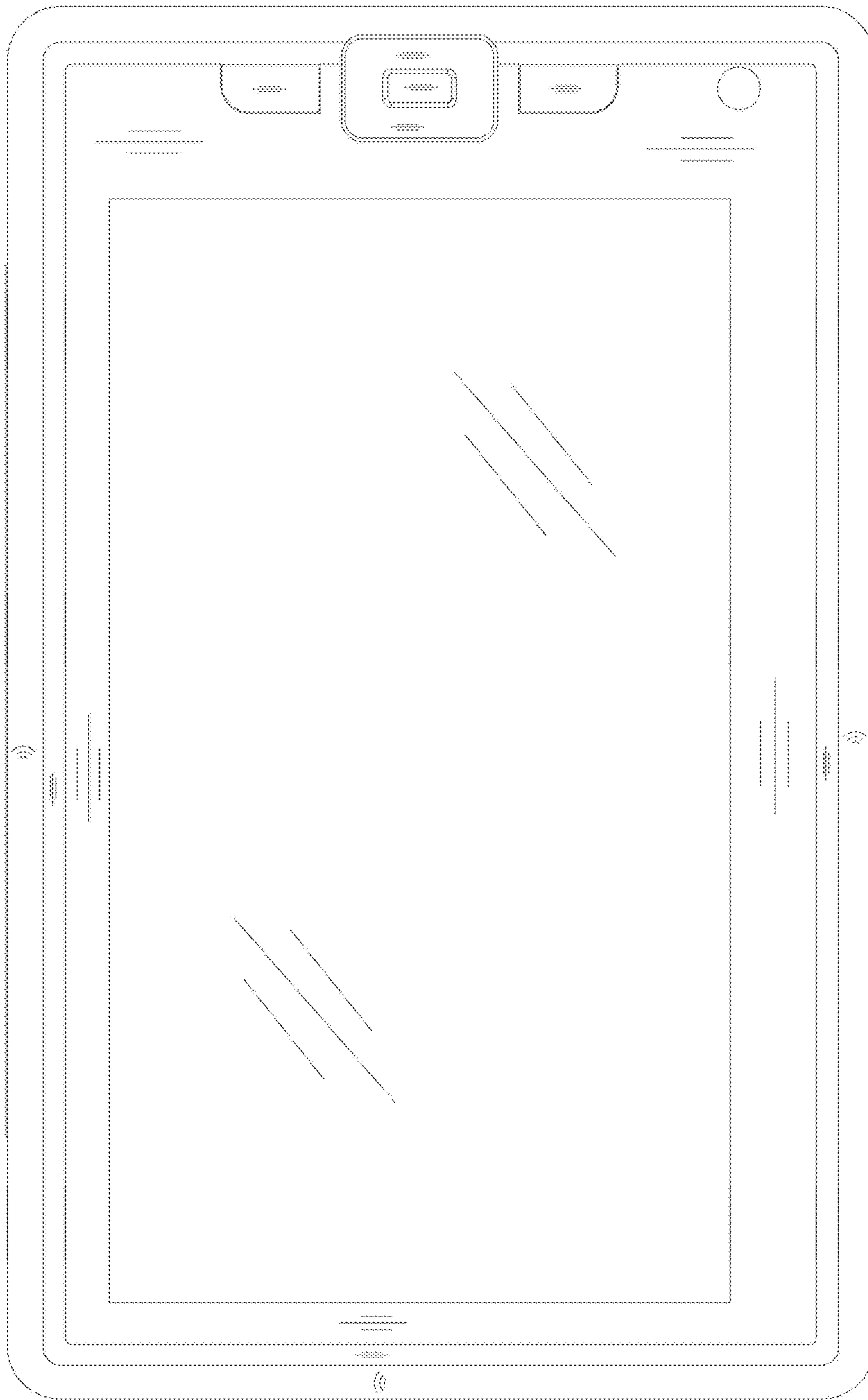


FIG. 1

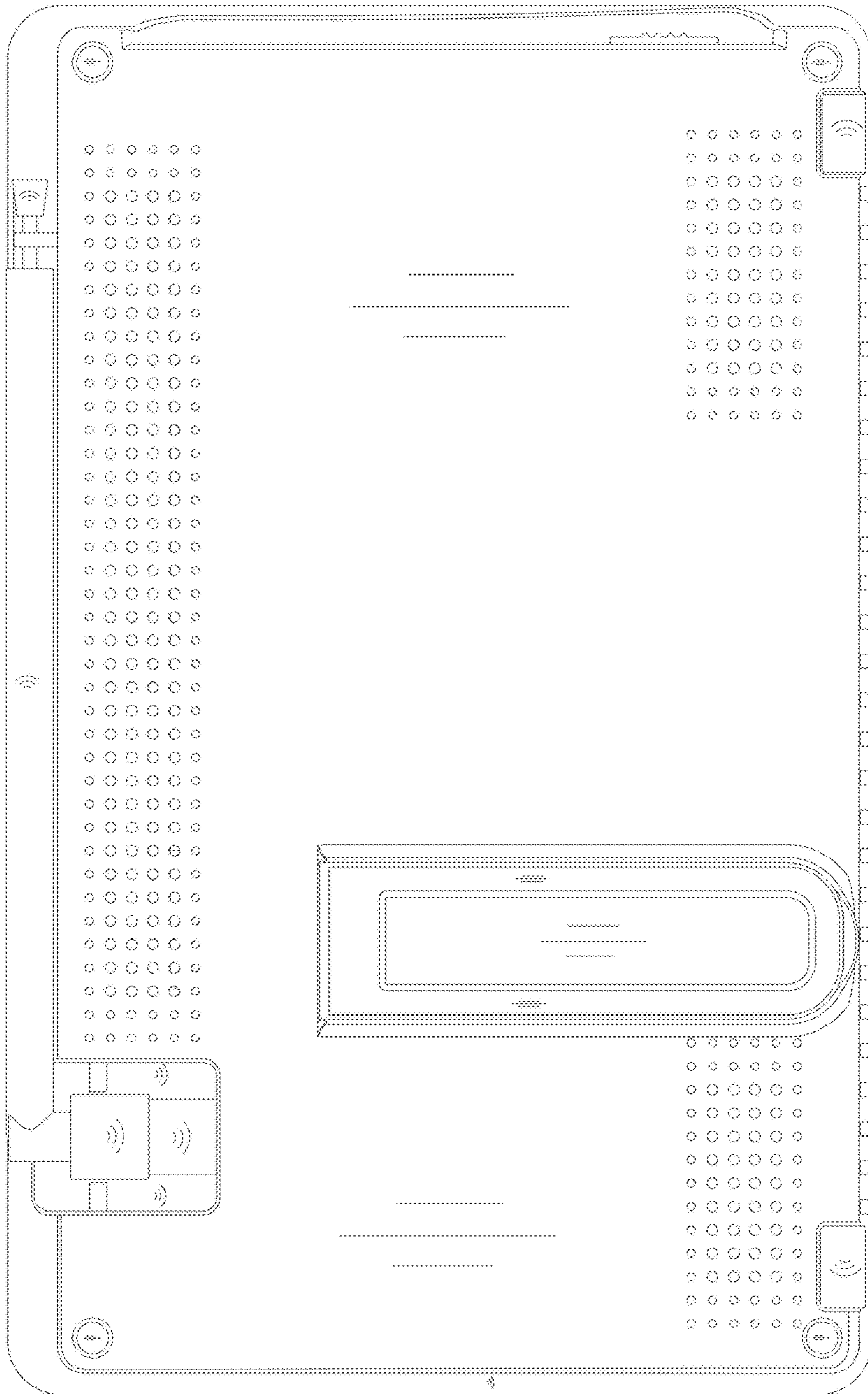


FIG. 2

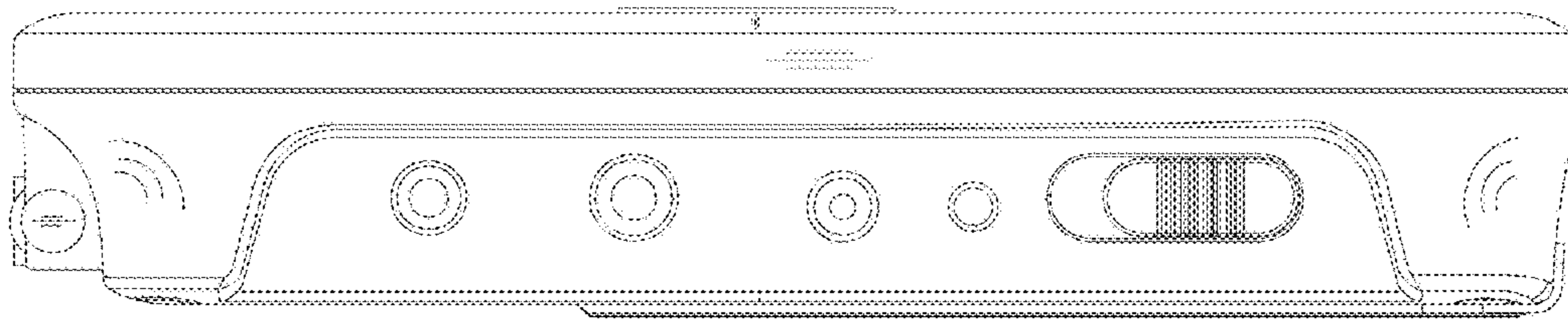


FIG. 3

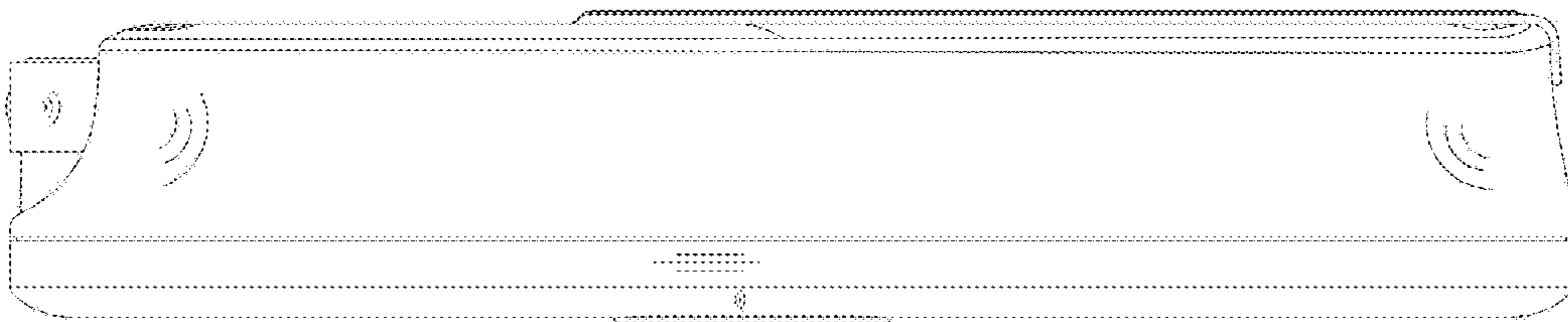


FIG. 4

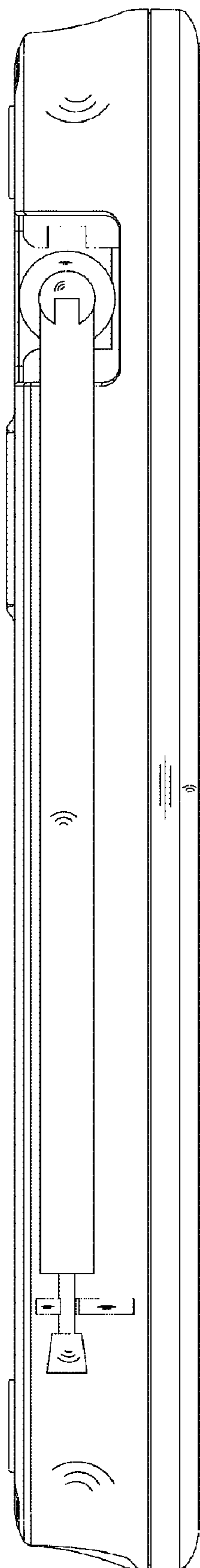


FIG. 5

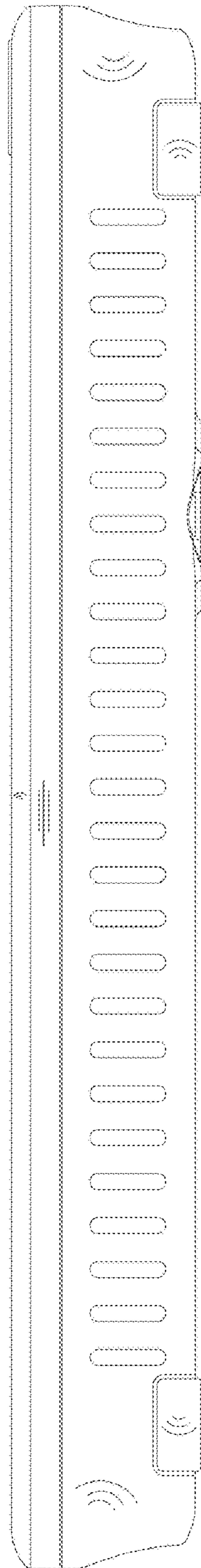


FIG. 6