



US00D622235S

(12) **United States Design Patent**
Lee et al.

(10) **Patent No.:** **US D622,235 S**
(45) **Date of Patent:** **** Aug. 24, 2010**

(54) **TV SET**

(75) Inventors: **Jung-Hyun Lee**, Seoul (KR); **Yun-Je Kang**, Yongin-si (KR)

(73) Assignee: **Samsung Electronics Co., Ltd.**, Suwon-Si (KR)

(**) Term: **14 Years**

(21) Appl. No.: **29/353,634**

(22) Filed: **Jan. 12, 2010**

(30) **Foreign Application Priority Data**

Oct. 19, 2009 (KR) 30-2009-0046016

(51) **LOC (9) Cl.** **14-03**

(52) **U.S. Cl.** **D14/126**

(58) **Field of Classification Search** D14/125-134, D14/239, 371, 136, 374-377, 440, 450, 448, D14/336, 342; 312/7.2; 348/836, 838, 180, 348/184, 325, 739; 341/12; 248/917-924, 248/465; 345/104, 133, 156, 168, 87, 173; 720/605, 669, 600, 655; 369/99, 197; 455/344, 455/347; D21/329, 515, 577, 622, 333, 433, D21/448, 452, 450, 331; D6/477, 479, 300; 273/148 B; 446/484, 175, 356; D10/15, D10/26

See application file for complete search history.

(56) **References Cited**

U.S. PATENT DOCUMENTS

D531,143 S *	10/2006	Hong	D14/126
D567,202 S *	4/2008	Rieu Piquet	D14/126
D572,683 S *	7/2008	Won et al.	D14/126
D576,974 S *	9/2008	Kim et al.	D14/126
D589,477 S *	3/2009	Quaglio	D14/126
D593,974 S *	6/2009	Yang et al.	D14/126

* cited by examiner

Primary Examiner—Raphael Barkai

(74) *Attorney, Agent, or Firm*—Staas & Halsey LLP

(57) **CLAIM**

The ornamental design for a TV set, as shown and described.

DESCRIPTION

FIG. 1 is a front perspective view of a TV set;
FIG. 2 is a front view of the TV set of FIG. 1;
FIG. 3 is a rear view of the TV set of FIG. 1;
FIG. 4 is a left-side view of the TV set of FIG. 1;
FIG. 5 is a right-side view of the TV set of FIG. 1;
FIG. 6 is a top plan view of the TV set of FIG. 1; and,
FIG. 7 is a bottom plan view of the TV set of FIG. 1.

1 Claim, 7 Drawing Sheets

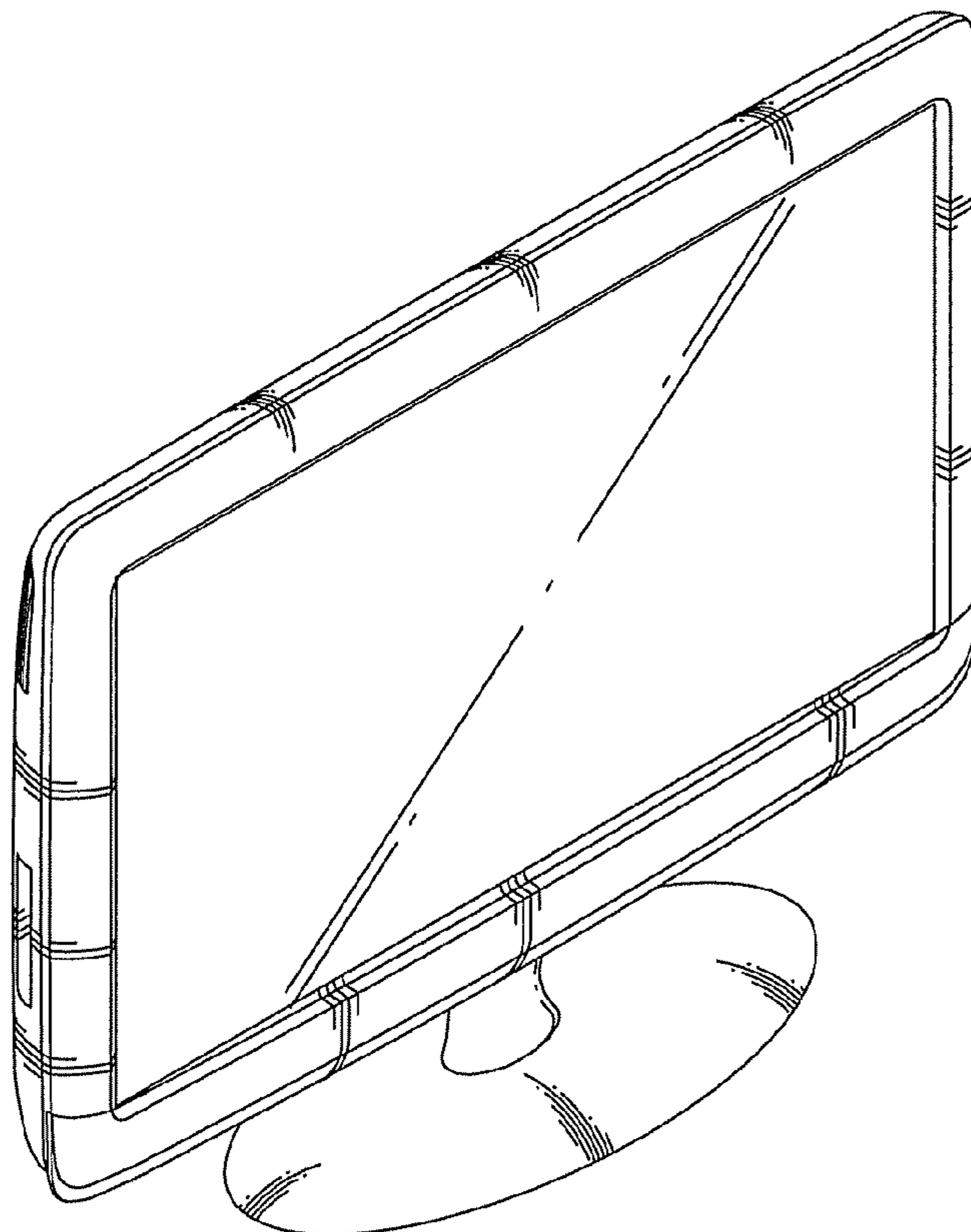


FIG. 1

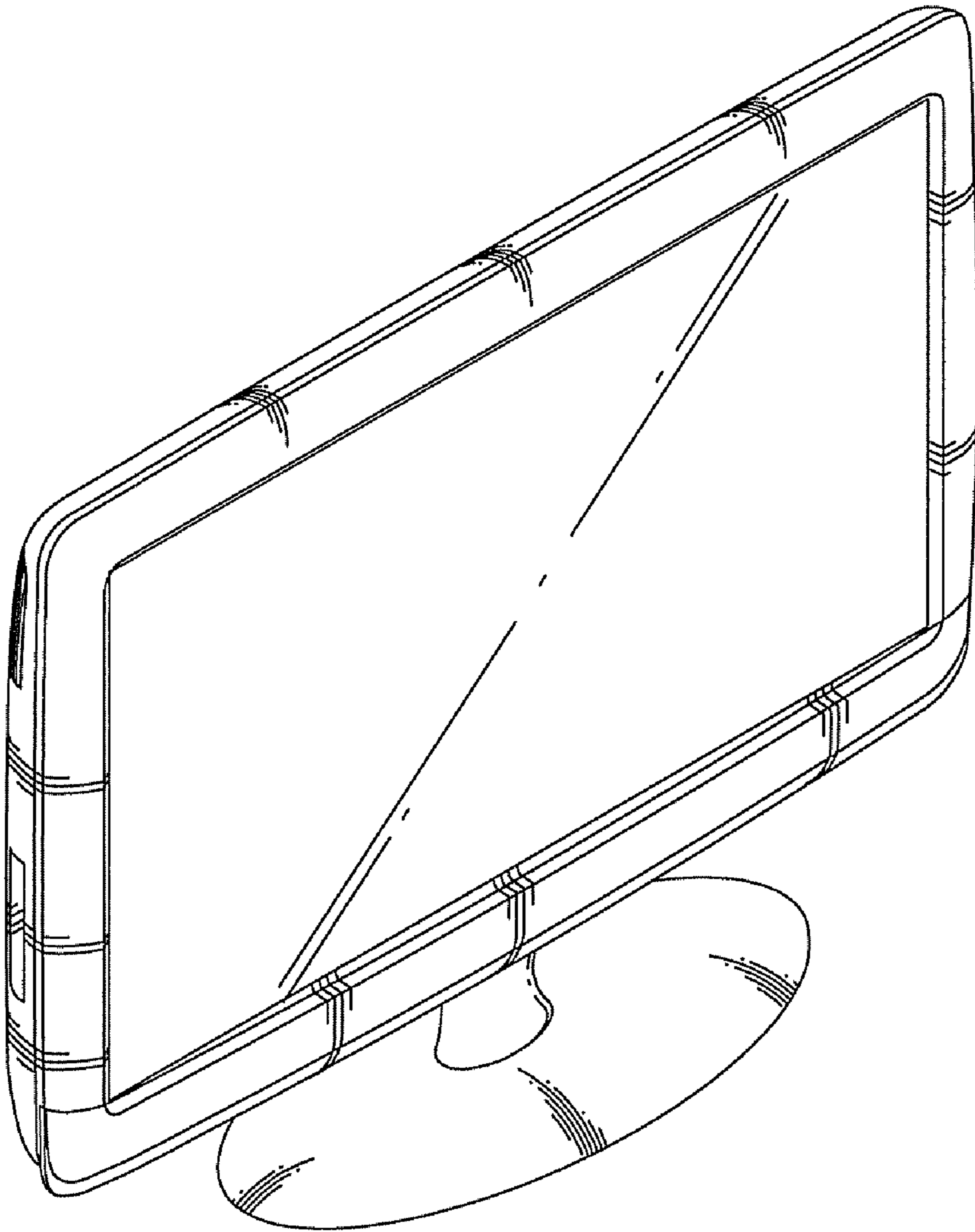


FIG. 2

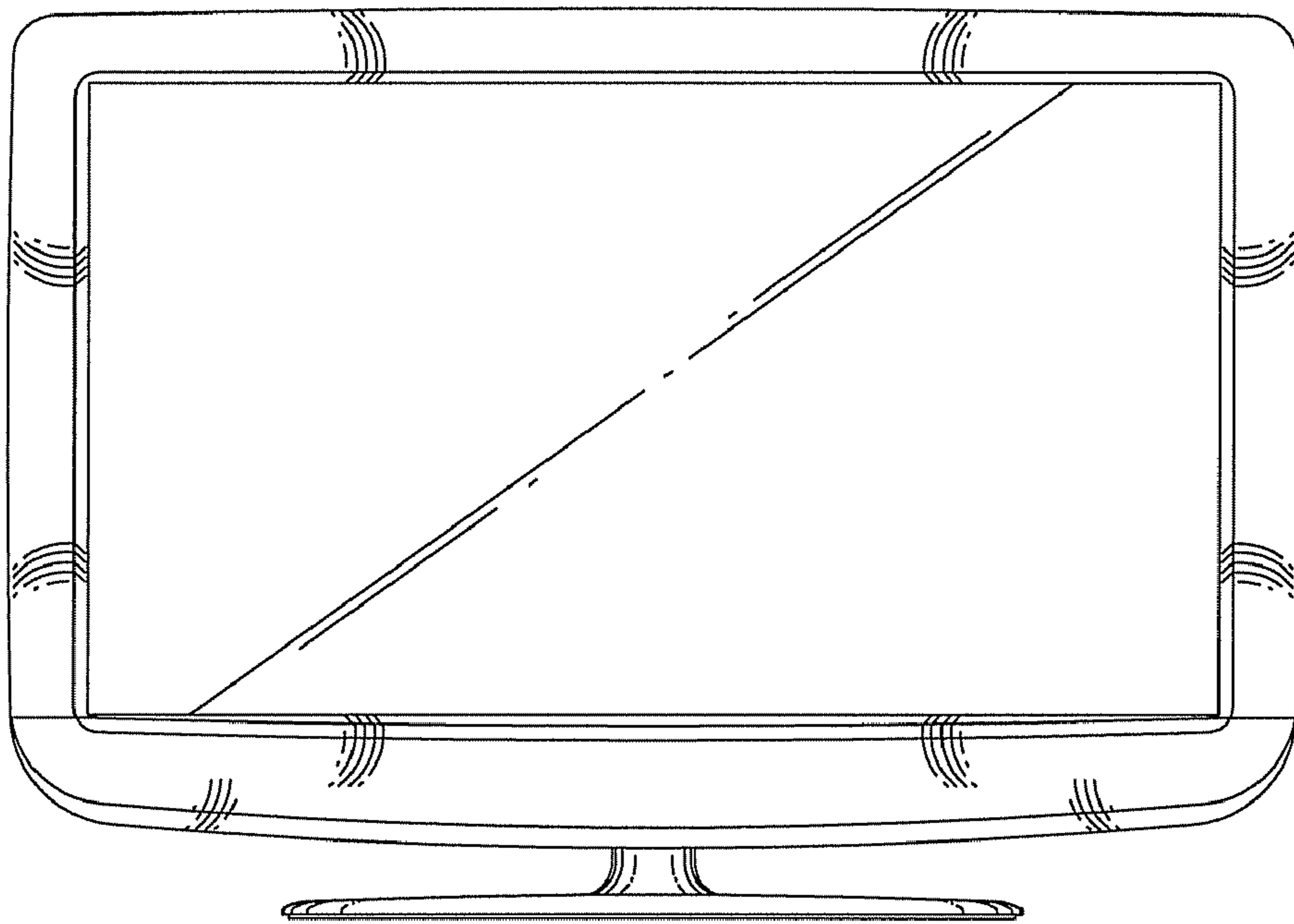


FIG. 3

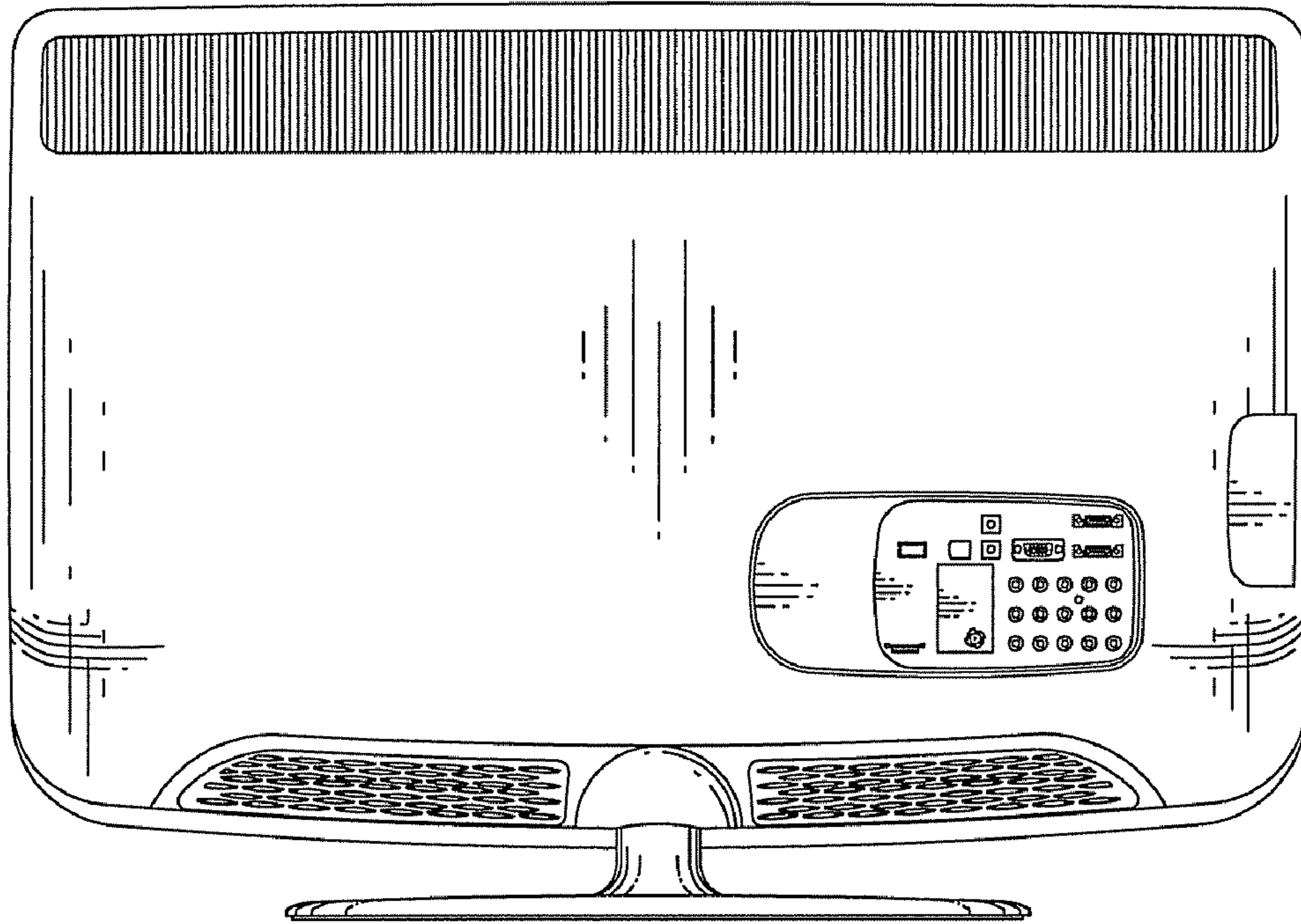


FIG. 4

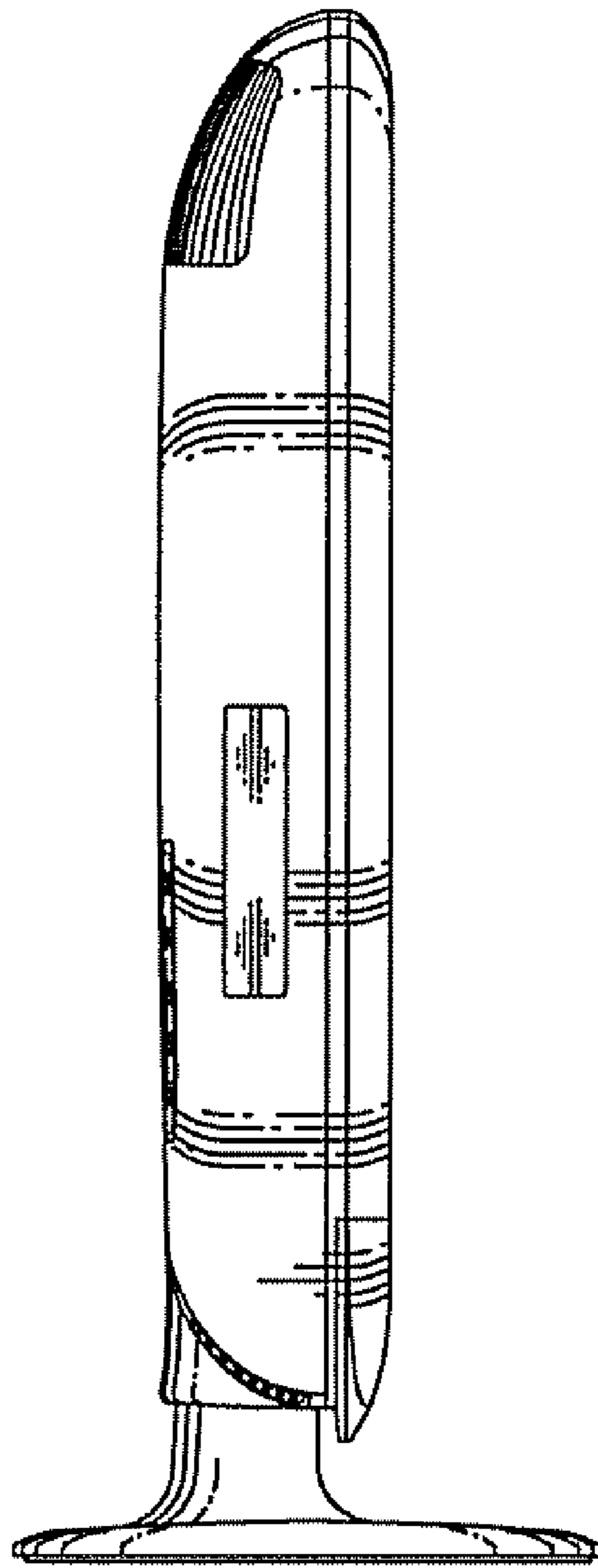


FIG. 5

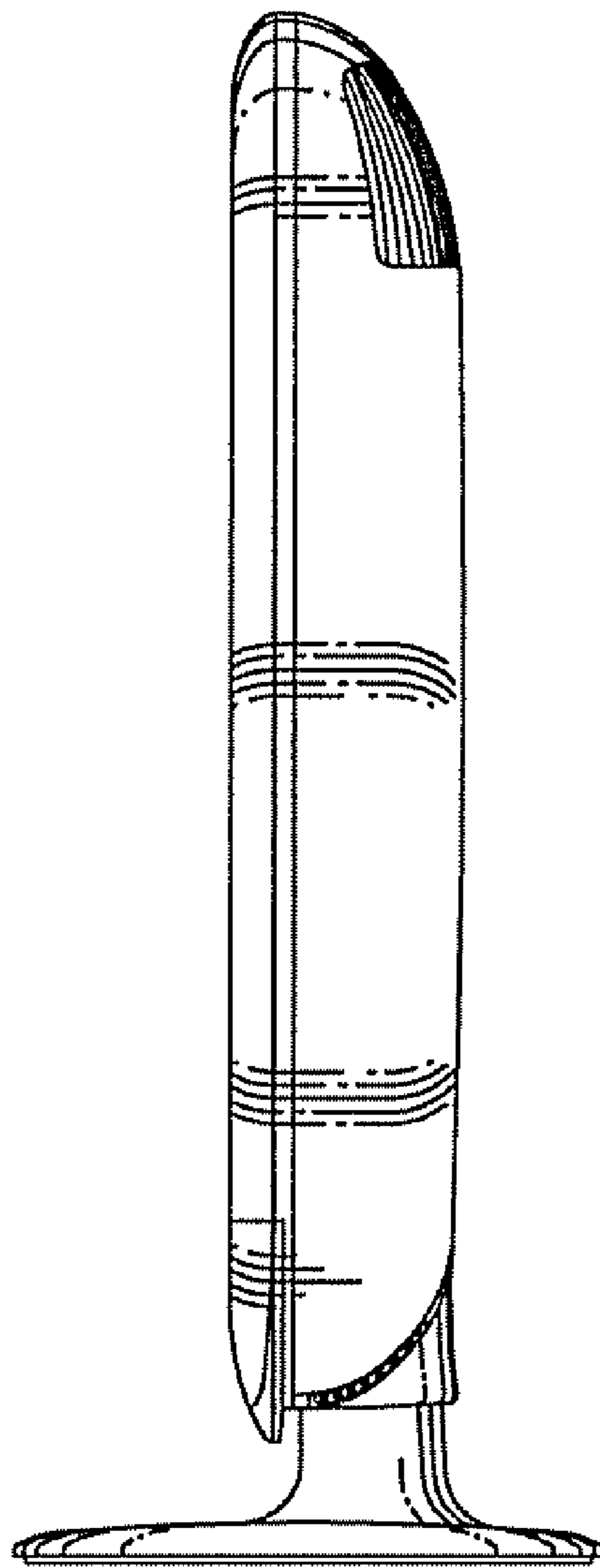


FIG. 6

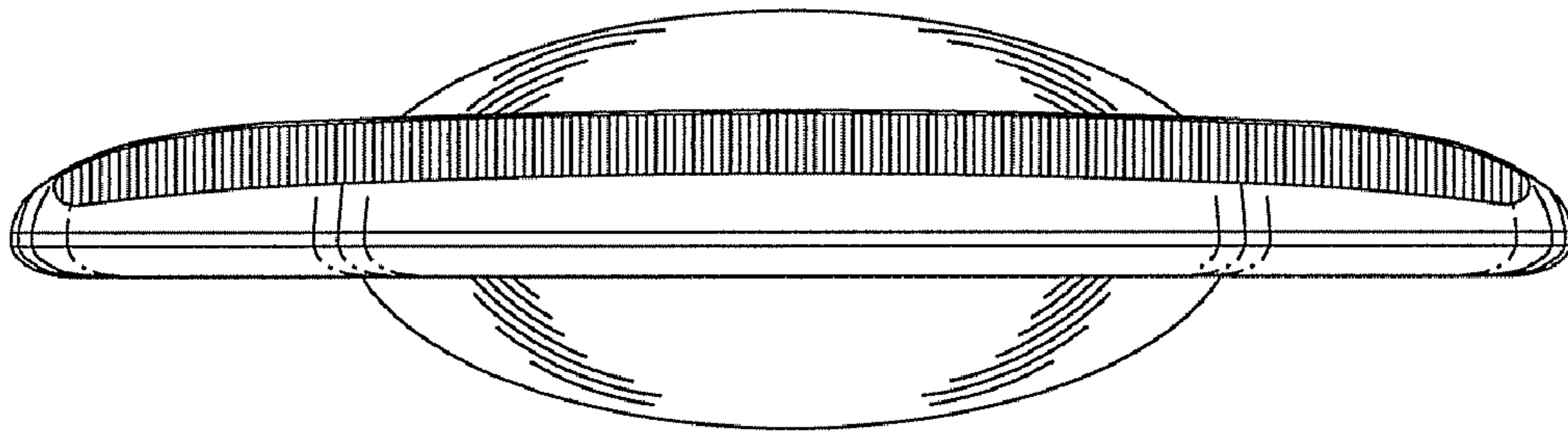


FIG. 7

