



US00D622232S

(12) **United States Design Patent**
Lai et al.

(10) **Patent No.:** **US D622,232 S**
(45) **Date of Patent:** **** Aug. 24, 2010**

(54) **LIGHT EMITTING DIODE**

(75) Inventors: **Chih-Ming Lai**, Miao-Li Hsien (TW);
Ming-Young Shiao, Miao-Li Hsien
(TW); **Hong-Bin Yang**, Miao-Li Hsien
(TW)

(73) Assignee: **Foxsemicon Integrated Technology,
Inc.**, Chu-Nan, Miao-Li Hsien (TW)

(**) Term: **14 Years**

(21) Appl. No.: **29/353,200**

(22) Filed: **Jan. 5, 2010**

(30) **Foreign Application Priority Data**

Oct. 26, 2009 (CN) 2009 3 0321316

(51) **LOC (9) Cl.** **13-03**

(52) **U.S. Cl.** **D13/180**

(58) **Field of Classification Search** D13/180;
D26/2; 257/79, 80, 81, 88, 89, 95, 98, 99,
257/100, E33.058; 313/483, 498, 500; 362/555,
362/800

See application file for complete search history.

(56) **References Cited**

U.S. PATENT DOCUMENTS

6,061,160 A * 5/2000 Maruyama 398/201
D477,580 S * 7/2003 Kamada D13/182
D491,899 S * 6/2004 Yagi D13/180
7,385,227 B2 * 6/2008 Mok et al. 257/98

D576,966 S * 9/2008 Ng et al. D13/180
7,514,724 B2 * 4/2009 Ng et al. 257/99
D596,593 S * 7/2009 Yong et al. D13/180
D611,011 S * 3/2010 Ariizumi D13/180
7,675,145 B2 * 3/2010 Wong et al. 257/676
2004/0201028 A1 * 10/2004 Waitl et al. 257/99
2005/0127816 A1 * 6/2005 Sumitani 313/498
2007/0063321 A1 * 3/2007 Han et al. 257/675
2007/0145403 A1 * 6/2007 Tomioka et al. 257/99
2007/0252250 A1 * 11/2007 Hui et al. 257/672
2008/0001160 A1 * 1/2008 Andrews 257/79
2009/0065799 A1 * 3/2009 Kim et al. 257/99

* cited by examiner

Primary Examiner—Selina Sikder

(74) *Attorney, Agent, or Firm*—Raymond J. Chew

(57) **CLAIM**

The ornamental design for a light emitting diode, as shown.

DESCRIPTION

FIG. 1 is a perspective view of a light emitting diode in one operational state.

FIG. 2 is a front elevational view thereof.

FIG. 3 is a rear elevational view thereof.

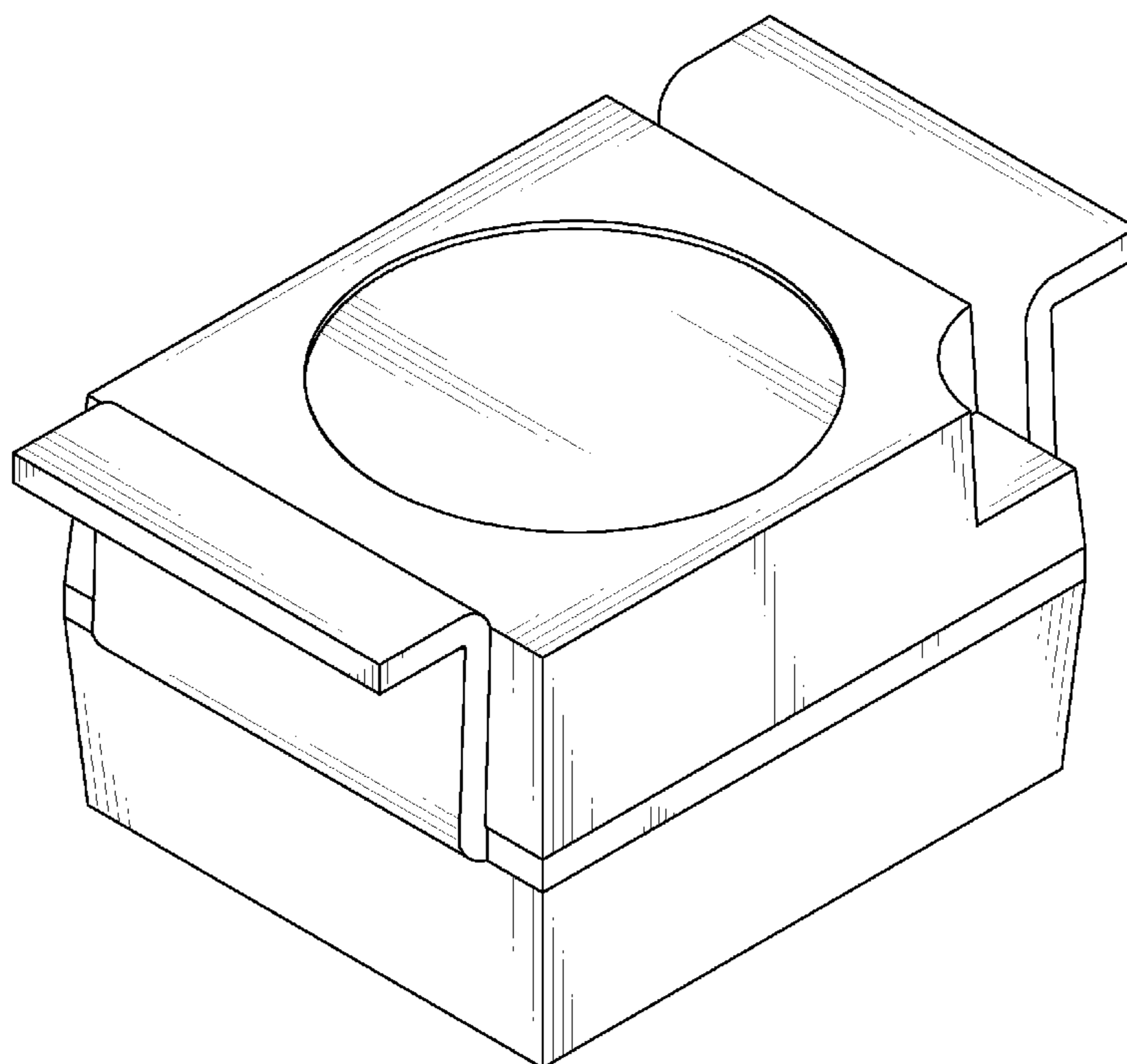
FIG. 4 is a left-side, elevational view thereof.

FIG. 5 is a right-side, elevational view thereof.

FIG. 6 is a top plan view thereof; and,

FIG. 7 is a bottom plan view thereof.

1 Claim, 7 Drawing Sheets



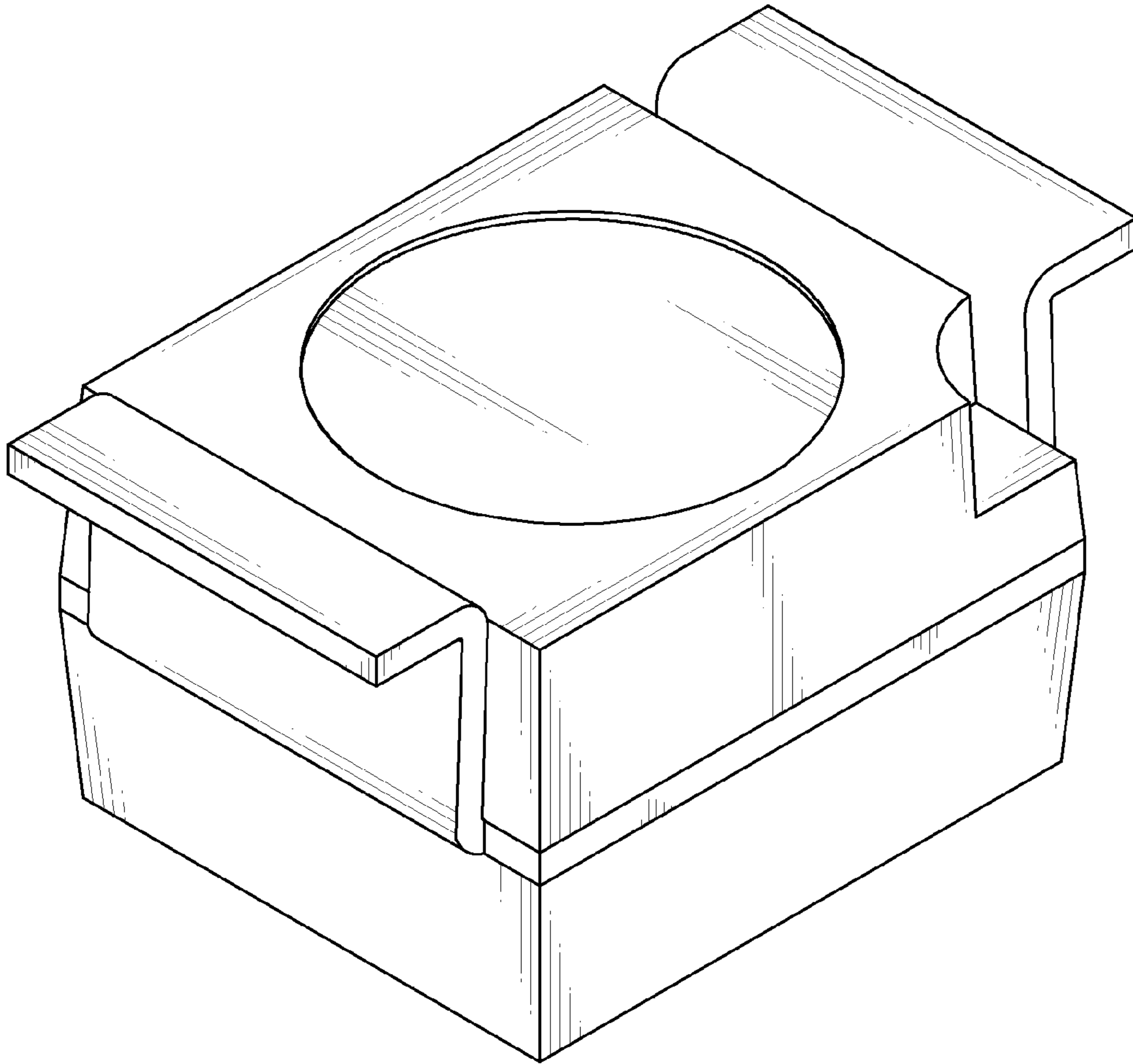


FIG. 1

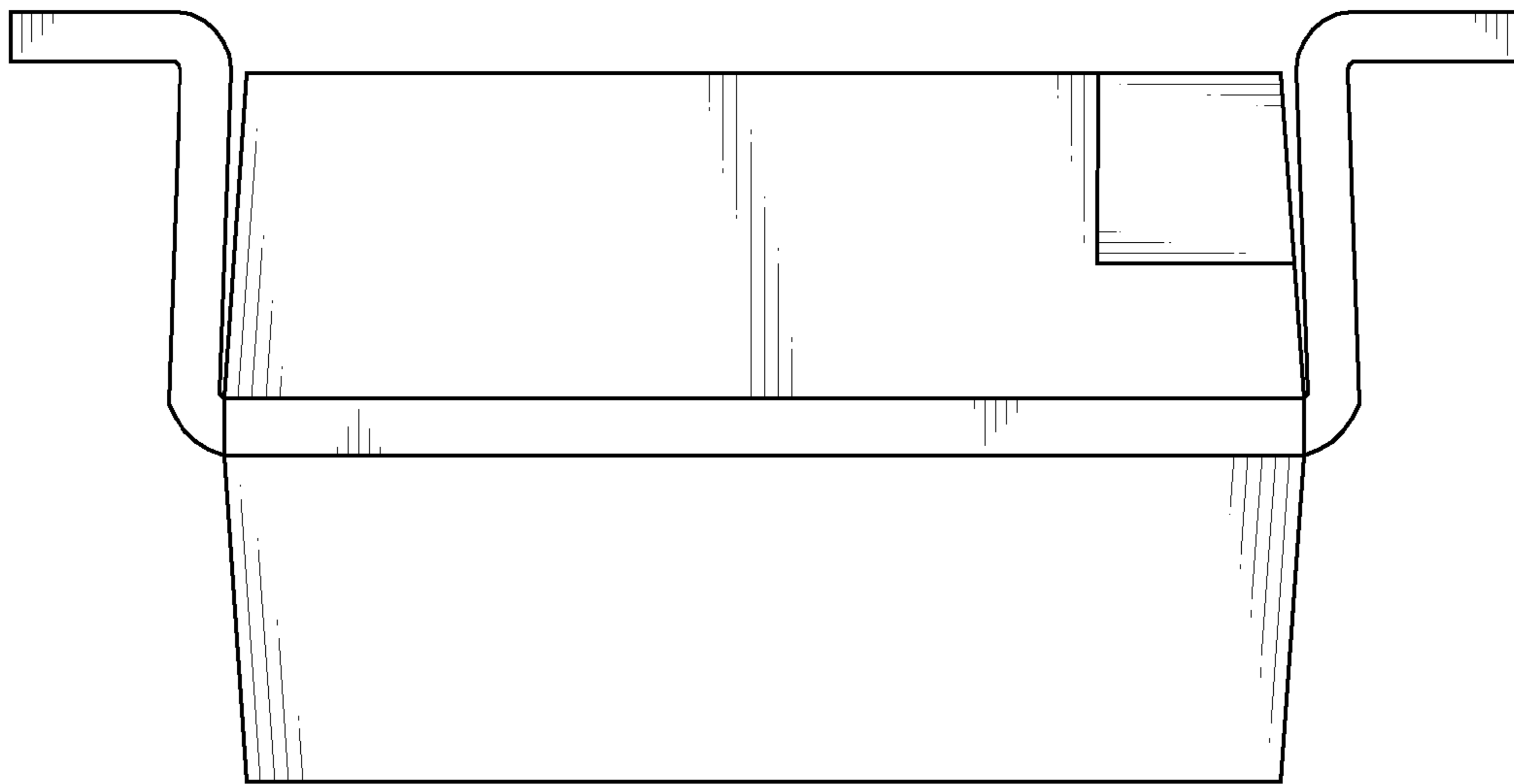


FIG. 2

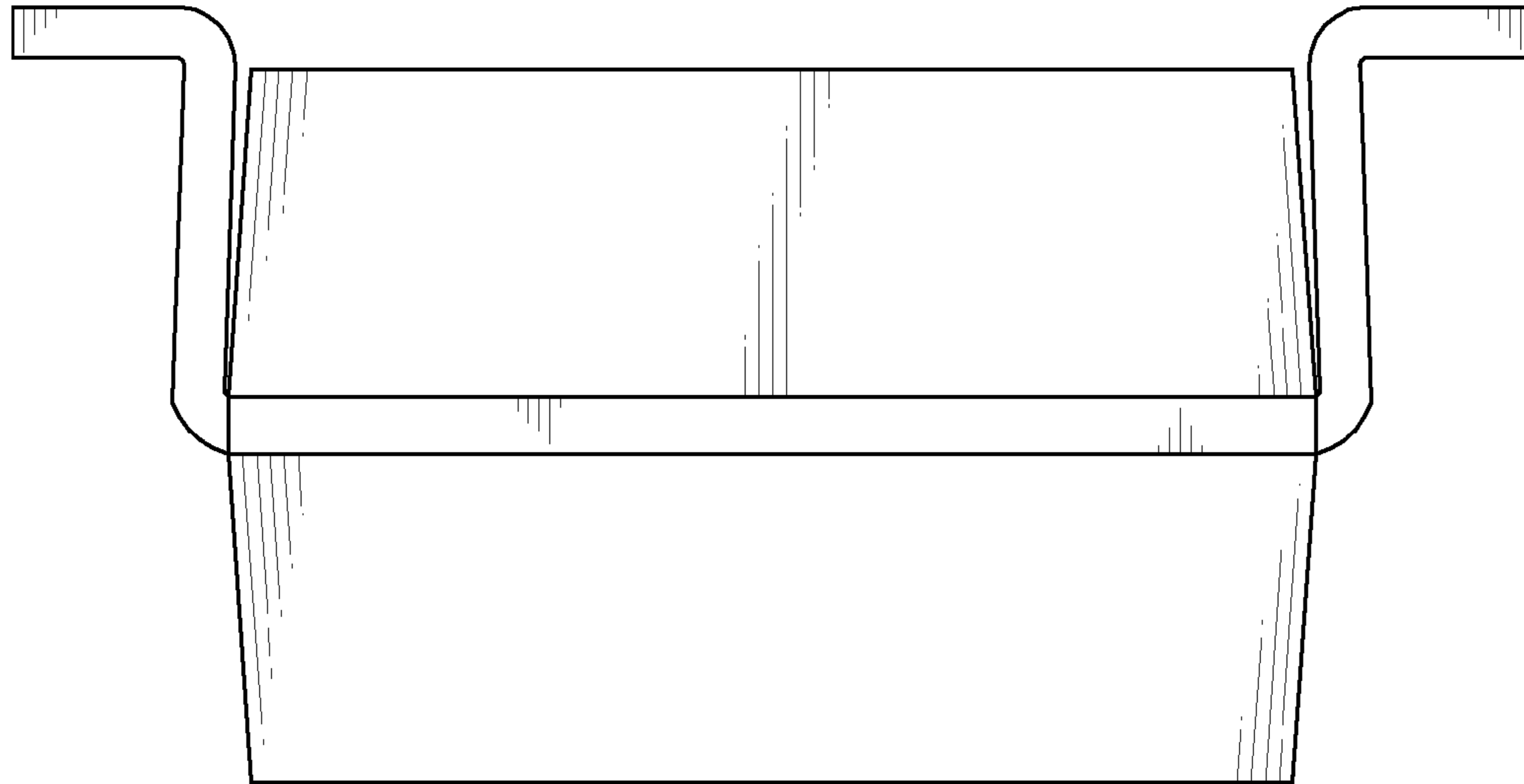


FIG. 3

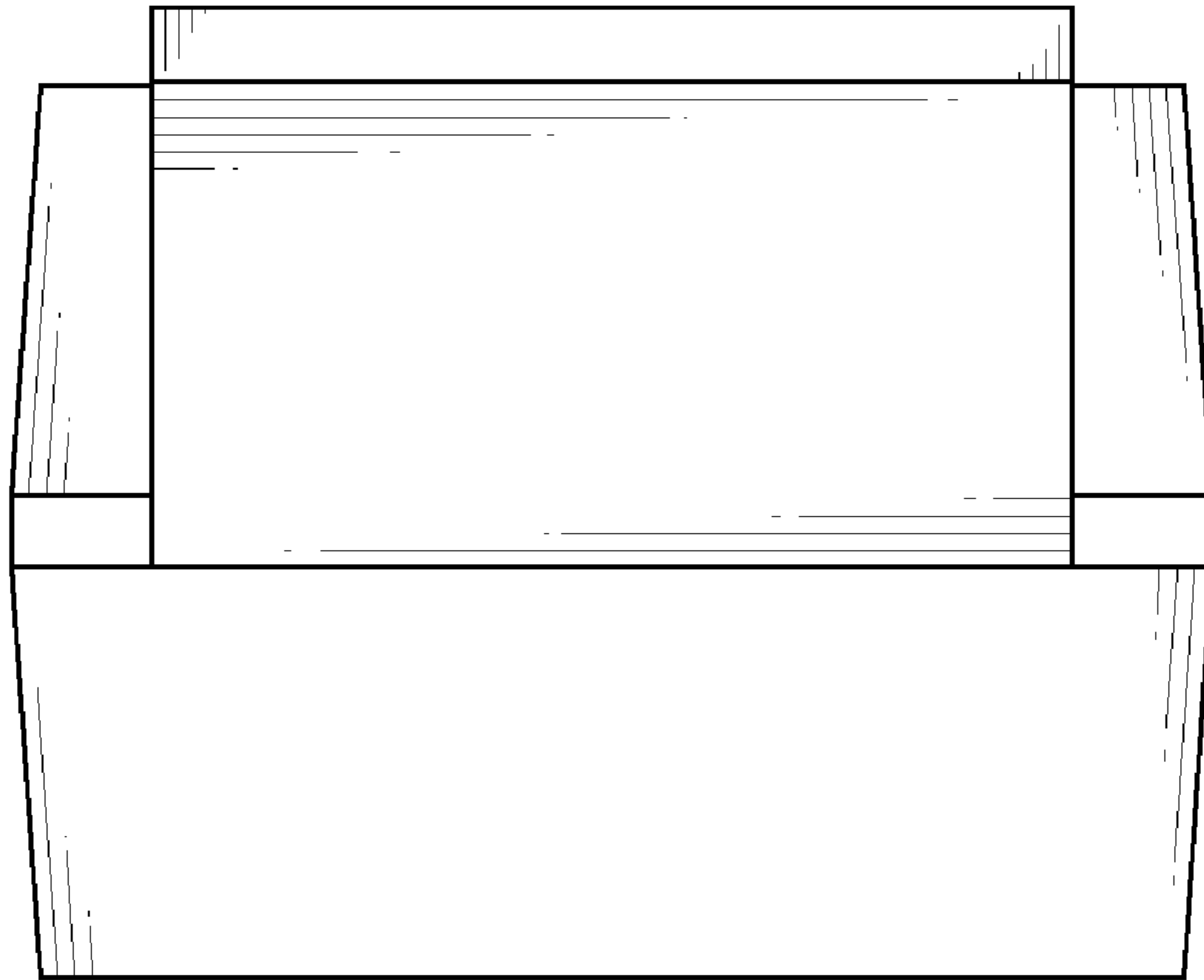


FIG. 4

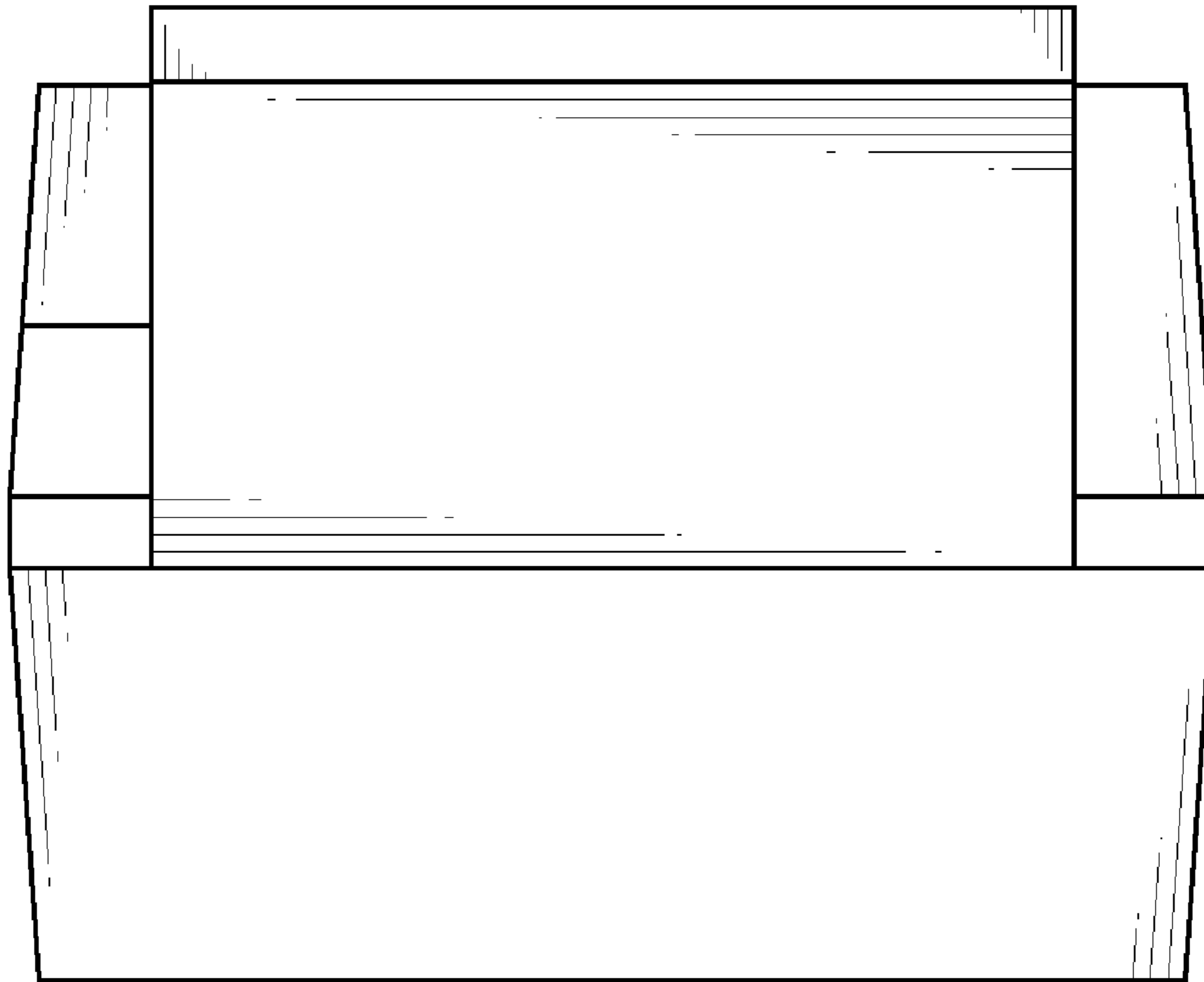


FIG. 5

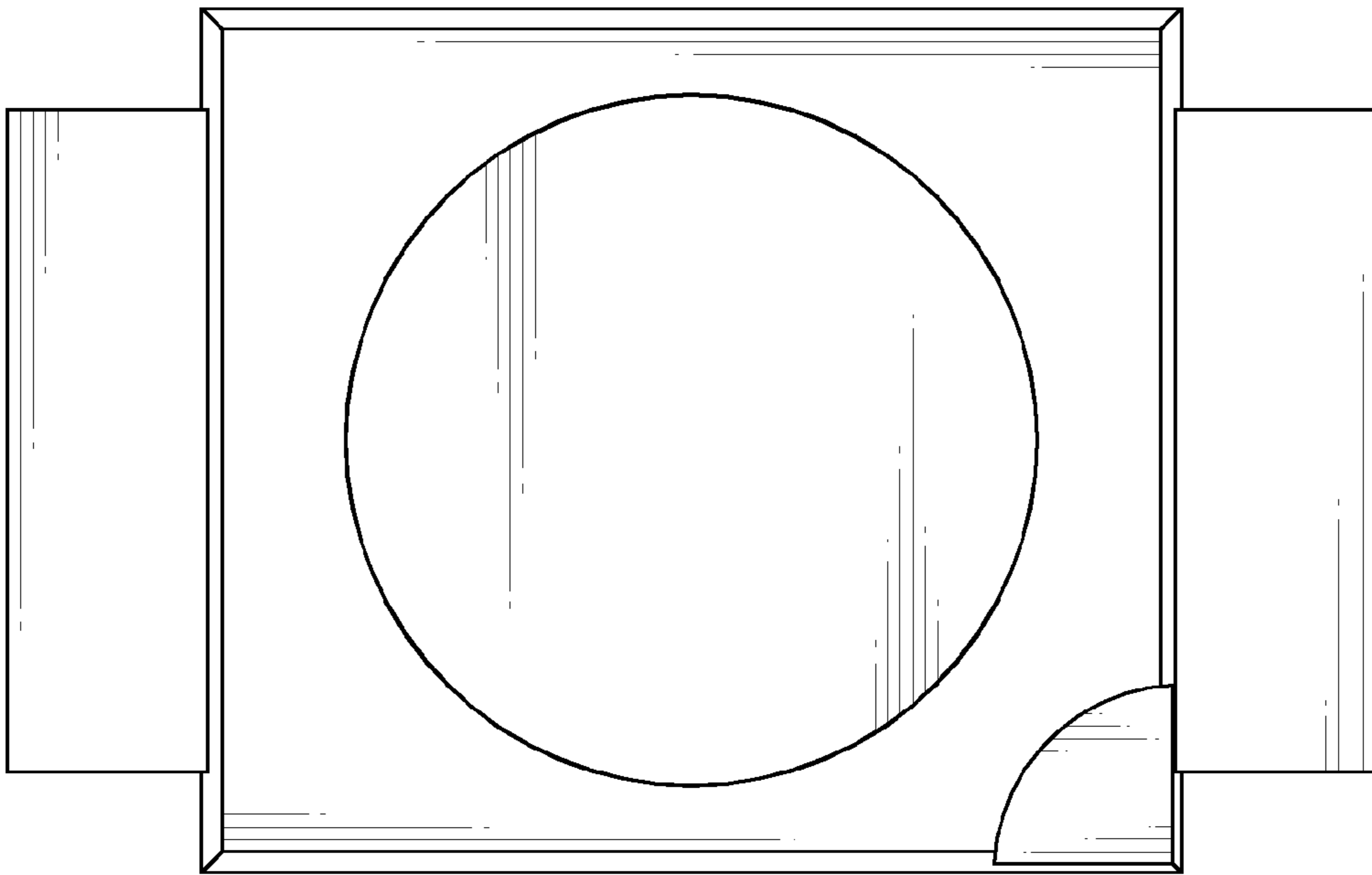


FIG. 6

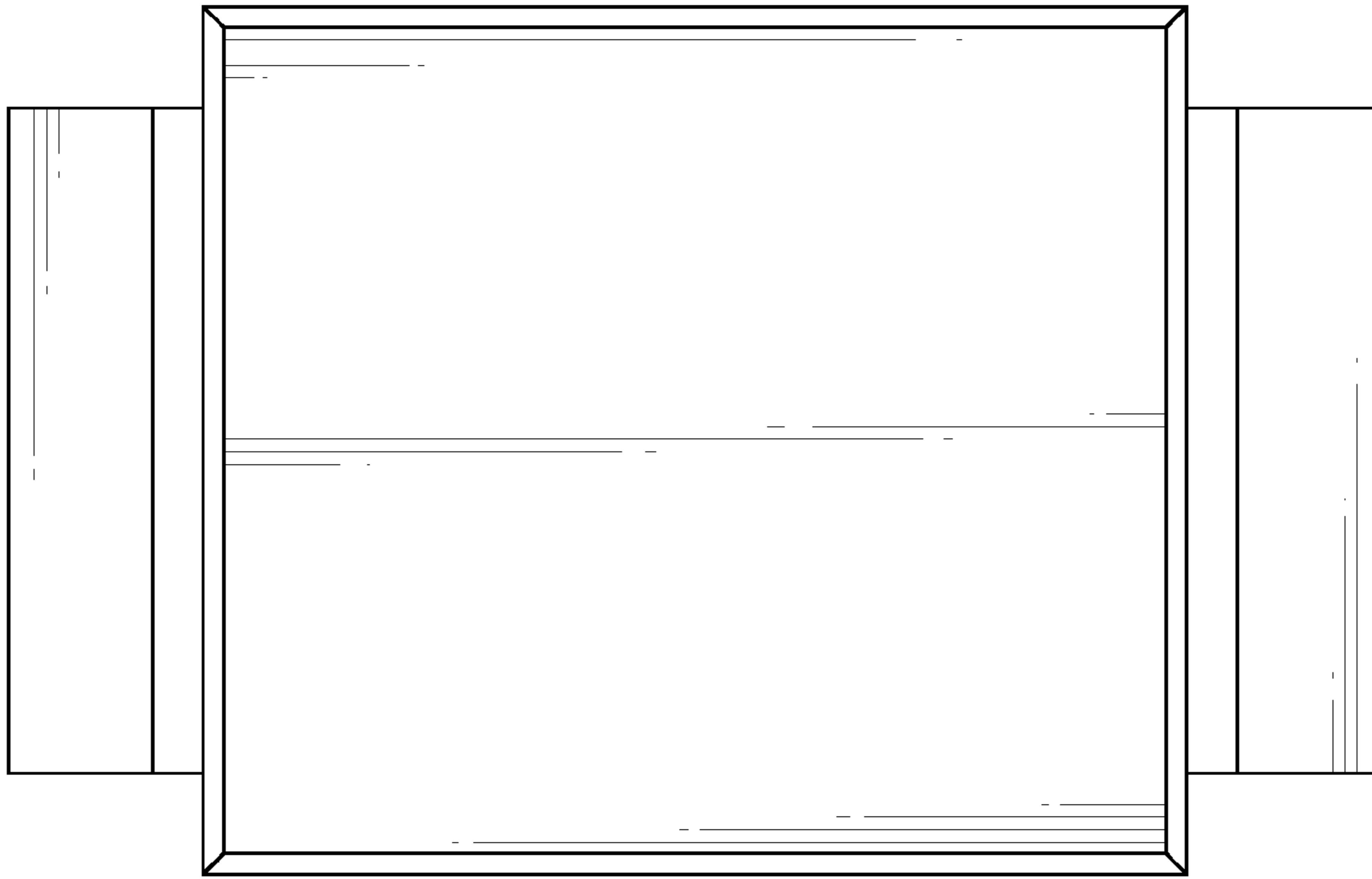


FIG. 7