



US00D622219S

(12) **United States Design Patent**  
**Byrne**

(10) **Patent No.:** **US D622,219 S**

(45) **Date of Patent:** **\*\* Aug. 24, 2010**

(54) **POWER AND DATA CENTER**

(76) Inventor: **Norman R. Byrne**, 2736 Honey Creek,  
NE., Ada, MI (US) 49301

(\*\*) Term: **14 Years**

(21) Appl. No.: **29/280,799**

(22) Filed: **Jun. 7, 2007**

(51) **LOC (9) Cl.** ..... **13-03**

(52) **U.S. Cl.** ..... **D13/147**

(58) **Field of Classification Search** ..... D13/133,  
D13/137.1, 137.2, 137.4, 138.1, 138.2, 139.1,  
D13/139.7, 146-147, 154, 184, 199; 439/92,  
439/93, 95, 101, 102, 105, 106, 108, 135,  
439/222, 266, 291, 344, 535, 620.21, 638,  
439/650, 651, 652, 653, 654, 907

See application file for complete search history.

(56) **References Cited**

U.S. PATENT DOCUMENTS

5,122,069	A *	6/1992	Brownlie et al.	.....	439/131
D455,123	S *	4/2002	Gershfeld	.....	D13/139.4
D455,716	S *	4/2002	Gershfeld	.....	D13/139.4
D466,868	S *	12/2002	Gershfeld	.....	D13/139.4
D537,039	S *	2/2007	Pincek	.....	D13/139.4
D537,785	S *	3/2007	Pincek	.....	D13/139.4
D556,139	S *	11/2007	Gershfeld	.....	D13/139.4
D585,279	S *	1/2009	Walker et al.	.....	D9/452

\* cited by examiner

Primary Examiner—Daniel D Bui

(74) *Attorney, Agent, or Firm*—Varnum LLP

(57) **CLAIM**

The ornamental design for a power and data center, as shown and described.

**DESCRIPTION**

FIG. 1 is a front elevation view of a power and data center showing my new design;

FIG. 2 is a bottom view thereof;

FIG. 3 is a left side elevation view thereof;

FIG. 4 is an upside down front elevation view thereof;

FIG. 5 is a right side elevation view thereof;

FIG. 6 is a top plan view thereof;

FIG. 7 is a top, front and right side perspective view thereof;

FIG. 8 is a top, rear and left side perspective view thereof;

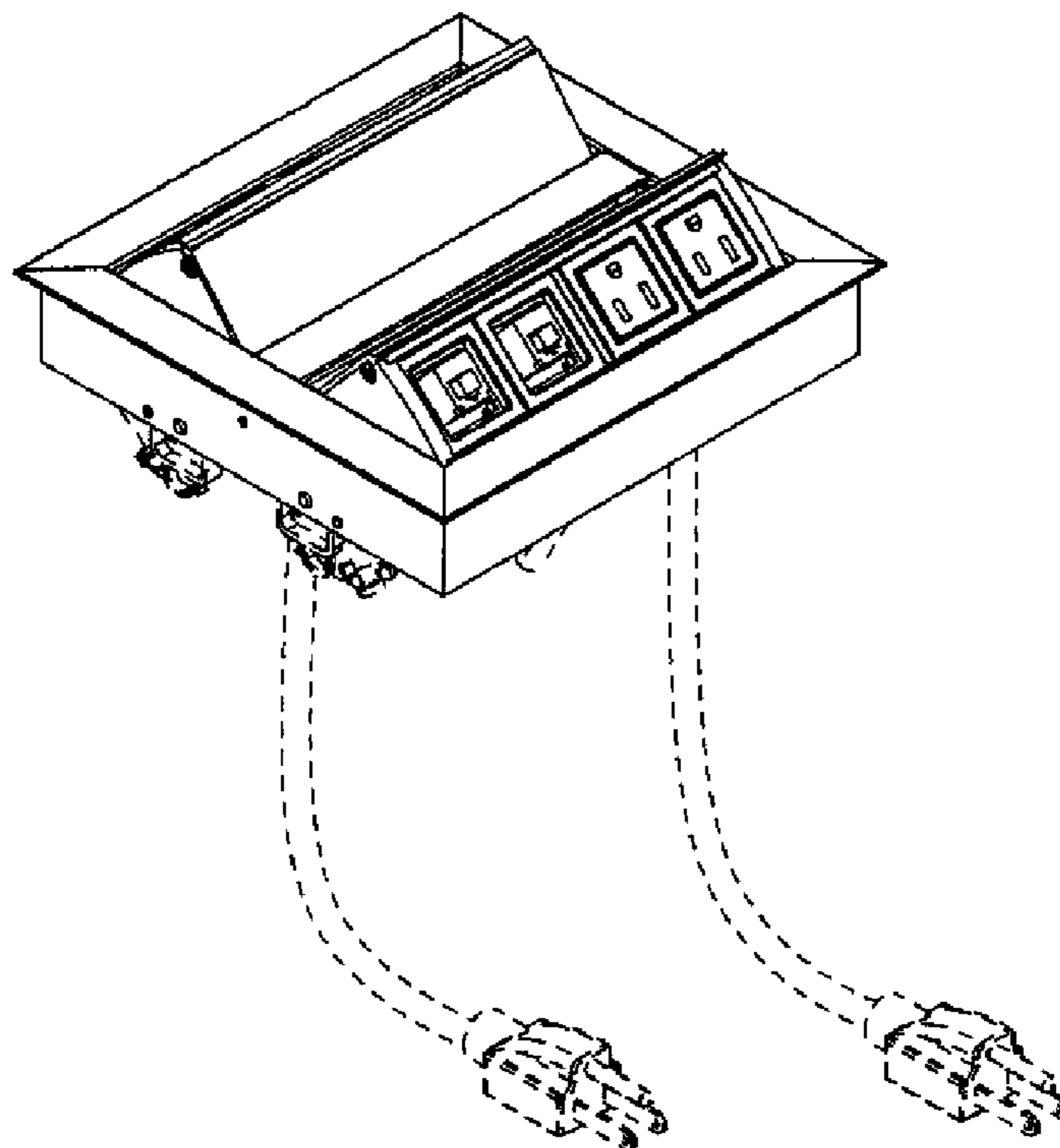
FIG. 9 is a top, front and right side perspective view thereof, showing the first top panel in closed condition;

FIG. 10 is a top, front and right side perspective view thereof, showing the second top panel in closed condition; and,

FIG. 11 is a top, front and right side perspective view thereof, showing both top panels in closed condition.

The broken line portions in the drawing views are included to show unclaimed subject matter only and form no part of the claimed design.

**1 Claim, 5 Drawing Sheets**



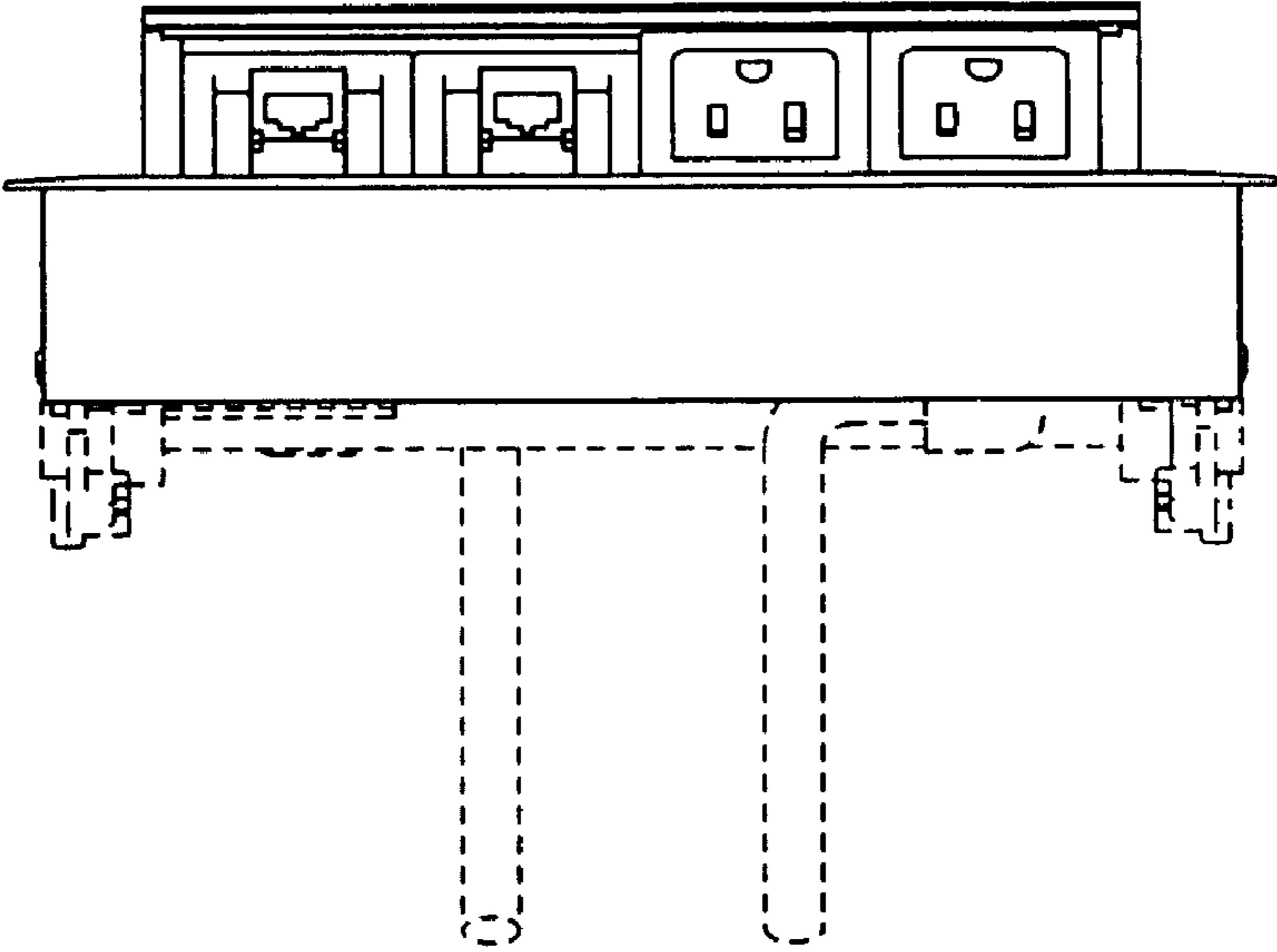


Fig 1

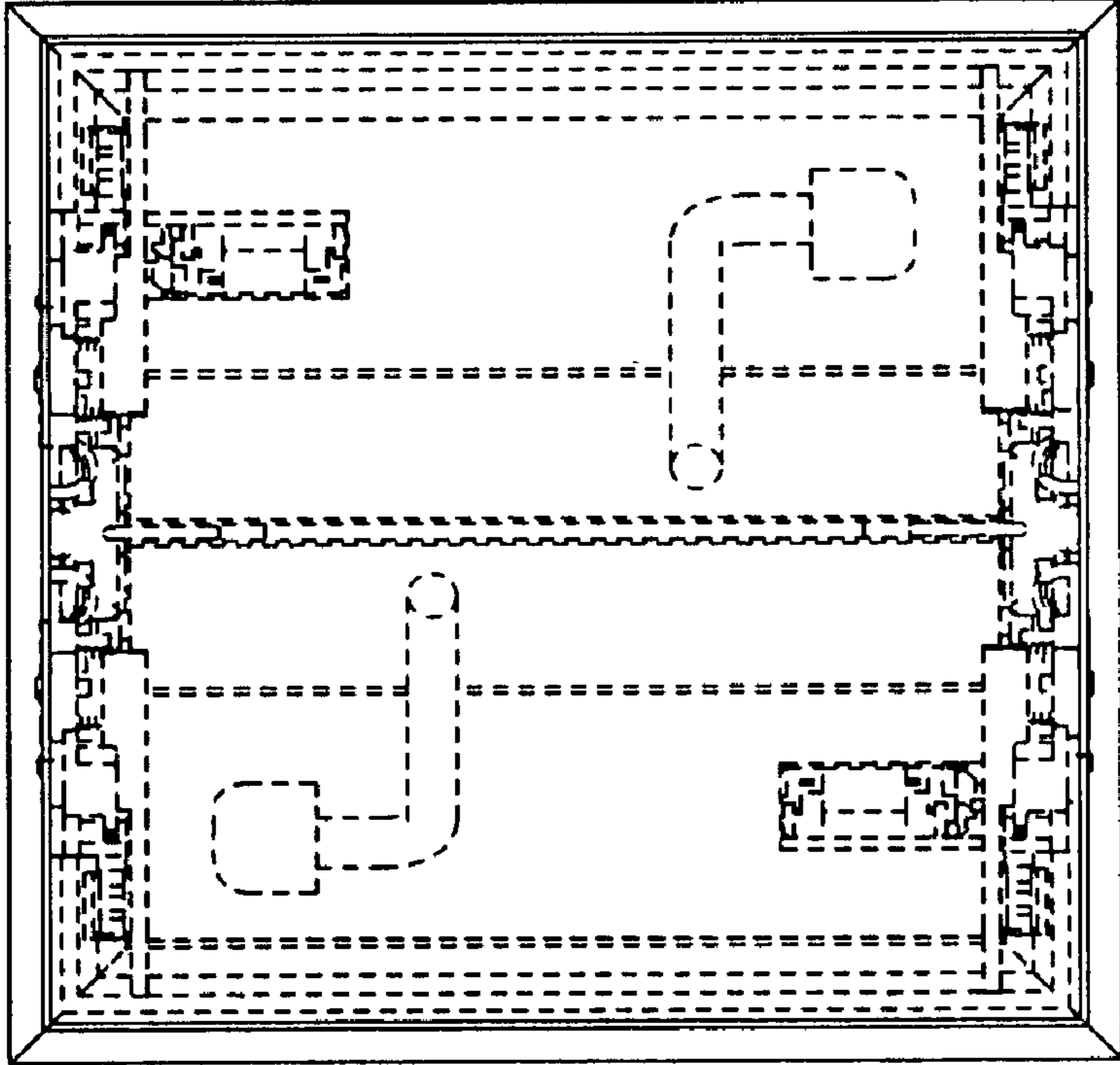


Fig. 2

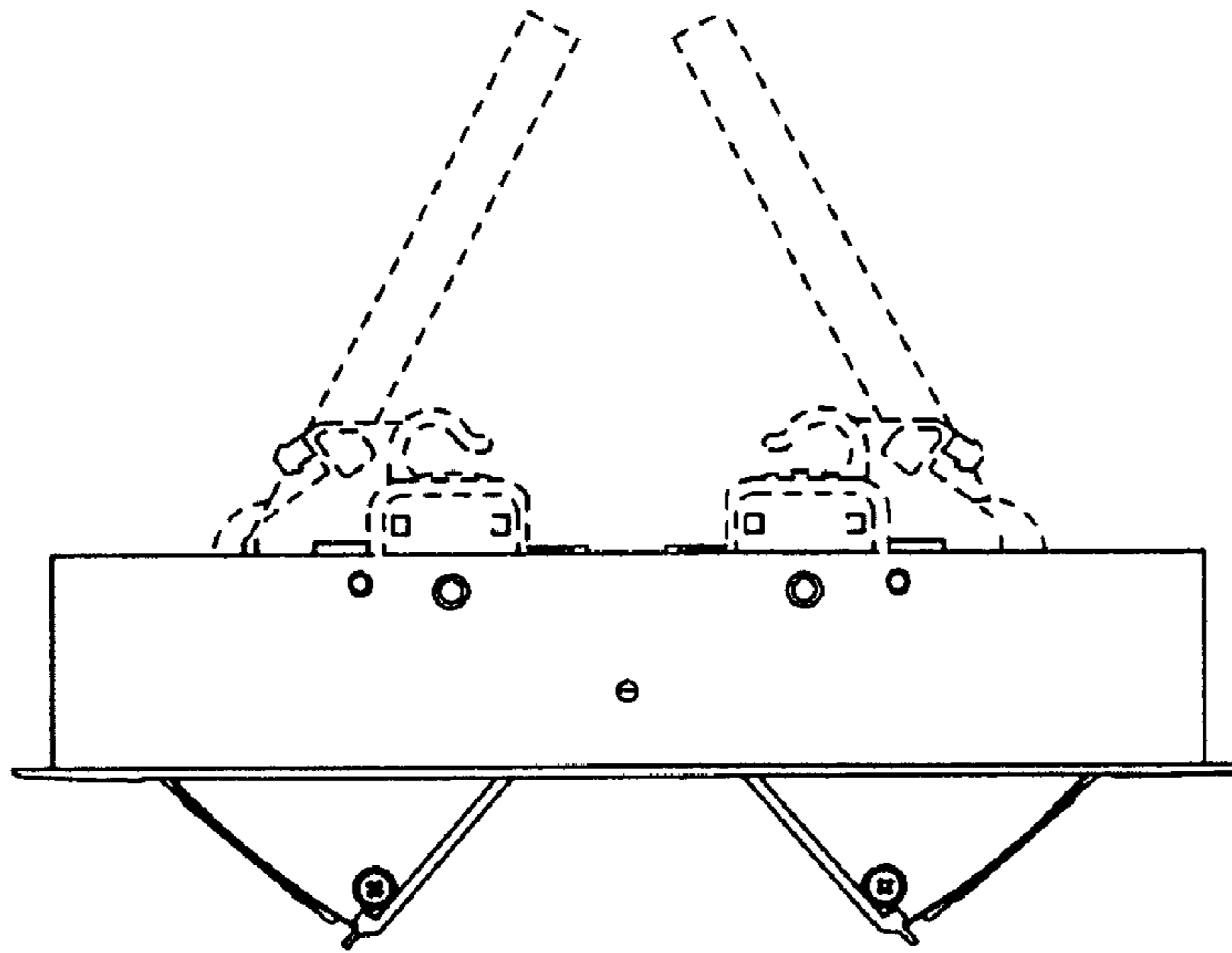


Fig 3

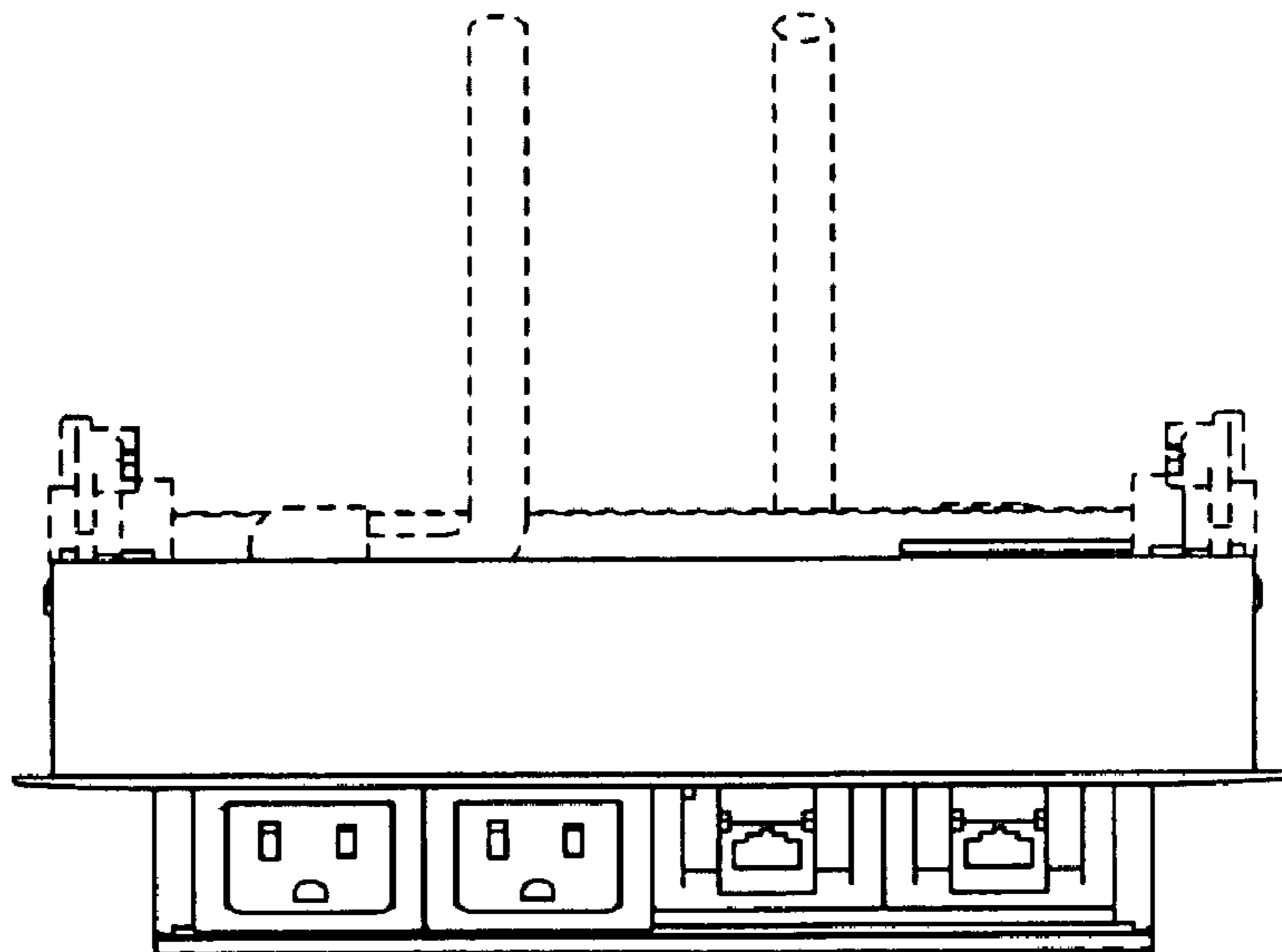


Fig. 4

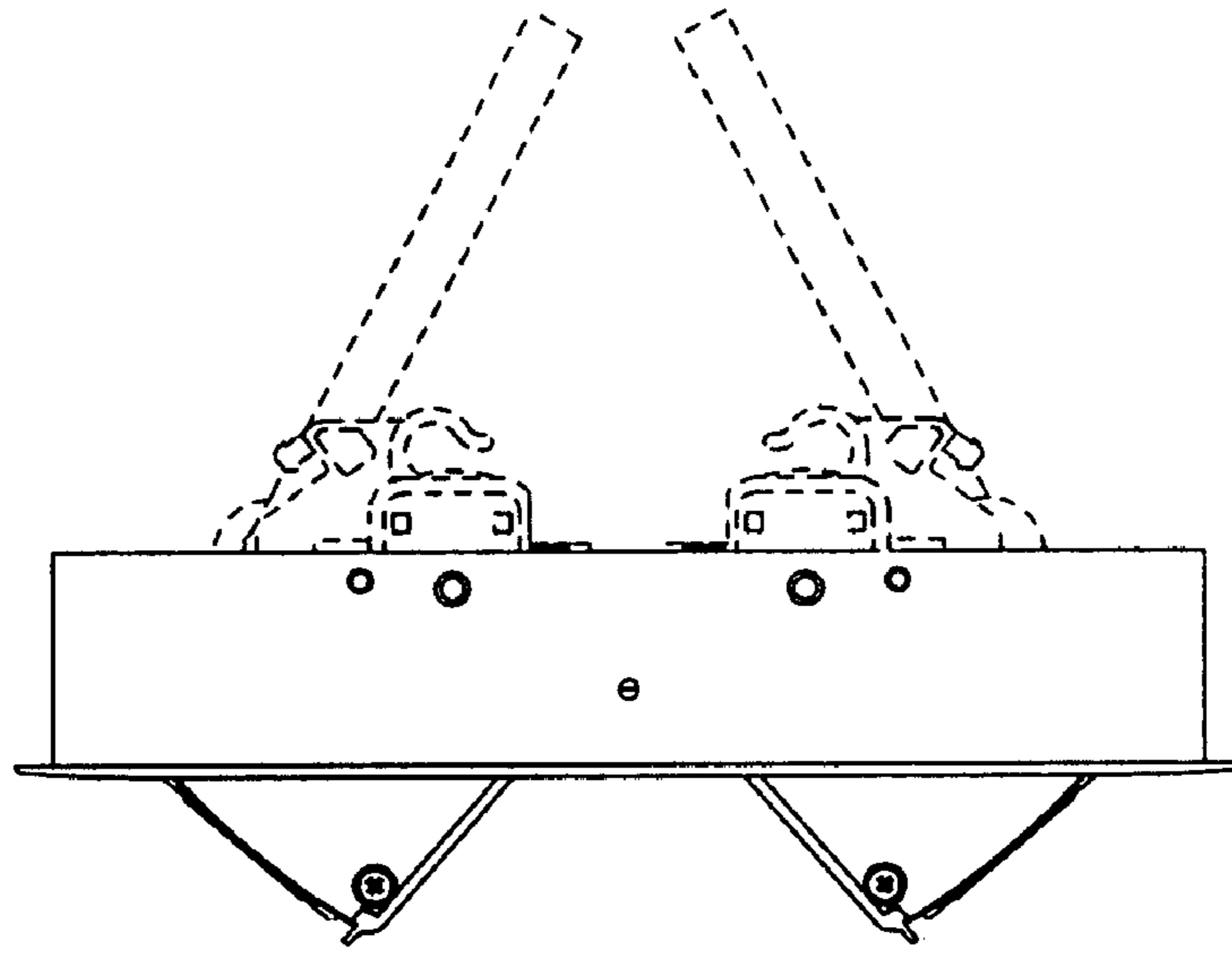


Fig 5

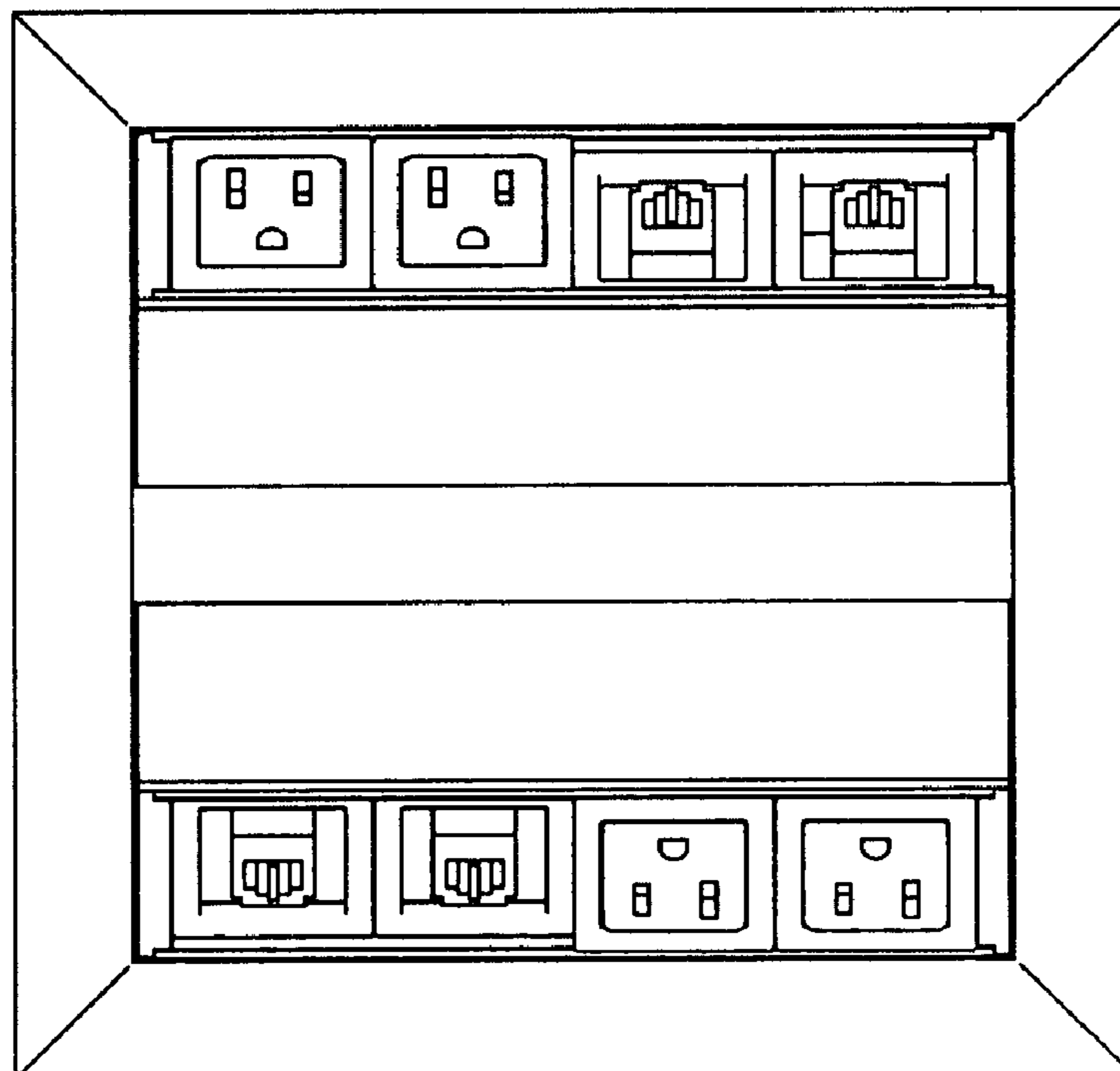


Fig. 6

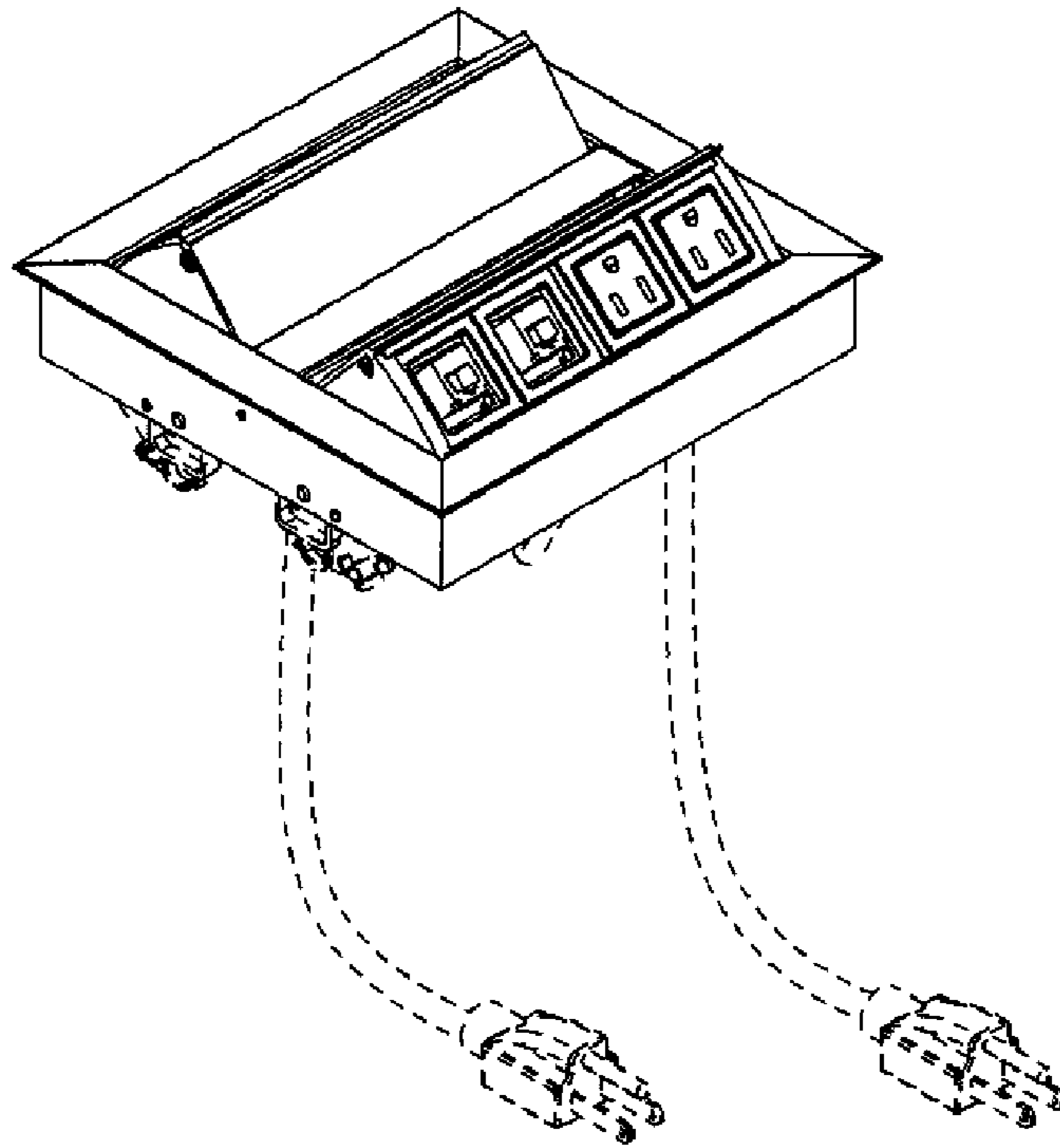


Fig. 7

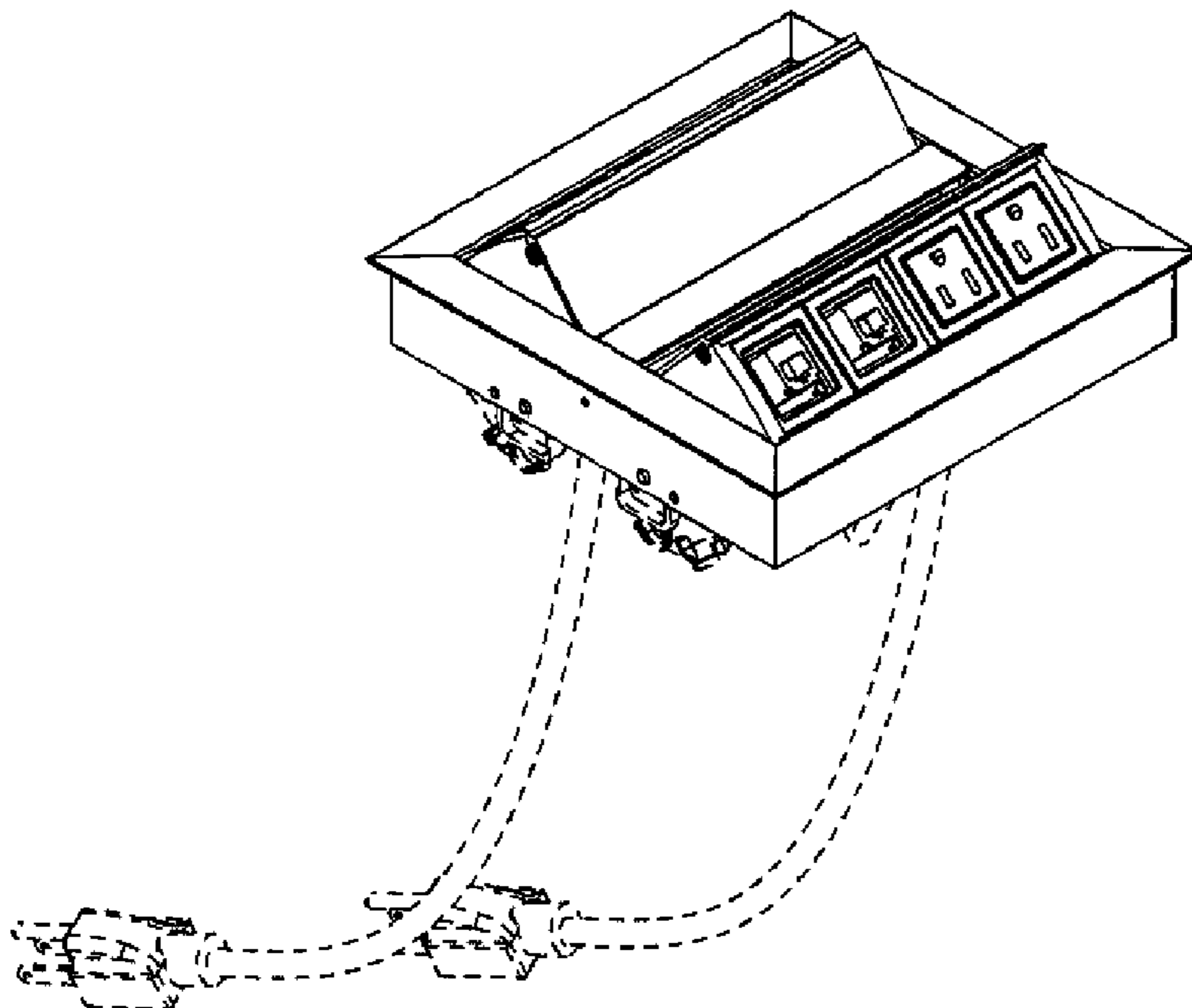


Fig. 8

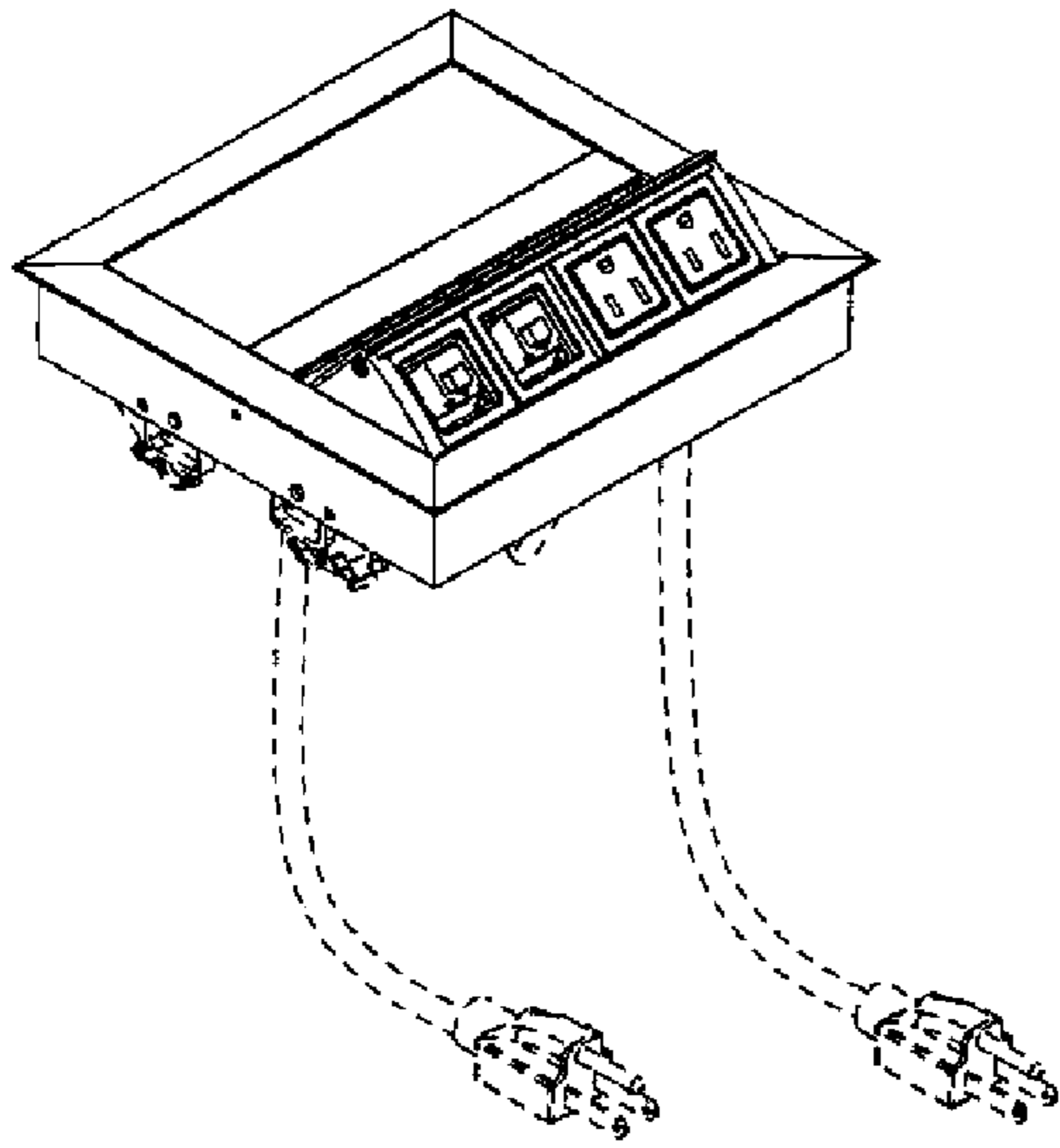


Fig. 9

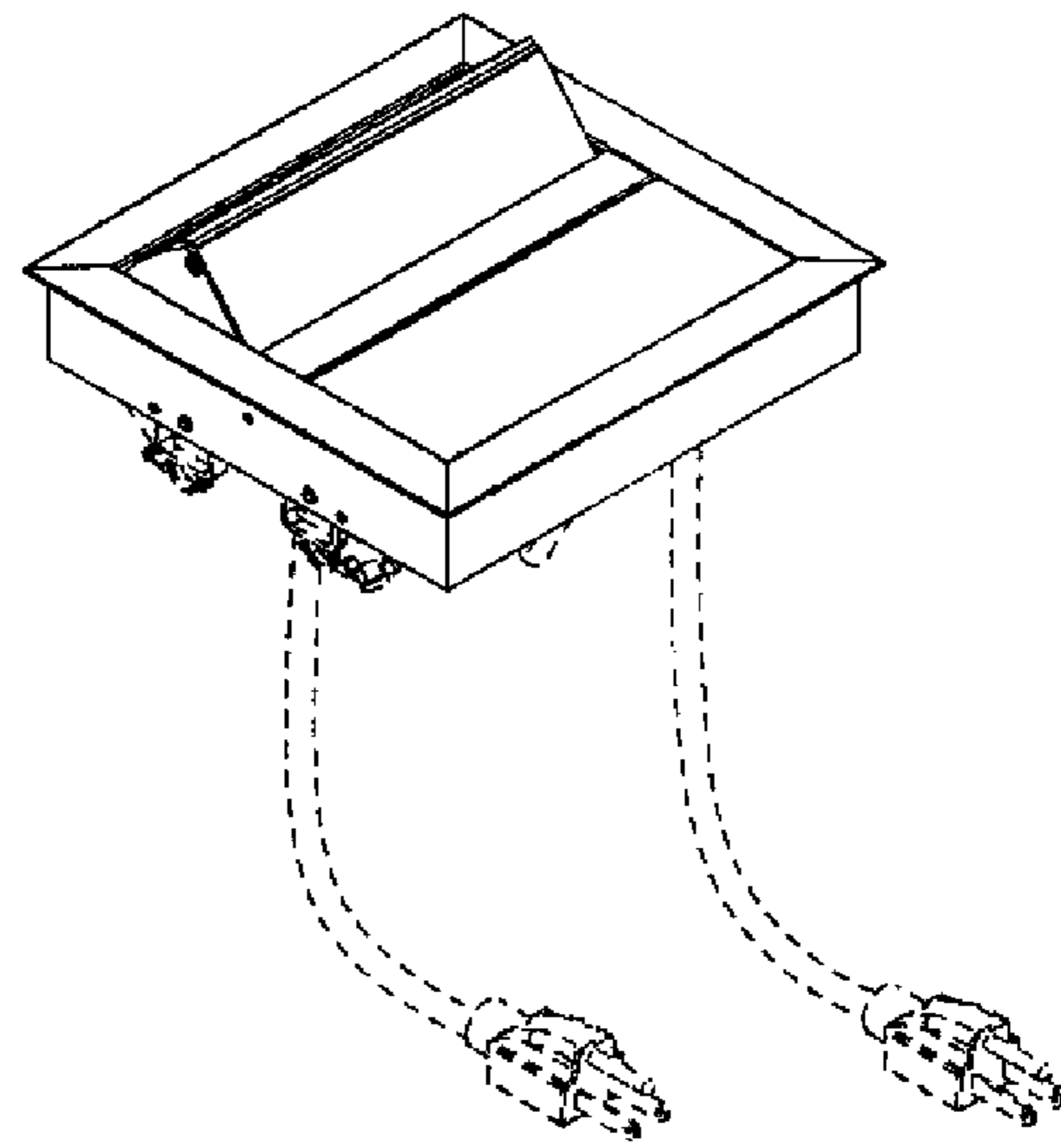


Fig. 10

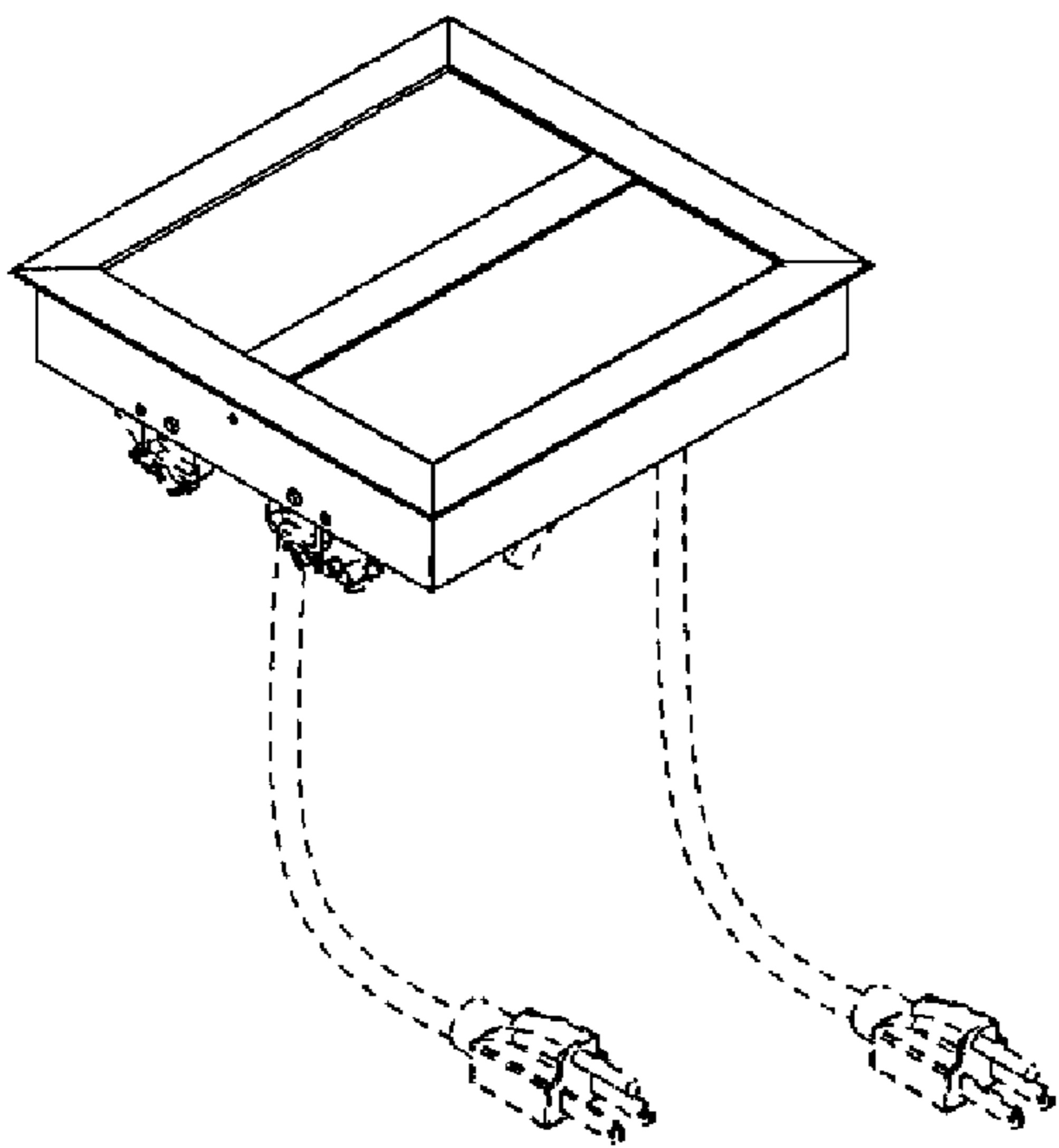


Fig. 11