



US00D622217S

(12) **United States Design Patent**
Green

(10) **Patent No.:** **US D622,217 S**

(45) **Date of Patent:** **** Aug. 24, 2010**

(54) **ELECTRIC PLUG**

(76) **Inventor:** **Robert L. Green**, 2332 Pine Hollow
Trail, Brighton, MI (US) 48114-4900

(**) **Term:** **14 Years**

(21) **Appl. No.:** **29/315,729**

(22) **Filed:** **Jul. 17, 2009**

Related U.S. Application Data

(63) Continuation-in-part of application No. 29/288,690,
filed on Jun. 19, 2007, now Pat. No. Des. 596,571.

(51) **LOC (9) Cl.** **13-03**

(52) **U.S. Cl.** **D13/137.2**

(58) **Field of Classification Search** .. D13/137.1–139.8,
D13/184; D14/433; 174/53–58, 66; 439/105–107,
439/535, 650–655, 692
See application file for complete search history.

(56) **References Cited**

U.S. PATENT DOCUMENTS

- 1,511,855 A * 10/1924 Wentz 439/652
- 1,568,156 A * 1/1926 Herskovitz 439/652
- 2,676,223 A * 4/1954 Whitaker 337/197
- 4,085,996 A * 4/1978 Koslo 439/105
- D251,293 S * 3/1979 Trueblood D13/137.2
- 4,293,172 A * 10/1981 Lingaraju 439/105
- D276,225 S * 11/1984 Powel D13/137.2
- D315,141 S * 3/1991 Hames D13/137.3

- D436,345 S * 1/2001 Lentine D13/137.2
- 6,929,514 B1 * 8/2005 Chuang 439/652
- D540,257 S * 4/2007 Ivanova et al. D13/137.2
- D559,184 S * 1/2008 Russell et al. D13/137.1
- 7,371,122 B2 * 5/2008 Ivanova et al. 439/652

* cited by examiner

Primary Examiner—Rosemary K Tarca

(74) *Attorney, Agent, or Firm*—Barbara M. Burns

(57) **CLAIM**

The ornamental design for an electrical plug, as shown and described.

DESCRIPTION

FIG. 1 is a perspective view of the preferred embodiment of an electrical plug showing my new design;

FIG. 2 is a front view of the preferred embodiment of an electrical plug showing my new design;

FIG. 3 is a back elevational view thereof;

FIG. 4 is a top plan view thereof;

FIG. 5 is a bottom plan view thereof;

FIG. 6 is a right side elevational view thereof; and,

FIG. 7 is a left side elevational view thereof.

The broken lines shown in the drawings are included for the purpose of illustrating unclaimed portions of the electrical plug and form no part of the claimed design.

1 Claim, 2 Drawing Sheets

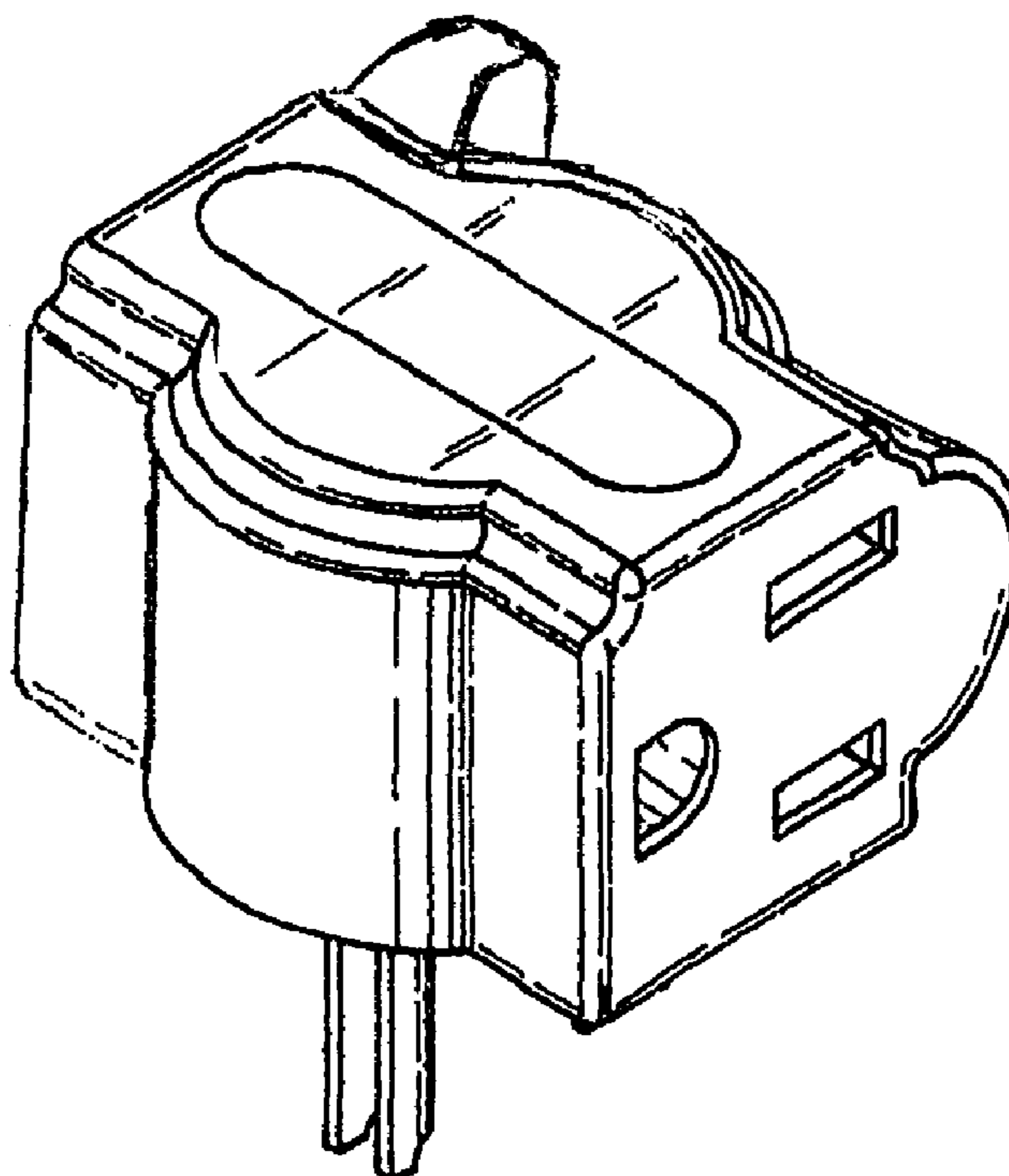


FIG 1

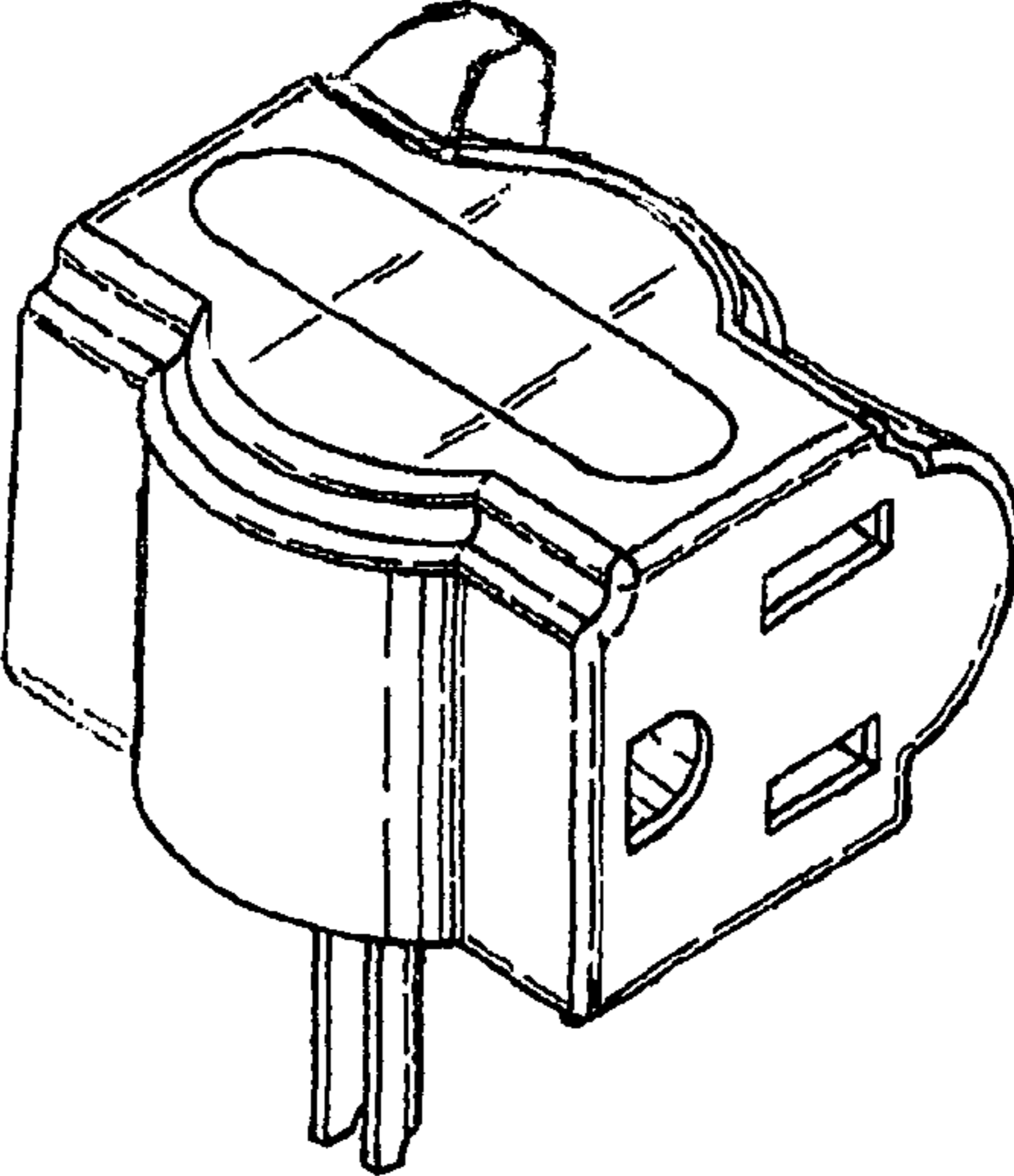


FIG 2

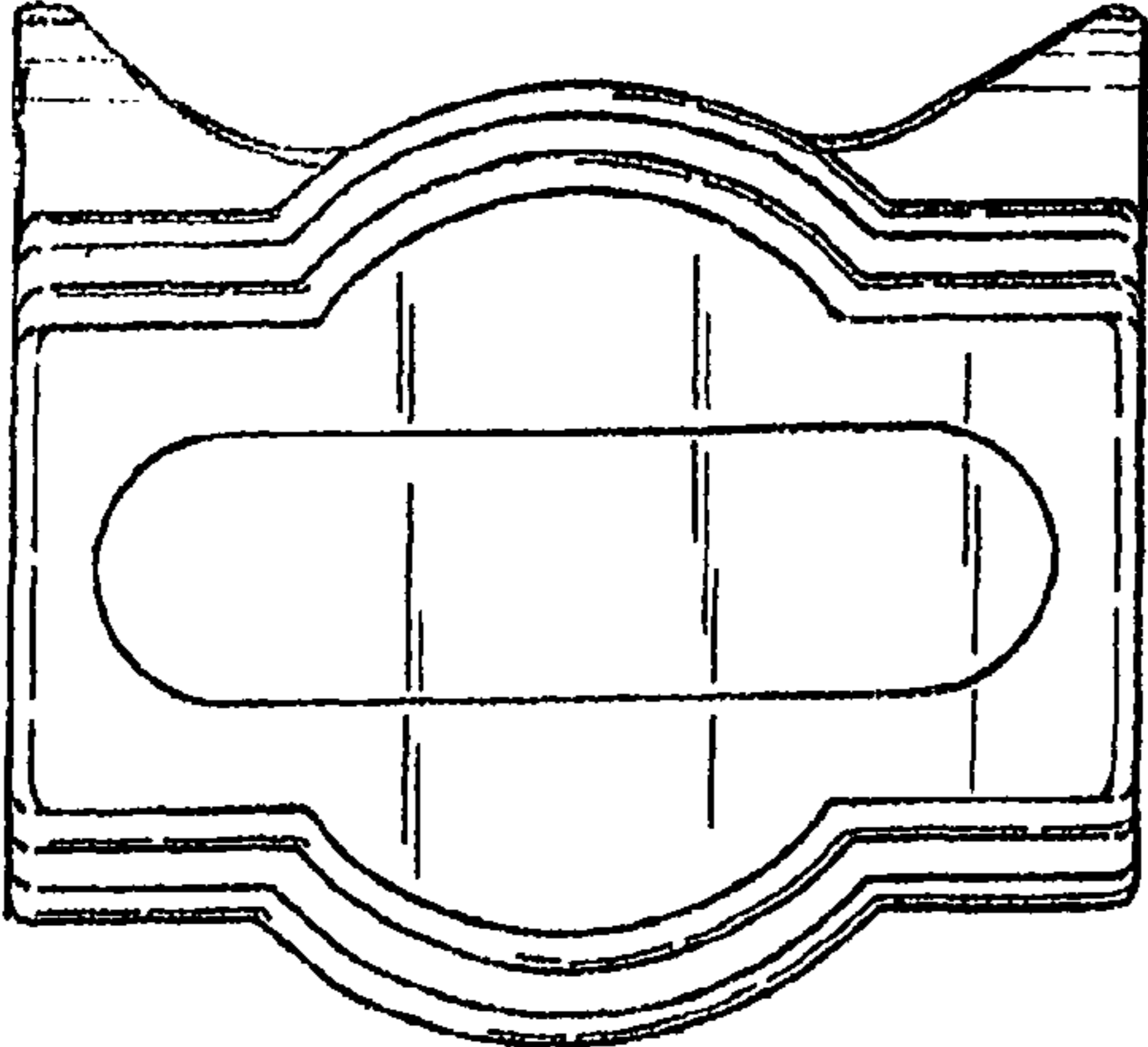


FIG 3

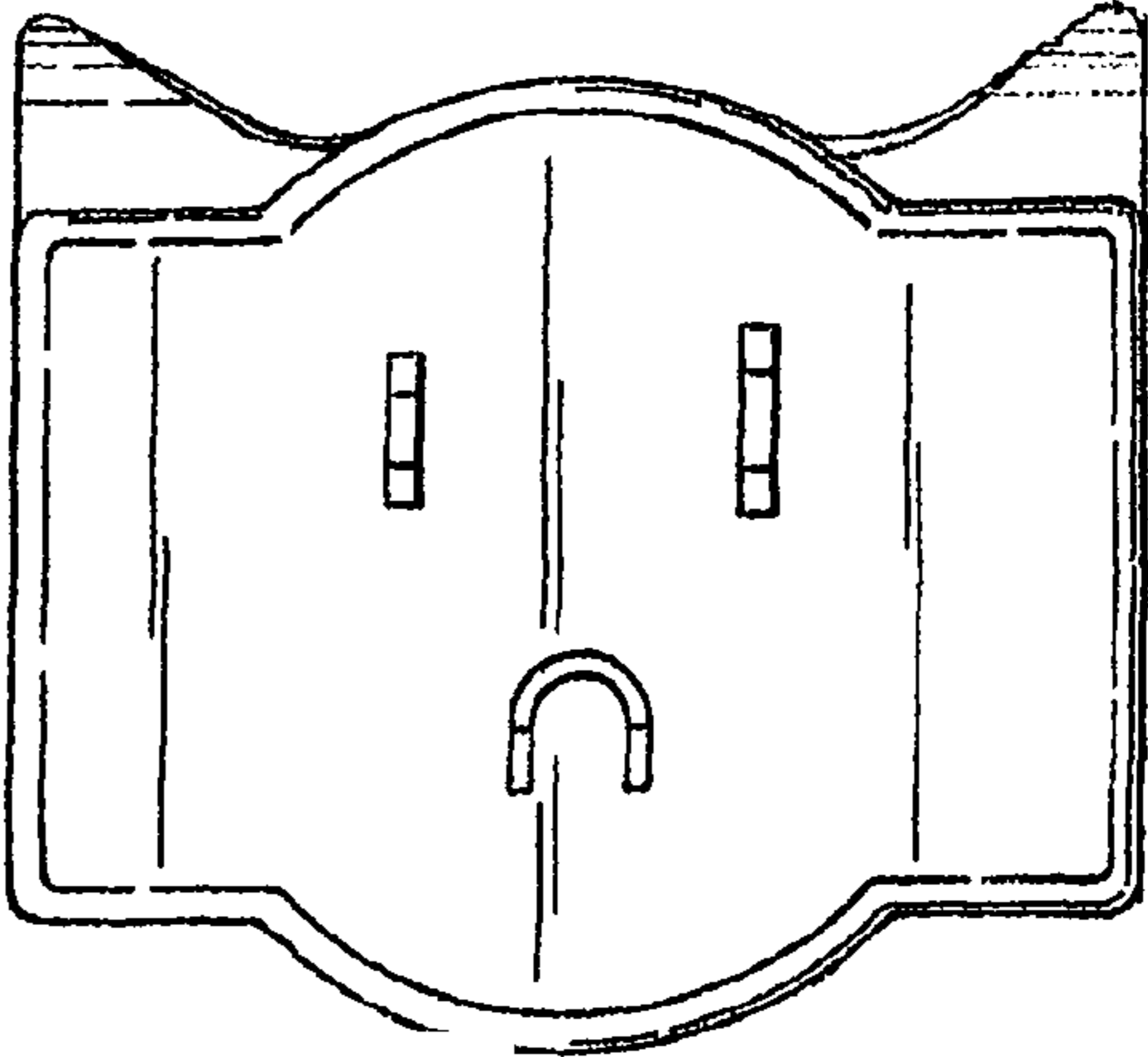


FIG 4

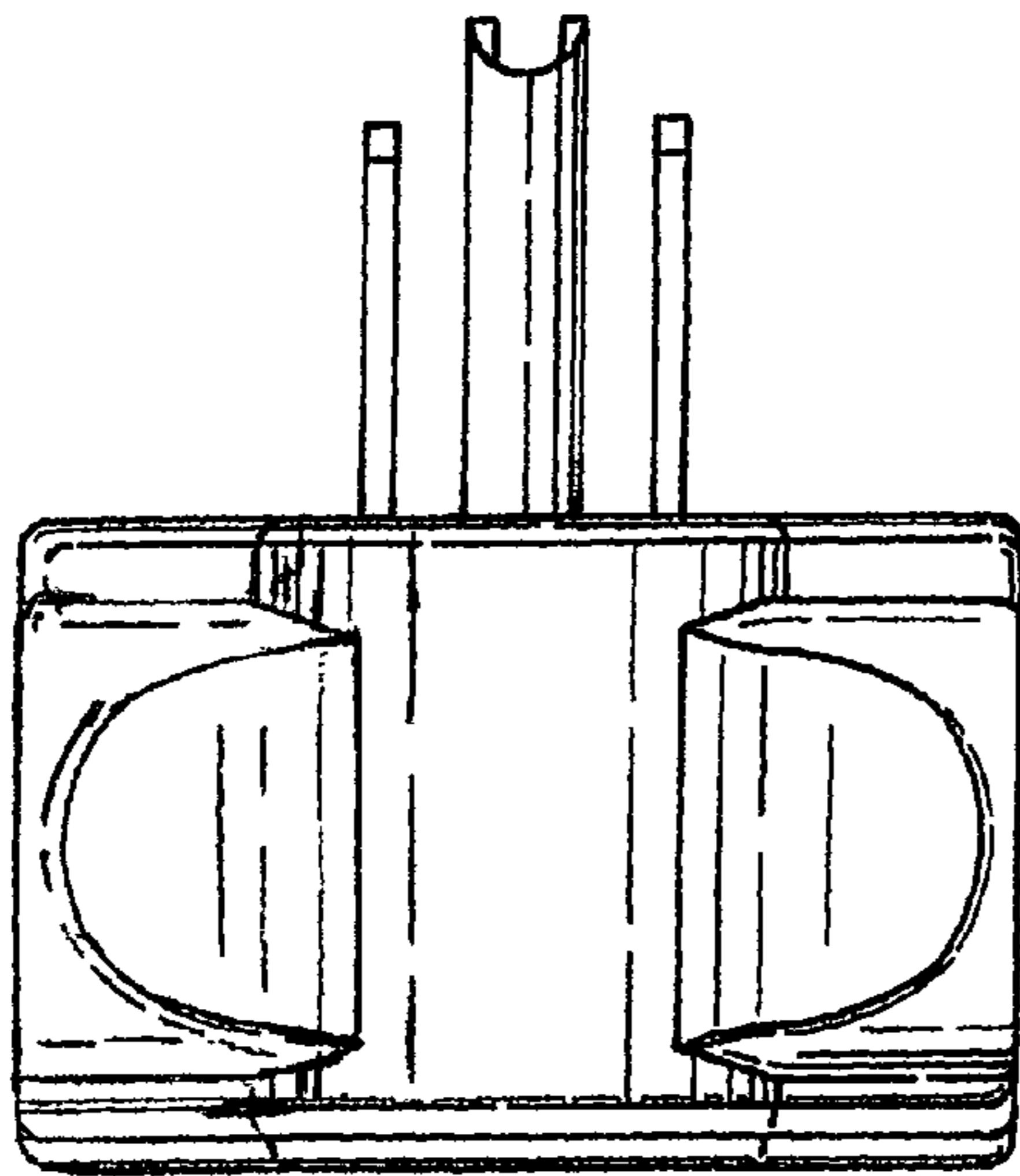


FIG 5

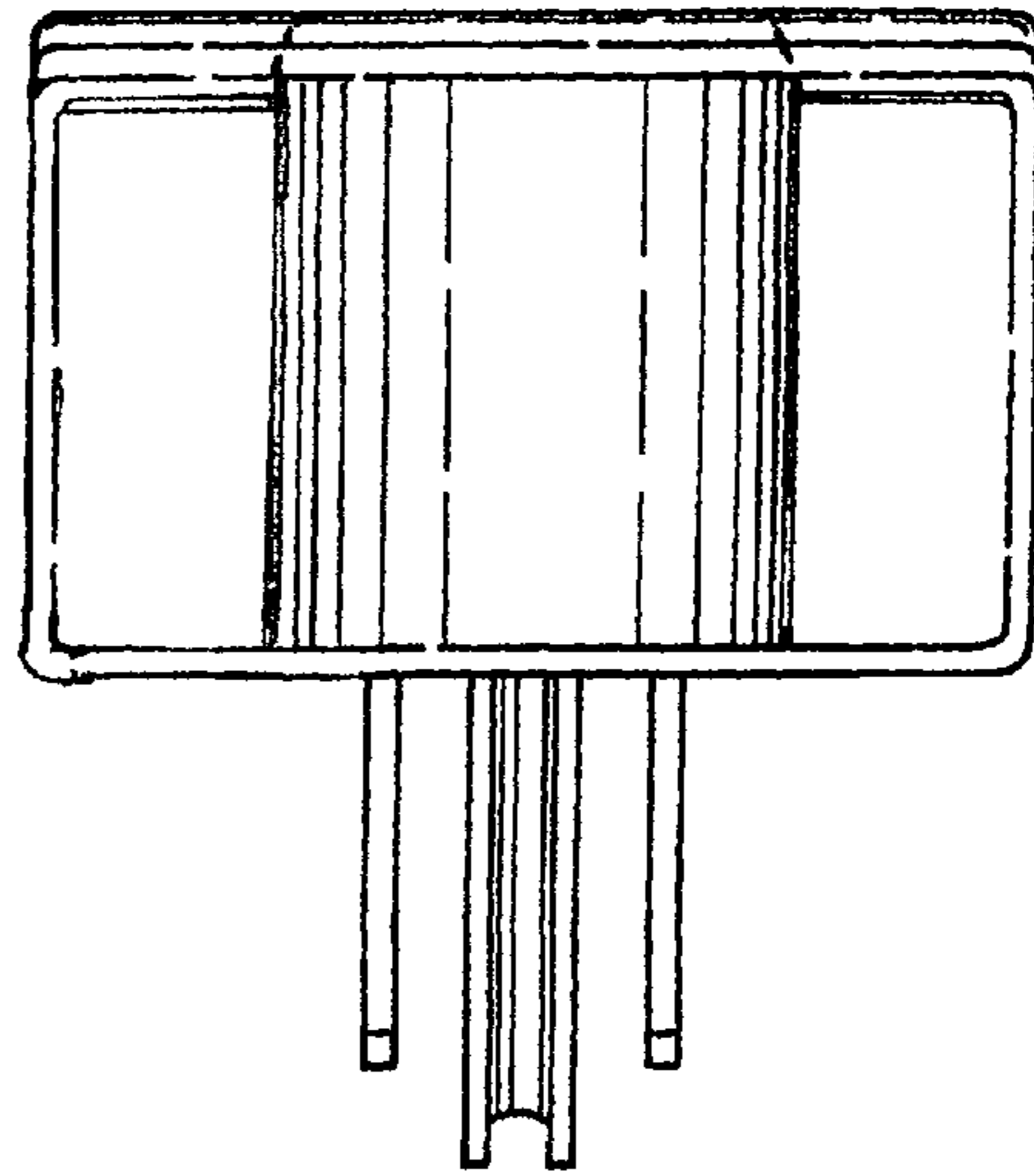


FIG 6

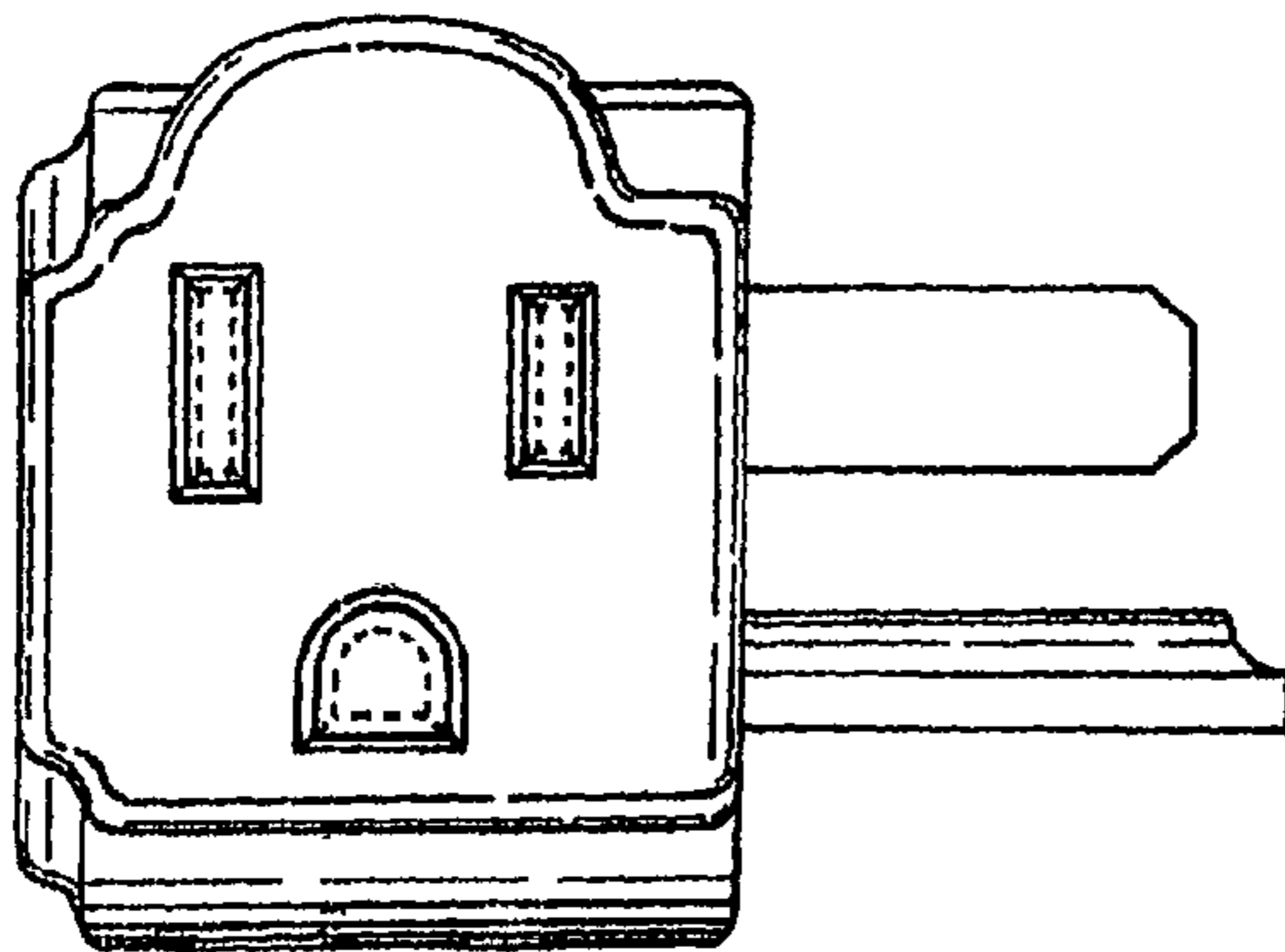


FIG 7

