

US00D622216S

(12) **United States Design Patent**
Rizzo

(10) **Patent No.:** **US D622,216 S**

(45) **Date of Patent:** **** Aug. 24, 2010**

(54) **ELECTRICAL CONNECTOR WITH ILLUMINATION**

(75) Inventor: **Gilberto Rizzo**, Cusano Milanino (IT)

(73) Assignee: **Woodhead Industries, Inc.**,
Lincolnshire, IL (US)

(**) Term: **14 Years**

(21) Appl. No.: **29/329,335**

(22) Filed: **Dec. 12, 2008**

(51) **LOC (9) Cl.** **13-03**

(52) **U.S. Cl.** **D13/133**

(58) **Field of Classification Search** D13/133,
D13/149, 151, 153, 154, 156, 184, 199; 439/79,
439/248, 258, 274, 35, 352, 353, 358, 359,
439/362, 378, 445, 447, 578, 584, 585, 656,
439/66, 676, 677, 678, 679, 68, 681, 682,
439/686

See application file for complete search history.

(56) **References Cited**

U.S. PATENT DOCUMENTS

4,908,335 A 3/1990 Cosmos et al.

5,037,330 A 8/1991 Fulponi et al.

(Continued)

FOREIGN PATENT DOCUMENTS

EP 0 895 318 3/1999

(Continued)

OTHER PUBLICATIONS

Photographs (3) of connector on market, circa. 2007.

(Continued)

Primary Examiner—Daniel D Bui

Assistant Examiner—Thomas J Johannes

(74) *Attorney, Agent, or Firm*—Larry I. Golden

(57) **CLAIM**

The ornamental design for an electrical connector with illuminator, as shown and described.

DESCRIPTION

FIG. 1 is a perspective view of an electrical connector with illumination, showing my new design in a usage condition without interior illumination.

FIG. 2 is a side elevation view of the connector of FIG. 1;

FIG. 3 is a side elevation view opposite to that of FIG. 2;

FIG. 4 is a front elevation view of the connector of FIG. 1;

FIG. 5 is a rear elevation view of the connector of FIG. 1;

FIG. 6 is a top plan view of the connector of FIG. 1;

FIG. 7 is a bottom plan view of the connector of FIG. 1;

FIG. 8 is a perspective view of an electrical connector with illumination, showing my new design in a usage condition with interior illumination present as represented by stippling in the drawing.

FIG. 9 is a side elevation view of the connector as in FIG. 8;

FIG. 10 is a side elevation view opposite to that of FIG. 9;

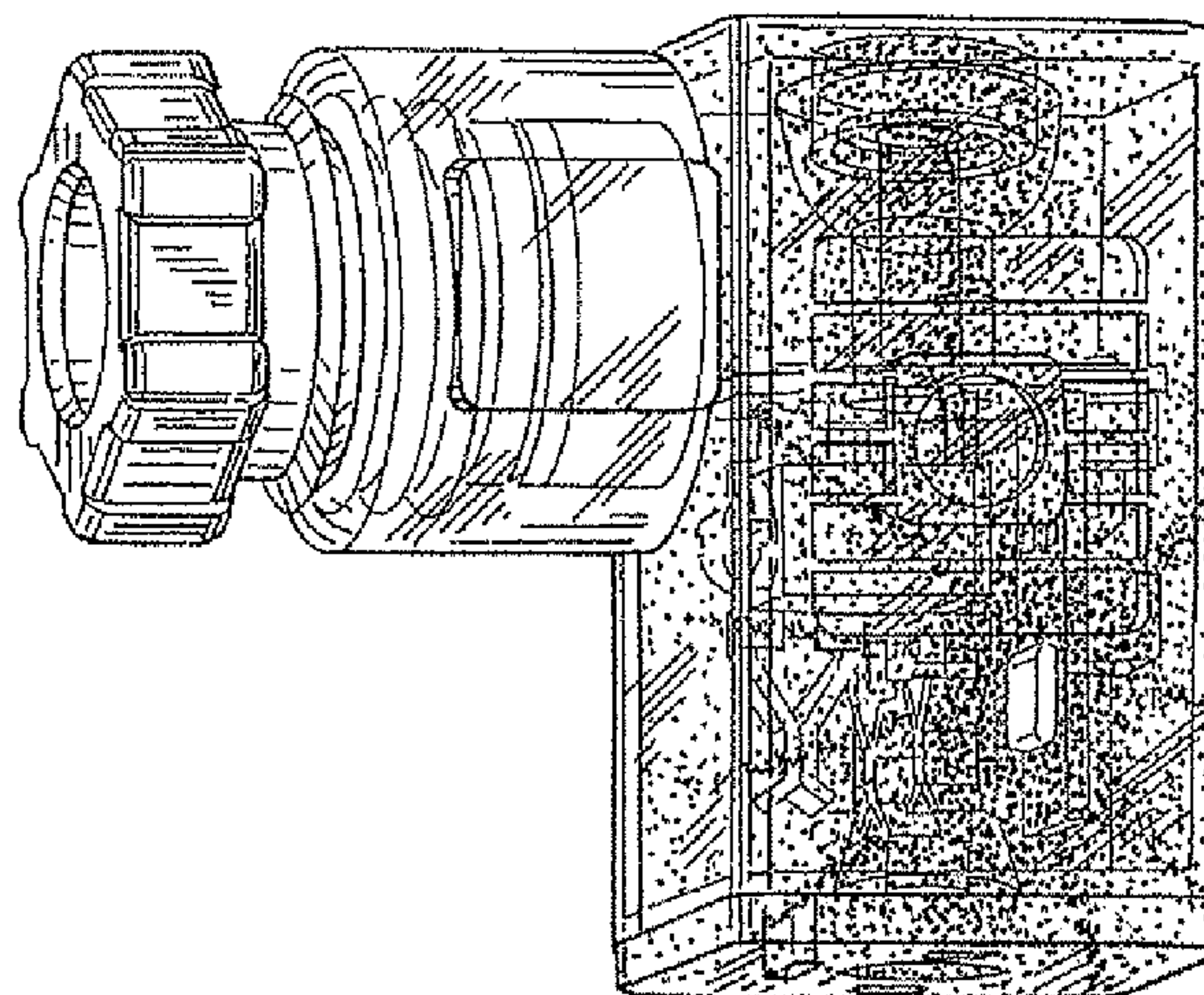
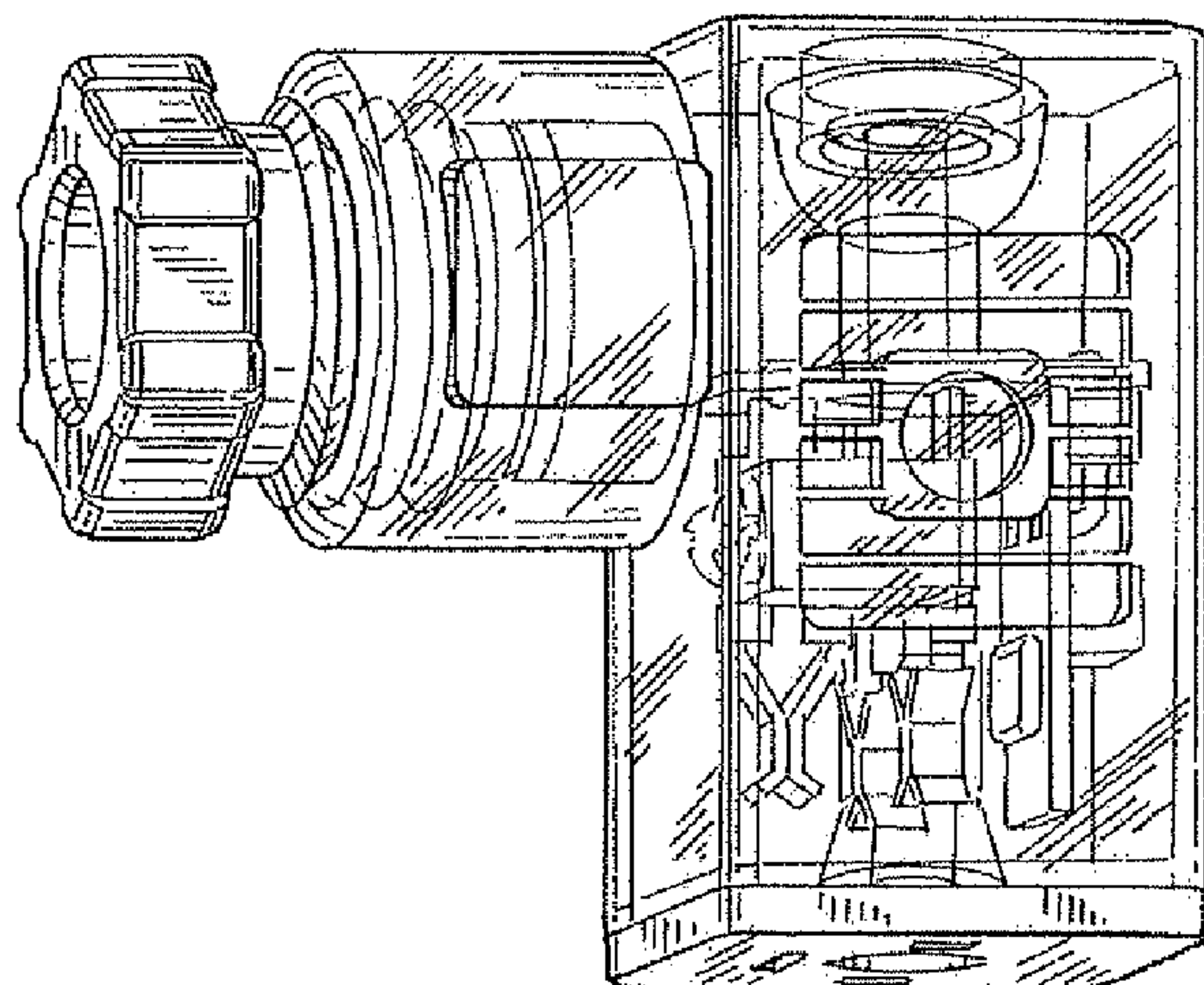
FIG. 11 is a front elevation view of the connector as in FIG. 8;

FIG. 12 is a rear elevation view of the connector as in FIG. 8;

FIG. 13 is a top plan view of the connector as in FIG. 8; and,

FIG. 14 is a bottom plan view of the connector as in FIG. 8.

1 Claim, 6 Drawing Sheets



US D622,216 S

Page 2

U.S. PATENT DOCUMENTS

5,062,807 A 11/1991 Guss, III
5,244,409 A 9/1993 Guss, III et al.
5,256,962 A 10/1993 Munniksma et al.
5,348,047 A 9/1994 Stoll et al.
5,613,873 A 3/1997 Bell, Jr.
5,797,767 A 8/1998 Schell
6,053,765 A 4/2000 Eakins
6,126,482 A * 10/2000 Stabile 439/582
6,159,037 A 12/2000 Madsen et al.
6,257,906 B1 7/2001 Price et al.
6,319,051 B1 11/2001 Chang et al.
6,336,825 B1 1/2002 Seefried
6,357,887 B1 3/2002 Novak
6,361,357 B1 3/2002 Stillwell et al.
6,456,496 B1 9/2002 Aldridge et al.
6,681,800 B2 1/2004 Rudle et al.
6,764,338 B2 7/2004 Fang

6,827,610 B2 12/2004 Lin
6,846,198 B1 1/2005 Rasmussen
6,921,284 B2 7/2005 Sirichai et al.
6,971,907 B1 12/2005 Stroud
7,121,707 B2 10/2006 Currie et al.
7,121,883 B1 * 10/2006 Petersen et al. 439/582
7,530,841 B2 * 5/2009 Henningsen 439/578
D594,414 S * 6/2009 Ogata et al. D13/133
D596,579 S * 7/2009 Chawgo et al. D13/151
D596,580 S * 7/2009 Chawgo et al. D13/151
D596,581 S * 7/2009 Amidon D13/151

FOREIGN PATENT DOCUMENTS

WO WO 00/26997 6/2000

OTHER PUBLICATIONS

Photographs (2) of connector on market, circa. 2007.

* cited by examiner

FIG. 1

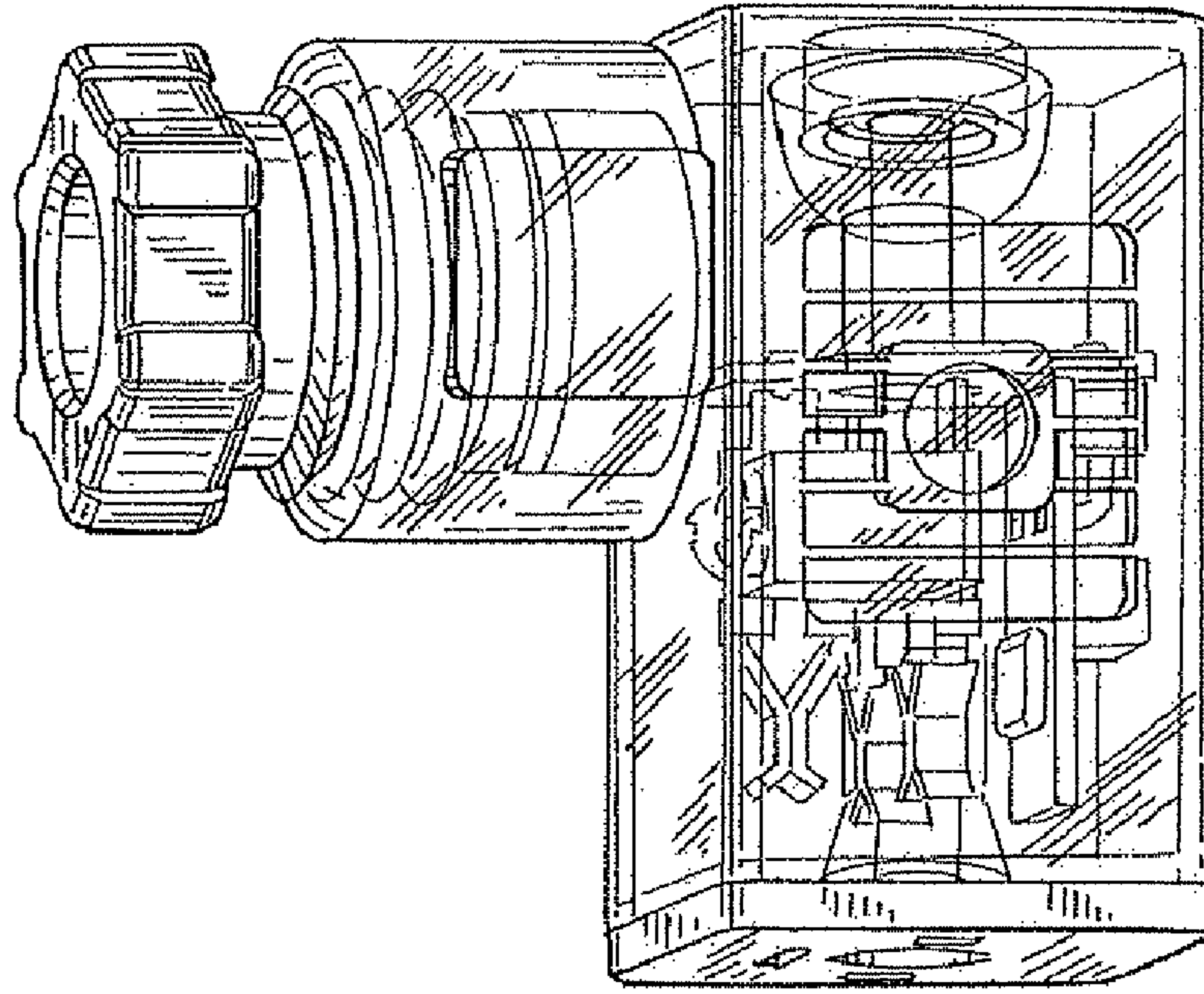


FIG. 2

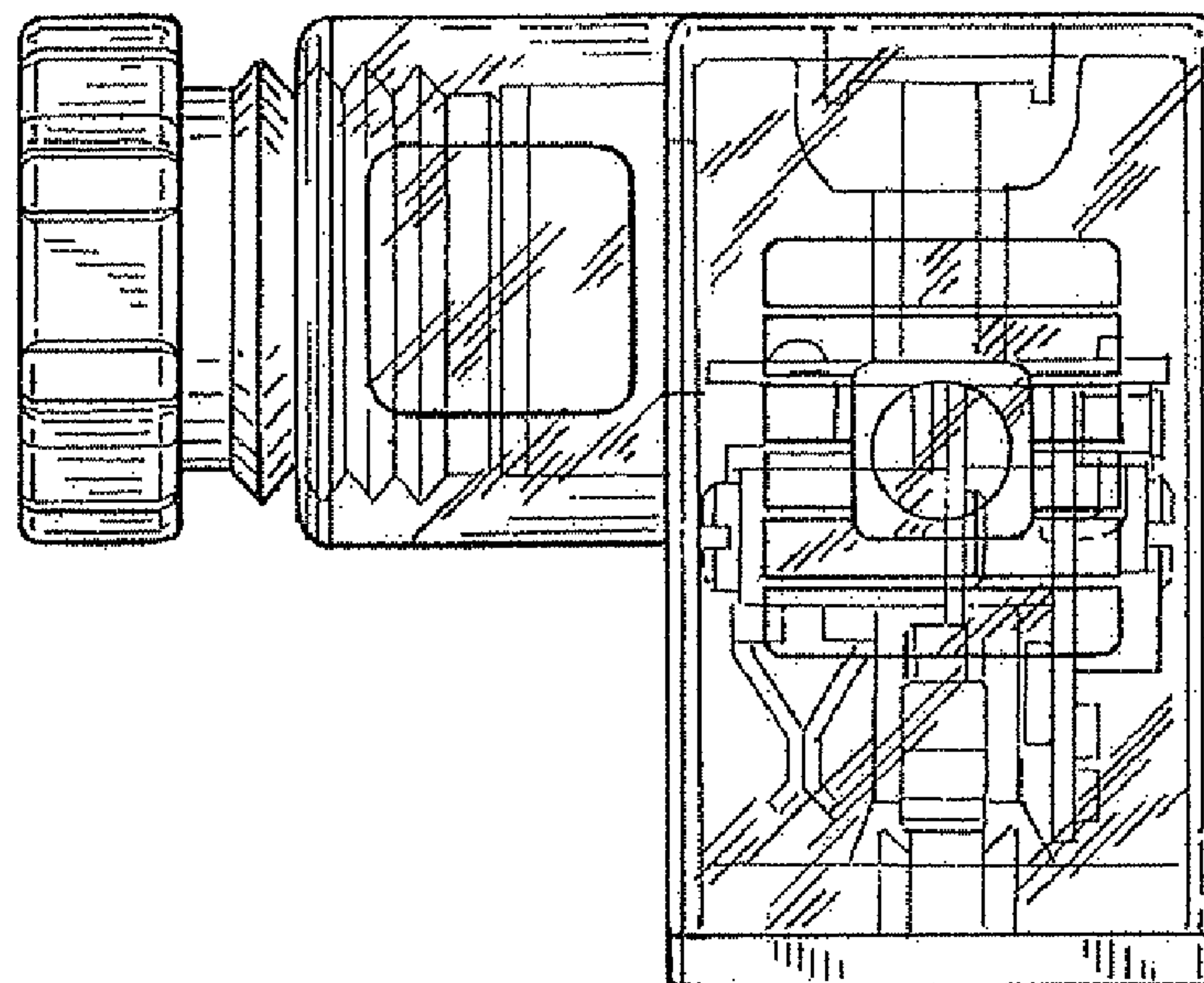


FIG. 3

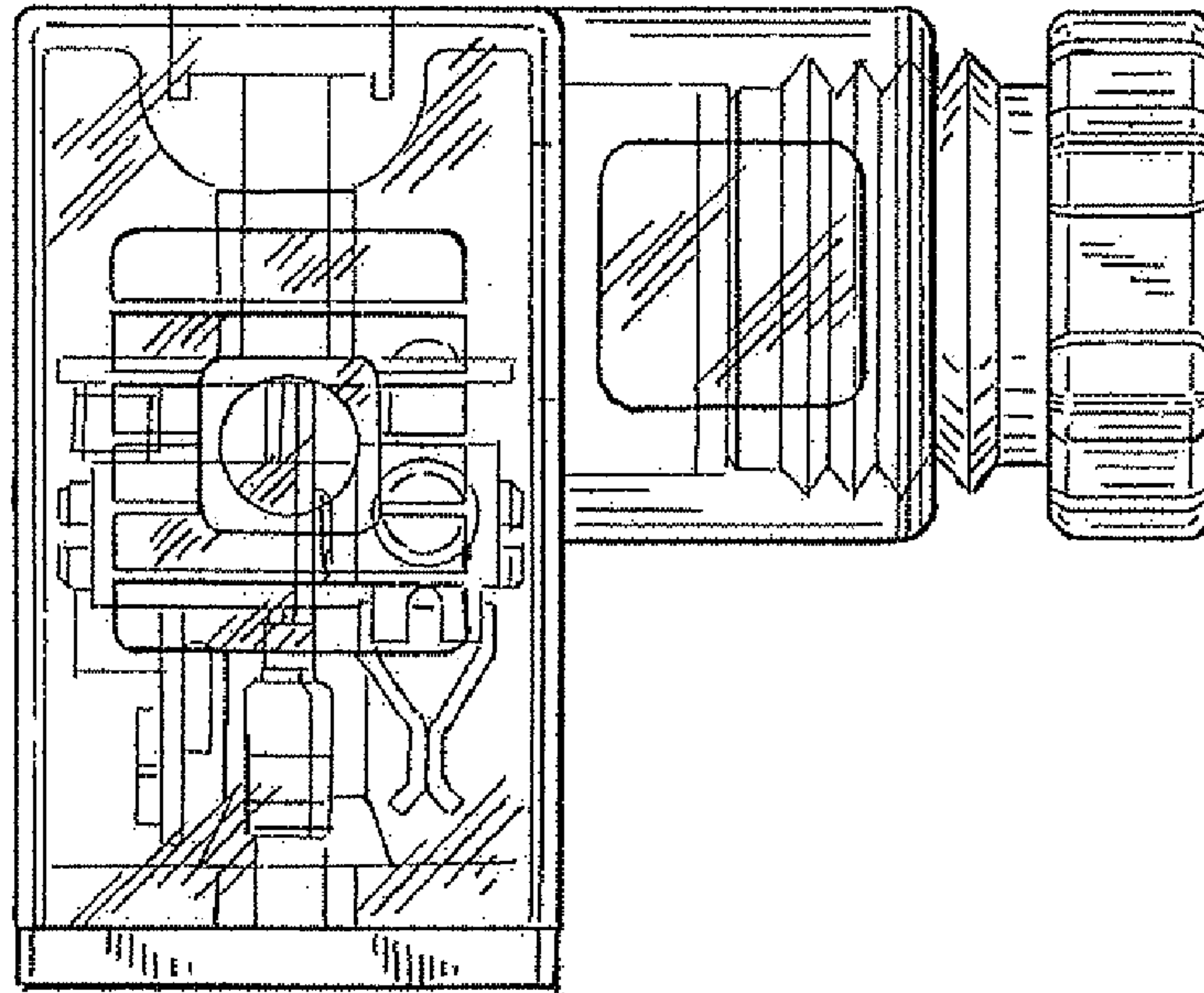


FIG. 4

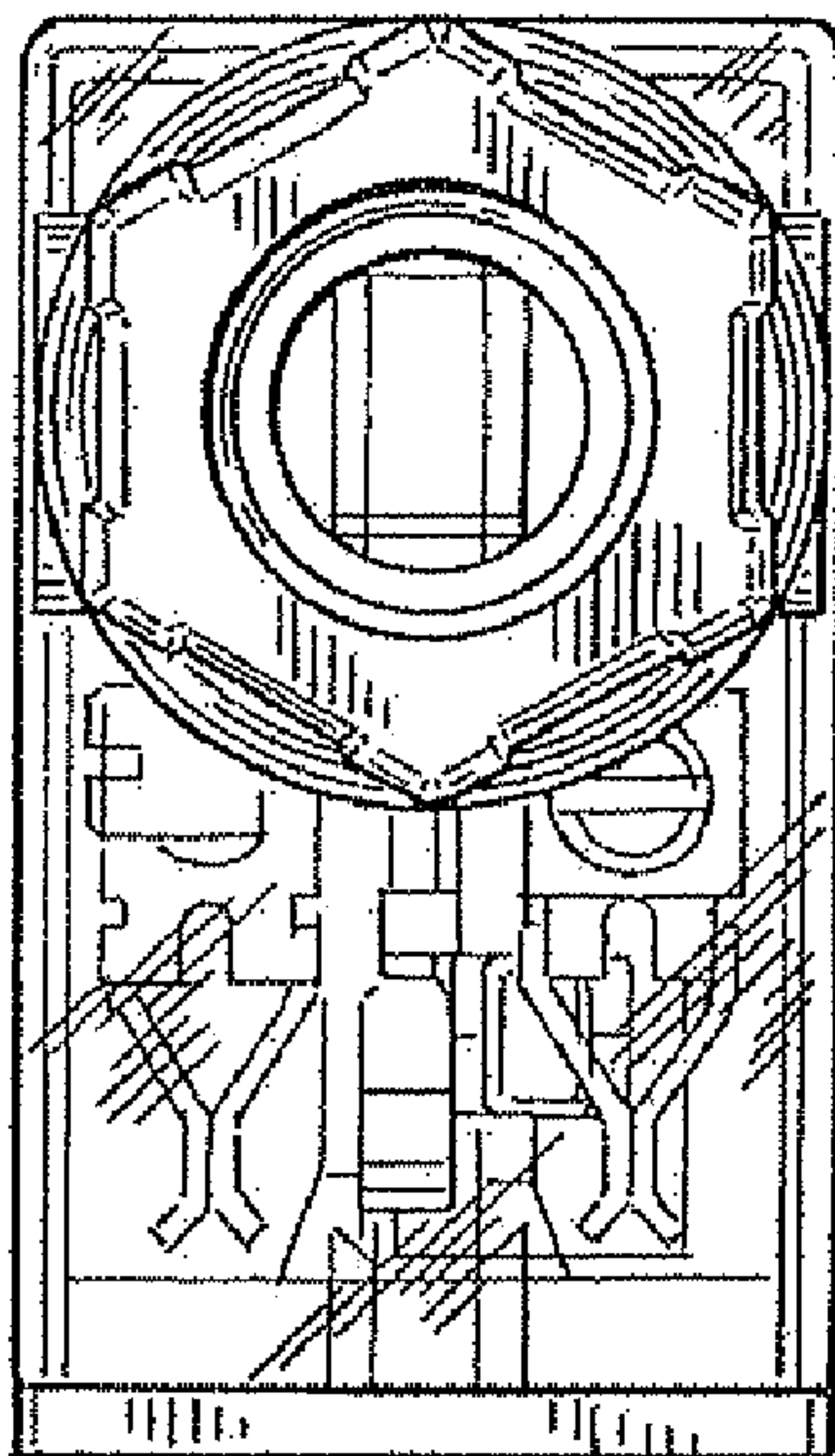


FIG. 5

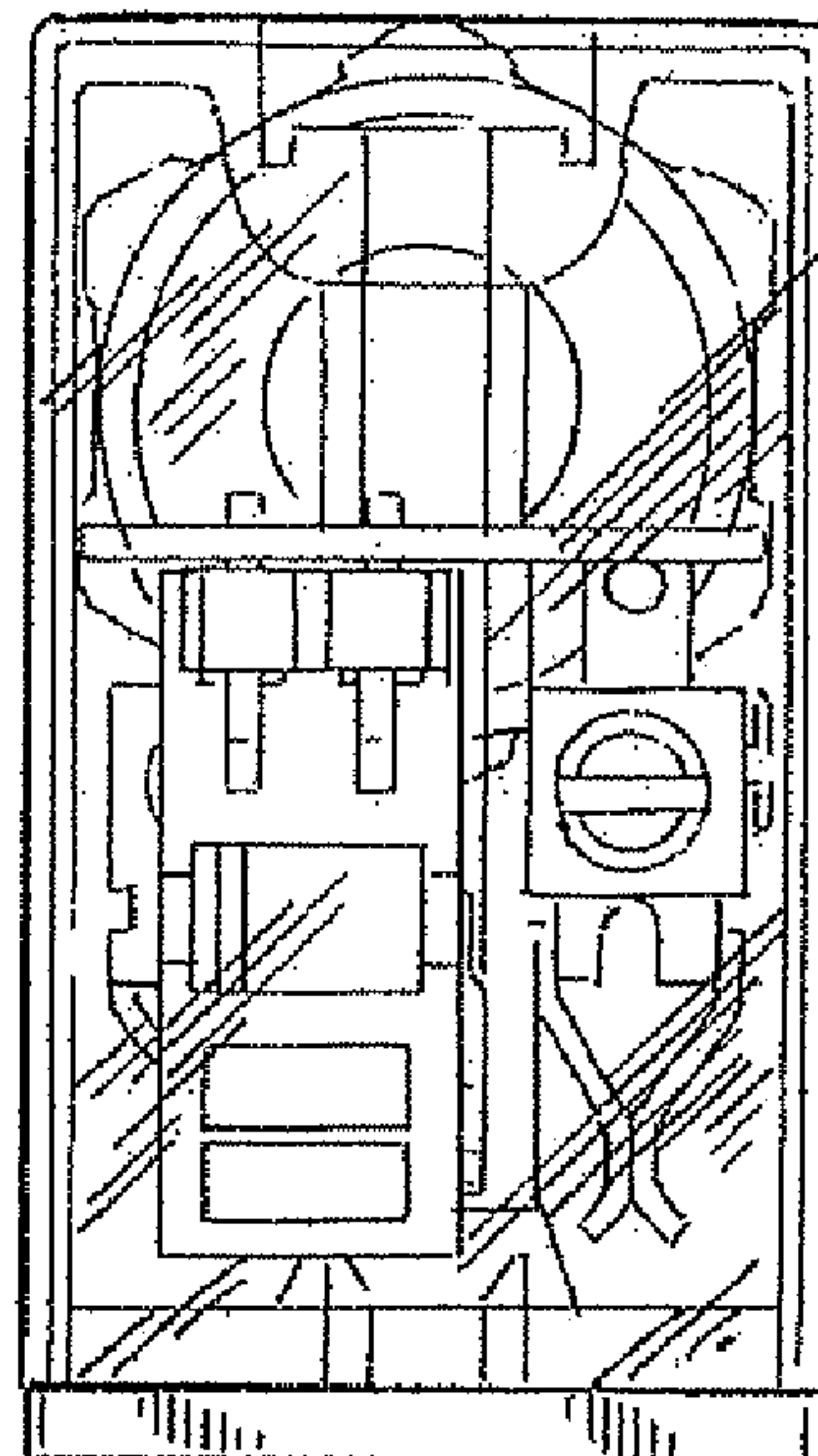


FIG. 6

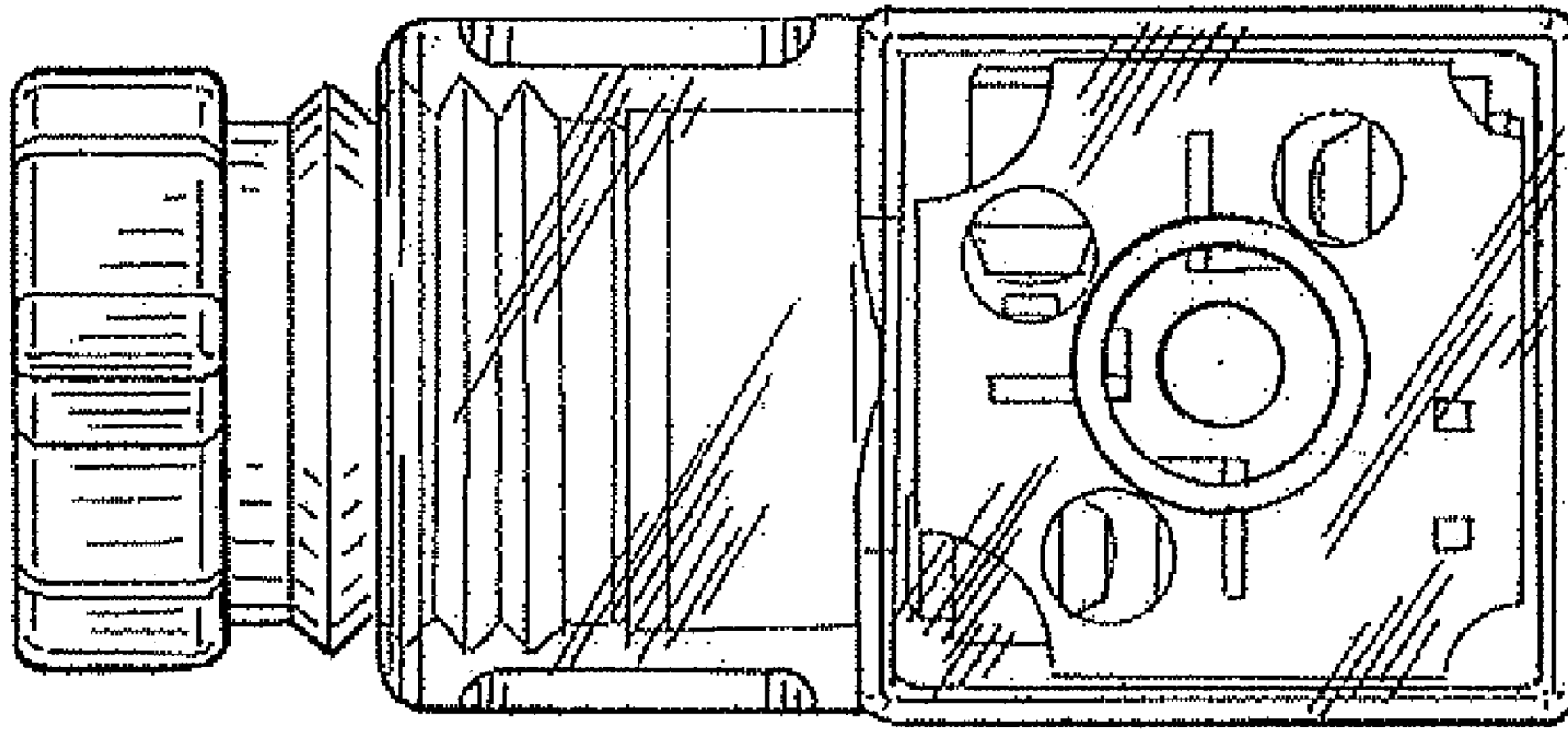


FIG. 7

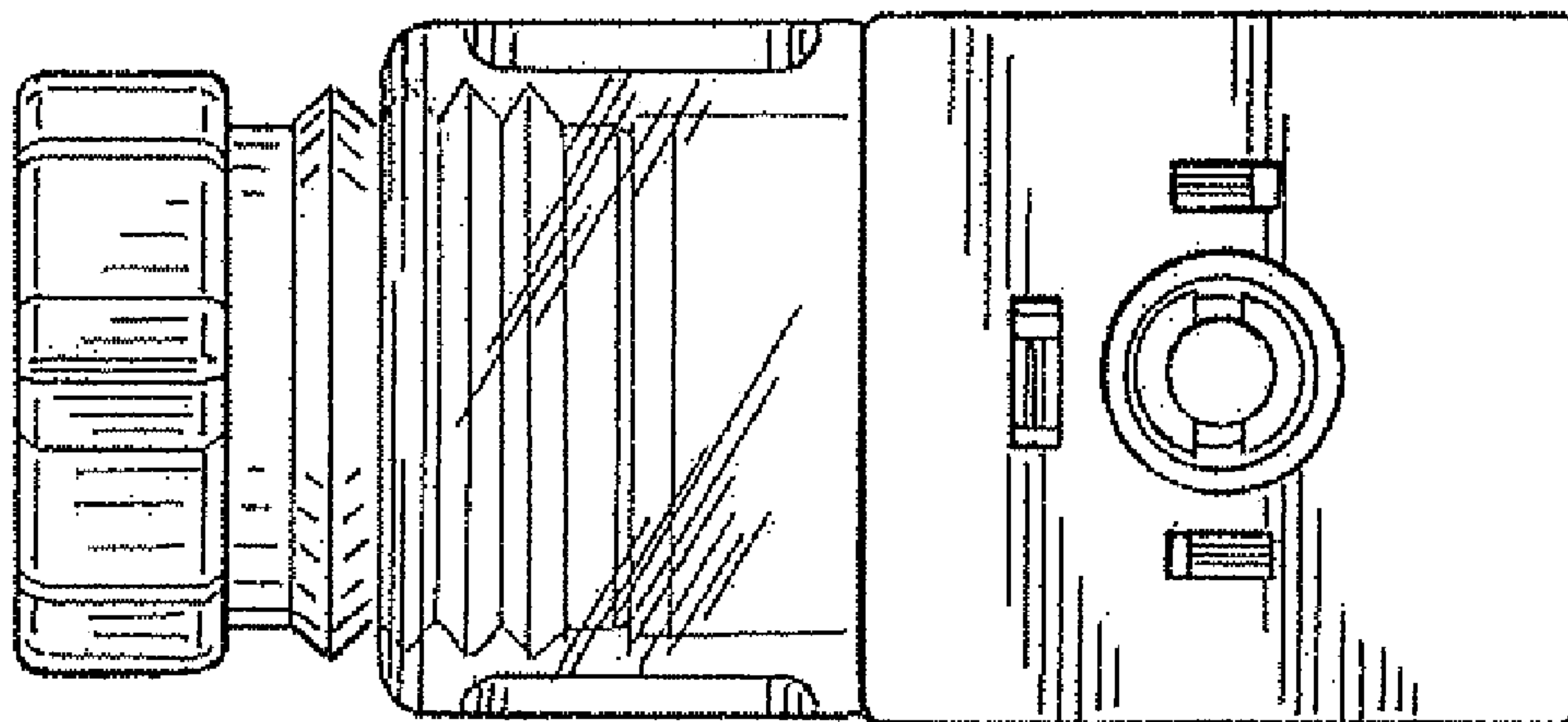


FIG. 8

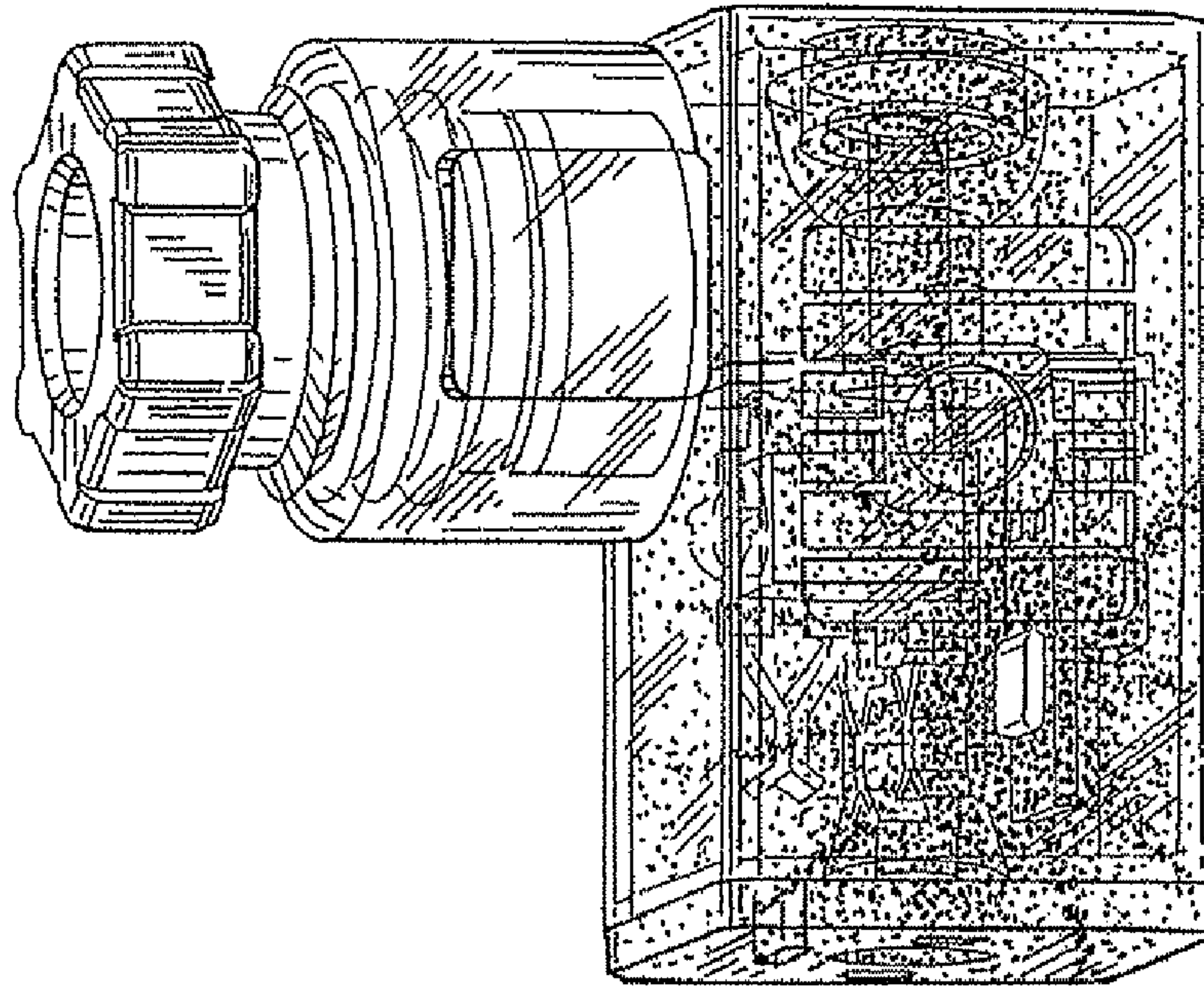


FIG. 9

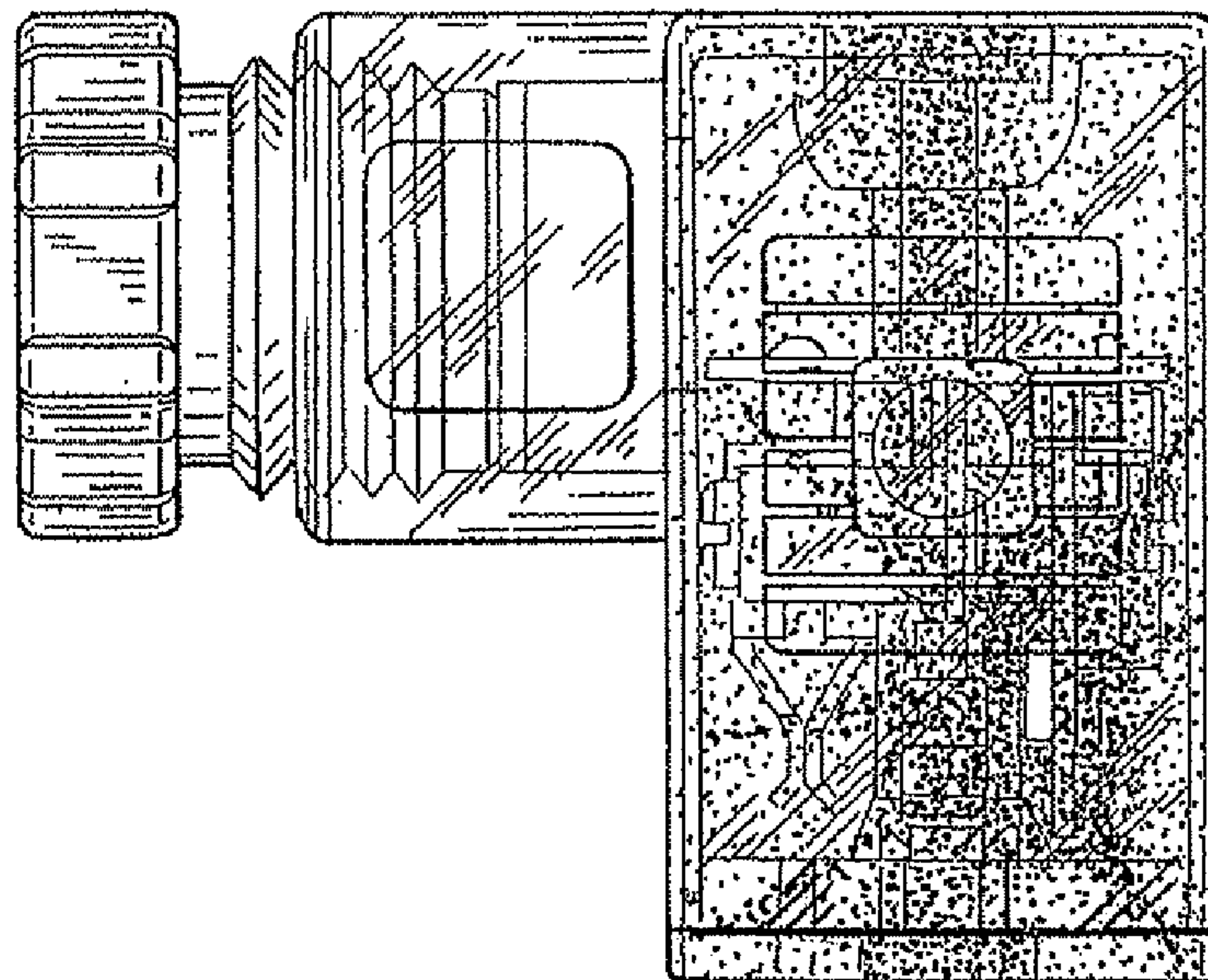


FIG. 10

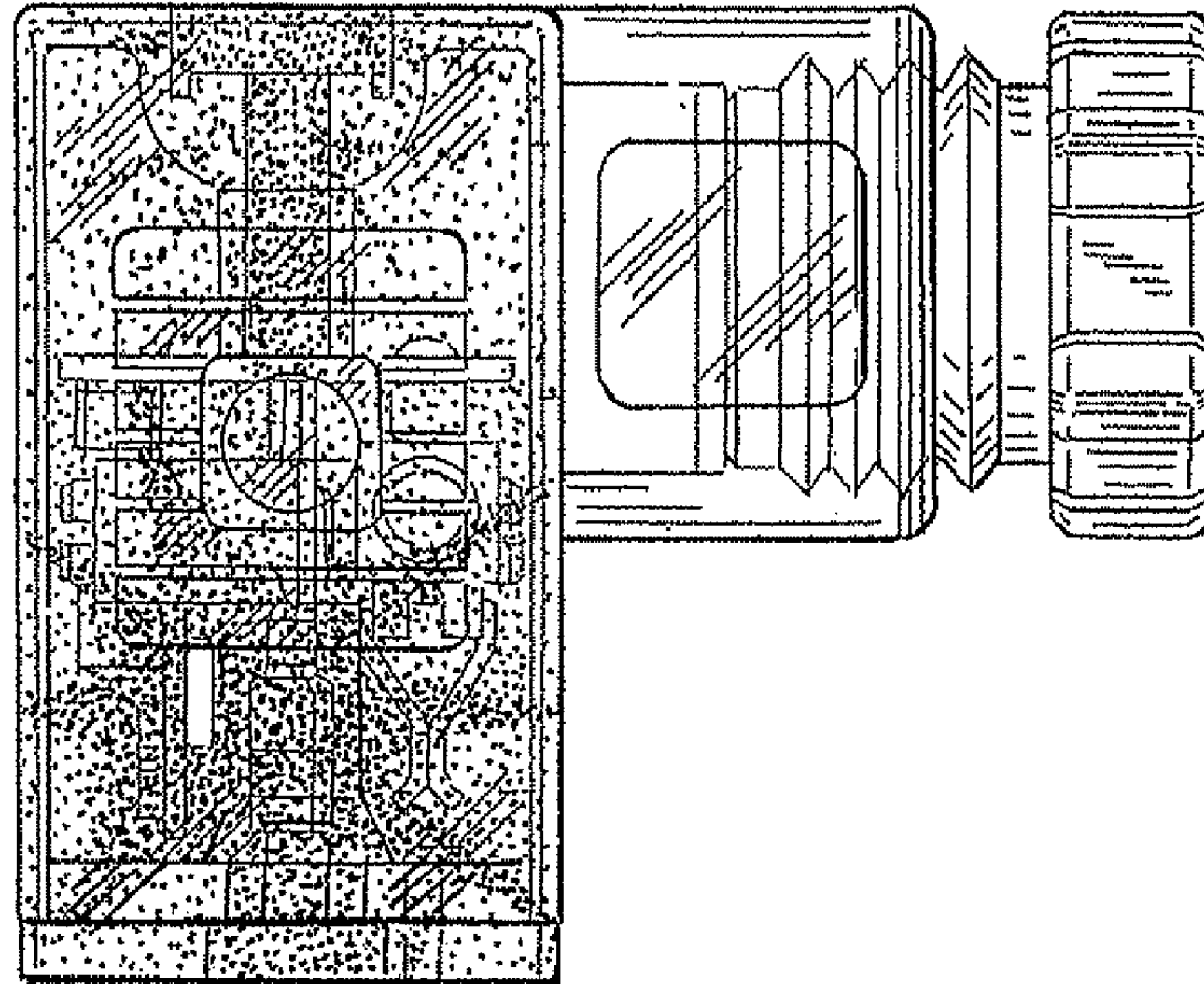


FIG. 11

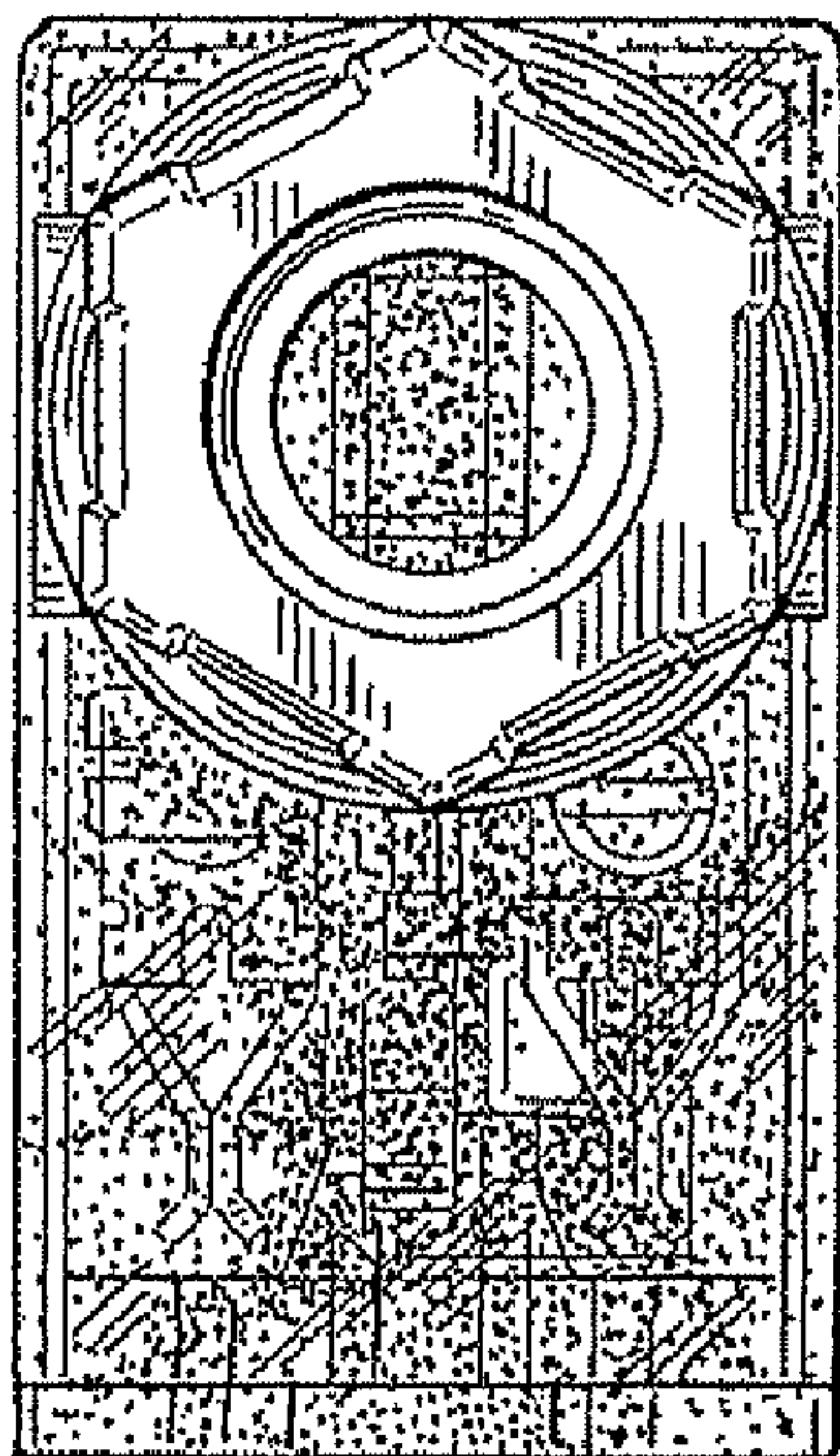


FIG. 12

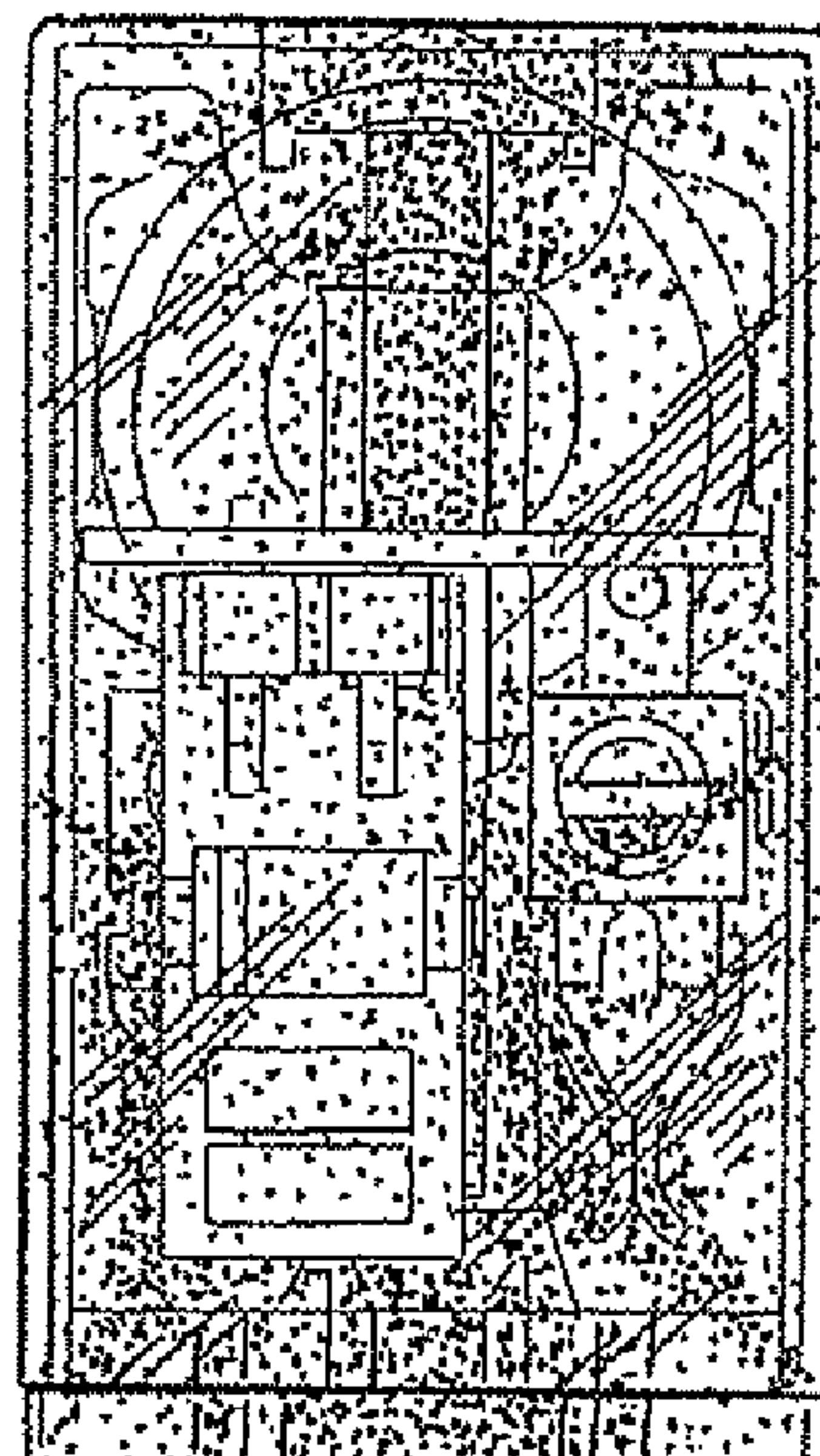


FIG. 13

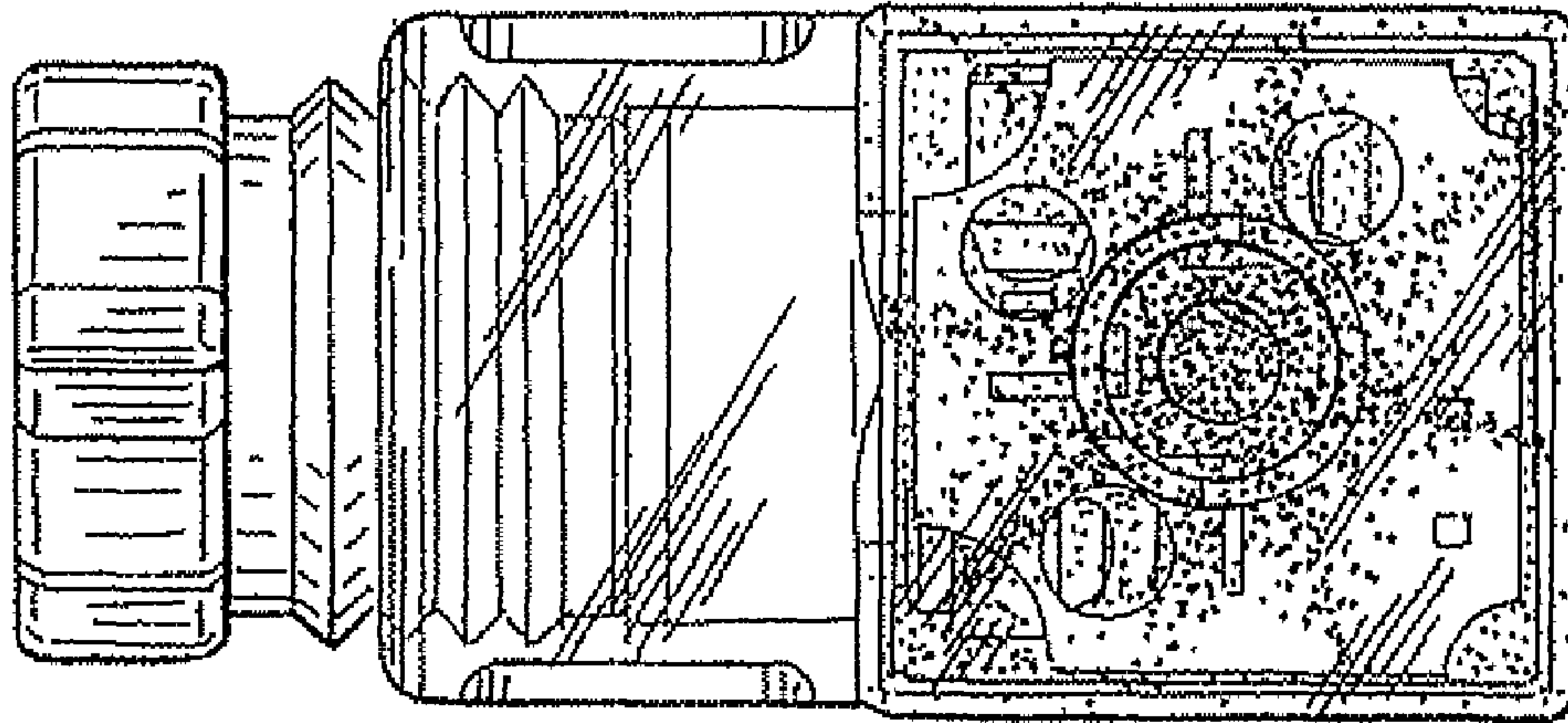


FIG. 14

