



US00D622215S

(12) **United States Design Patent**
Heimbruch et al.

(10) **Patent No.:** **US D622,215 S**

(45) **Date of Patent:** **** Aug. 24, 2010**

(54) **CONCRETE VIBRATOR MOTOR AND HOUSING THEREFOR**

D464,621 S * 10/2002 Segawa D13/112
6,543,926 B2 * 4/2003 Sherez 366/108
D531,476 S * 11/2006 Kokawa et al. D8/69

(75) Inventors: **Glenn Heimbruch**, Franklin, WI (US);
Paul Jaworski, Shorewood, IL (US)

OTHER PUBLICATIONS

Wyco Electric Square Head Concrete Vibrator.

(73) Assignee: **Racine Federated, Inc.**, Racine, WI (US)

* cited by examiner

(**) Term: **14 Years**

Primary Examiner—Prabhakar Deshmukh
Assistant Examiner—Derrick Holland

(21) Appl. No.: **29/316,663**

(74) *Attorney, Agent, or Firm*—Wood, Phillips, Katz, Clark & Mortimer

(22) Filed: **Oct. 19, 2009**

(57) **CLAIM**

(51) **LOC (9) Cl.** **13-02**

The ornamental design for a concrete vibrator motor and housing therefor, as shown and described.

(52) **U.S. Cl.** **D13/112**

(58) **Field of Classification Search** D13/112,
D13/113, 114, 122, 184, 199; D8/61, 69;
D15/1, 5, 7; 29/596, 598; 134/56 R, 116;
310/40 MM, 40 R, 85, 88, 89, 239; 322/16,
322/39; 366/108, 120, 122, 128

DESCRIPTION

See application file for complete search history.

FIG. 1 is a front side elevation view of a concrete vibrator motor and housing therefor showing our new design;

FIG. 2 is a right side elevation view thereof;

FIG. 3 is a rear side elevation view thereof;

FIG. 4 is a left side elevation view thereof;

FIG. 5 is a top plan view thereof; and,

FIG. 6 is a bottom plan view thereof.

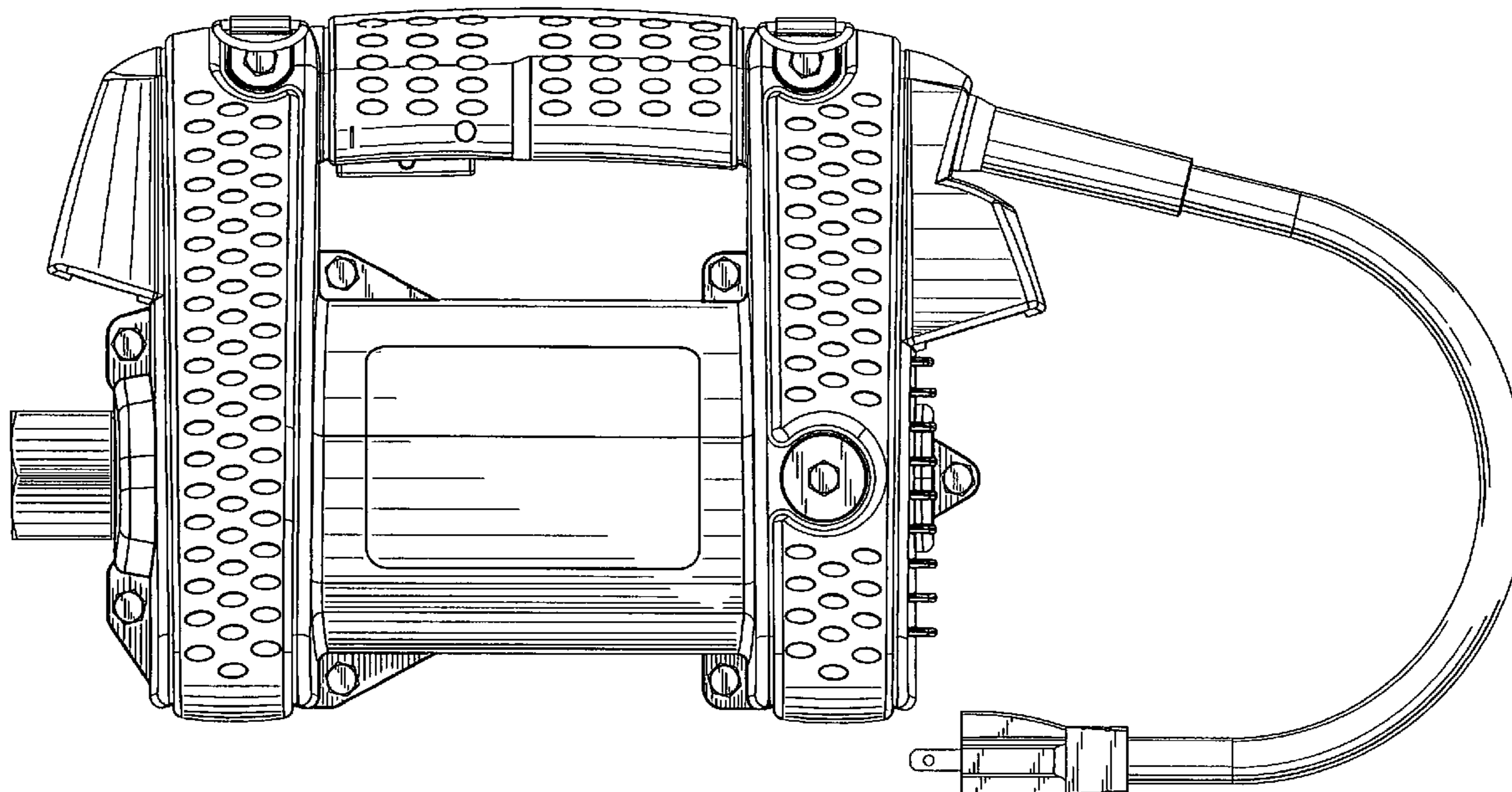
The broken lines shown are for illustrative purposes only and form no part of the claimed design.

(56) **References Cited**

U.S. PATENT DOCUMENTS

D184,345 S * 2/1959 Racine D13/112
3,180,625 A * 4/1965 Wyzenbeek 366/122
D236,898 S 9/1975 Holther, Jr.
3,984,254 A 10/1976 Holther, Jr.
D259,261 S * 5/1981 MacLaren D15/7
5,716,131 A * 2/1998 Breeding 366/120
D462,937 S * 9/2002 Nord D13/112

1 Claim, 6 Drawing Sheets



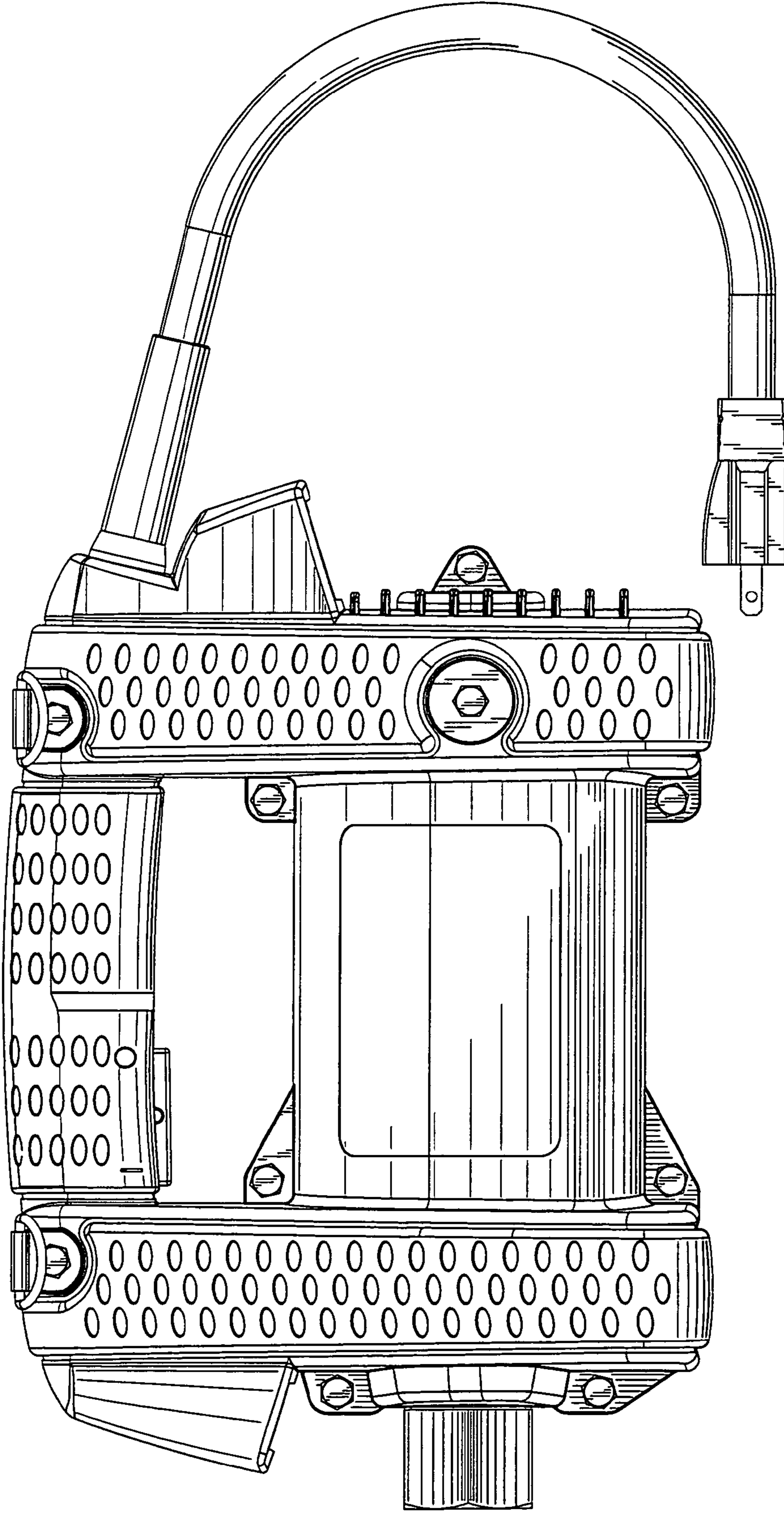
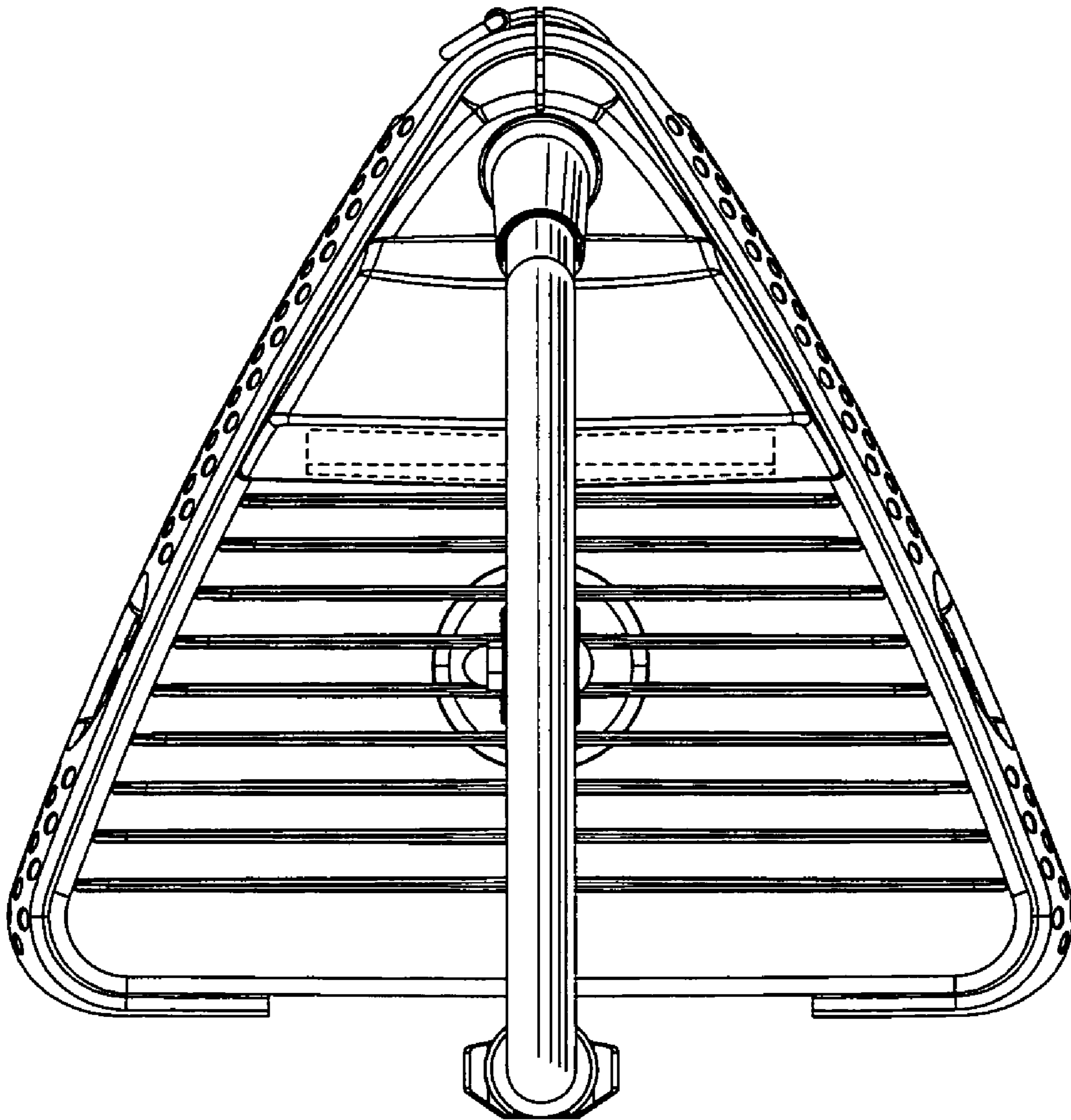


Fig. 1

Fig. 2



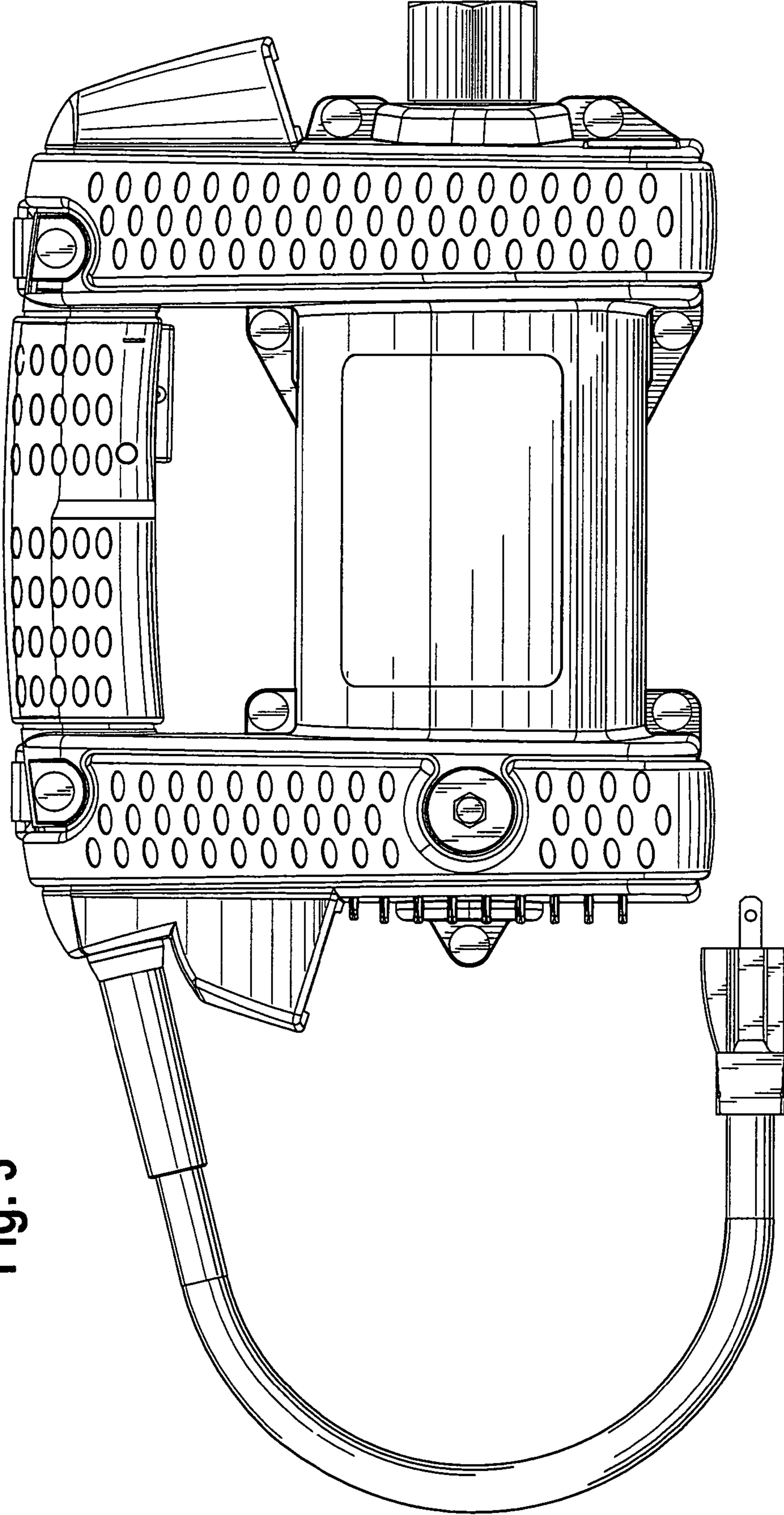
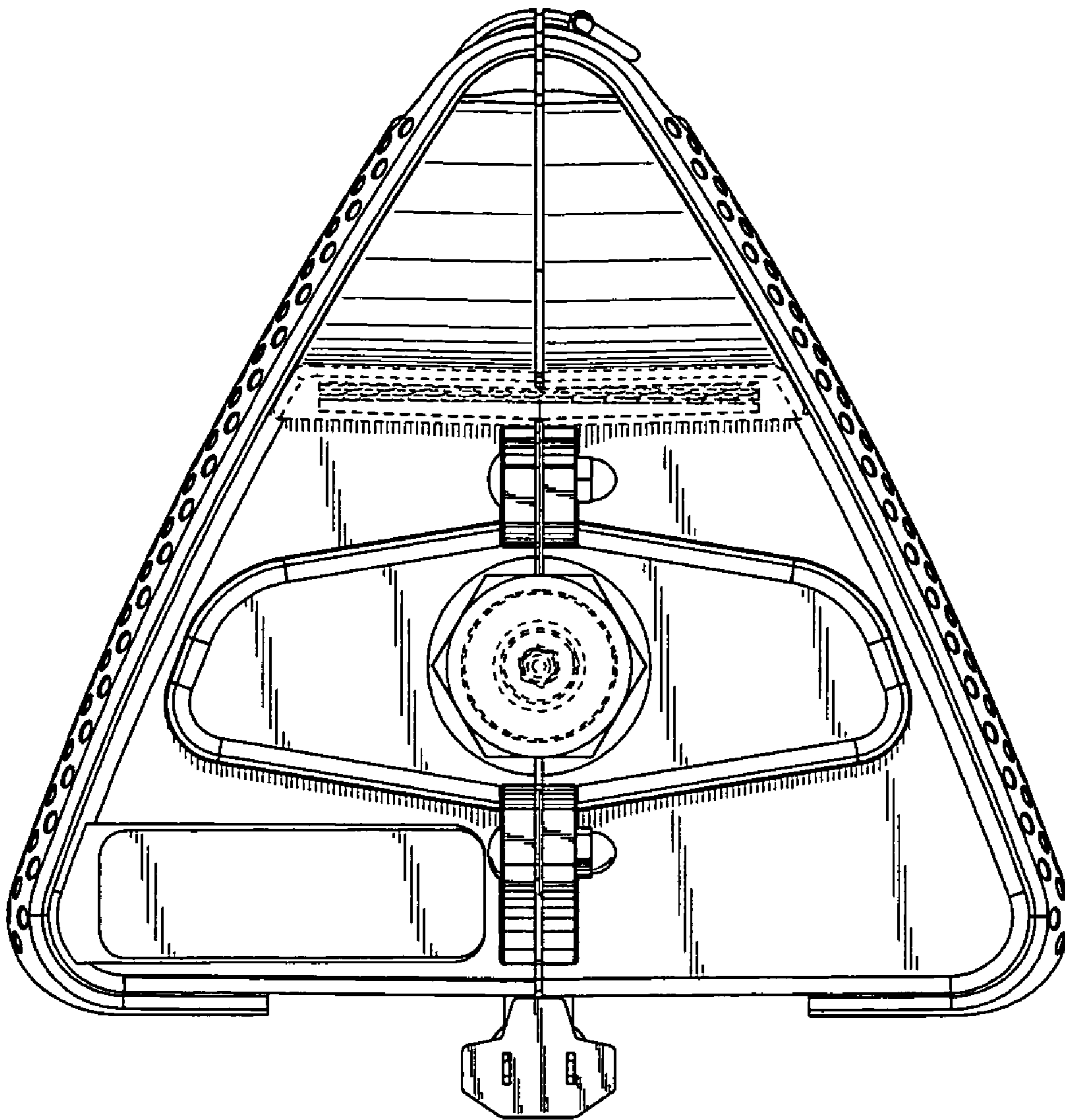


Fig. 3

Fig. 4



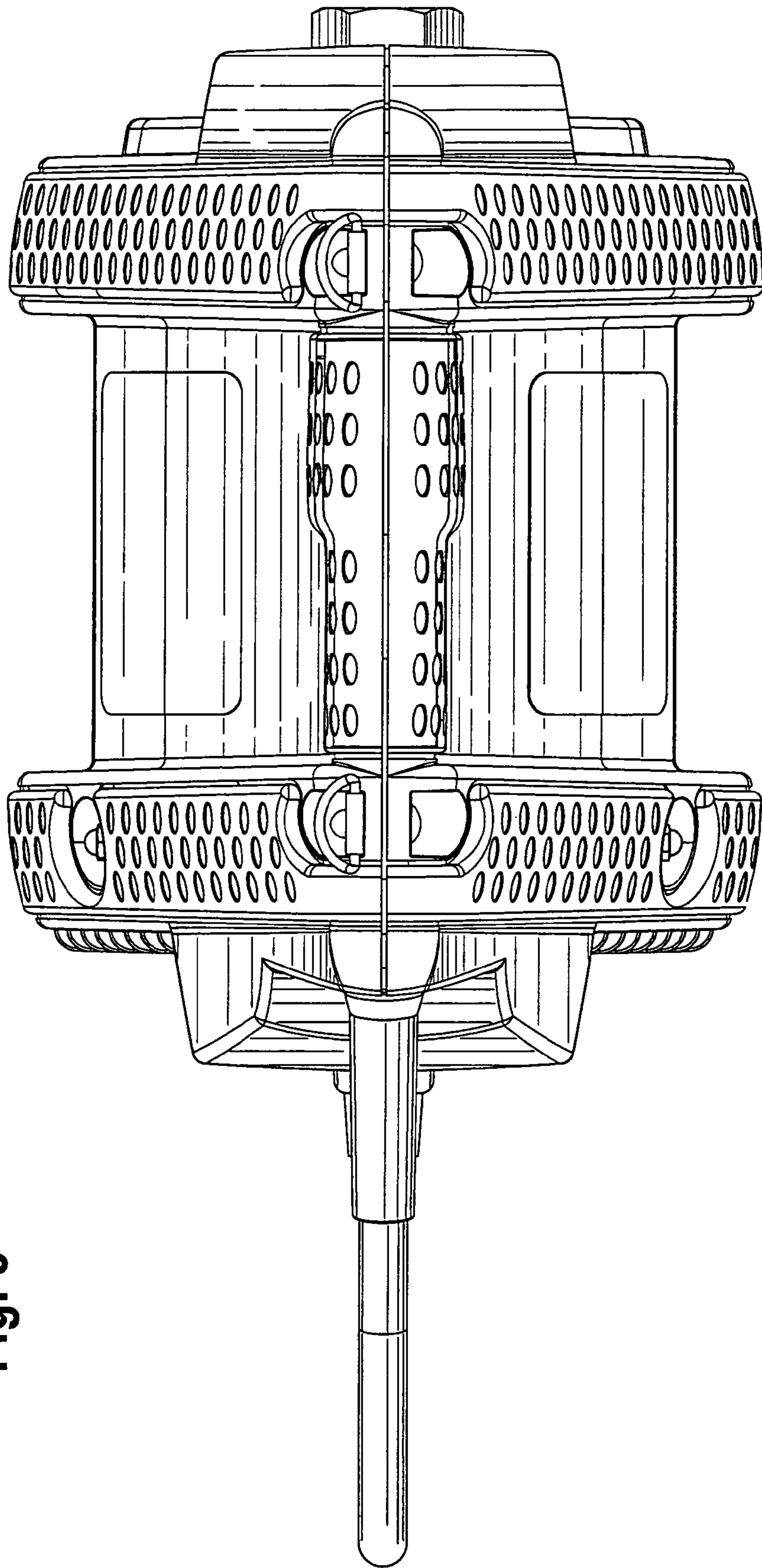


Fig. 5

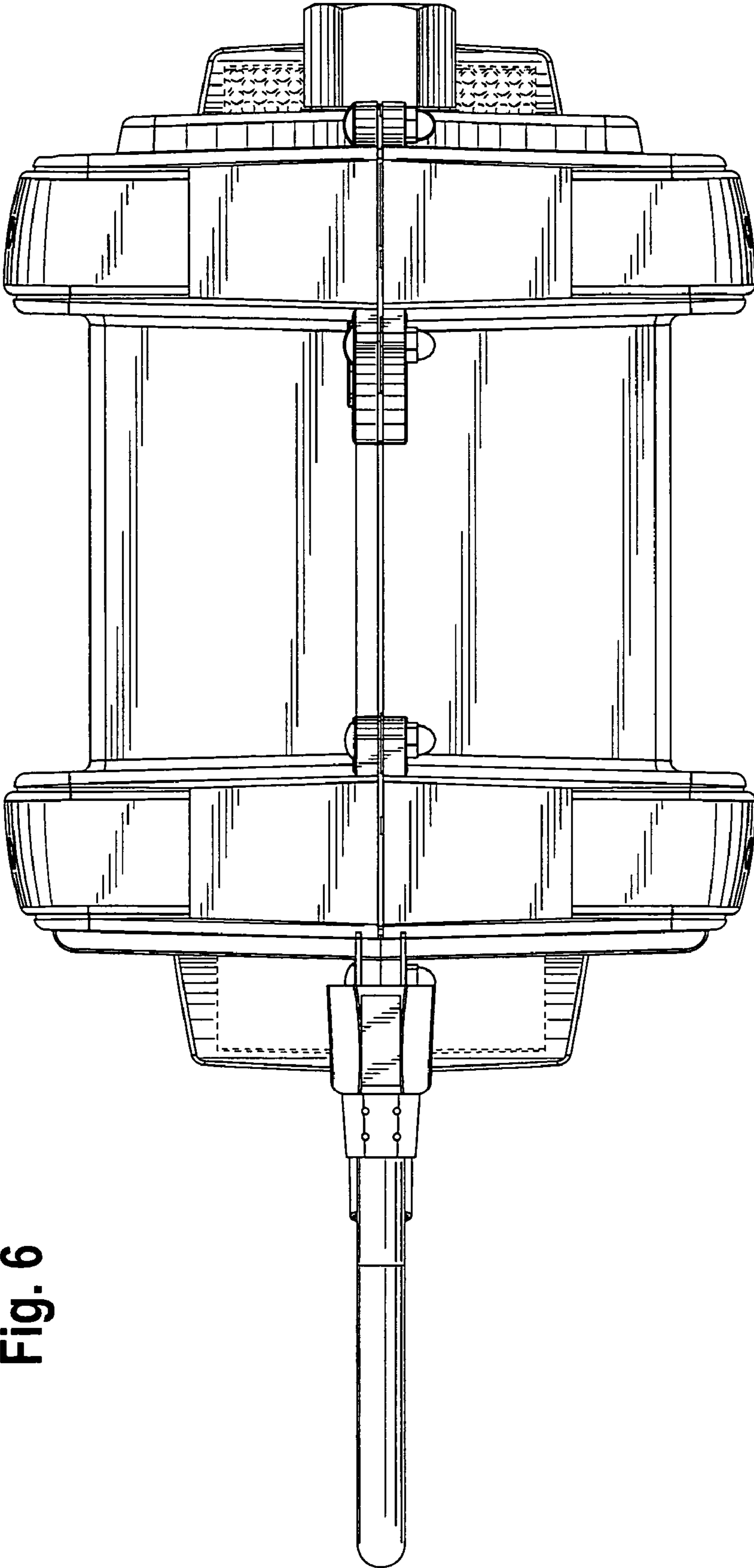


Fig. 6