



US00D622214S

(12) **United States Design Patent**  
**Thorsteinsson et al.**

(10) **Patent No.:** **US D622,214 S**  
(45) **Date of Patent:** **\*\* Aug. 24, 2010**

(54) **ELECTRICAL TRANSFORMER**

(75) Inventors: **Sigurdur Thorsteinsson**, Milan (IT);  
**Egil Stryken**, Solbergelva (NO);  
**Richard Tinggren**, Thalwil (CH)

(73) Assignee: **ABB Technology AG**, Zurich (CH)

(\*\*) Term: **14 Years**

(21) Appl. No.: **29/356,632**

(22) Filed: **Mar. 1, 2010**

**Related U.S. Application Data**

(62) Division of application No. 29/336,557, filed on May 5, 2009, now Pat. No. Des. 613,687, which is a division of application No. 29/317,370, filed on Apr. 29, 2008, now Pat. No. Des. 594,408, which is a division of application No. 29/282,093, filed on Jul. 11, 2007, now Pat. No. Des. 570,282, which is a division of application No. 29/275,256, filed on Dec. 19, 2006, now Pat. No. Des. 550,155, which is a division of application No. 29/204,775, filed on May 5, 2004, now Pat. No. Des. 542,734.

**Foreign Application Priority Data**

(30) Nov. 12, 2003 (EM) ..... 000102397

(51) **LOC (9) Cl.** ..... **13-02**  
(52) **U.S. Cl.** ..... **D13/110**  
(58) **Field of Classification Search** ..... D13/110,  
D13/101, 199; 174/52 R; 220/4.02; 336/92,  
336/94, 98, 107; 363/153, 171  
See application file for complete search history.

**References Cited**

**U.S. PATENT DOCUMENTS**

2,325,470 A 7/1943 Bonanno et al.  
D188,248 S 6/1960 Albright et al.

D188,249 S 6/1960 Albright et al.  
2,947,957 A 8/1960 Spindler  
D195,975 S 8/1963 Bianco et al.  
D202,045 S 8/1965 Oberlin  
D210,130 S 2/1968 Stewart  
3,479,563 A 11/1969 Roy  
3,541,487 A \* 11/1970 Leonard ..... 336/58  
D219,923 S 2/1971 Marchand  
D222,480 S 10/1971 Canney  
3,781,741 A 12/1973 Weiner  
4,027,279 A 5/1977 Shigehara et al.  
D254,846 S 4/1980 Wood  
D257,342 S 10/1980 Payne  
4,257,027 A 3/1981 Yasuhisa  
D259,040 S 4/1981 Pierce  
D261,640 S \* 11/1981 Alber et al. .... D13/110

(Continued)

**OTHER PUBLICATIONS**

ABB Inc., Power Transformers, 2003, 11 pgs.

(Continued)

*Primary Examiner*—Prabhakar Deshmukh  
*Assistant Examiner*—Derrick Holland  
(74) *Attorney, Agent, or Firm*—Connolly Bove Lodge & Hutz LLP

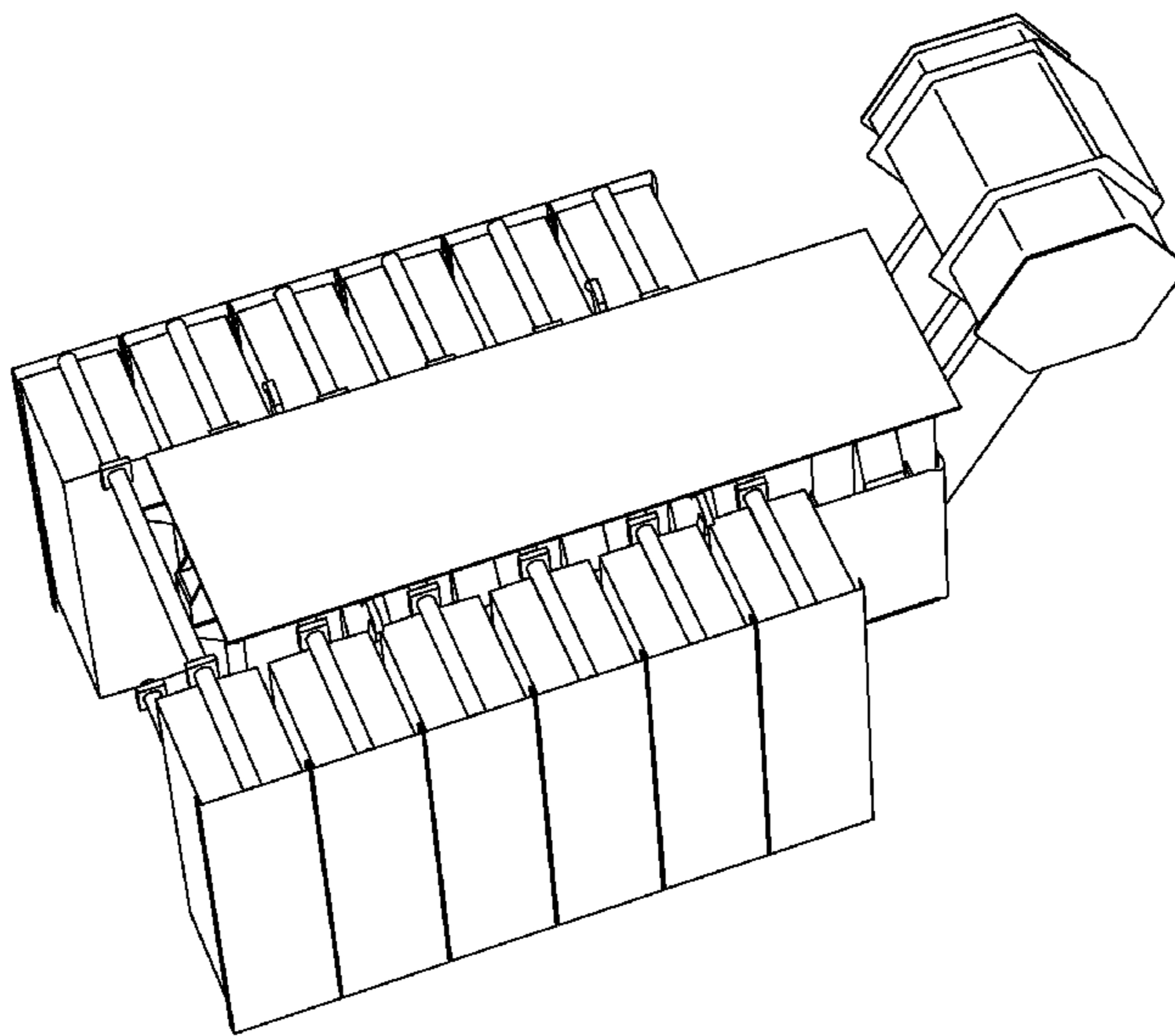
(57) **CLAIM**

The ornamental design for an electrical transformer, as shown and described.

**DESCRIPTION**

FIG. 1 is a front elevation view of an electrical transformer showing our new design;  
FIG. 2 is a top plan view thereof;  
FIG. 3 is a left side elevation view thereof; and,  
FIG. 4 is a perspective view thereof.

**1 Claim, 3 Drawing Sheets**



# US D622,214 S

Page 2

---

## U.S. PATENT DOCUMENTS

D290,456 S 6/1987 Burgher et al.  
D294,565 S 3/1988 Makinson et al.  
D324,371 S 3/1992 Patty  
D348,868 S 7/1994 Terlop et al.  
6,185,811 B1 2/2001 Perry et al.

## OTHER PUBLICATIONS

ASA Trafobau GmbH, 24 pgs.—Date unknown.

Koncar-Distributivni i Specijalni Transformatori d.d., Power Transformers (3,2) V 01, 8 pgs.—Date unknown.  
SGB Starkstrom and SMIT Transformers, Partners in Power, 6 pgs.—Date unknown.  
MF Transformatori srl, Oil Filled Transformer, 14 pgs., Date unknown.

\* cited by examiner

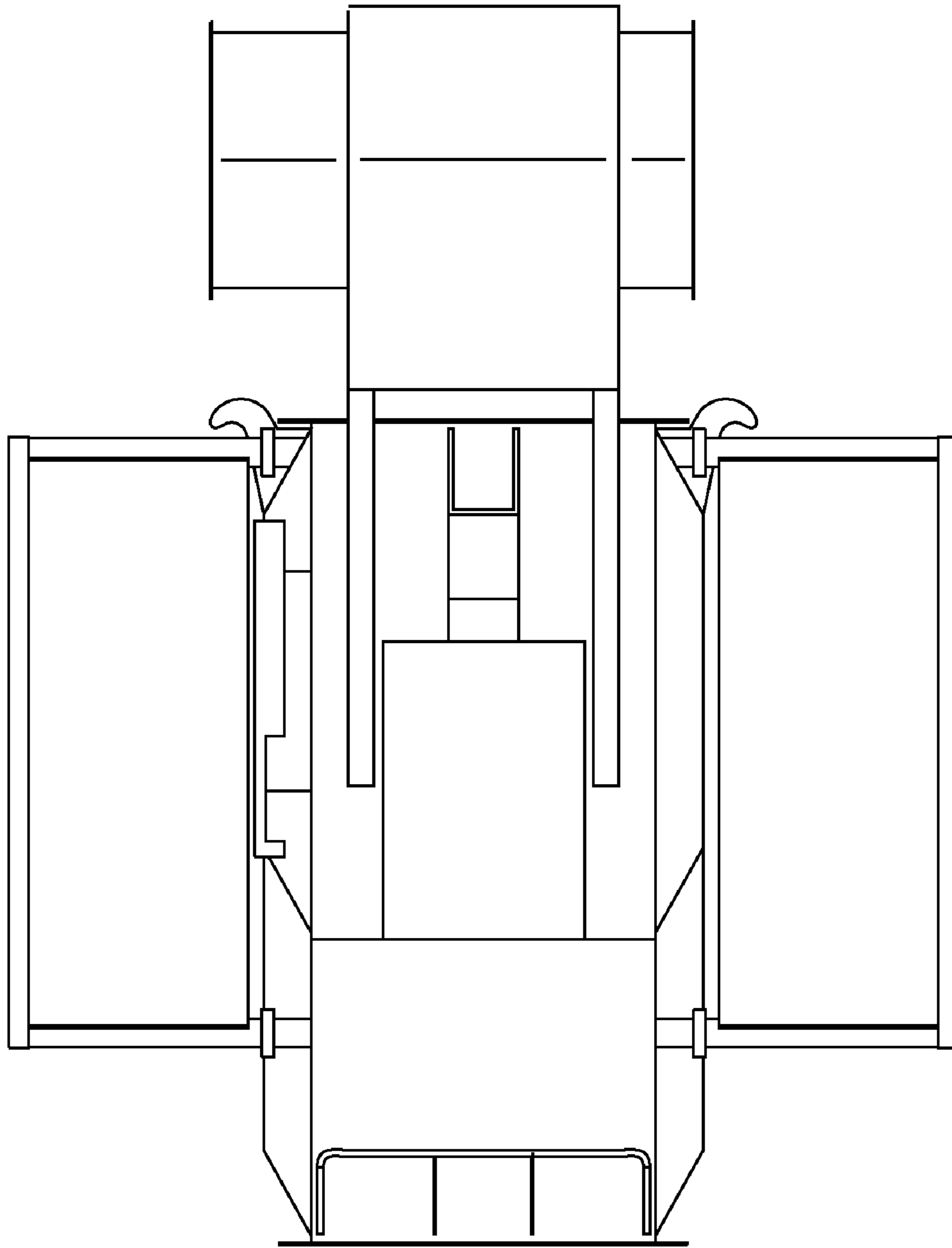


Fig. 1

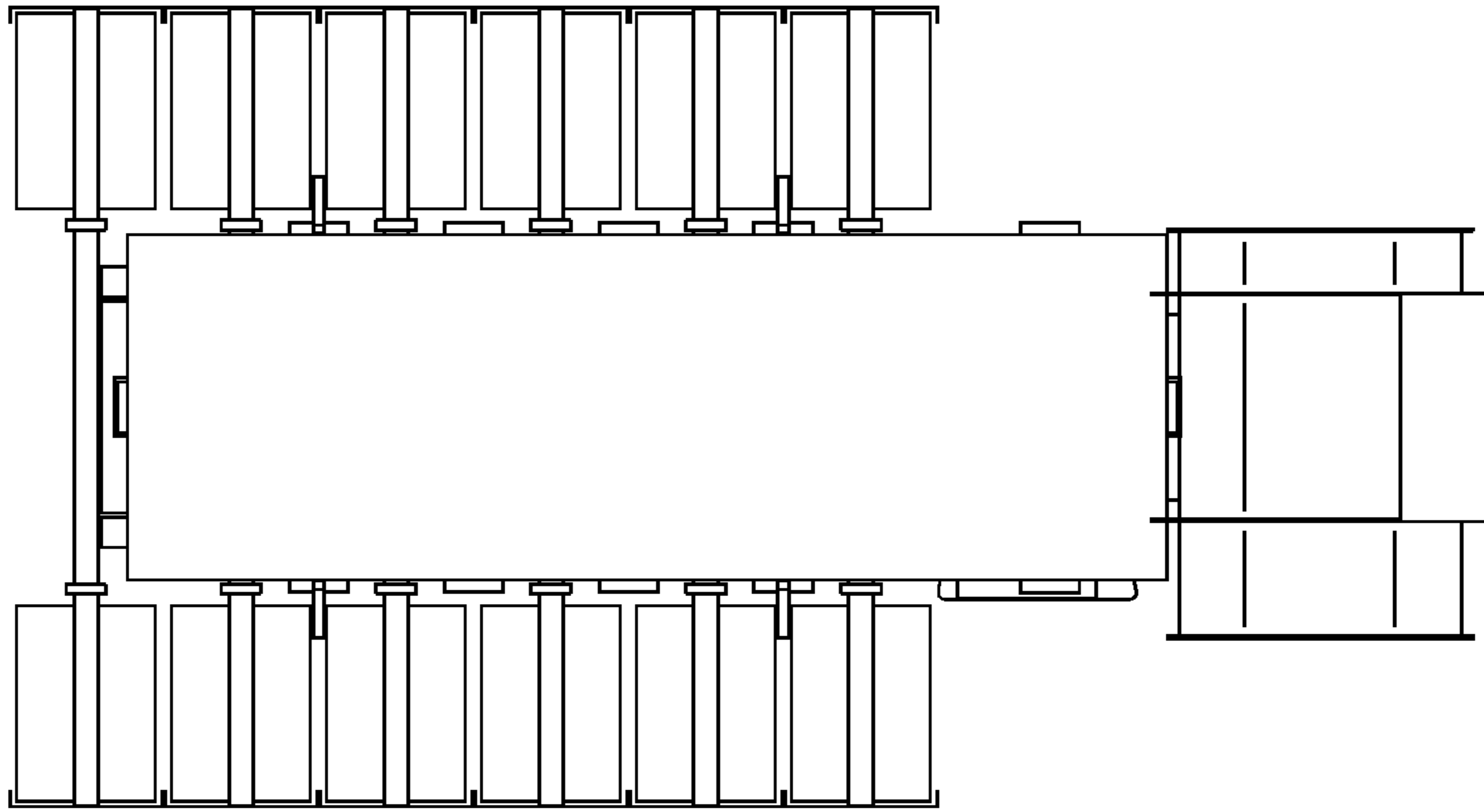


Fig. .2

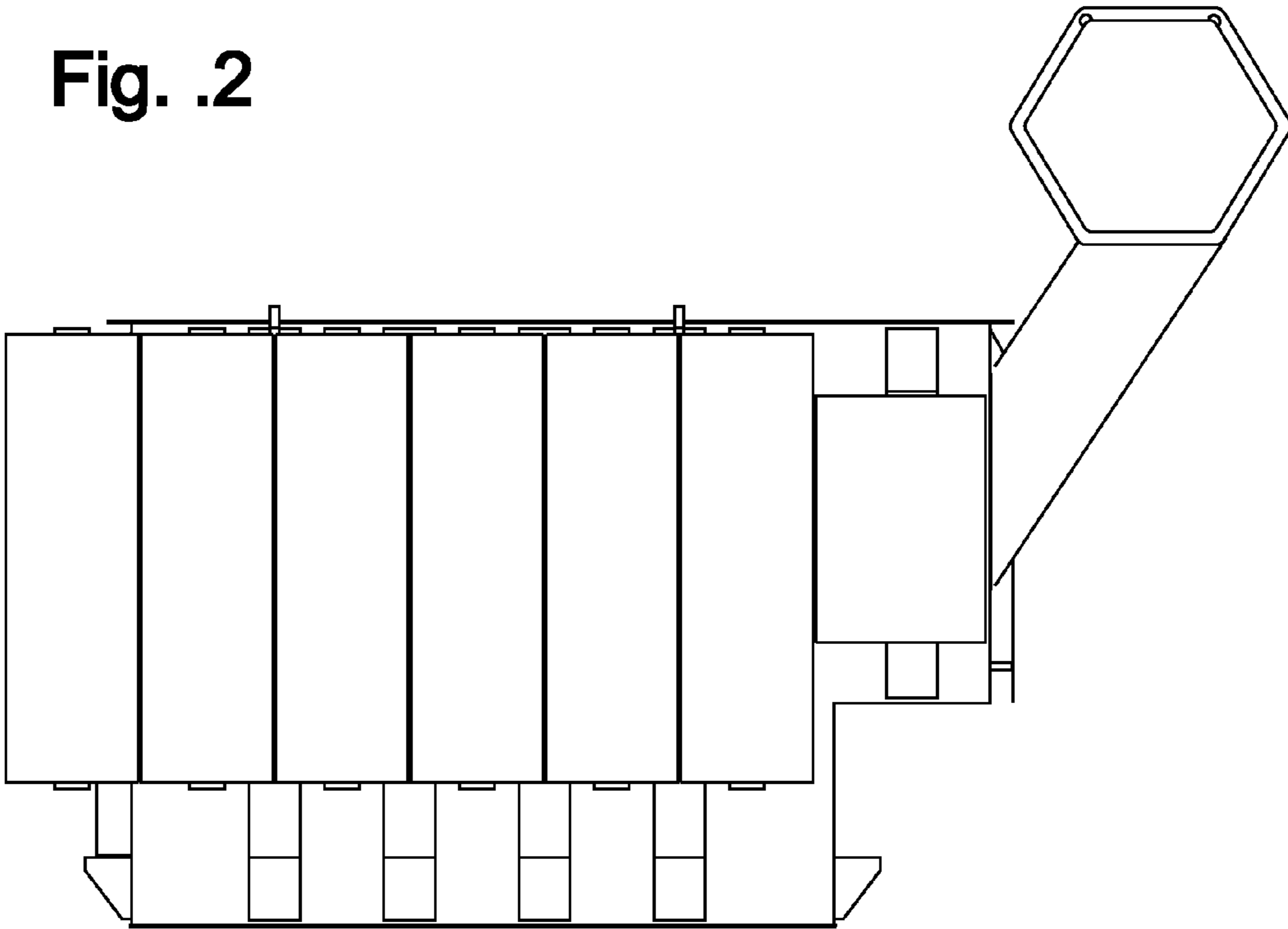


Fig. 3

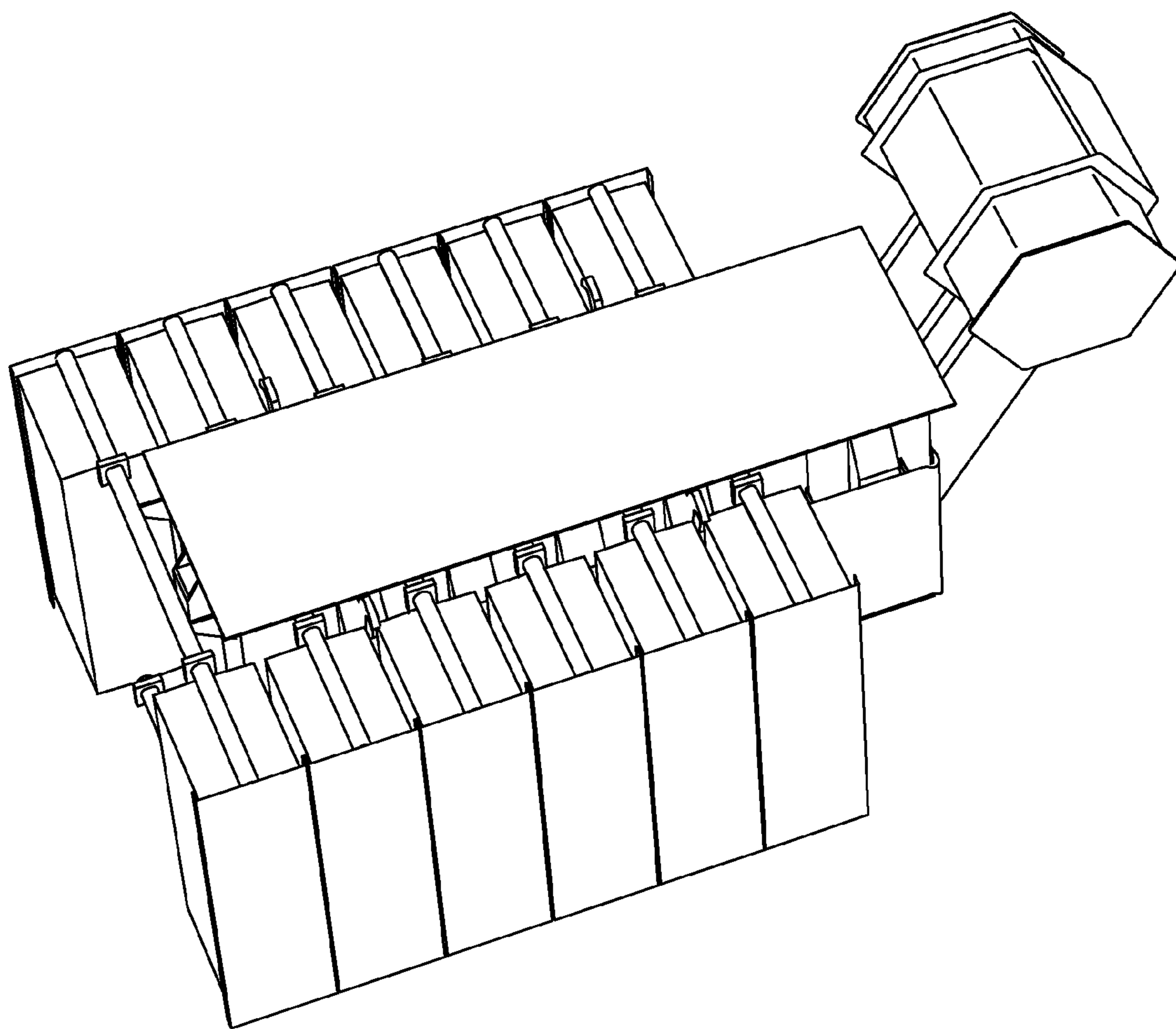


Fig. 4