



US00D622213S

(12) **United States Design Patent**
Nomi et al.

(10) **Patent No.:** **US D622,213 S**

(45) **Date of Patent:** **** Aug. 24, 2010**

(54) **BATTERY**

(75) Inventors: **Takuo Nomi**, Osaka (JP); **Shinji Oda**,
Osaka (JP)

(73) Assignee: **Sanyo Electric Co., Ltd.**, Osaka (JP)

(**) Term: **14 Years**

(21) Appl. No.: **29/347,376**

(22) Filed: **Dec. 18, 2009**

(30) **Foreign Application Priority Data**

Aug. 26, 2009 (JP) 2009-019523

(51) **LOC (9) Cl.** **13-02**

(52) **U.S. Cl.** **D13/103**

(58) **Field of Classification Search** D13/102-106,
D13/110, 118-119, 184, 199; 429/96-100,
429/163, 176

See application file for complete search history.

(56) **References Cited**

U.S. PATENT DOCUMENTS

D327,260 S * 6/1992 Davis et al. D14/433

D561,093 S * 2/2008 Sween et al. D13/110

D561,094 S * 2/2008 Sween et al. D13/110

D586,741 S * 2/2009 Song D13/103

D586,742 S * 2/2009 Song D13/103

D590,334 S * 4/2009 Tatehata et al. D13/103

D601,490 S * 10/2009 Zhu et al. D13/102

* cited by examiner

Primary Examiner—Rosemary K Tarcza

(74) *Attorney, Agent, or Firm*—Rabin & Berdo, PC

(57) **CLAIM**

The ornamental design for a battery, as shown and described.

DESCRIPTION

FIG. 1 is a perspective front elevation view of a battery showing our new design;

FIG. 2 is a front elevation view thereof;

FIG. 3 is a rear elevation view thereof;

FIG. 4 is a top plan view thereof;

FIG. 5 is a bottom plan view thereof; and,

FIG. 6 is a right side view thereof, the left side view being a mirror image.

The broken lines shown in the figures are for illustrative purposes only and form no part of the claimed design.

1 Claim, 3 Drawing Sheets

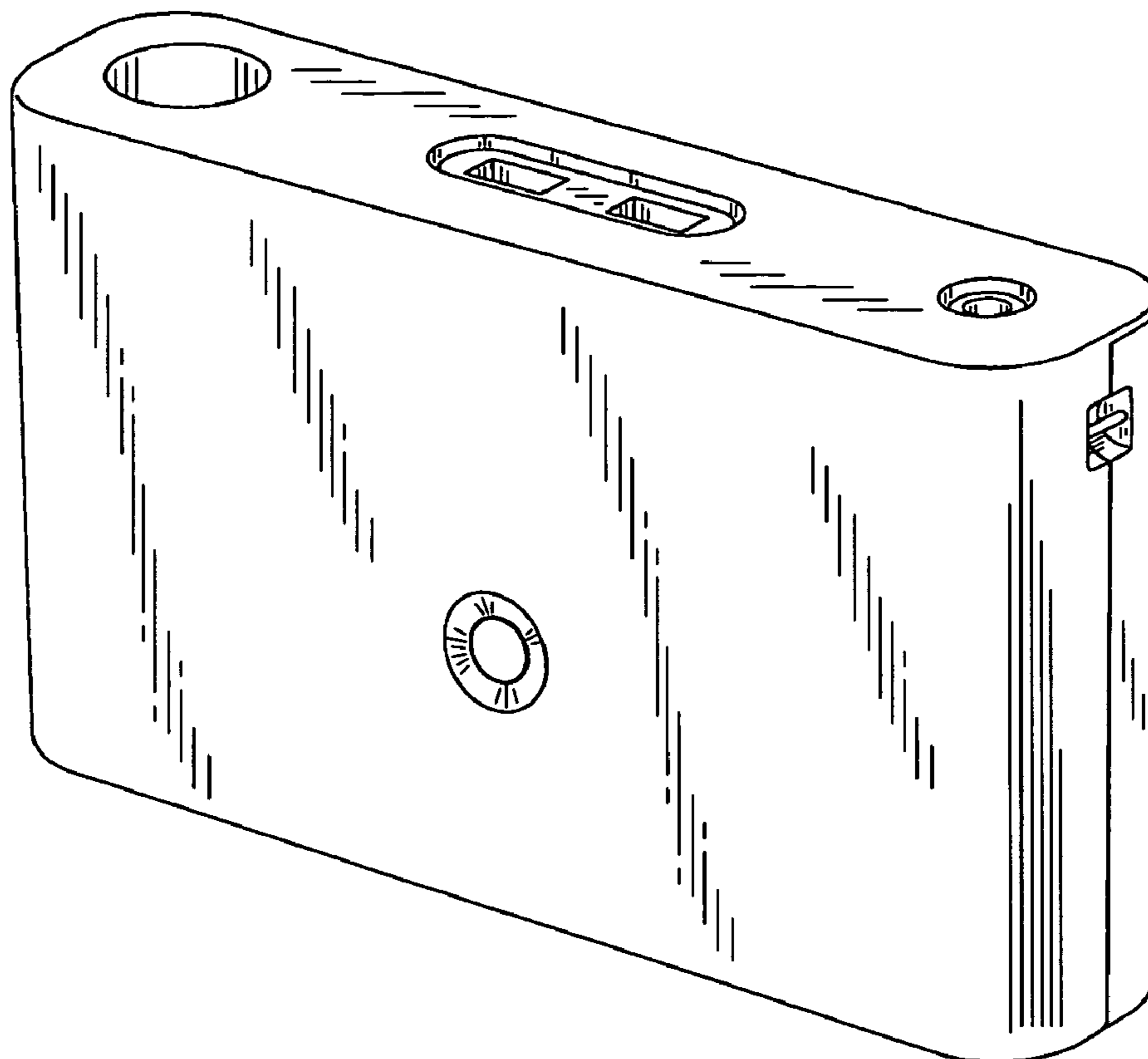


FIG. 1

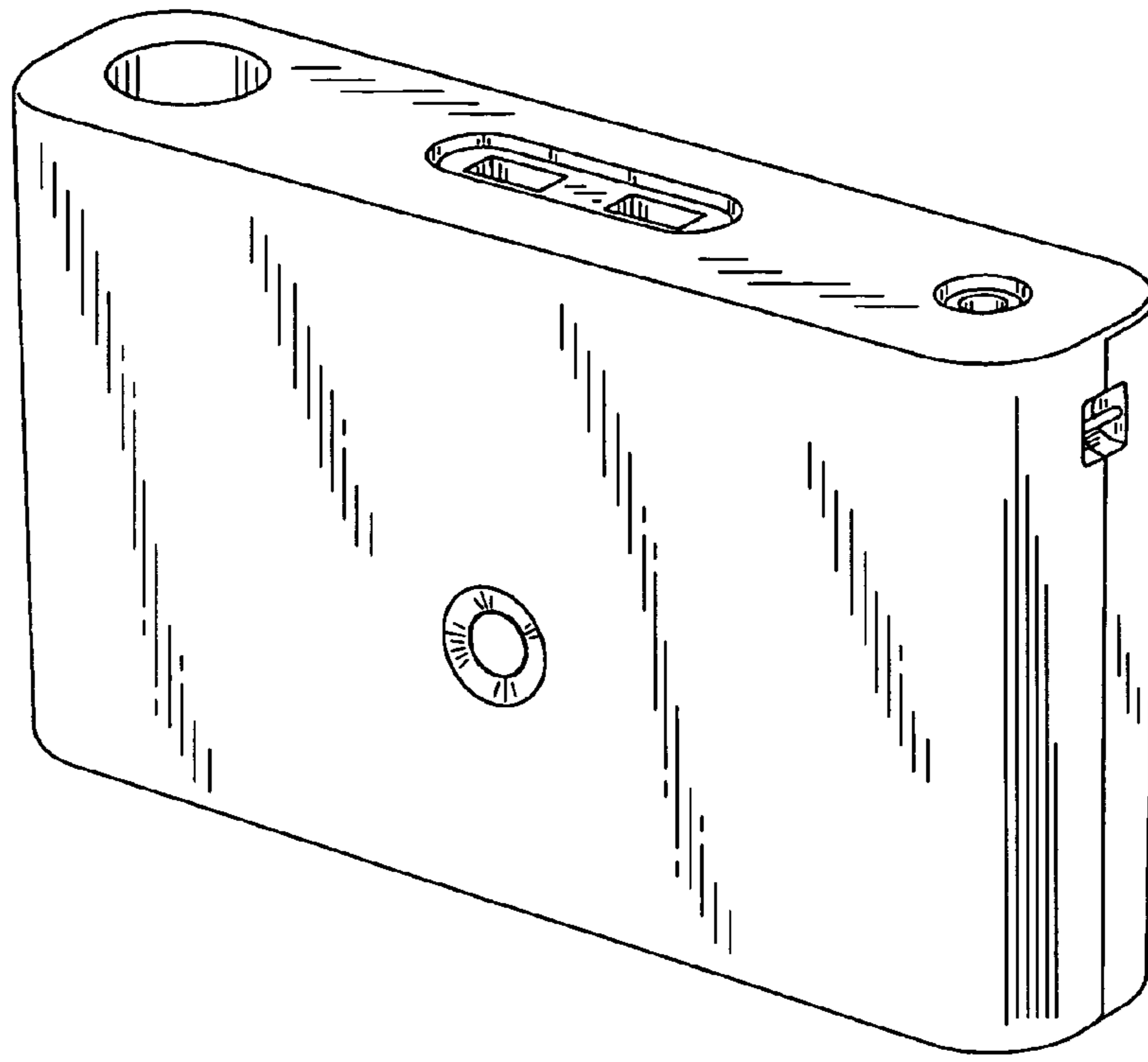


FIG. 2

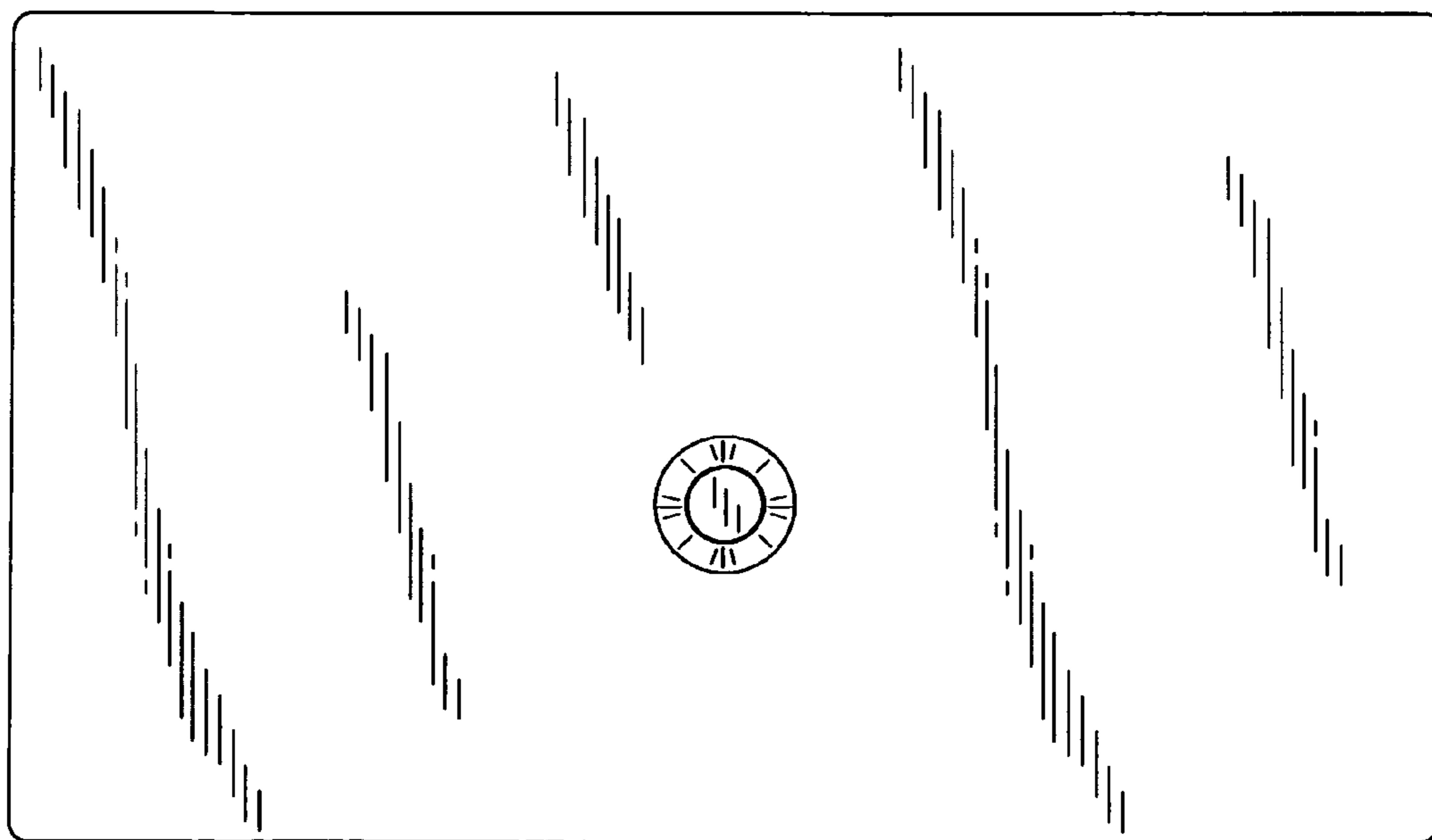


FIG. 3

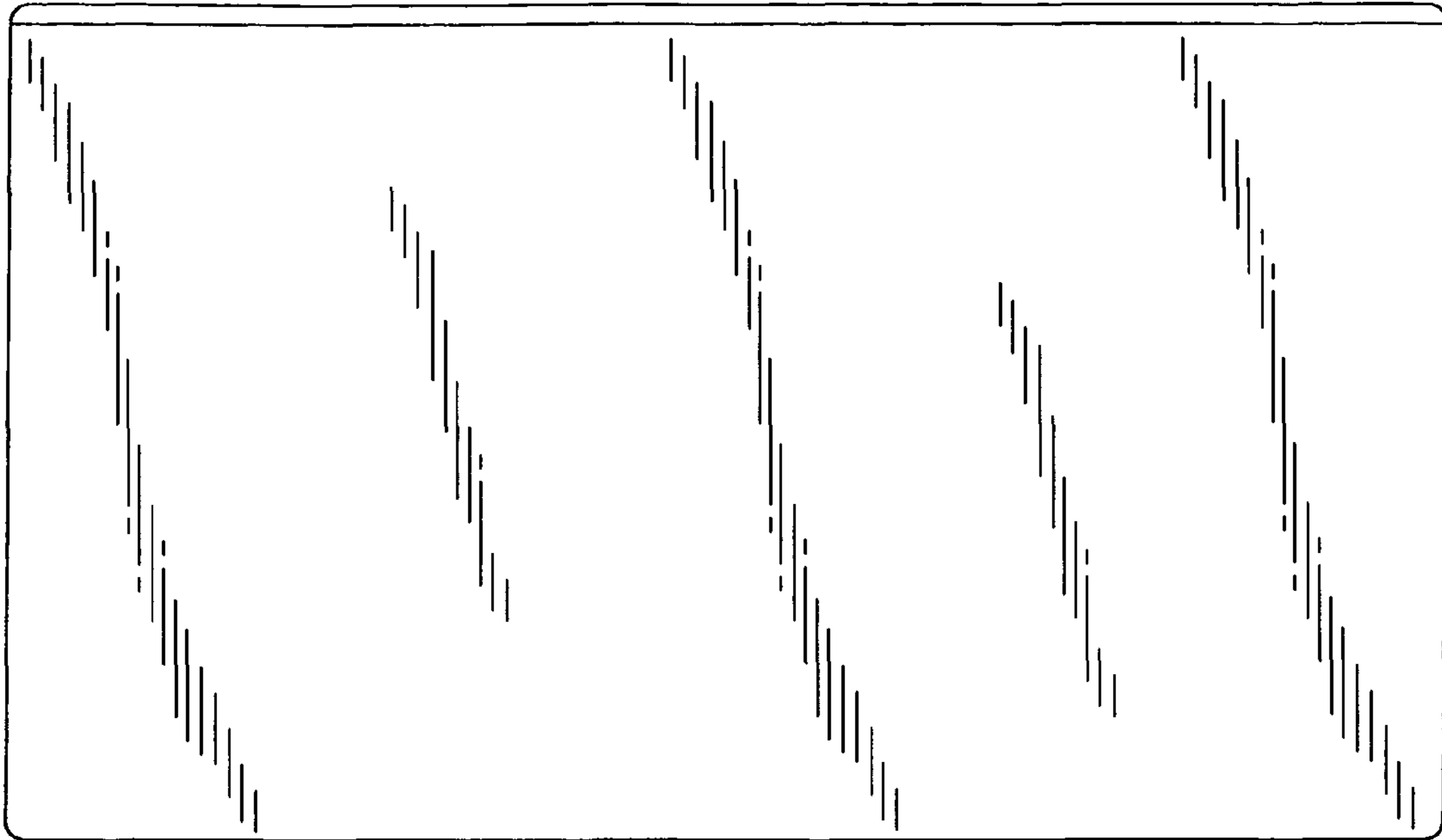


FIG. 4

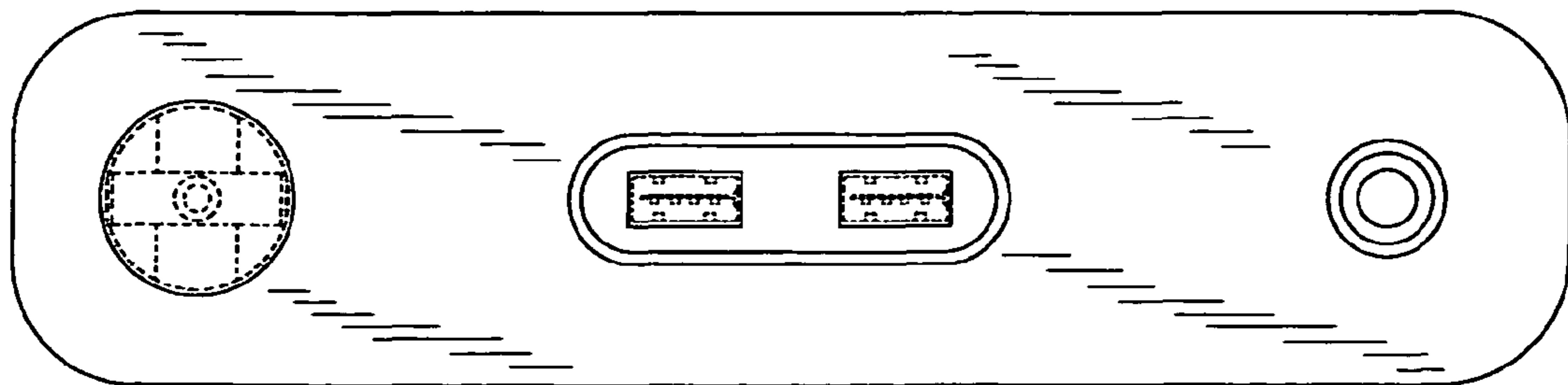


FIG. 5

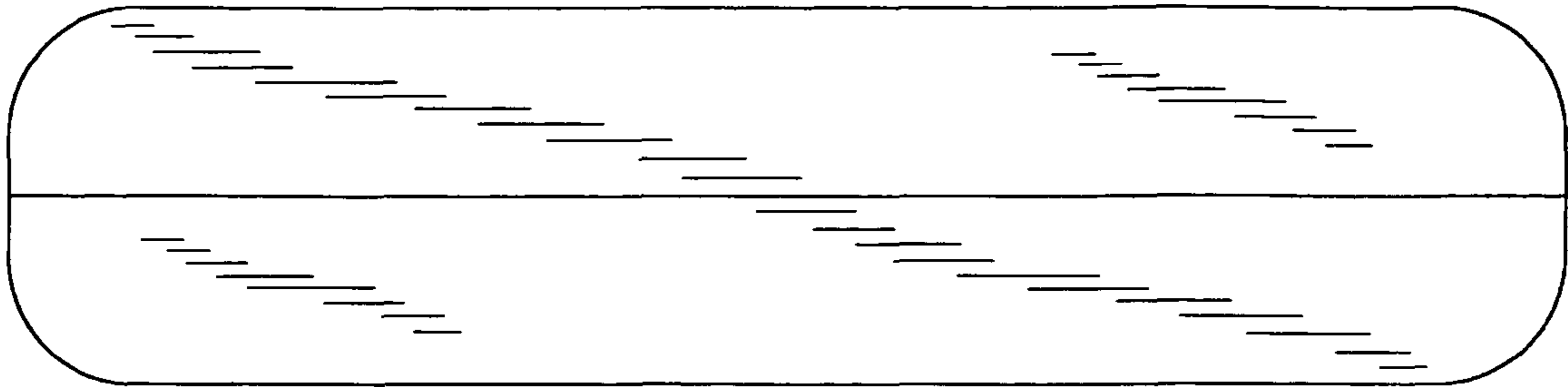


FIG. 6

