



US00D622202S

(12) **United States Design Patent**  
**Zhao**

(10) **Patent No.:** **US D622,202 S**

(45) **Date of Patent:** **\*\* Aug. 24, 2010**

(54) **FRONT FACE OF A VEHICLE WHEEL**

(76) **Inventor:** **John Zhao**, 283 E. Garvey Ave.,  
Monterey Park, CA (US) 91756

(\*\*) **Term:** **14 Years**

(21) **Appl. No.:** **29/357,734**

(22) **Filed:** **Mar. 16, 2010**

(51) **LOC (9) Cl.** ..... **12-16**

(52) **U.S. Cl.** ..... **D12/211**

(58) **Field of Classification Search** ..... D12/204-213;  
301/37.101, 64.101, 65, 64.201

See application file for complete search history.

(56) **References Cited**

**U.S. PATENT DOCUMENTS**

D438,503 S *	3/2001	Syring	.....	D12/211
D460,942 S *	7/2002	Lee	.....	D12/211
D489,033 S *	4/2004	Lee	.....	D12/211
D499,685 S *	12/2004	Schaefer	.....	D12/211
D535,604 S *	1/2007	Markefka	.....	D12/211

D548,162 S \* 8/2007 Baum ..... D12/211

D558,117 S \* 12/2007 Baum ..... D12/211

D590,318 S \* 4/2009 Theiss ..... D12/211

D593,022 S \* 5/2009 Forster et al. .... D12/211

D597,015 S \* 7/2009 Juergens et al. .... D12/211

\* cited by examiner

*Primary Examiner*—Stacia Cadmus

(74) *Attorney, Agent, or Firm*—Procopio, Cory, Hargreaves  
& Savitch LLP

(57) **CLAIM**

The ornamental design for a front face of a vehicle wheel, as shown and described.

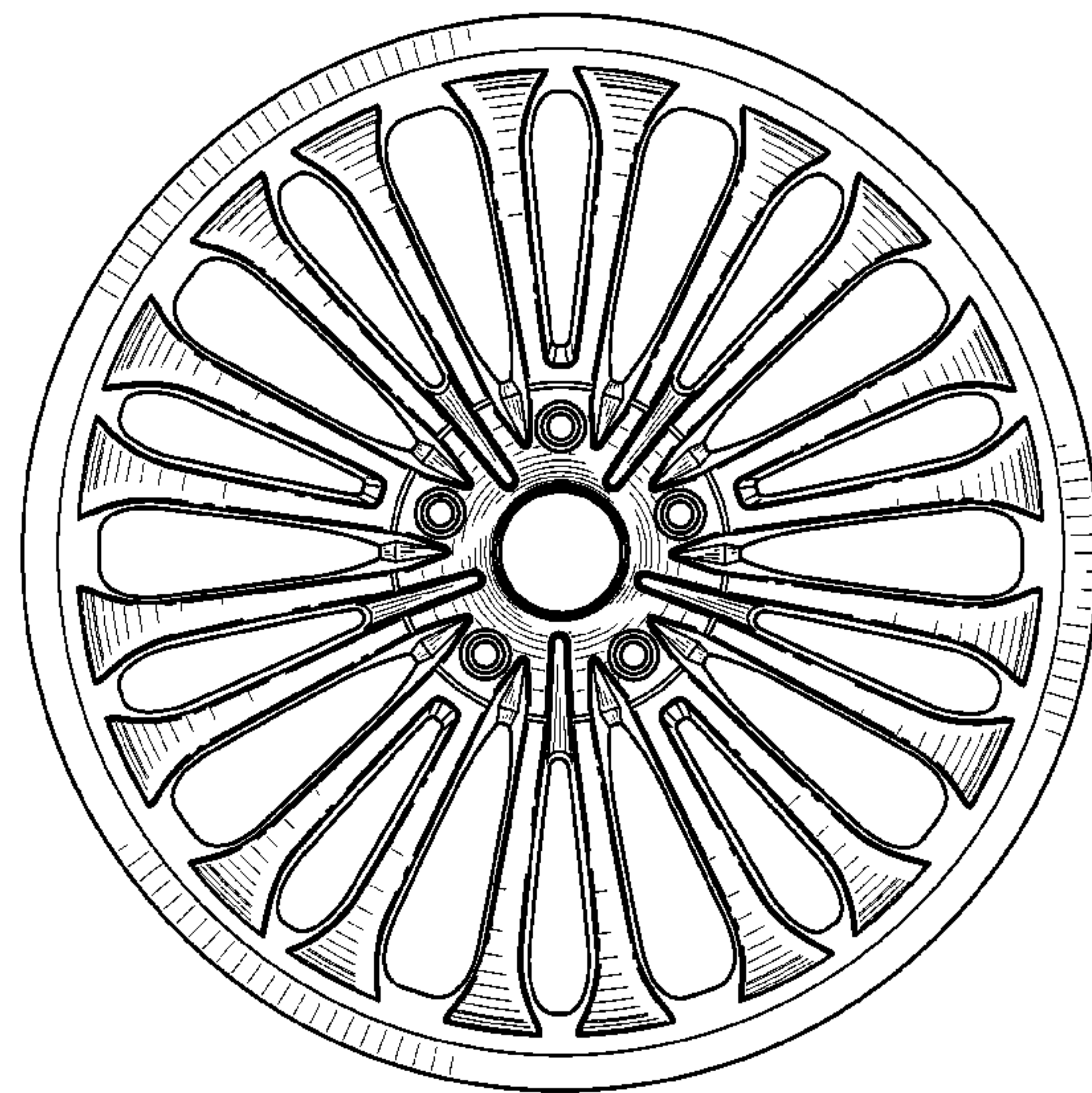
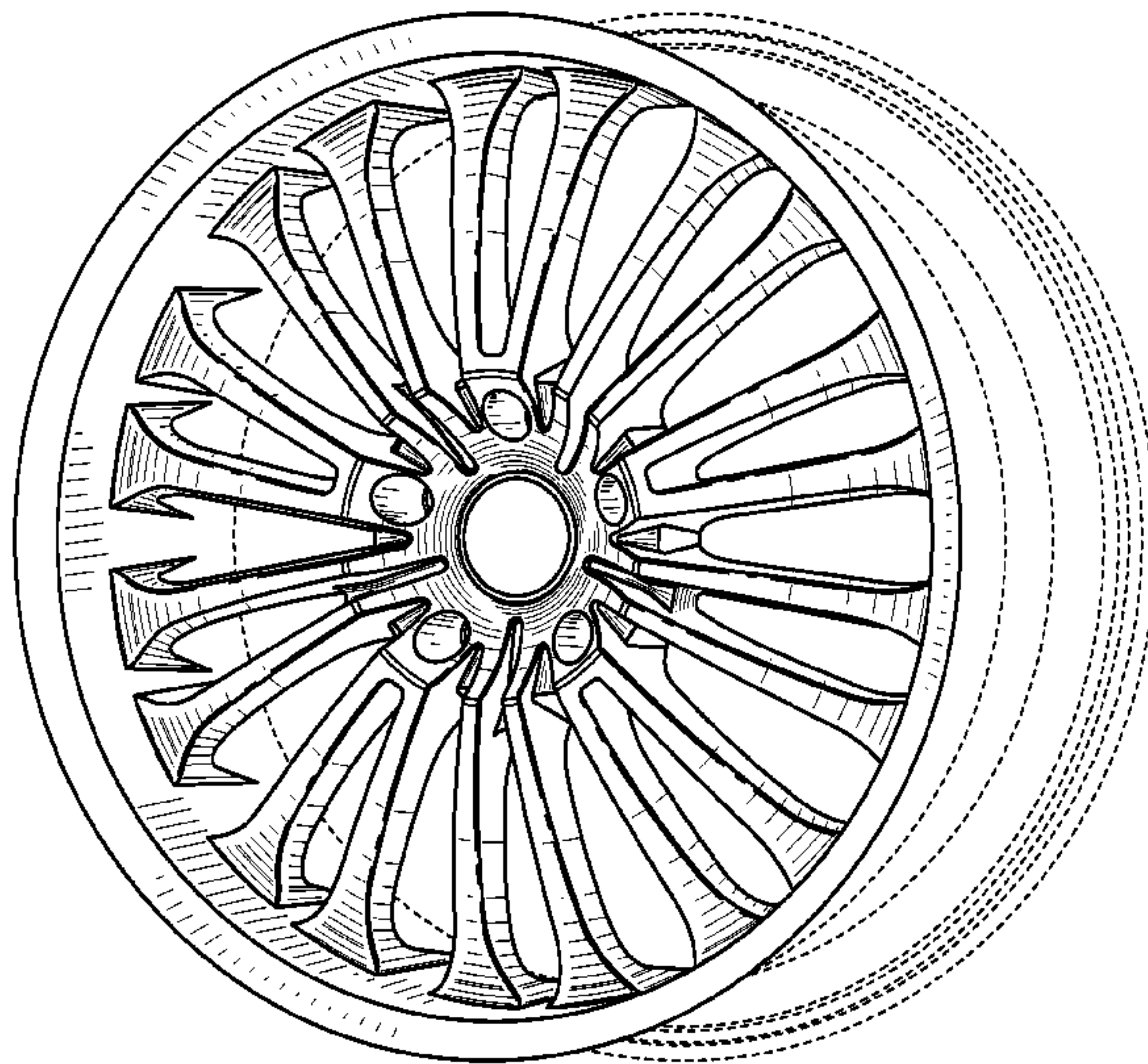
**DESCRIPTION**

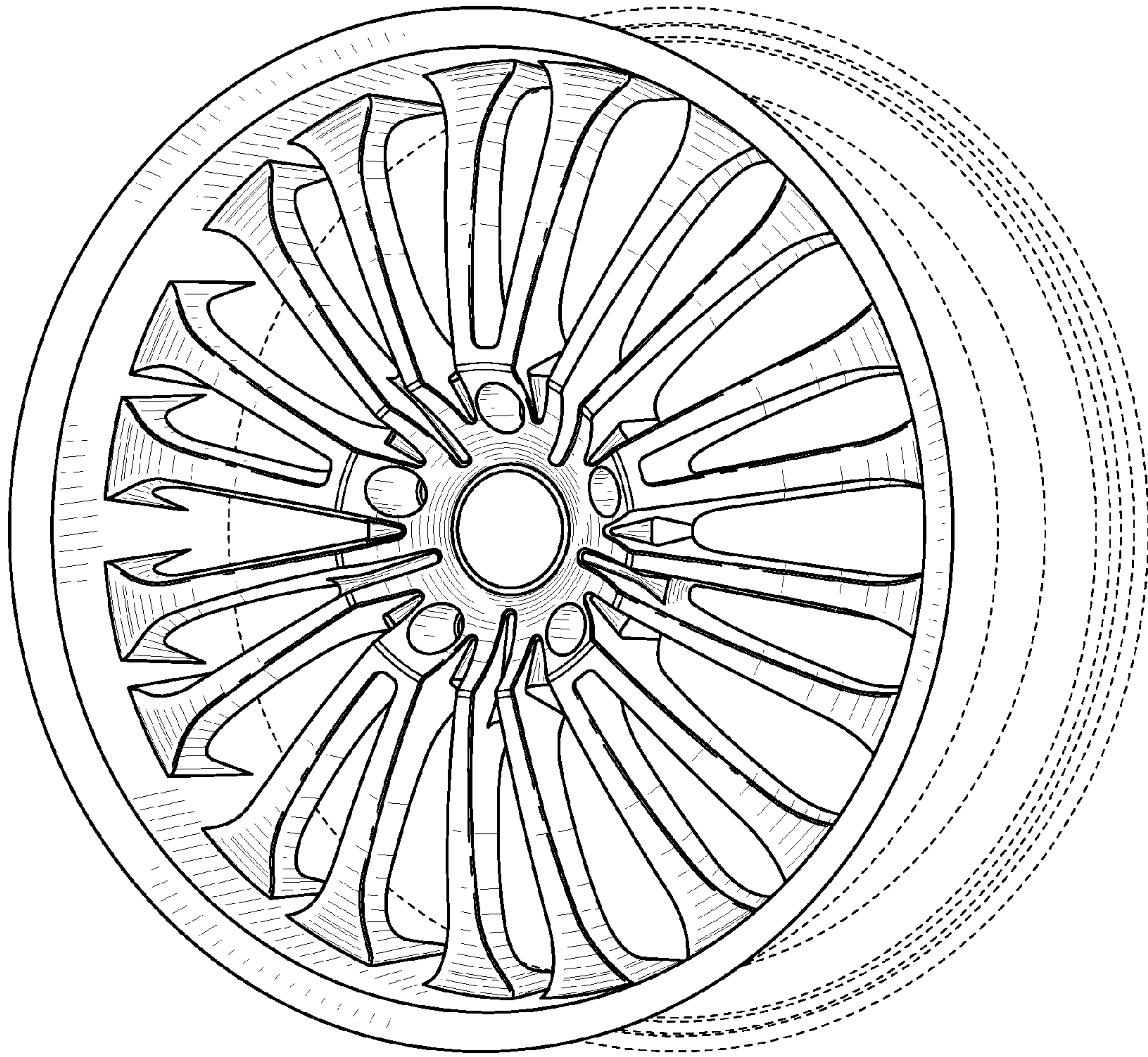
FIG. 1 is a perspective view of a front face of a vehicle wheel embodying my new design; and,

FIG. 2 is a front view thereof.

The broken lines are for illustrative purposes only and form no part of the claimed design.

**1 Claim, 2 Drawing Sheets**





**FIG. 1**



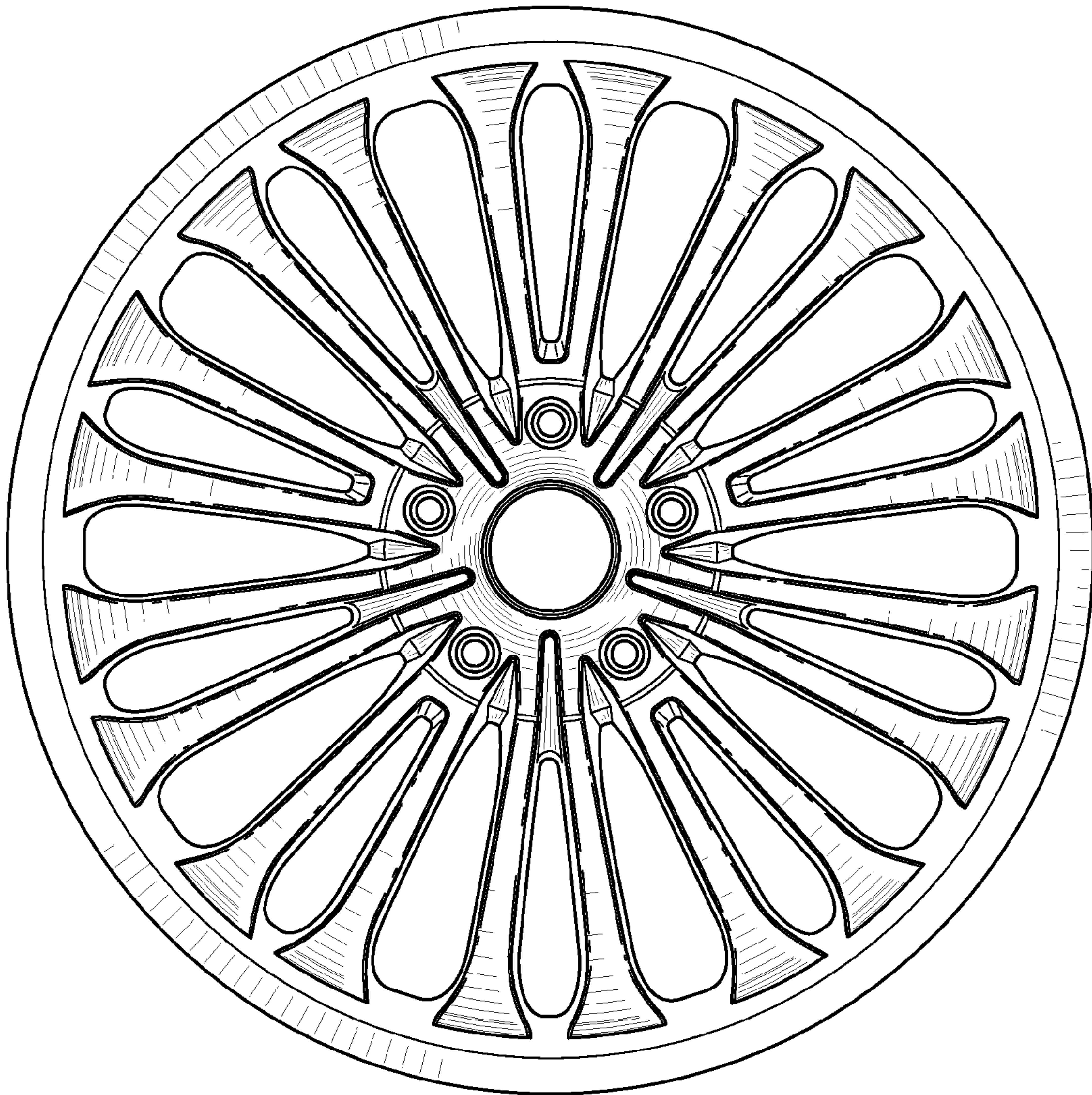


FIG. 2