



US00D622197S

(12) **United States Design Patent**  
**Zhao**

(10) **Patent No.:** **US D622,197 S**

(45) **Date of Patent:** **\*\* Aug. 24, 2010**

(54) **FRONT FACE OF A VEHICLE WHEEL**

(76) **Inventor:** **John Zhao**, 263 E. Garvey Ave.,  
Monterey Park, CA (US) 91756

(\*\*) **Term:** **14 Years**

(21) **Appl. No.:** **29/357,179**

(22) **Filed:** **Mar. 8, 2010**

(51) **LOC (9) Cl.** ..... **12-16**

(52) **U.S. Cl.** ..... **D12/209**

(58) **Field of Classification Search** ..... D12/204-213;  
301/37.101, 64.101, 65, 64.201

See application file for complete search history.

(56) **References Cited**

**U.S. PATENT DOCUMENTS**

D392,239 S *	3/1998	Cullen	.....	D12/211
D396,441 S *	7/1998	Nishida	.....	D12/209
D415,991 S *	11/1999	Wang	.....	D12/211
D442,536 S *	5/2001	Chung	.....	D12/211

D450,288 S \* 11/2001 Lee ..... D12/209

D477,556 S \* 7/2003 Koch ..... D12/211

D508,007 S \* 8/2005 Koch ..... D12/211

D577,322 S \* 9/2008 Scheu ..... D12/209

\* cited by examiner

*Primary Examiner*—Stacia Cadmus

(74) *Attorney, Agent, or Firm*—Procopio, Cory, Hargreaves  
& Savitch LLP

(57) **CLAIM**

The ornamental design for a front face of a vehicle wheel, as shown and described.

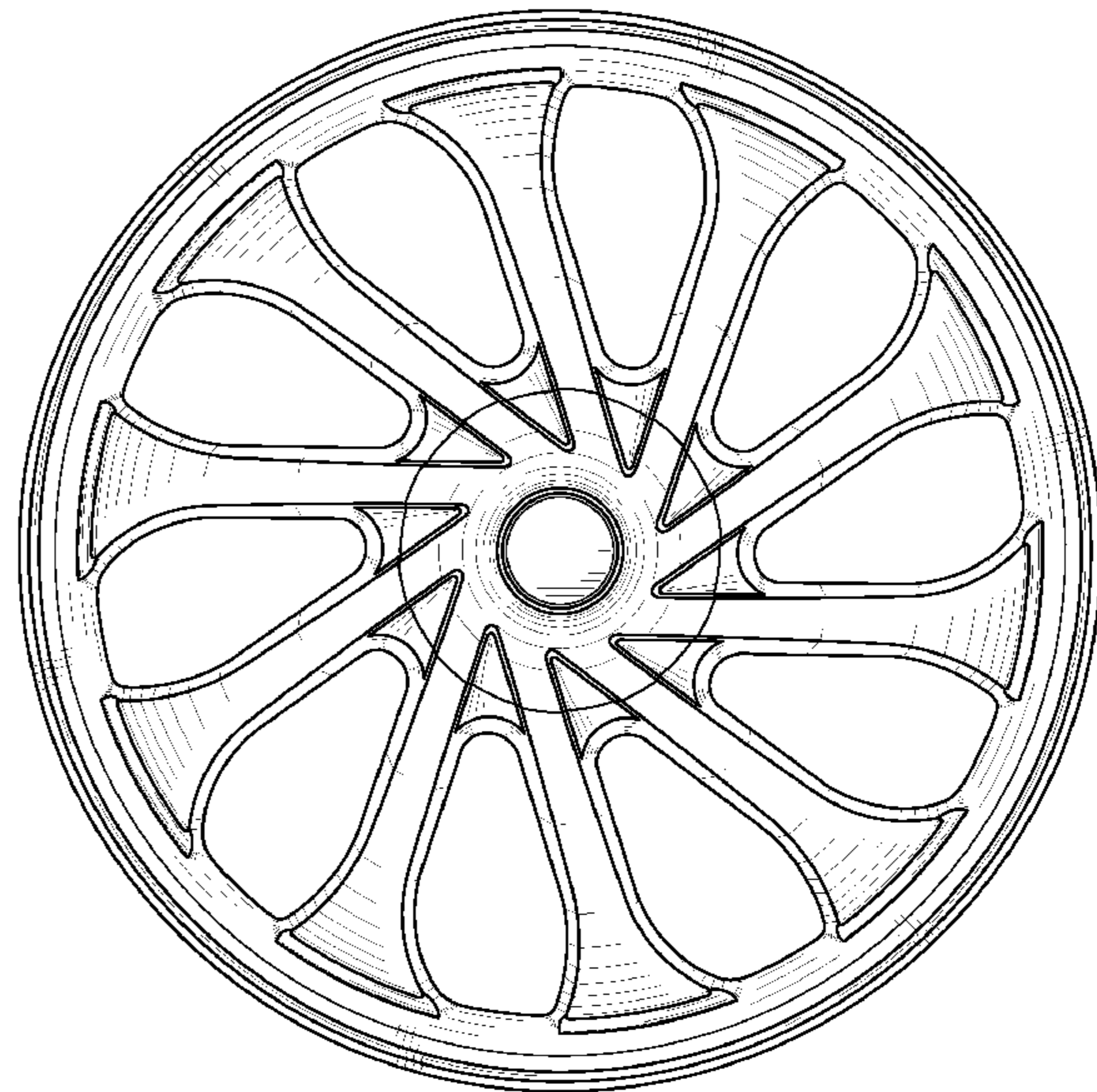
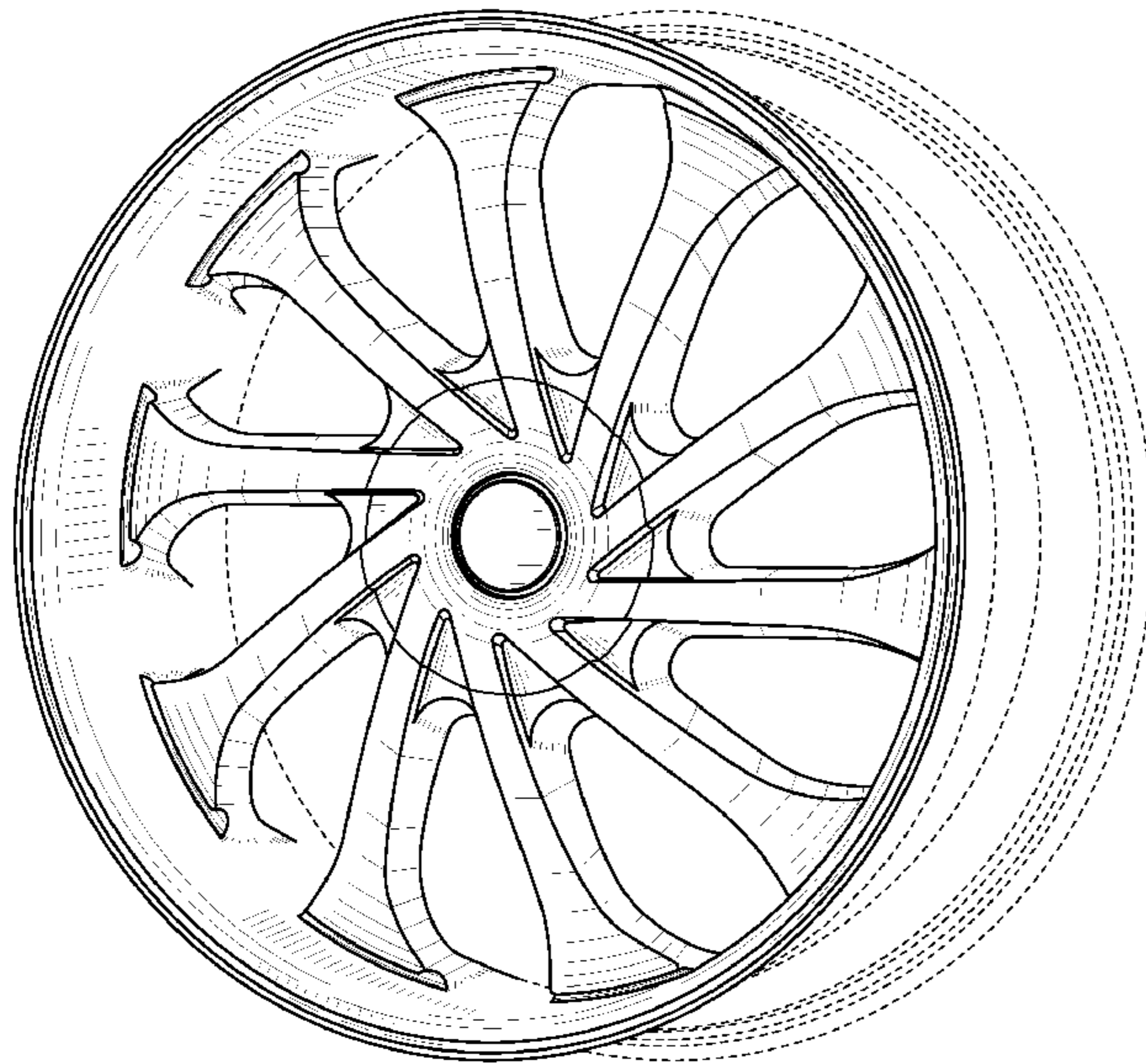
**DESCRIPTION**

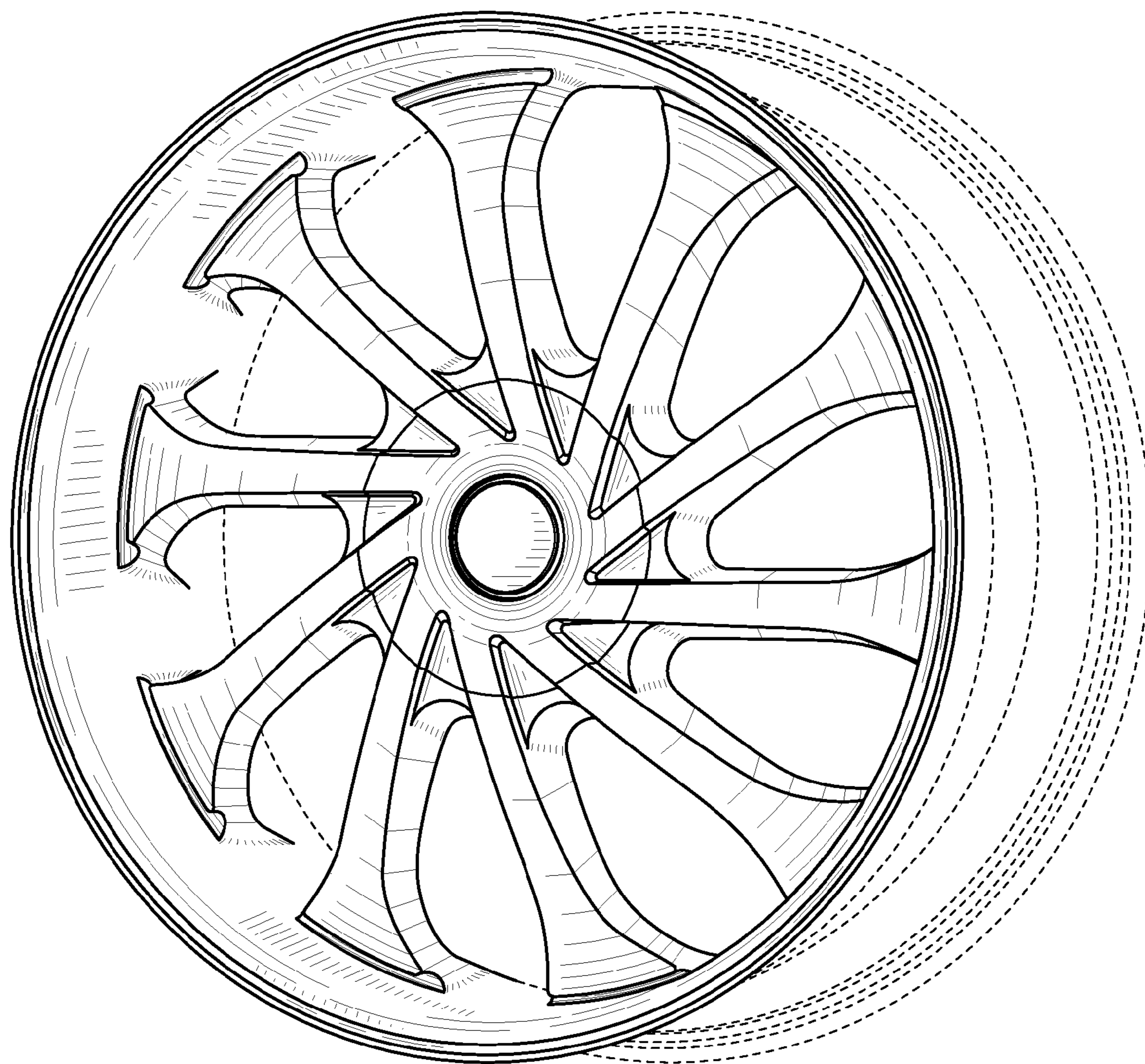
FIG. 1 is a perspective view of a front face of a vehicle wheel embodying my new design; and,

FIG. 2 is a front view thereof.

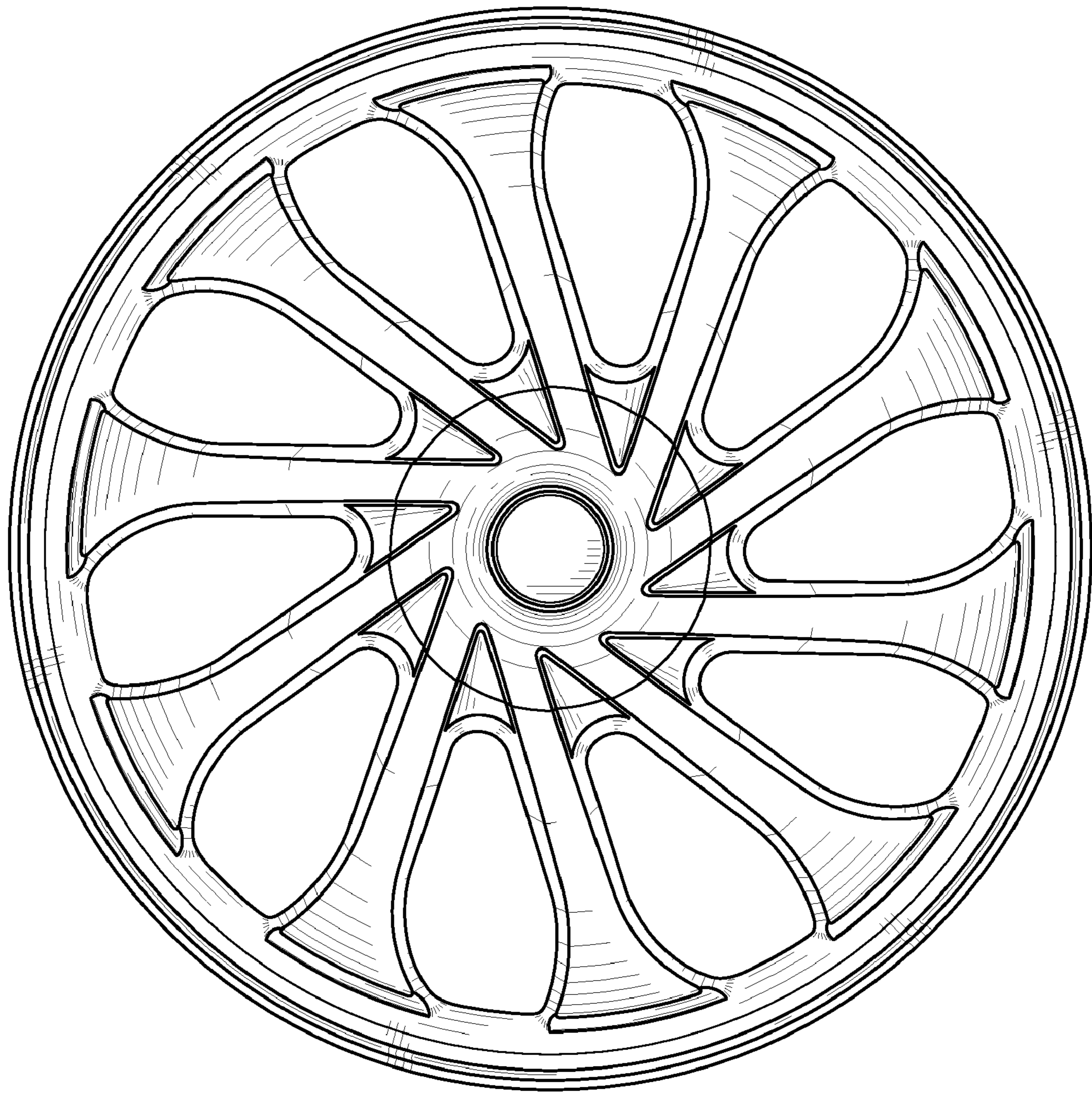
The broken lines are for illustrative purposes only and form no part of the claimed design.

**1 Claim, 2 Drawing Sheets**





**FIG. 1**



**FIG. 2**