



US00D622195S

(12) **United States Design Patent**
Lester

(10) **Patent No.:** **US D622,195 S**

(45) **Date of Patent:** **** Aug. 24, 2010**

(54) **DASHBOARD HAVING AN ELECTRONIC DISPLAY**

(76) **Inventor:** **Michael Lester**, 798 Col. Edmonds Ct., Warrenton, VA (US) 20186

(**) **Term:** **14 Years**

(21) **Appl. No.:** **29/356,283**

(22) **Filed:** **Feb. 23, 2010**

(51) **LOC (9) Cl.** **12-16**

(52) **U.S. Cl.** **D12/192**

(58) **Field of Classification Search** D12/192, D12/415; 180/190; 280/750-752; 296/190.01-190.09, 296/70; D15/17, 28; D10/46, 98, 102-103
See application file for complete search history.

(56) **References Cited**

U.S. PATENT DOCUMENTS

D389,798 S *	1/1998	Ma et al.	D12/192
D431,220 S *	9/2000	Wyszogrod et al.	D12/192
D433,362 S *	11/2000	Wyszogrod et al.	D12/192
D480,671 S *	10/2003	Pfeiffer et al.	D12/192

D493,757 S *	8/2004	Pfeiffer	D12/192
D533,492 S *	12/2006	Maezono et al.	D12/192
D539,714 S *	4/2007	Toyama et al.	D12/192
D569,317 S *	5/2008	Schwalter	D12/192

* cited by examiner

Primary Examiner—Stacia Cadmus

(74) *Attorney, Agent, or Firm*—Maier & Maier, PLLC

(57) **CLAIM**

The ornamental design for a dashboard having an electronic display, as shown and described.

DESCRIPTION

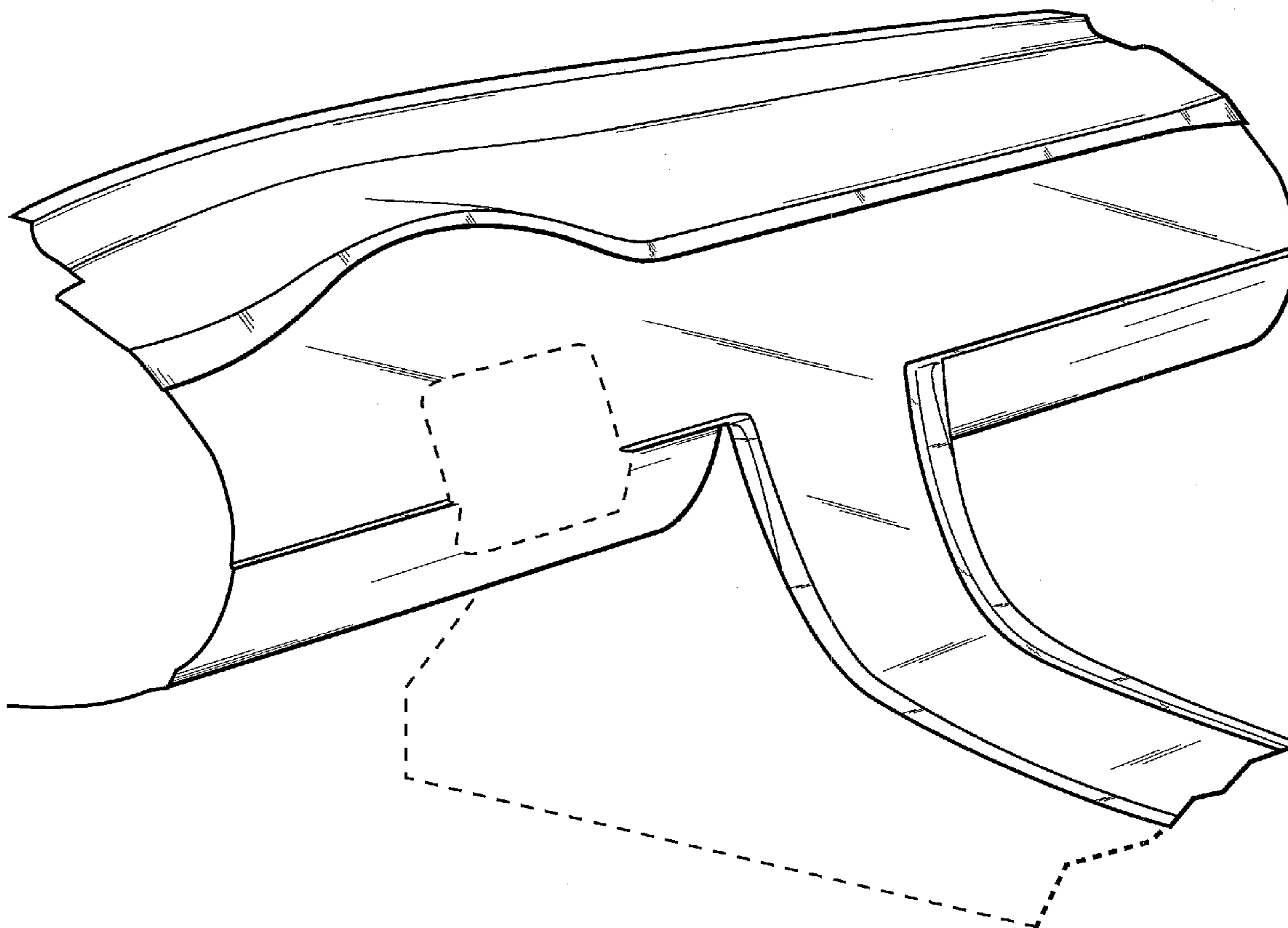
FIG. 1 is a front view of a dashboard having an electronic display, showing my design;

FIG. 2 is a right side perspective view thereof; and,

FIG. 3 is a left side perspective view thereof.

The broken line showing of parts of the drawings is included for the purpose of illustrating use and environment and forms no part of the claimed design.

1 Claim, 3 Drawing Sheets



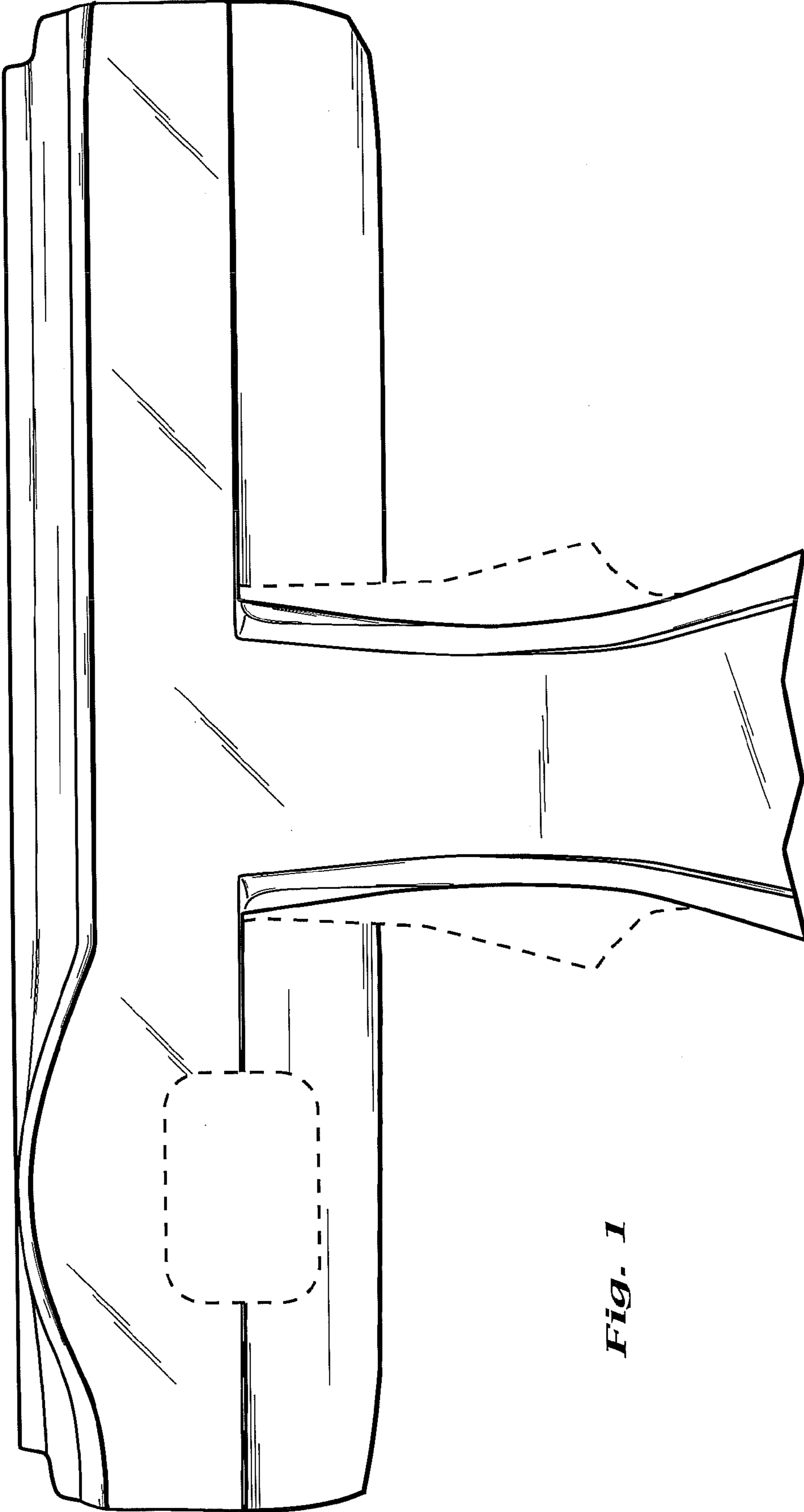


Fig. 1

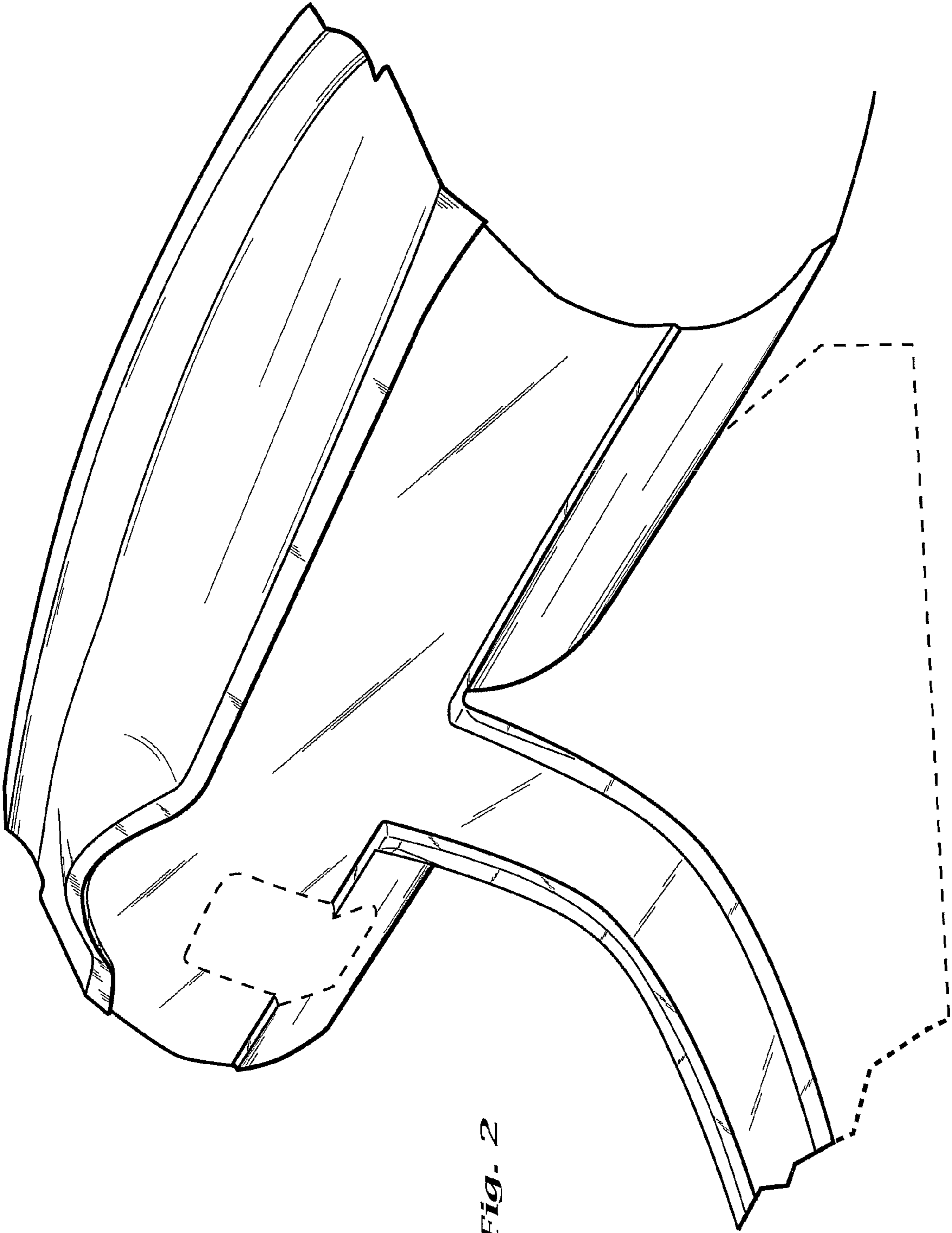


Fig. 2

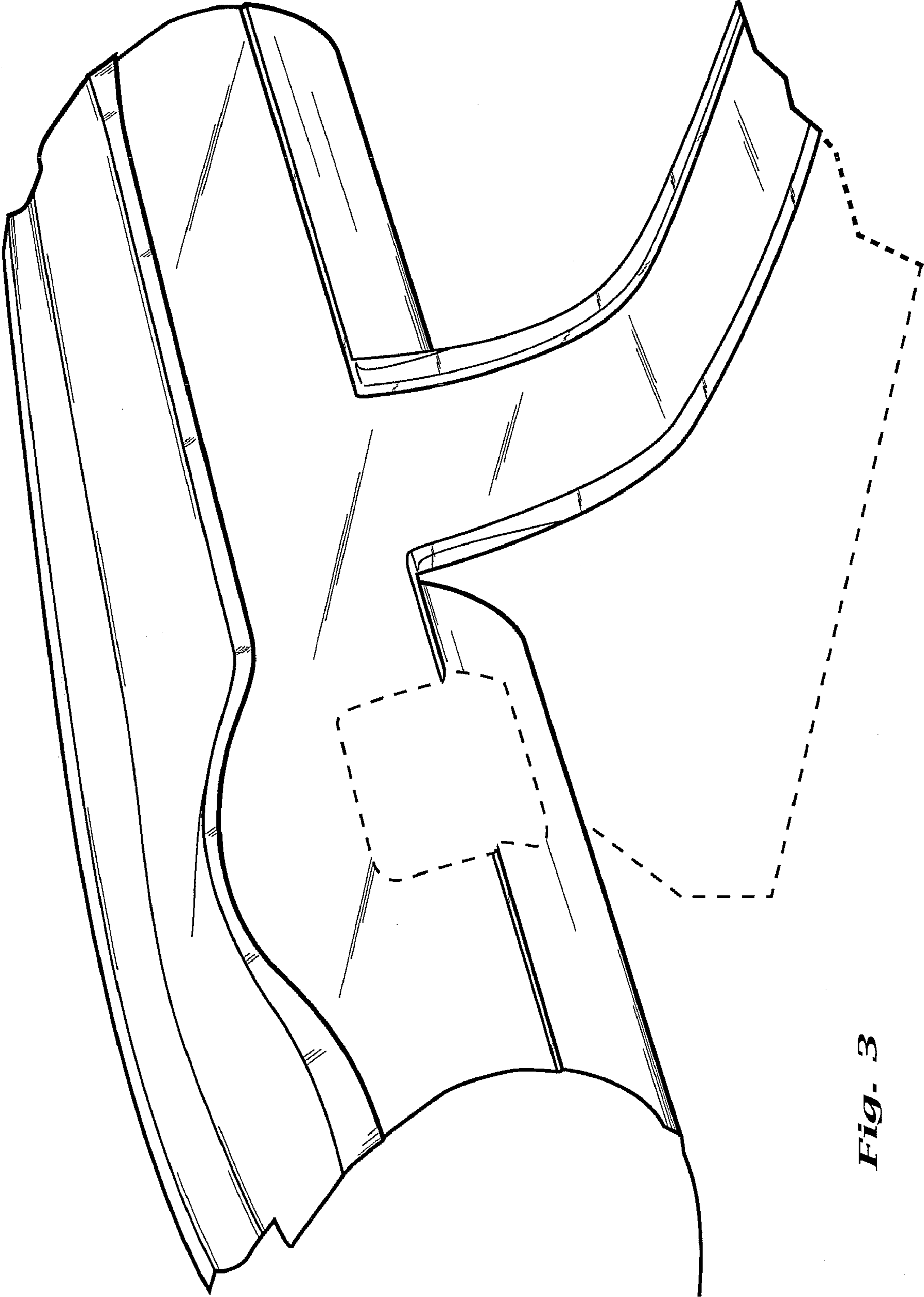


Fig. 3