



US00D622187S

(12) **United States Design Patent**
Kono et al.

(10) **Patent No.:** **US D622,187 S**
(45) **Date of Patent:** **** Aug. 24, 2010**

(54) **AUTOMOBILE, TOY REPLICAS AND/OR OTHER REPLICAS**

D611,388 S * 3/2010 Hogios et al. D12/92

* cited by examiner

(75) Inventors: **Taku Kono**, Wako (JP); **Ken Sahara**, Wako (JP)

Primary Examiner—Melody N Brown
(74) *Attorney, Agent, or Firm*—Birch, Stewart, Kolasch & Birch, LLP

(73) Assignee: **Honda Motor Co., Ltd.**, Tokyo (JP)

(**) Term: **14 Years**

(57) **CLAIM**

(21) Appl. No.: **29/354,135**

The ornamental design for an automobile, toy replica and/or other replicas, as shown and described.

(22) Filed: **Jan. 20, 2010**

DESCRIPTION

(30) **Foreign Application Priority Data**

Jul. 21, 2009 (JP) 2009-016513

FIG. 1 is a front and left side perspective view of an automobile, toy replica and/or other replicas showing our new design;

(51) **LOC (9) Cl.** **12-08**

FIG. 2 is a rear and left side perspective view thereof;

(52) **U.S. Cl.** **D12/92**

FIG. 3 is a left side elevational view thereof, the right side being a mirror image of that side shown;

(58) **Field of Classification Search** D12/86,
D12/90–92; D21/424, 433, 434; 296/181.1,
296/181.5

See application file for complete search history.

FIG. 4 is a top plan view thereof;

FIG. 5 is a front elevational view thereof; and,

FIG. 6 is a rear elevational view thereof.

The portion of the automobile shown in broken lines is for the purpose of showing environmental structure only and forms no part of the claimed design.

(56) **References Cited**

U.S. PATENT DOCUMENTS

D573,064 S * 7/2008 Sawai D12/92
D599,706 S * 9/2009 Tanaka et al. D12/92
D602,400 S * 10/2009 Chae D12/92

1 Claim, 6 Drawing Sheets

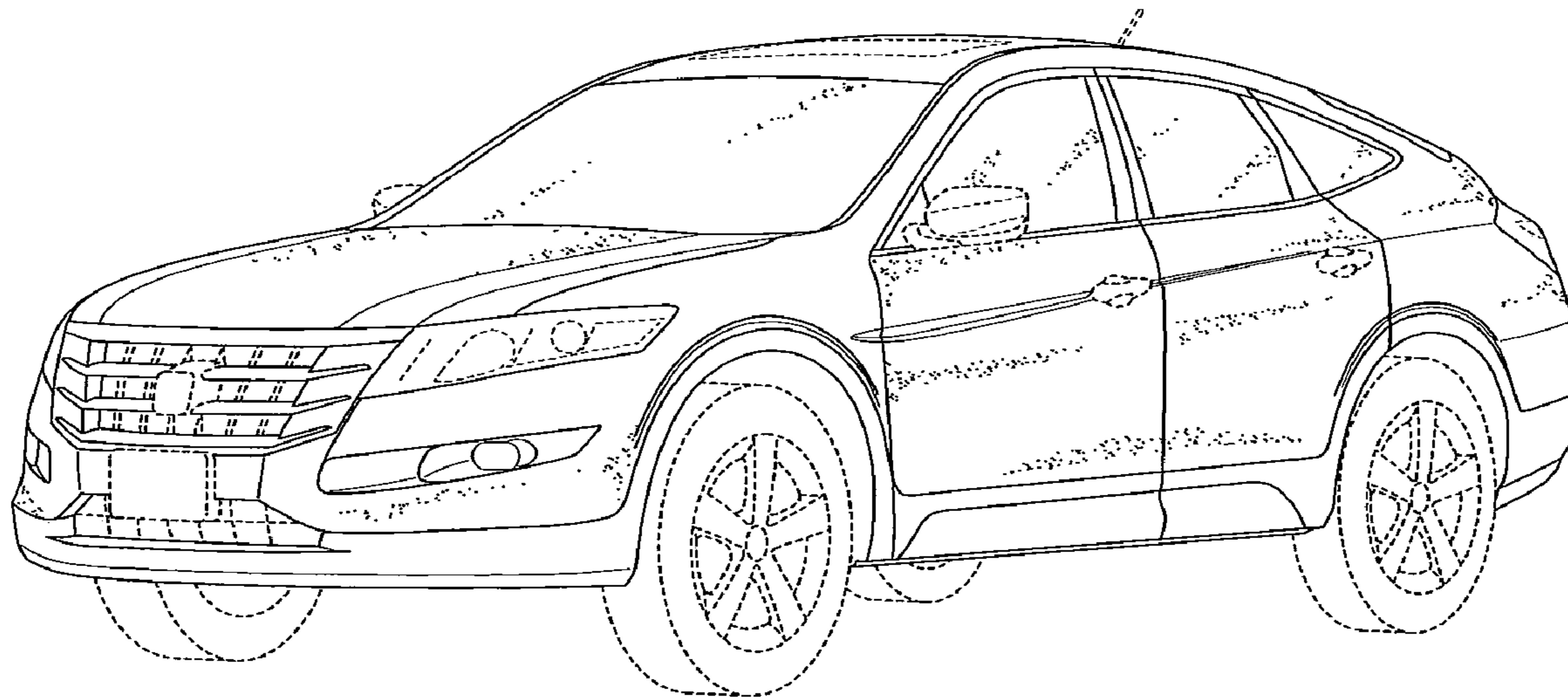


FIG. 1

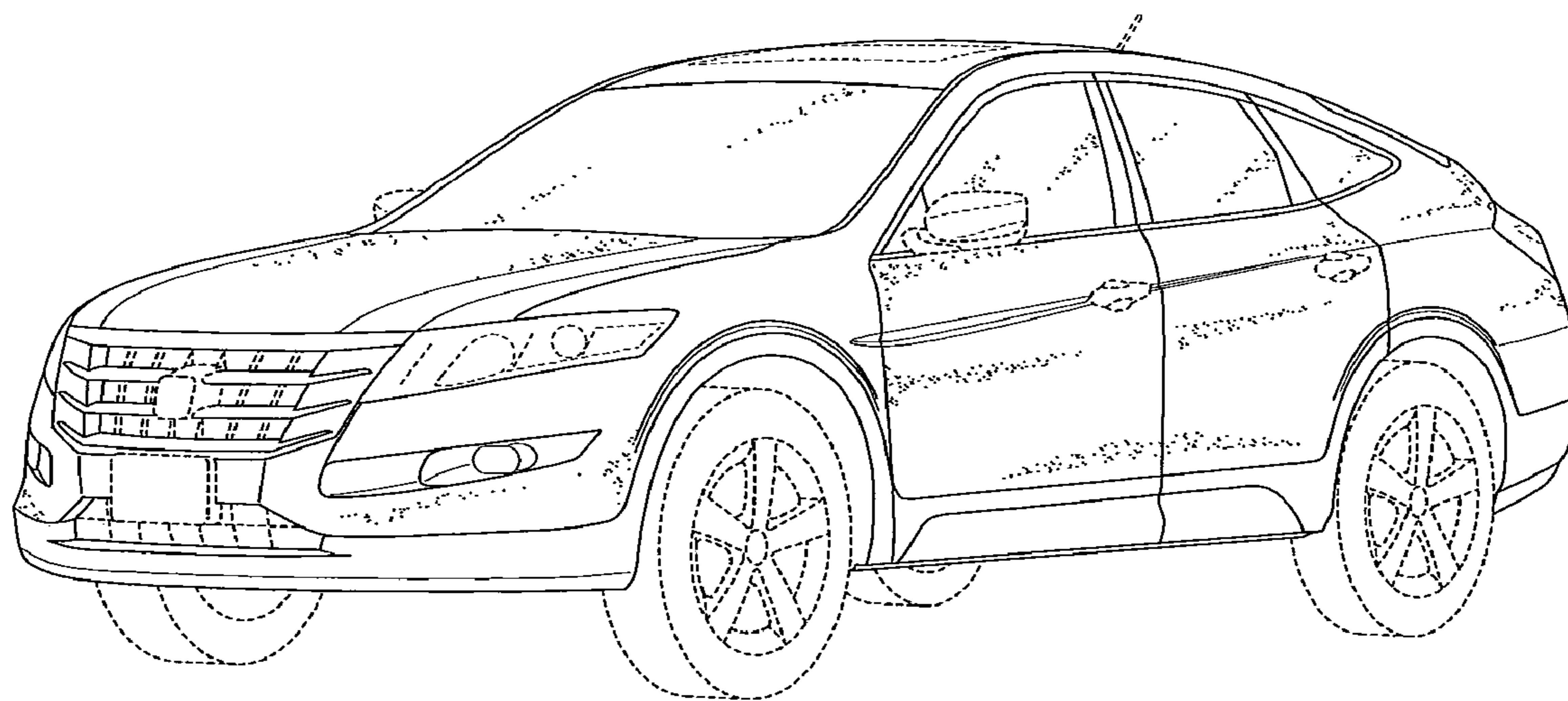


FIG. 2

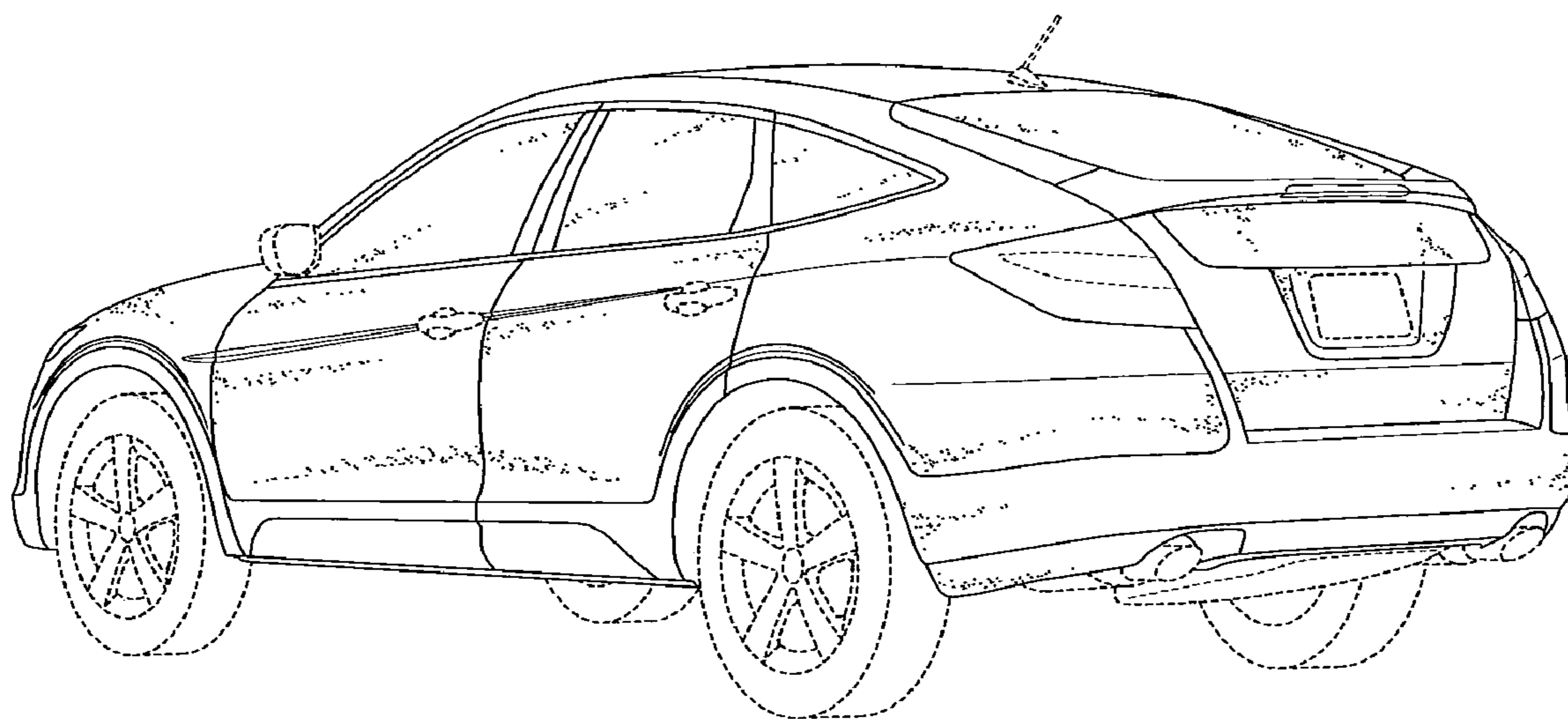


FIG. 3

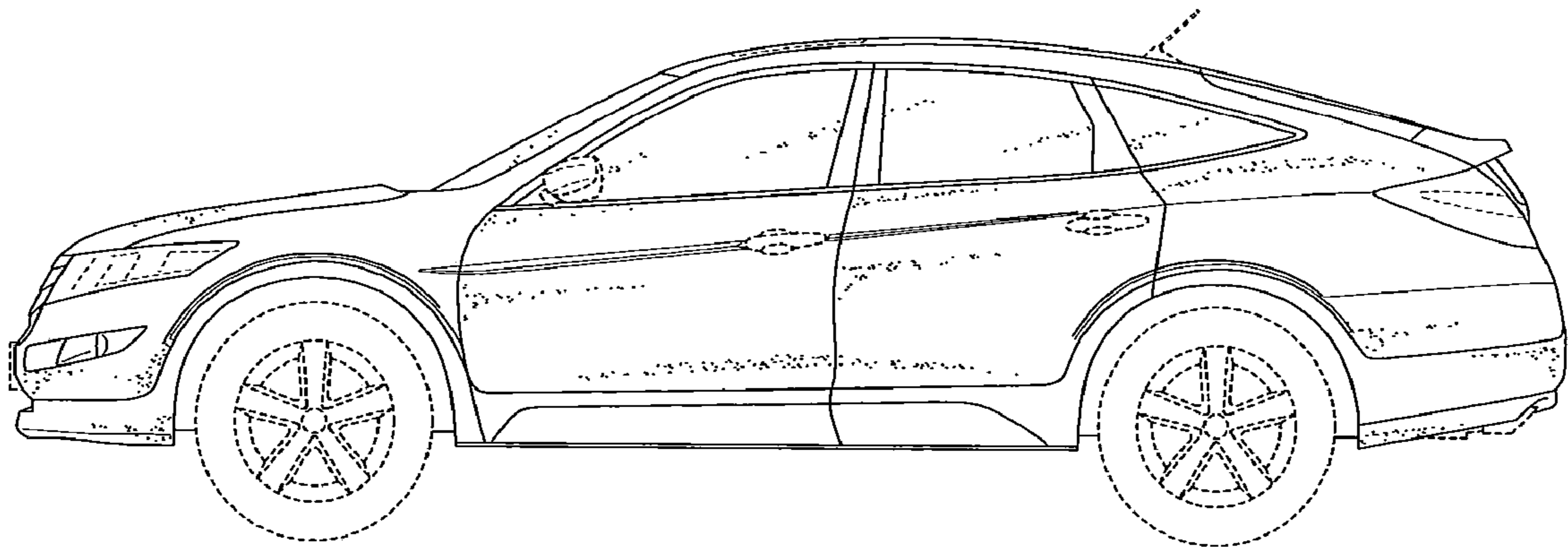


FIG. 4

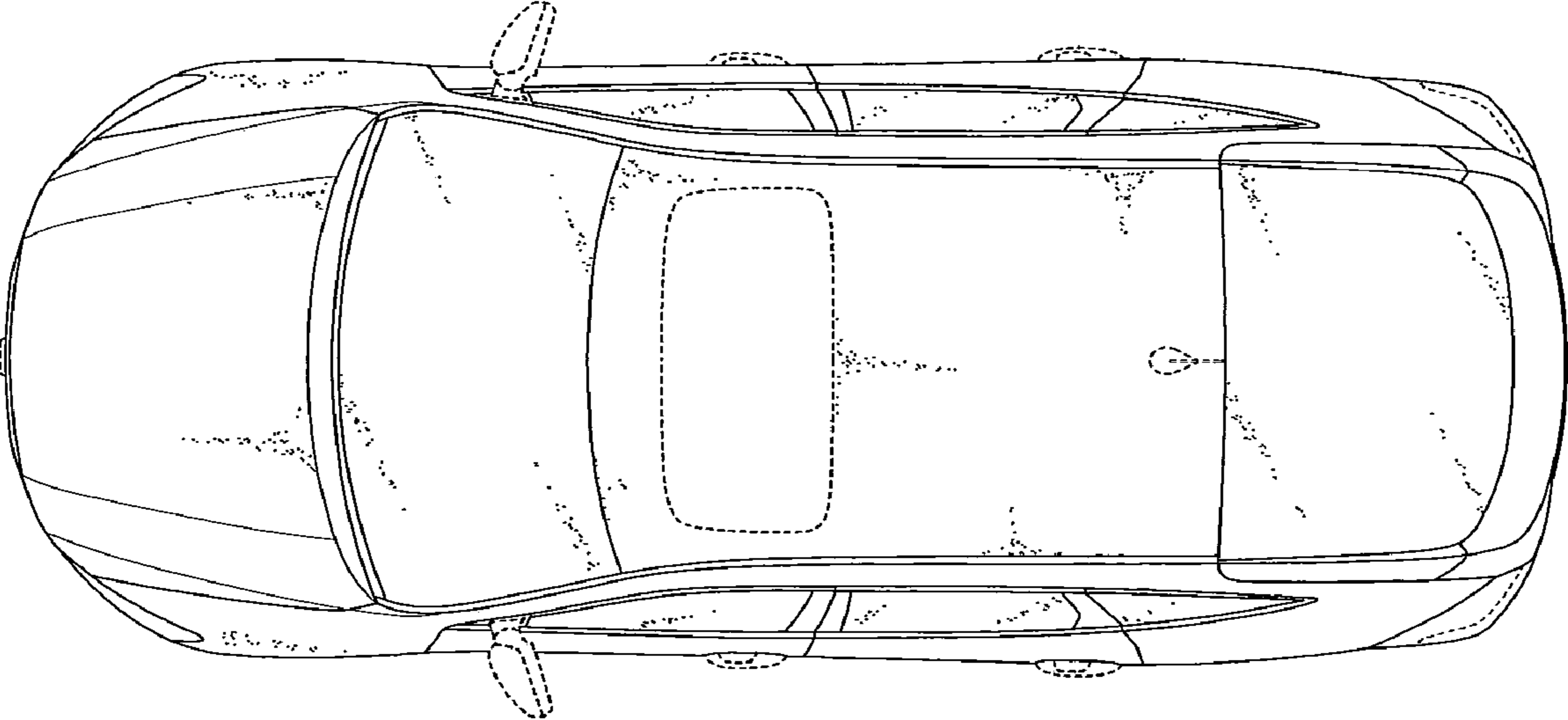


FIG. 5

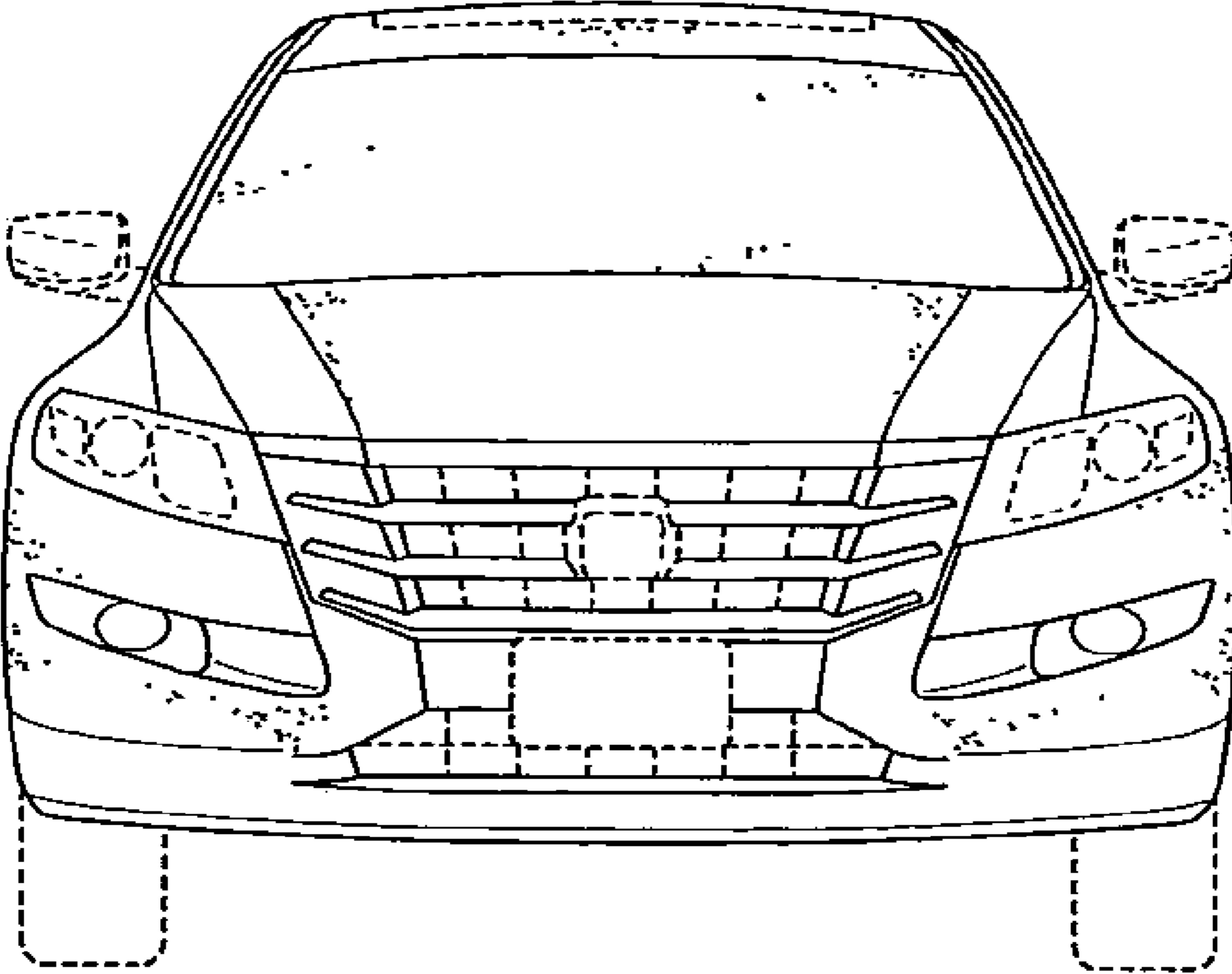


FIG. 6

