

US00D622183S

(12) **United States Design Patent**
Ishikura et al.

(10) **Patent No.:** **US D622,183 S**

(45) **Date of Patent:** **** Aug. 24, 2010**

(54) **AUTOMOBILE AND/OR REPLICA THEREOF**

D605,558 S * 12/2009 Koman et al. D12/91

(75) Inventors: **Naoya Ishikura**, Wako (JP); **Yutaka Saito**, Wako (JP); **Nobuyuki Takahashi**, Wako (JP)

* cited by examiner

Primary Examiner—Melody N Brown
(74) *Attorney, Agent, or Firm*—Westerman, Hattori, Daniels & Adrian, LLP

(73) Assignee: **Honda Motor Co., Ltd.**, Tokyo (JP)

(**) Term: **14 Years**

(57) **CLAIM**

(21) Appl. No.: **29/356,514**

The ornamental design for, an automobile and /or replica thereof, as shown and described.

(22) Filed: **Feb. 26, 2010**

DESCRIPTION

(30) **Foreign Application Priority Data**

Sep. 4, 2009 (JP) 2009-020474

FIG. 1 is a perspective view of an automobile and /or replica thereof, showing our new design;

(51) **LOC (9) Cl.** **12-08**

FIG. 2 is another perspective view thereof;

(52) **U.S. Cl.** **D12/90**

FIG. 3 is a front elevation view thereof;

(58) **Field of Classification Search** D12/86,
D12/90-92, 88; D21/424, 433, 434; 296/181.1,
296/181.5

FIG. 4 is a rear elevation view thereof;

See application file for complete search history.

FIG. 5 is a top plan view thereof; and,

FIG. 6 is a right side elevation view thereof.

The left side elevation view is a mirror image of the right side elevation view. The broken lines are for illustrative purposes only and form no part of the claimed design.

(56) **References Cited**

U.S. PATENT DOCUMENTS

D605,557 S * 12/2009 Murakami D12/91

1 Claim, 5 Drawing Sheets

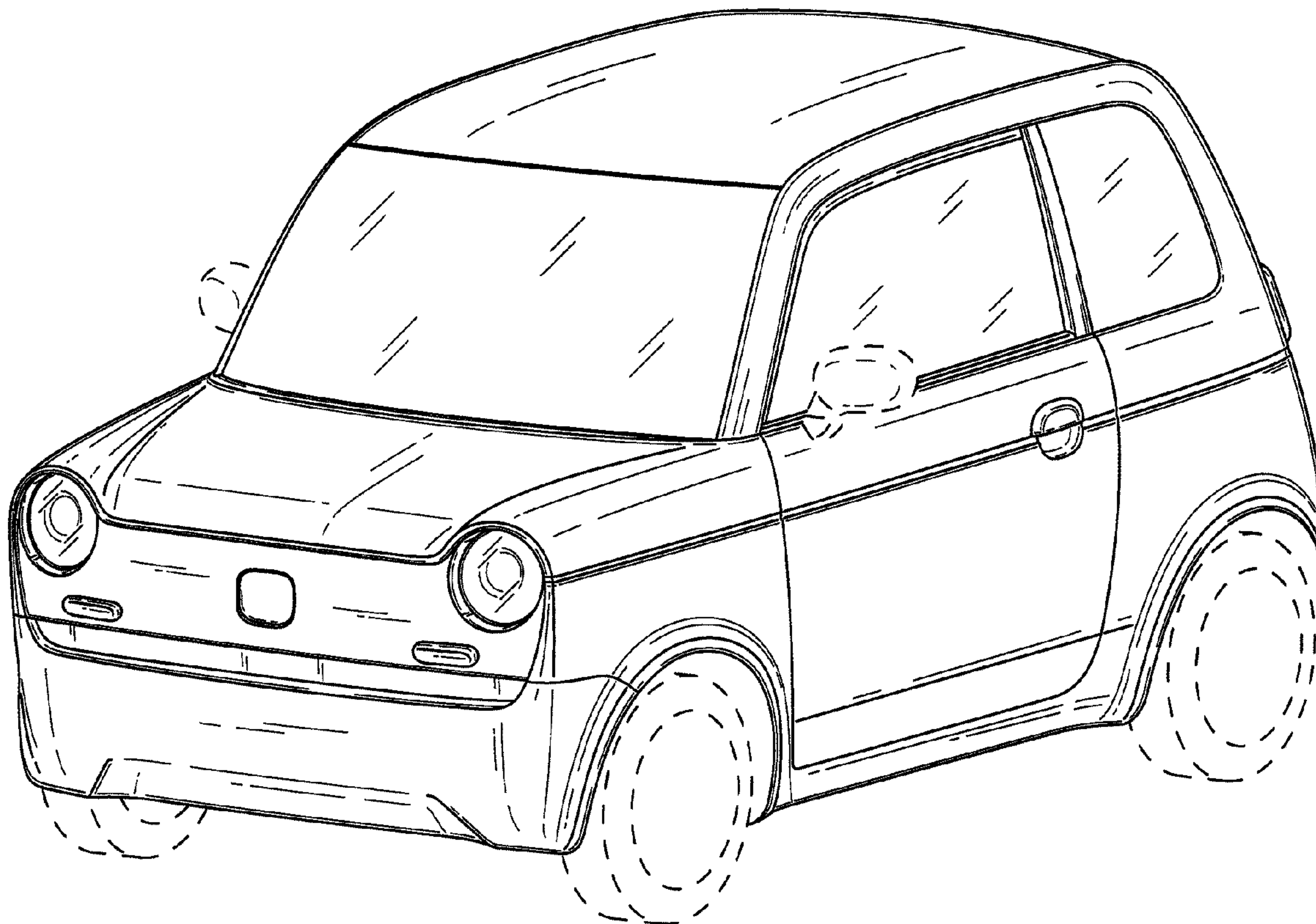


Fig 1

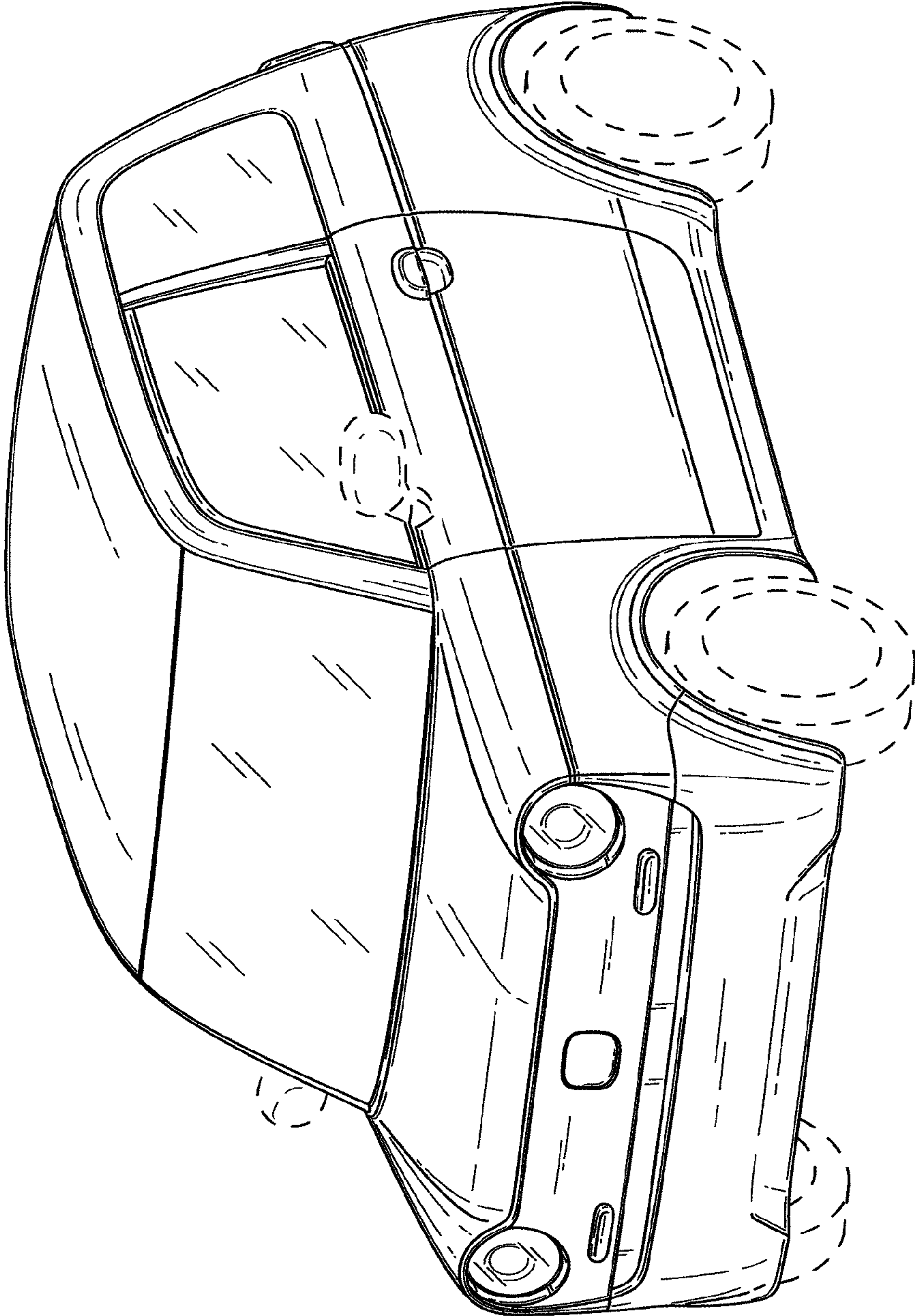


Fig 2

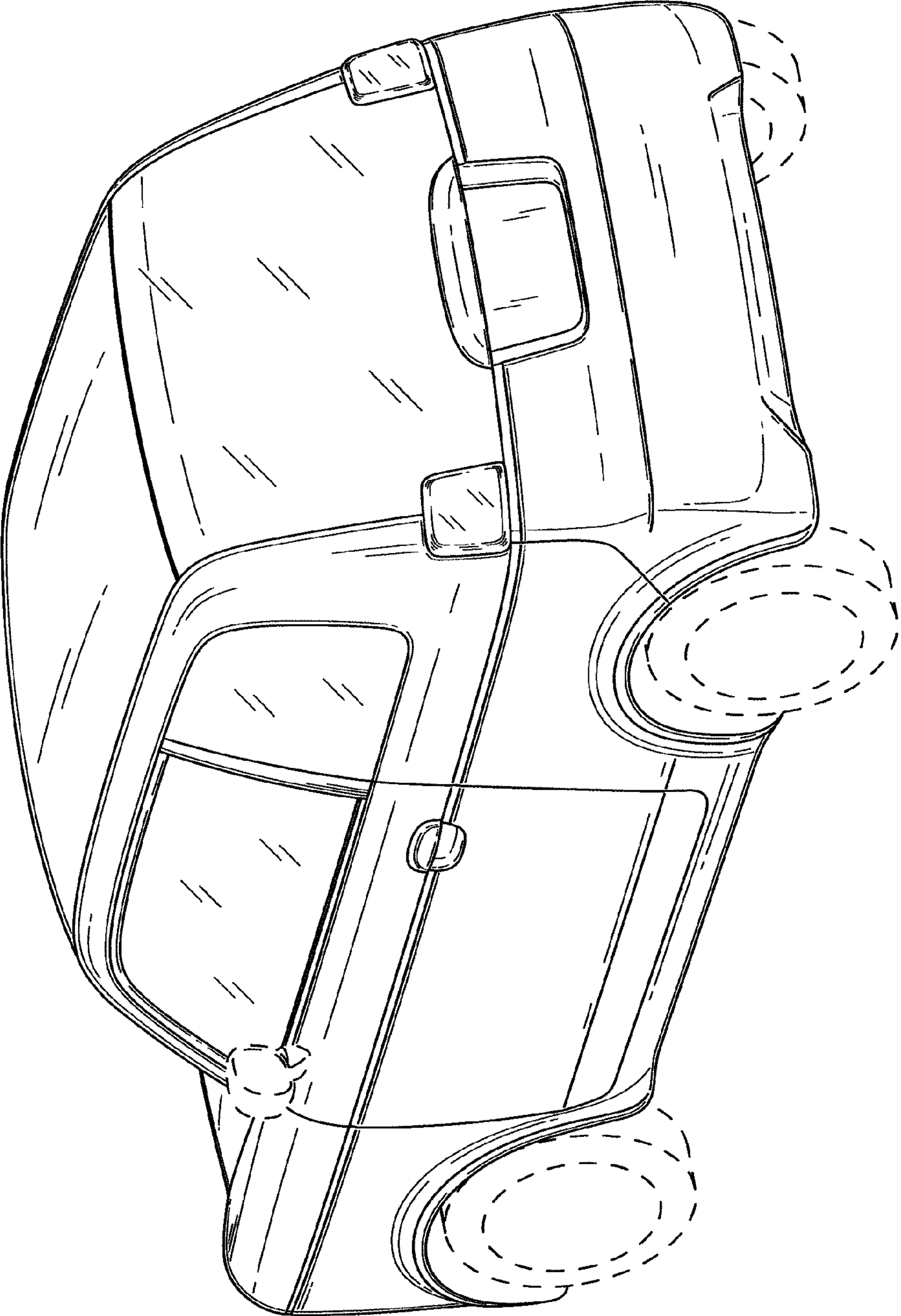


Fig 4

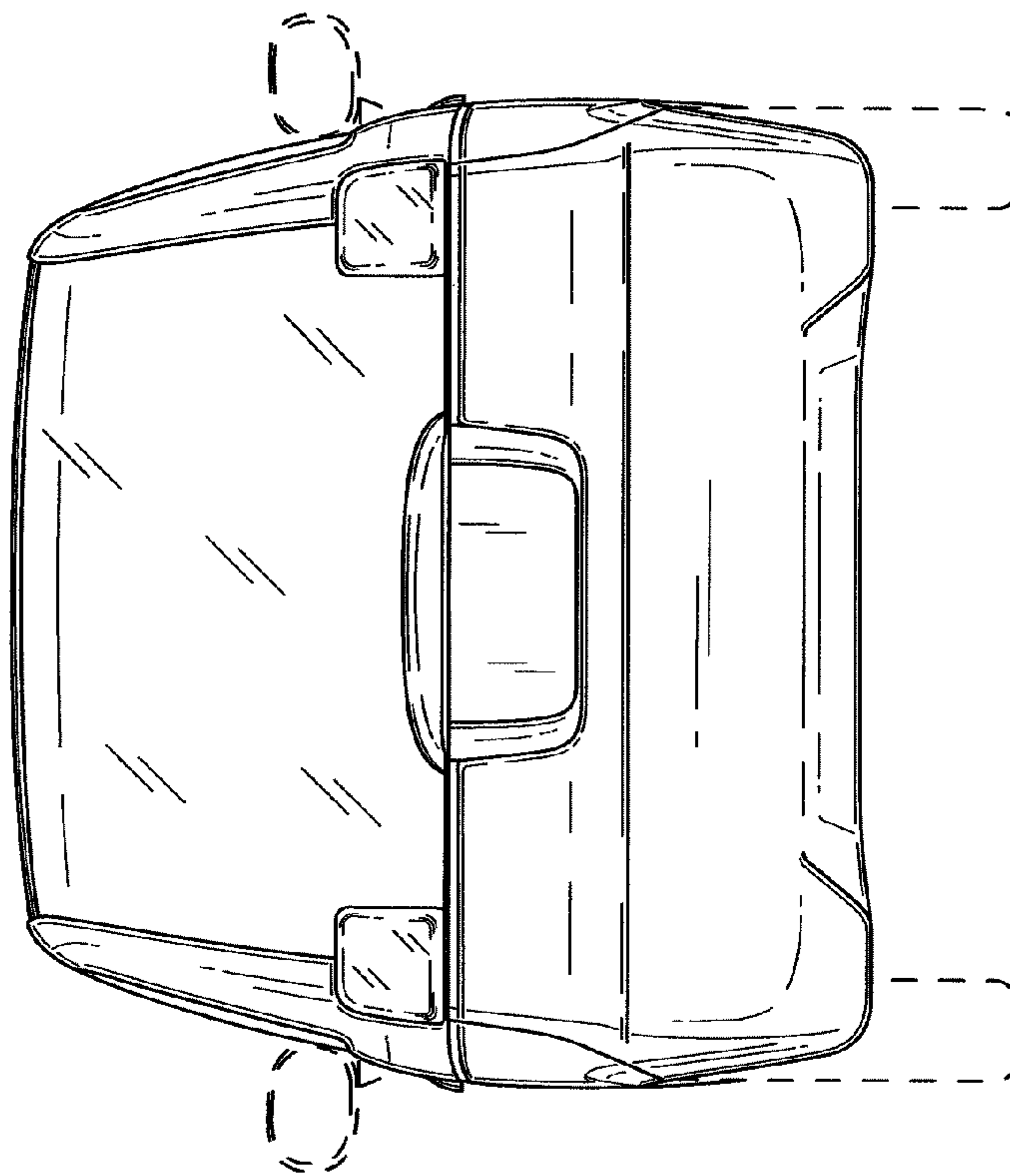


Fig 3

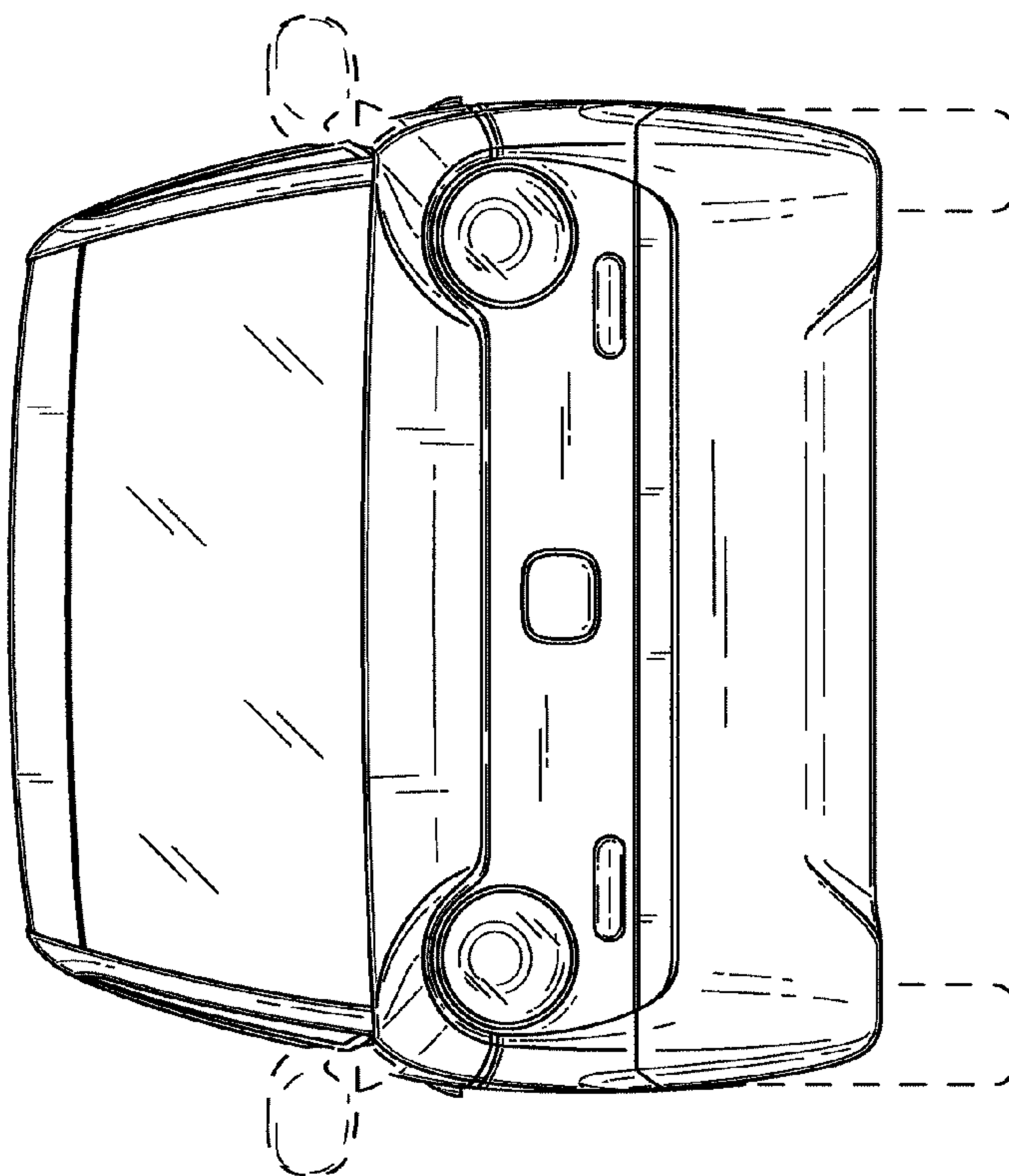


Fig 5

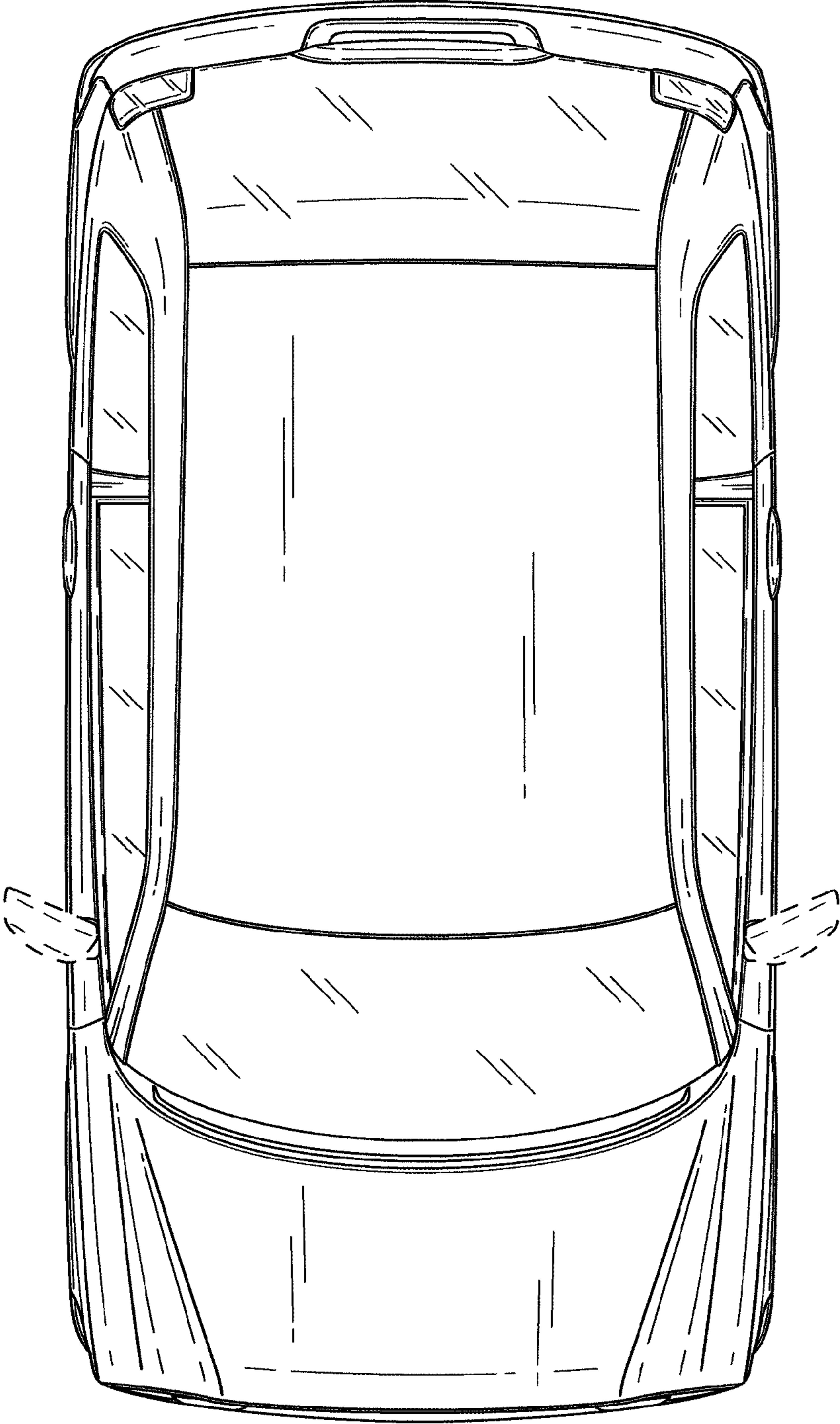


Fig 6

