



US00D622181S

(12) **United States Design Patent**  
**Phillips et al.**

(10) **Patent No.:** **US D622,181 S**

(45) **Date of Patent:** **\*\* \*Aug. 24, 2010**

(54) **TURF CLEANING MACHINE**

(76) Inventors: **Chad Phillips**, 8892 S. Yellowstone Hwy., Idaho Falls, ID (US) 83402; **Lyle Phillips**, 8892 S. Yellowstone Hwy., Idaho Falls, ID (US) 83402

(\*) Notice: This patent is subject to a terminal disclaimer.

(\*\*) Term: **14 Years**

(21) Appl. No.: **29/315,263**

(22) Filed: **Jun. 10, 2009**

(51) **LOC (9) Cl.** ..... **12-14**

(52) **U.S. Cl.** ..... **D12/1**

(58) **Field of Classification Search** ..... D12/1, D12/8, 9, 14; 15/314, 320; D32/15  
See application file for complete search history.

(56) **References Cited**

**U.S. PATENT DOCUMENTS**

3,402,420	A	9/1968	Schaeffer	
3,902,219	A	9/1975	Jones	
4,037,289	A *	7/1977	Dojan	15/320
4,200,950	A	5/1980	Coverley	
4,317,252	A *	3/1982	Knowlton	15/320
4,363,152	A *	12/1982	Karpanty	15/98
4,464,810	A *	8/1984	Karpanty	15/320
4,483,041	A *	11/1984	Waldhauser et al.	15/359
4,942,638	A *	7/1990	Helm	15/50.1
5,265,300	A *	11/1993	O'Hara et al.	15/49.1
5,341,540	A *	8/1994	Soupert et al.	15/319
5,455,985	A *	10/1995	Hamline et al.	15/401
D385,384	S *	10/1997	Creecy	D32/20
RE36,565	E *	2/2000	Burgoon et al.	15/320

6,108,859	A *	8/2000	Burgoon	15/320
6,357,070	B1 *	3/2002	Venard et al.	15/50.1
6,560,817	B2 *	5/2003	Deiterman et al.	15/320
6,763,544	B2 *	7/2004	Stuchlik	15/50.1
6,842,940	B2 *	1/2005	Christopher et al.	15/320
6,895,633	B2 *	5/2005	Tucker	15/401
6,964,081	B1 *	11/2005	Clement et al.	15/320
7,287,299	B2 *	10/2007	Joynt	15/320
7,448,114	B2 *	11/2008	Basham et al.	15/320

\* cited by examiner

*Primary Examiner*—T. Chase Nelson  
*Assistant Examiner*—Ania K Dworzecka  
(74) *Attorney, Agent, or Firm*—Paul R Martin

(57) **CLAIM**

The ornamental design for a turf cleaning machine, as shown and described:

**DESCRIPTION**

FIG. 1 is a perspective view of the turf cleaning machine of this invention.

FIG. 2 is a side elevational view of the machine shown in FIG. 1.

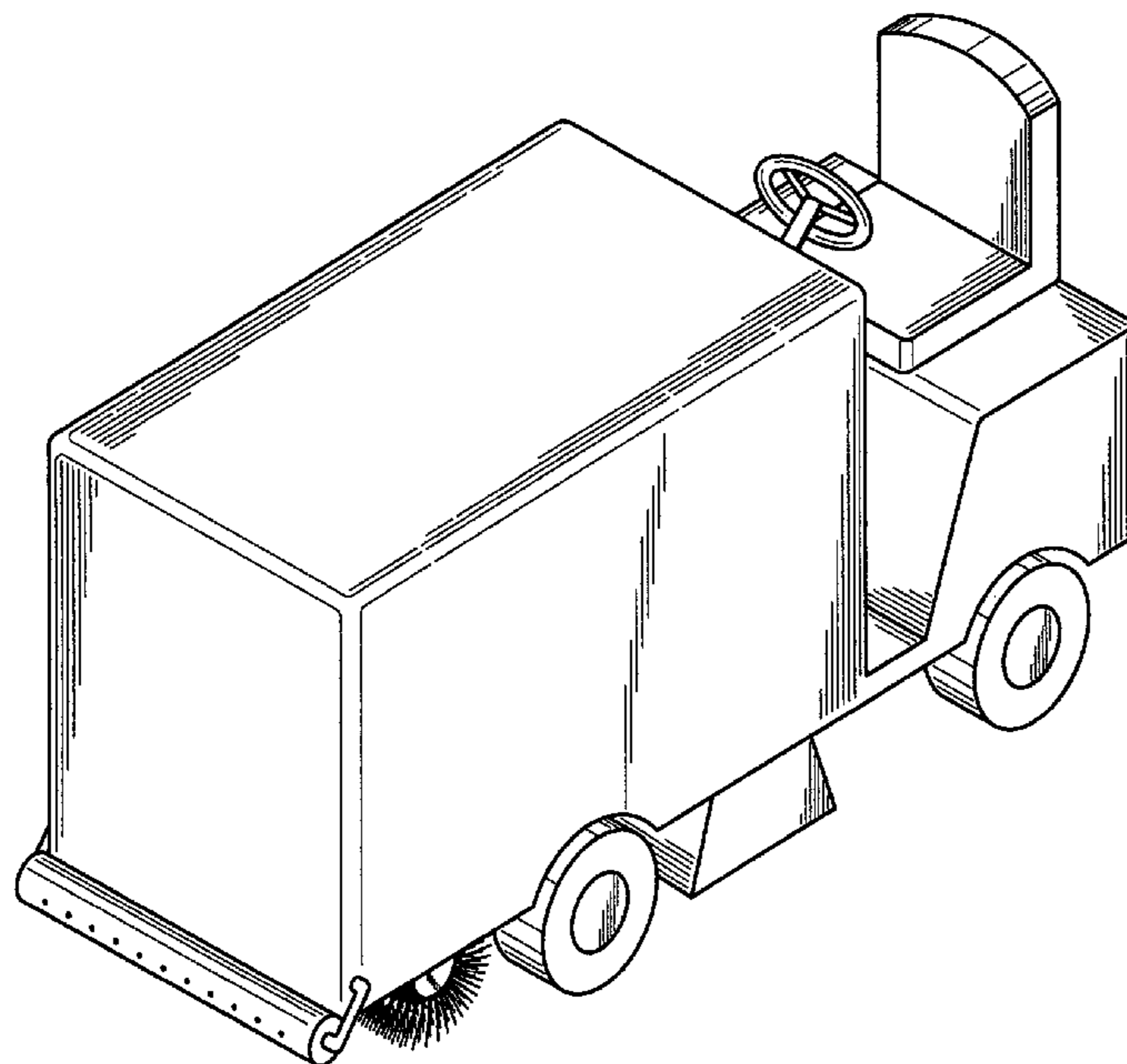
FIG. 3 is a front elevational view of the machine shown in FIG. 1.

FIG. 4 is a rear elevational view of the machine shown in FIG. 1.

FIG. 5 is an side elevational view of the opposite side of the machine to that shown in FIG. 2.

FIG. 6 is a top plan view of the machine shown in FIG. 1; and, FIG. 7 is a bottom plan view of the machine shown in FIG. 1.

**1 Claim, 4 Drawing Sheets**



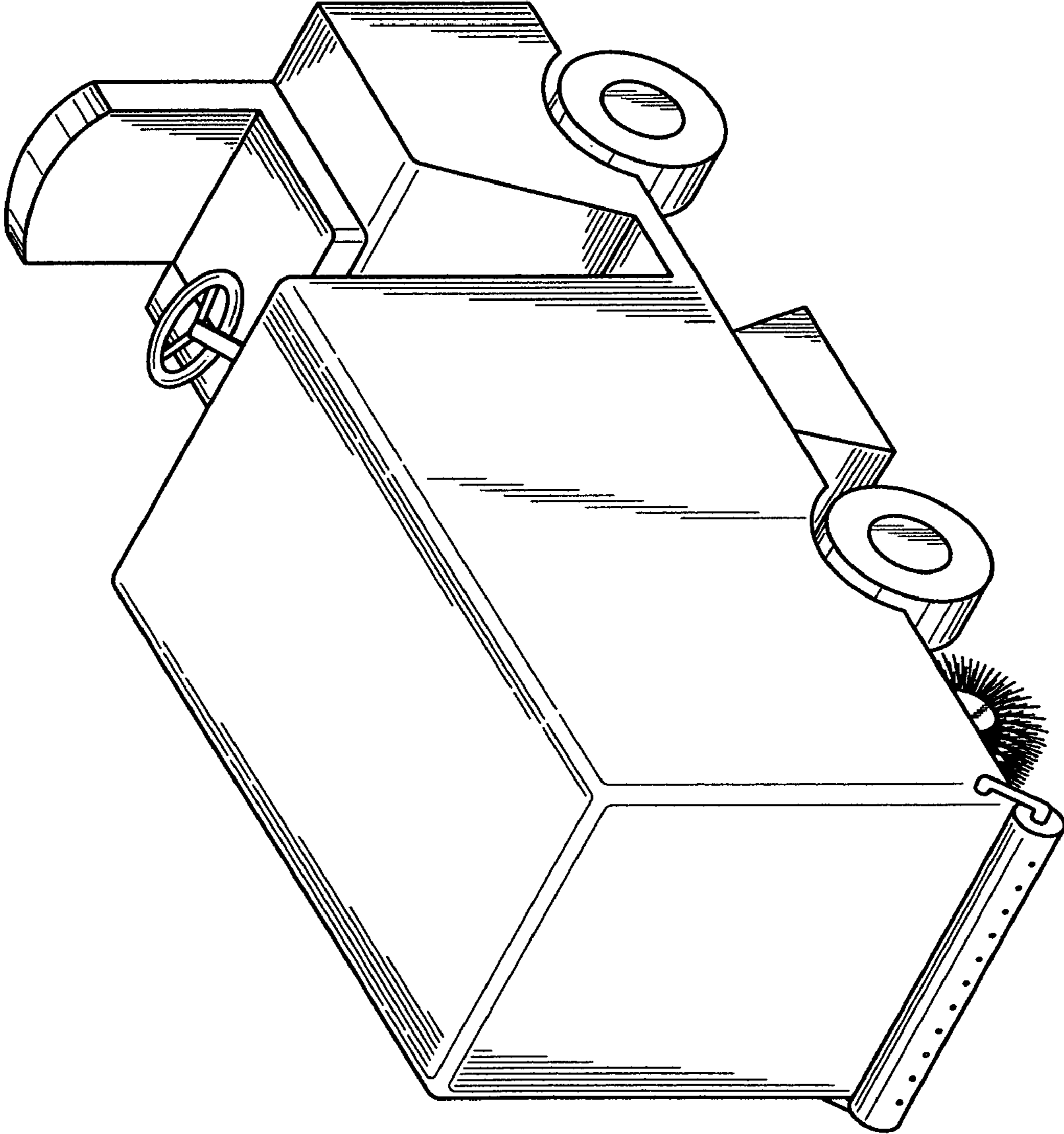


FIG. 1

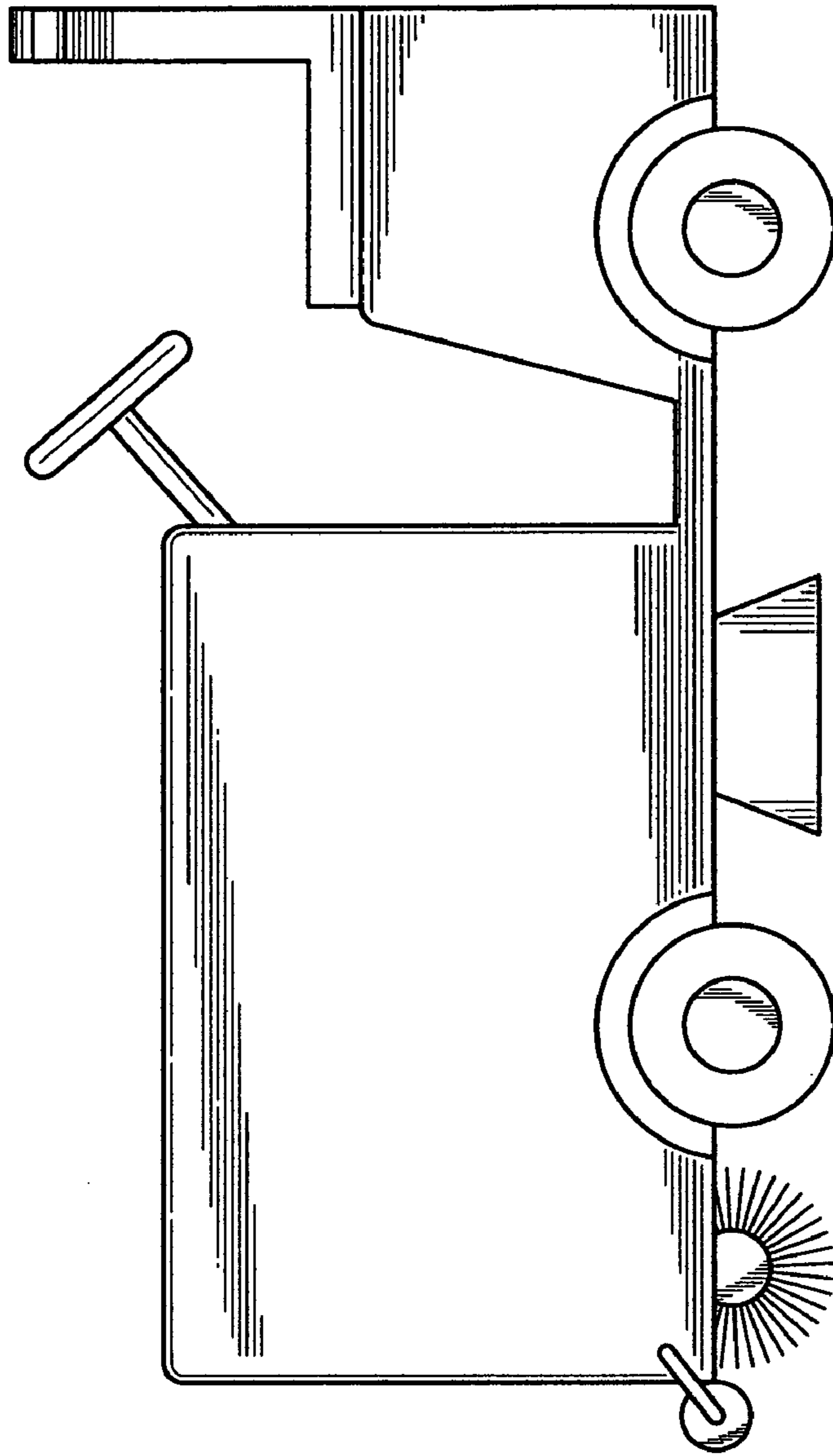


FIG. 2

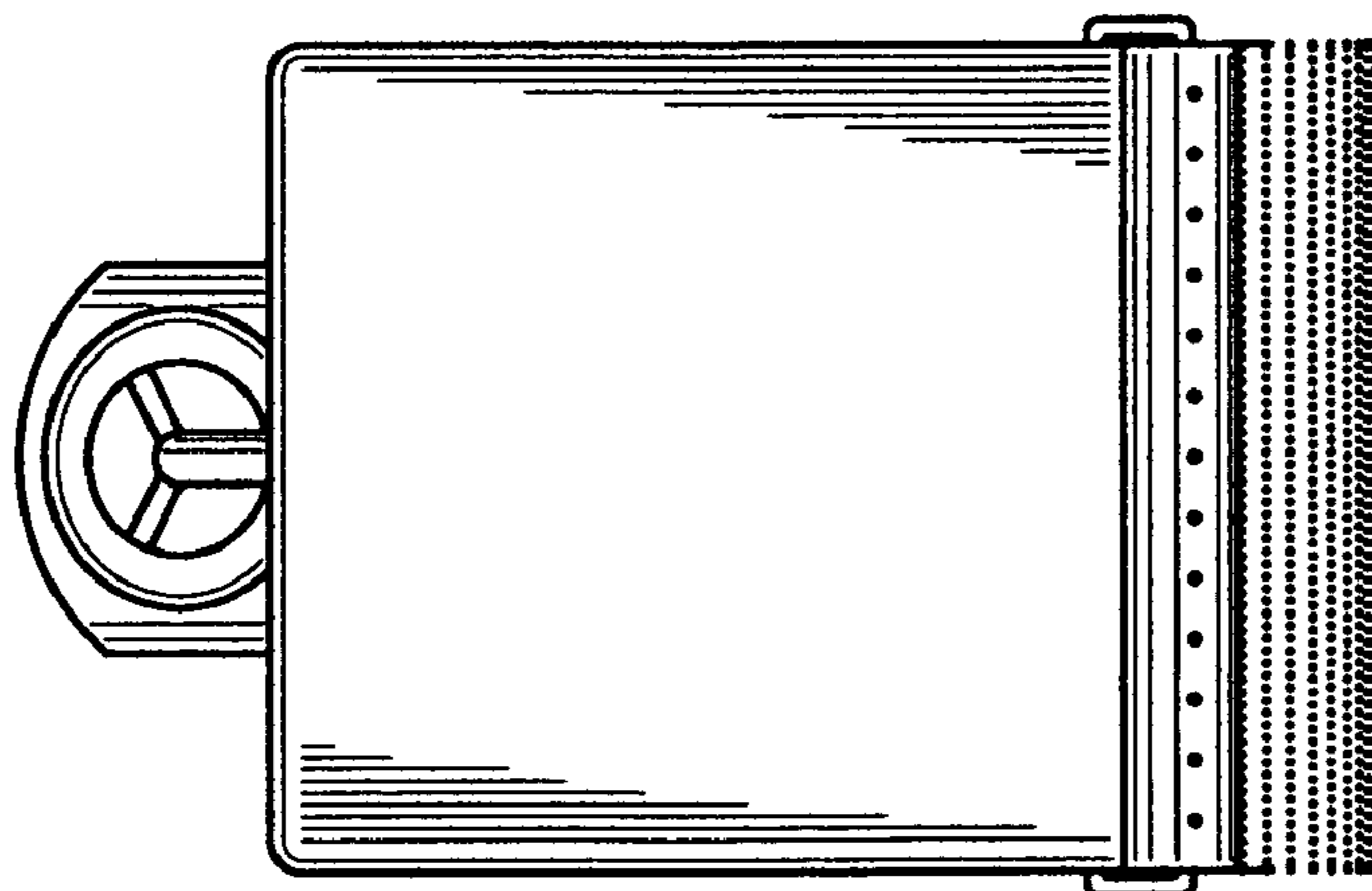


FIG. 3

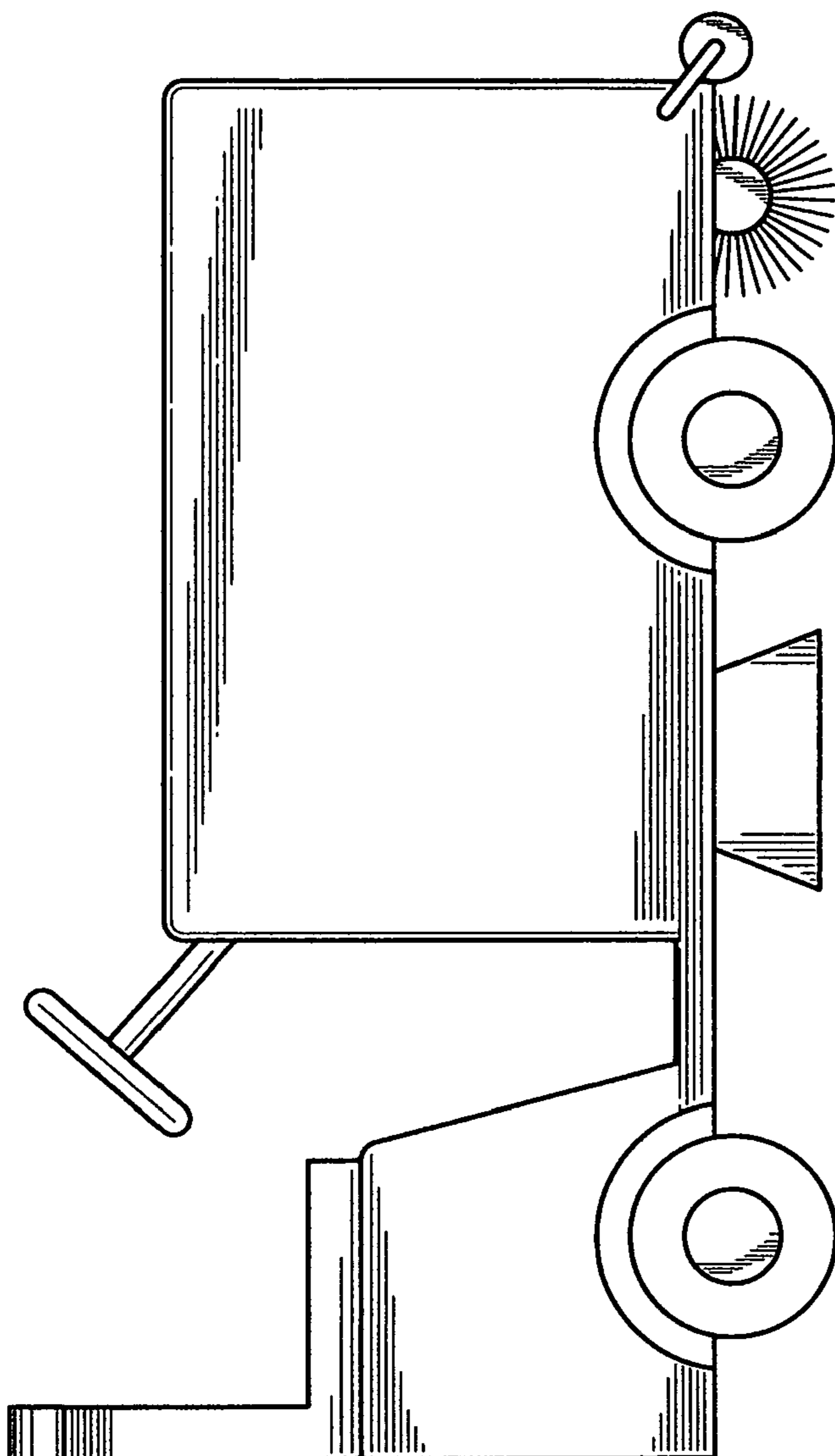


FIG. 4

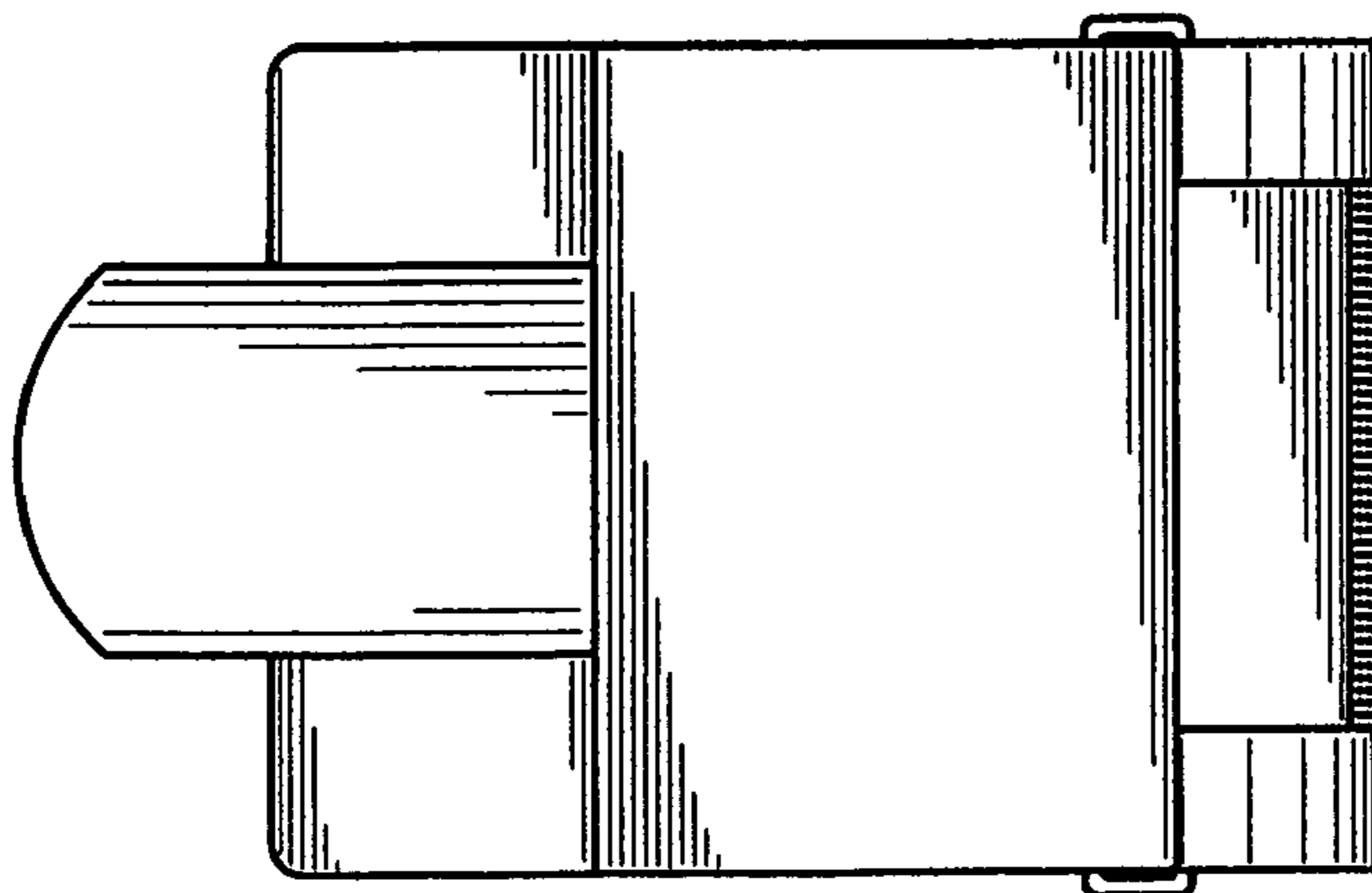


FIG. 5

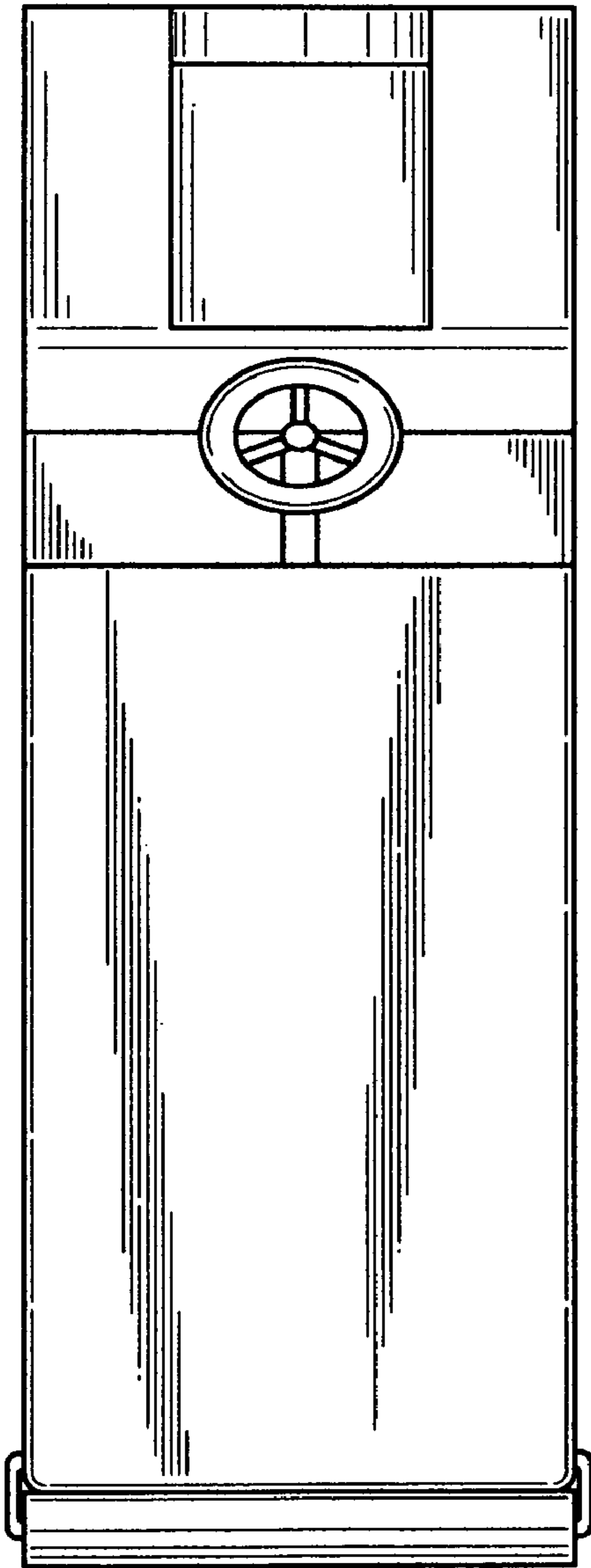


FIG. 6

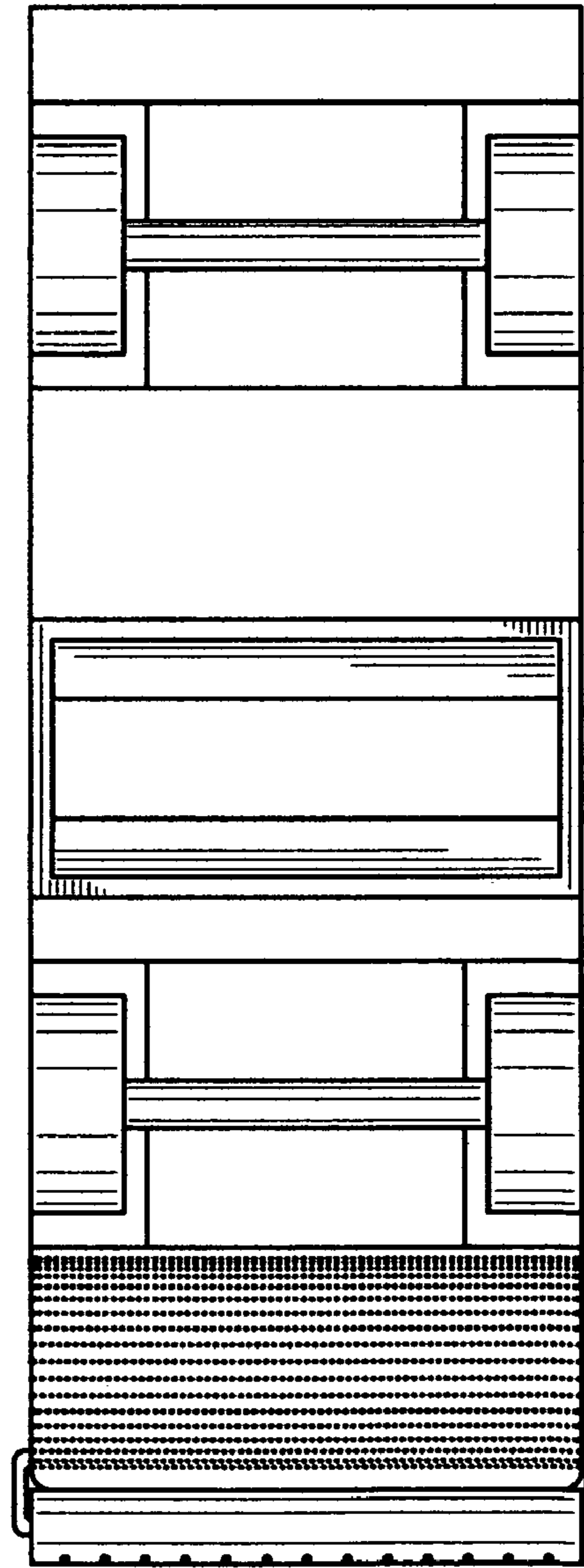


FIG. 7