



US00D622180S

(12) **United States Design Patent**  
**Cresswell**

(10) **Patent No.:** **US D622,180 S**

(45) **Date of Patent:** **\*\* Aug. 24, 2010**

(54) **DOUBLE BUCKLE FOR A SCUBA HARNESS**

D508,872 S \* 8/2005 Hoepner ..... D11/216  
D600,160 S \* 9/2009 Kosh et al. .... D11/218

(76) Inventor: **Gary A. Cresswell**, 49 Haven Rd.,  
Plymouth, MA (US) 02360

\* cited by examiner

(\*\*) Term: **14 Years**

*Primary Examiner*—Ralf Seifert

(74) *Attorney, Agent, or Firm*—John P. McGonagle

(21) Appl. No.: **29/316,462**

(57) **CLAIM**

(22) Filed: **Sep. 30, 2009**

The ornamental design for a double buckle for a scuba har-  
ness, as shown and described.

(51) **LOC (9) Cl.** ..... **02-07**

(52) **U.S. Cl.** ..... **D11/218**

(58) **Field of Classification Search** ..... D11/1-2,  
D11/200-201, 203-206, 210, 212, 214-219,  
D11/222, 224, 226; 24/163 R, 169-171,  
24/173, 177-179, 191, 194-195, 197, 200,  
24/646

**DESCRIPTION**

FIG. 1 is a front perspective view of a double buckle for a  
scuba harness embodying my new design attached to a scuba  
harness system, wherein a belt attached to the buckle is shown  
in broken lines for illustrative purposes only and forms no part  
of the claimed design;

See application file for complete search history.

FIG. 2 is a front view thereof;

(56) **References Cited**

**U.S. PATENT DOCUMENTS**

FIG. 3 is a bottom view thereof;

D171,045 S \* 12/1953 Noe ..... D11/216

3,165,805 A \* 1/1965 Lower ..... 24/646

4,095,314 A \* 6/1978 Gaylord ..... 24/645

D333,640 S \* 3/1993 Keller ..... D11/218

D466,438 S \* 12/2002 Buettell ..... D11/200

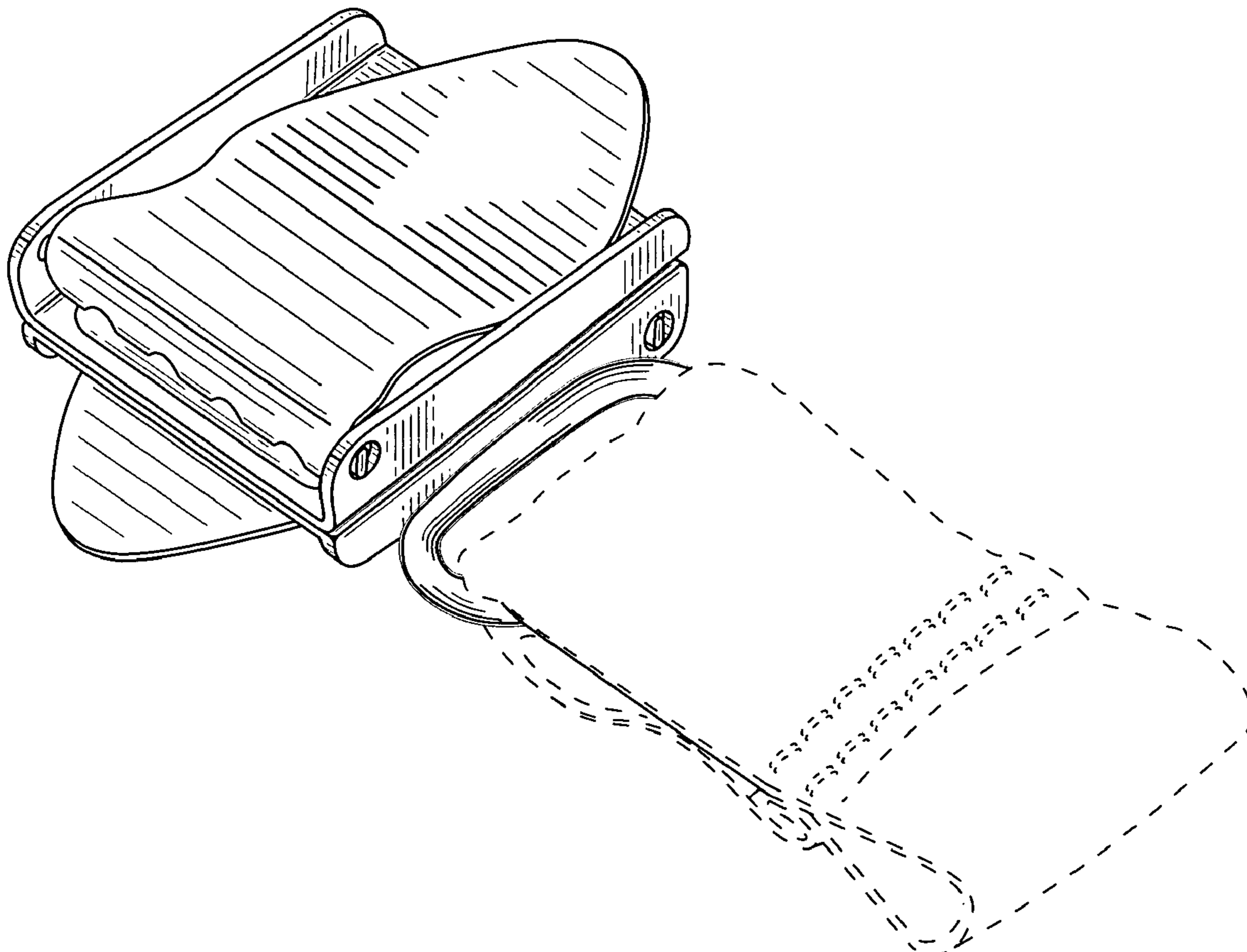
FIG. 4 is a left side view thereof;

FIG. 5 is a rear view thereof;

FIG. 6 is a right side view thereof; and,

FIG. 7 is a top view thereof.

**1 Claim, 2 Drawing Sheets**



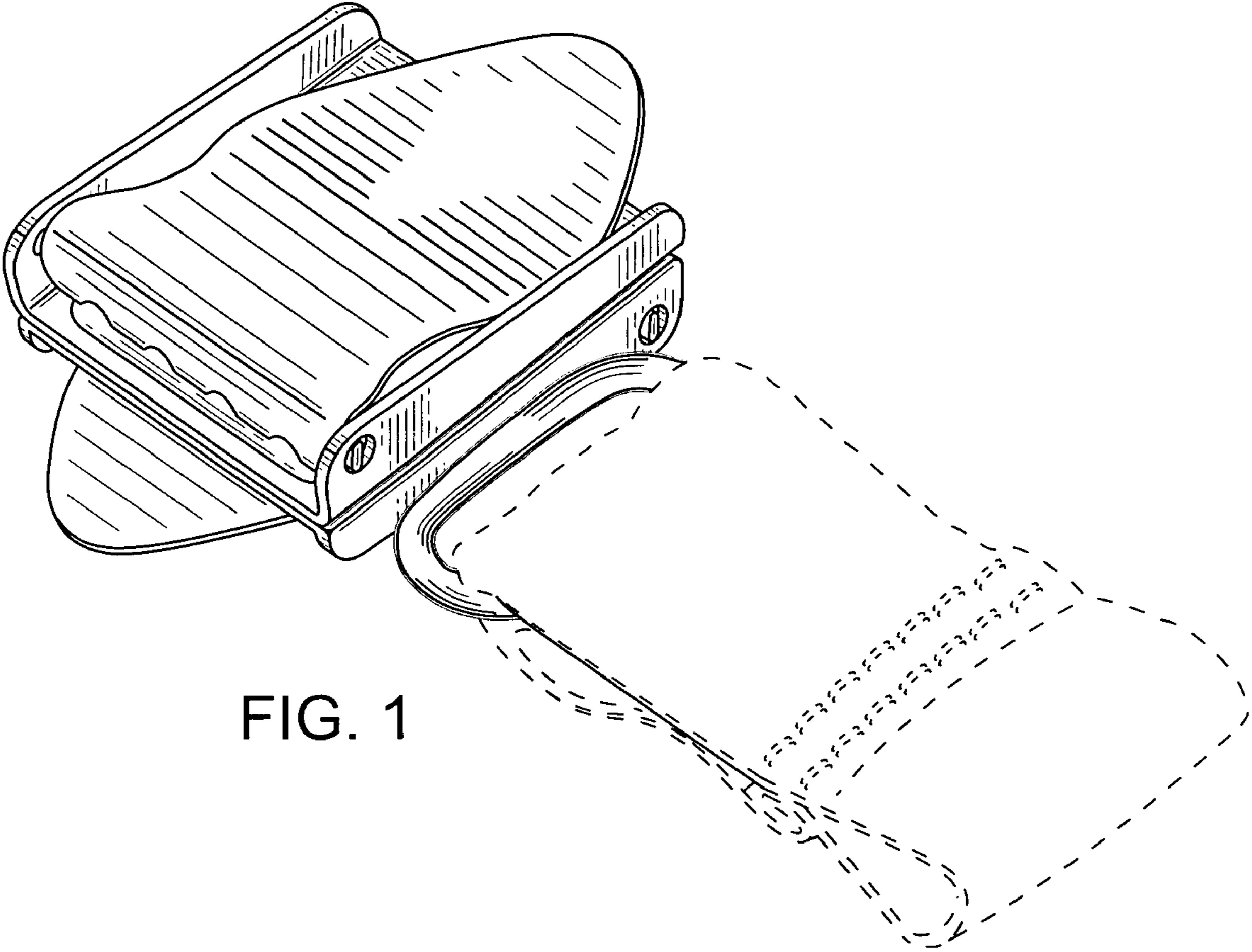


FIG. 1

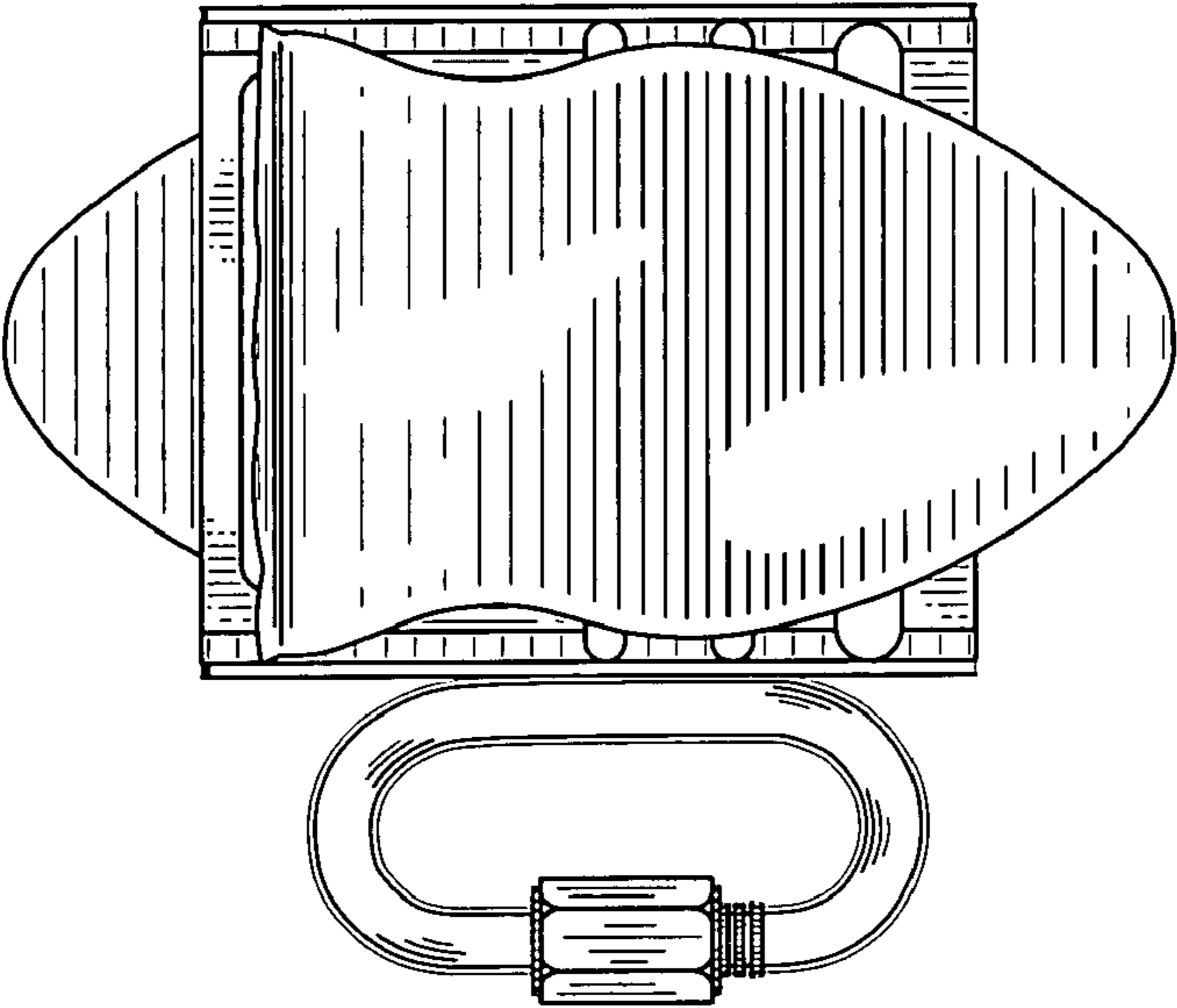


FIG. 2

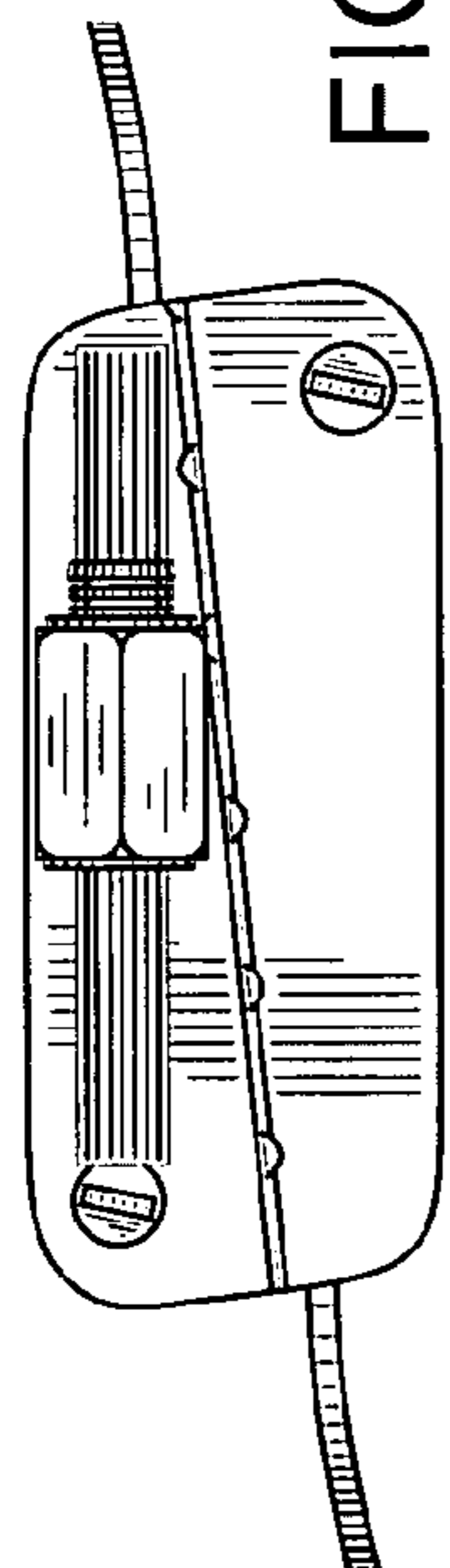


FIG. 3

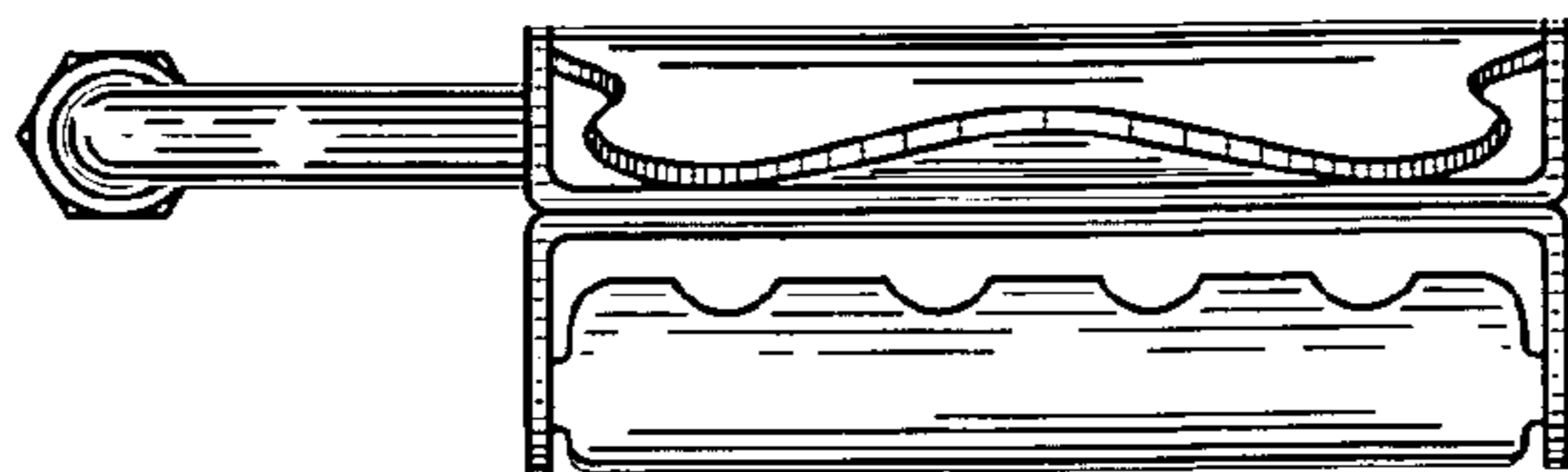


FIG. 4

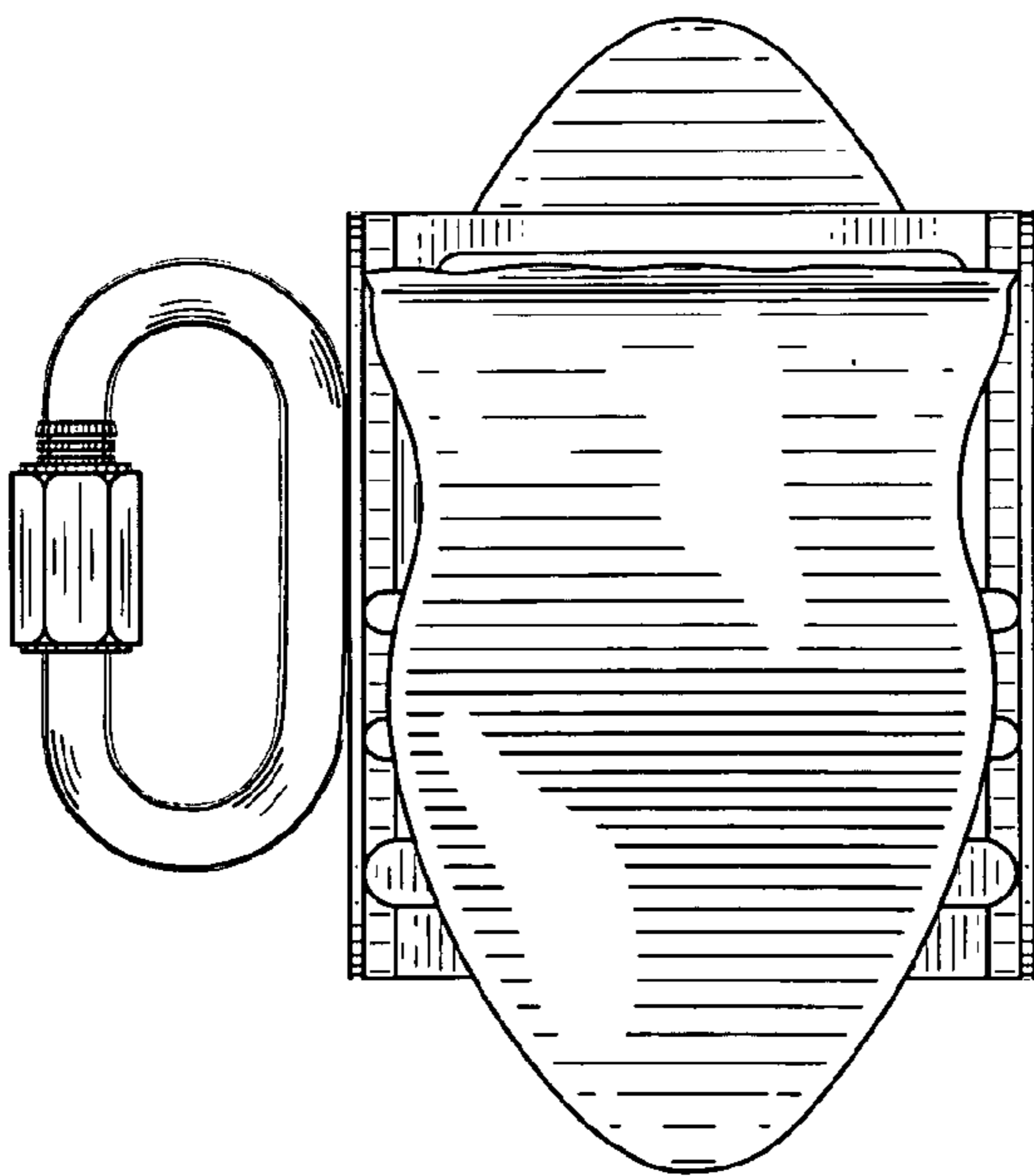


FIG. 5

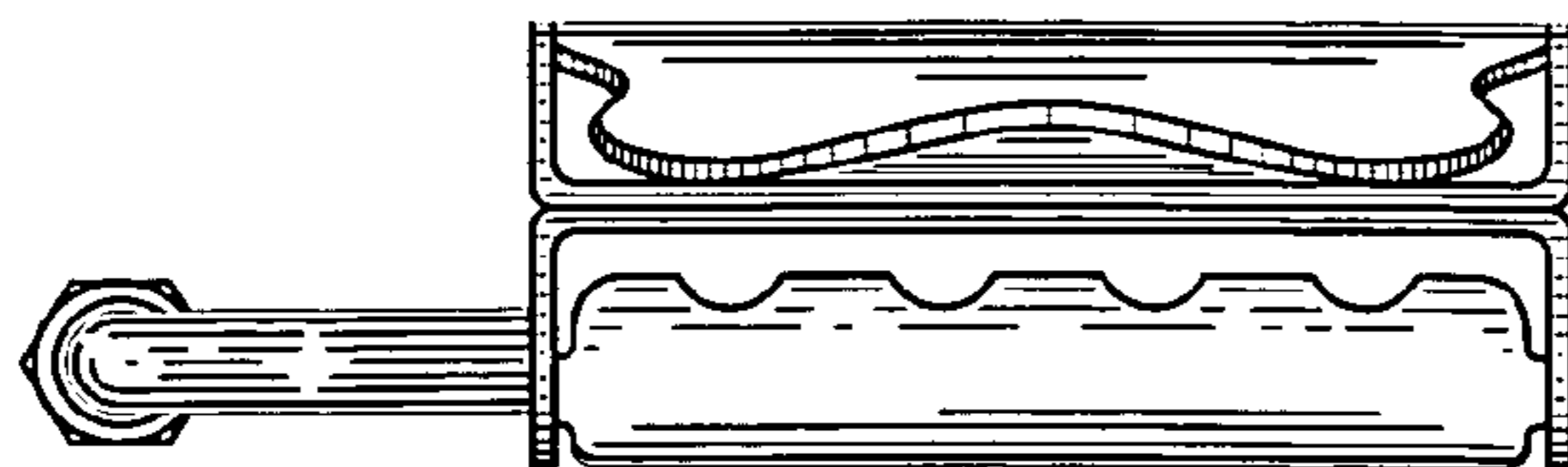


FIG. 6

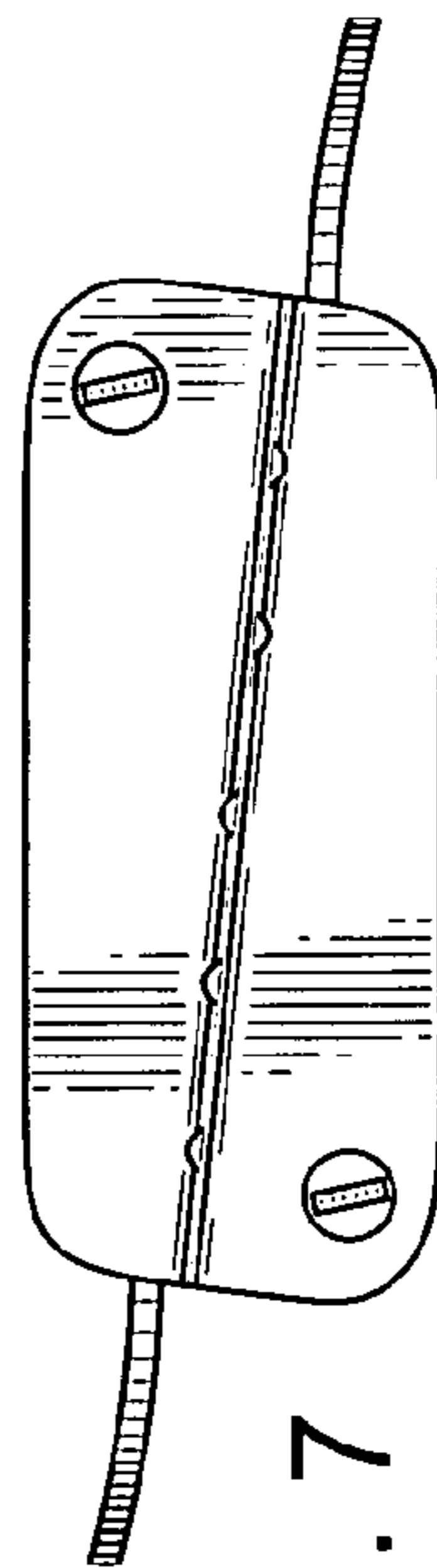


FIG. 7