

US00D622177S

(12) **United States Design Patent**
Chan

(10) **Patent No.:** **US D622,177 S**

(45) **Date of Patent:** **** Aug. 24, 2010**

(54) **HERB KEEPER**

D517,411 S * 3/2006 Okimoto D9/504
D563,733 S * 3/2008 Wang D7/629
D599,619 S 9/2009 Bodum

(75) Inventor: **David Chan**, Scarborough (CA)

(73) Assignee: **Browne & Co.**, Markham, Ontario (CA)

* cited by examiner

(**) Term: **14 Years**

Primary Examiner—Terry A Wallace

(21) Appl. No.: **29/352,390**

(74) *Attorney, Agent, or Firm*—Gowling LaFleur Henderson LLP

(22) Filed: **Dec. 21, 2009**

(57) **CLAIM**

(30) **Foreign Application Priority Data**

Dec. 16, 2009 (CA) 133363

The ornamental design for a herb keeper, as shown and described.

(51) **LOC (9) Cl.** **11-02**

DESCRIPTION

(52) **U.S. Cl.** **D11/143**

(58) **Field of Classification Search** D7/601,
D7/602, 629, 630, 612–615; D11/143, 144,
D11/145, 152; D9/516, 549, 558, 559, 574,
D9/575

FIG. 1 is a top perspective view of the herb keeper,

FIG. 2 is a front view, the back and side views being the same of the herb keeper,

FIG. 3 is a top plan view of the herb keeper; and,

FIG. 4 is a bottom plan view of the herb keeper.

See application file for complete search history.

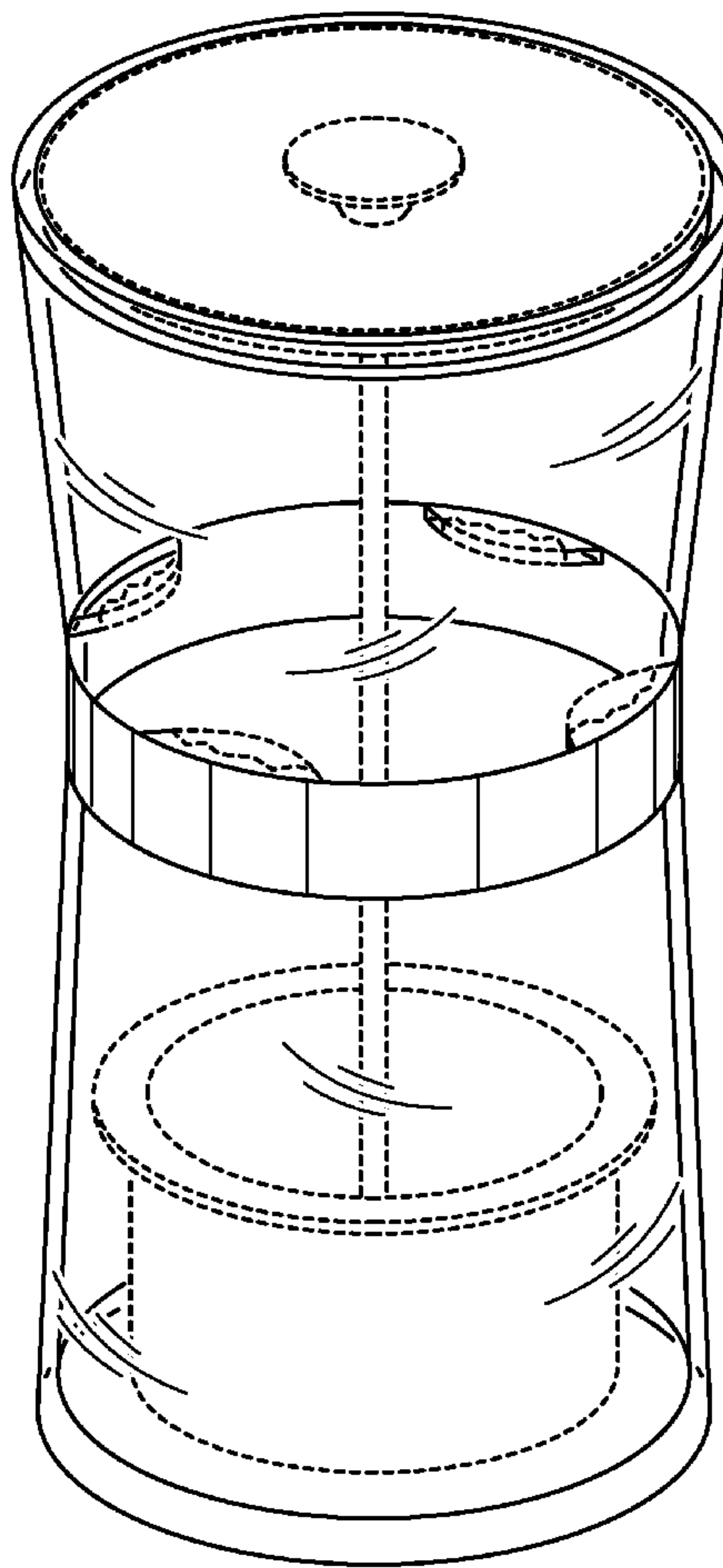
The broken lines shown in the Figures are for illustrative purposes only and form no part of the claimed design.

(56) **References Cited**

U.S. PATENT DOCUMENTS

D239,920 S * 5/1976 Flores D9/428
D361,714 S * 8/1995 Krupa D9/645

1 Claim, 3 Drawing Sheets



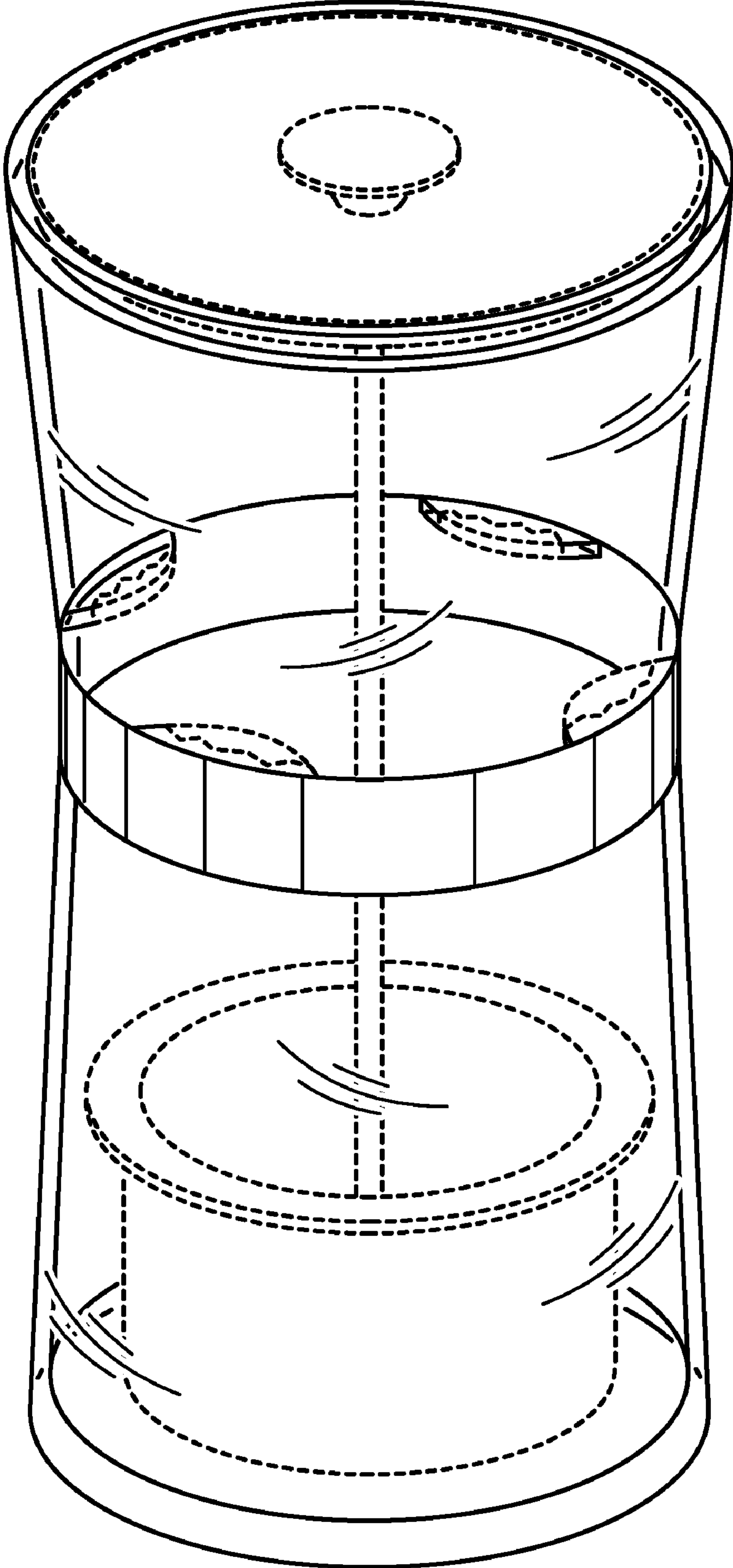


FIG. 1

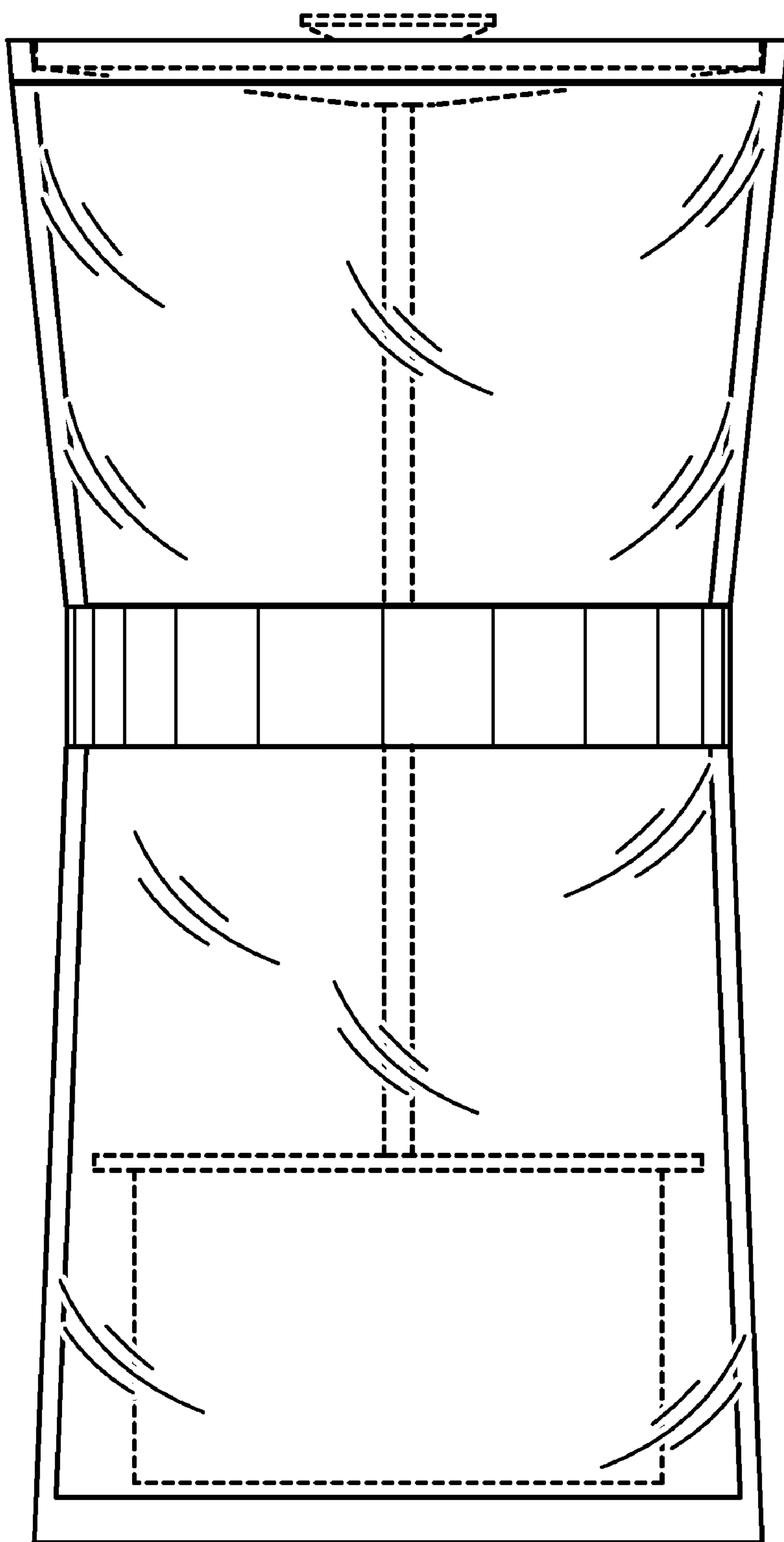


FIG. 2

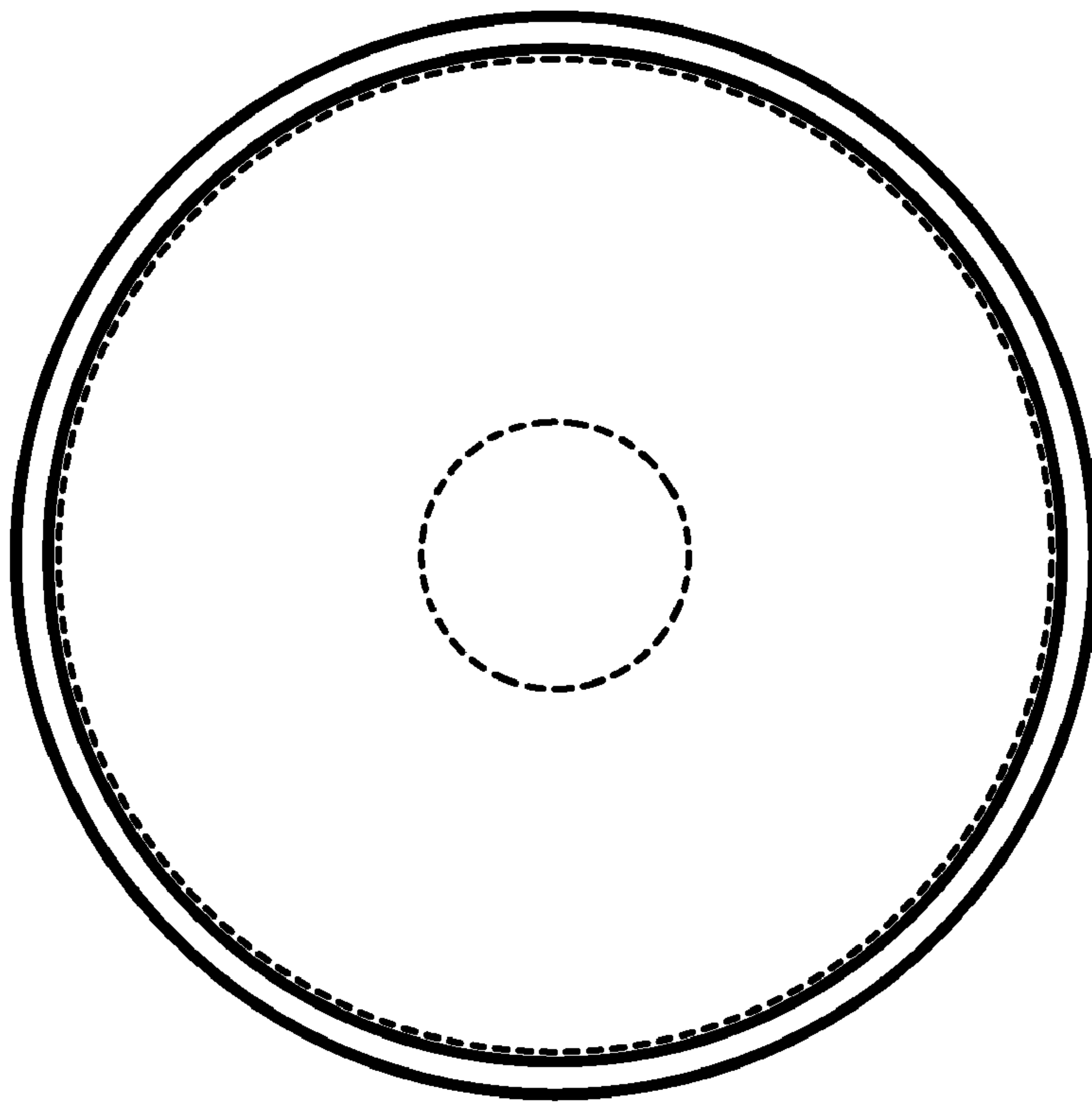


FIG. 3

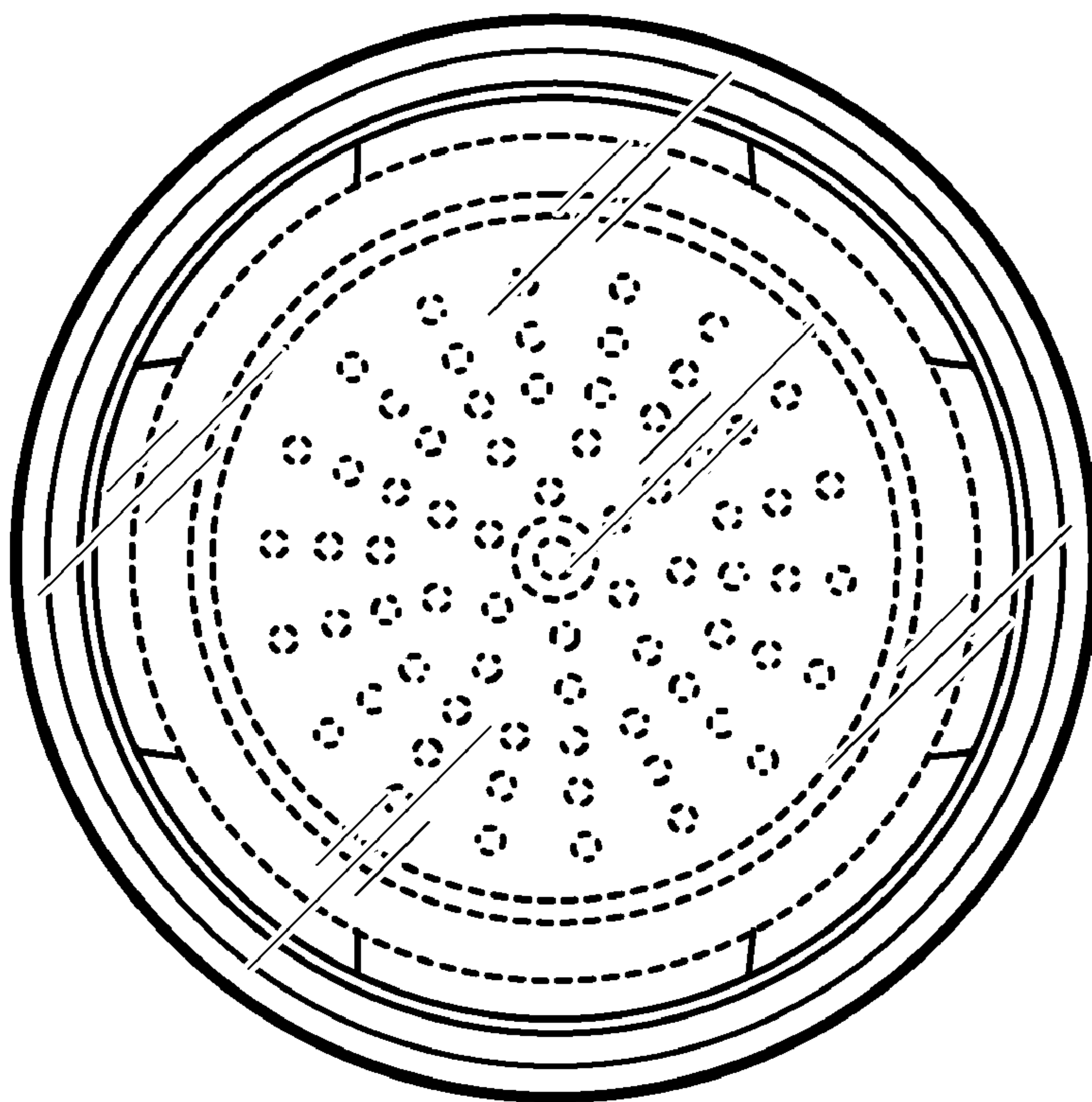


FIG. 4