



US00D622173S

(12) **United States Design Patent**
Blad et al.

(10) **Patent No.:** **US D622,173 S**

(45) **Date of Patent:** **** Aug. 24, 2010**

(54) **JEWELRY WITH FASTENER**

(76) Inventors: **Angela Blad**, 1524 S. 174th Cir.,
Omaha, NE (US) 68130; **Rachel Penke**,
16301 S. 56th St., Papillion, NE (US)
68133

(**) Term: **14 Years**

(21) Appl. No.: **29/337,547**

(22) Filed: **May 26, 2009**

(51) **LOC (9) Cl.** **11-01**

(52) **U.S. Cl.** **D11/76; D11/40; D11/41;**
D11/87

(58) **Field of Classification Search** D11/1,
D11/2, 6-12, 16, 26-28, 40-44, 70, 75, 76,
D11/86, 89; 63/1.11, 3, 20, 22, 23, 26-33
See application file for complete search history.

(56) **References Cited**

U.S. PATENT DOCUMENTS

D42,604 S *	6/1912	Huml	D11/207
D67,450 S *	6/1925	Haines	D11/47
D124,415 S *	12/1940	Silson	D11/40
D135,780 S *	6/1943	Levy	D11/40
D147,214 S *	7/1947	Dawer	D11/76
2,600,319 A *	6/1952	Postel	63/29.1
D171,341 S *	1/1954	Katz	D11/76
D175,409 S *	8/1955	Katz	D11/76
D177,395 S *	4/1956	Katz	D11/76
3,088,295 A *	5/1963	Haines	63/20
D199,363 S *	10/1964	Katz	D11/89
D262,197 S *	12/1981	Barr	D11/34
4,507,344 A *	3/1985	Baughman	428/99

D390,151 S *	2/1998	Blum et al.	D11/40
D409,518 S *	5/1999	Ho	D11/91
D474,993 S *	5/2003	Ambar	D11/76
D485,509 S *	1/2004	Shagalov	D11/91
D508,867 S *	8/2005	Shum	D11/91
7,461,452 B1 *	12/2008	Kothari	29/896.412

* cited by examiner

Primary Examiner—Robert M Spear

Assistant Examiner—Rashida C McCoy

(74) *Attorney, Agent, or Firm*—Suiter Swantz pc llo

(57) **CLAIM**

We claim the ornamental design for a jewelry with fastener, as shown and described.

DESCRIPTION

FIG. 1 is a front elevation view of a jewelry with fastener, showing the jewelry portion removed from the fastener for clarity of disclosure, the rear view being a mirror image thereof;

FIG. 2 is a top plan view thereof;

FIG. 3 is a bottom plan thereof;

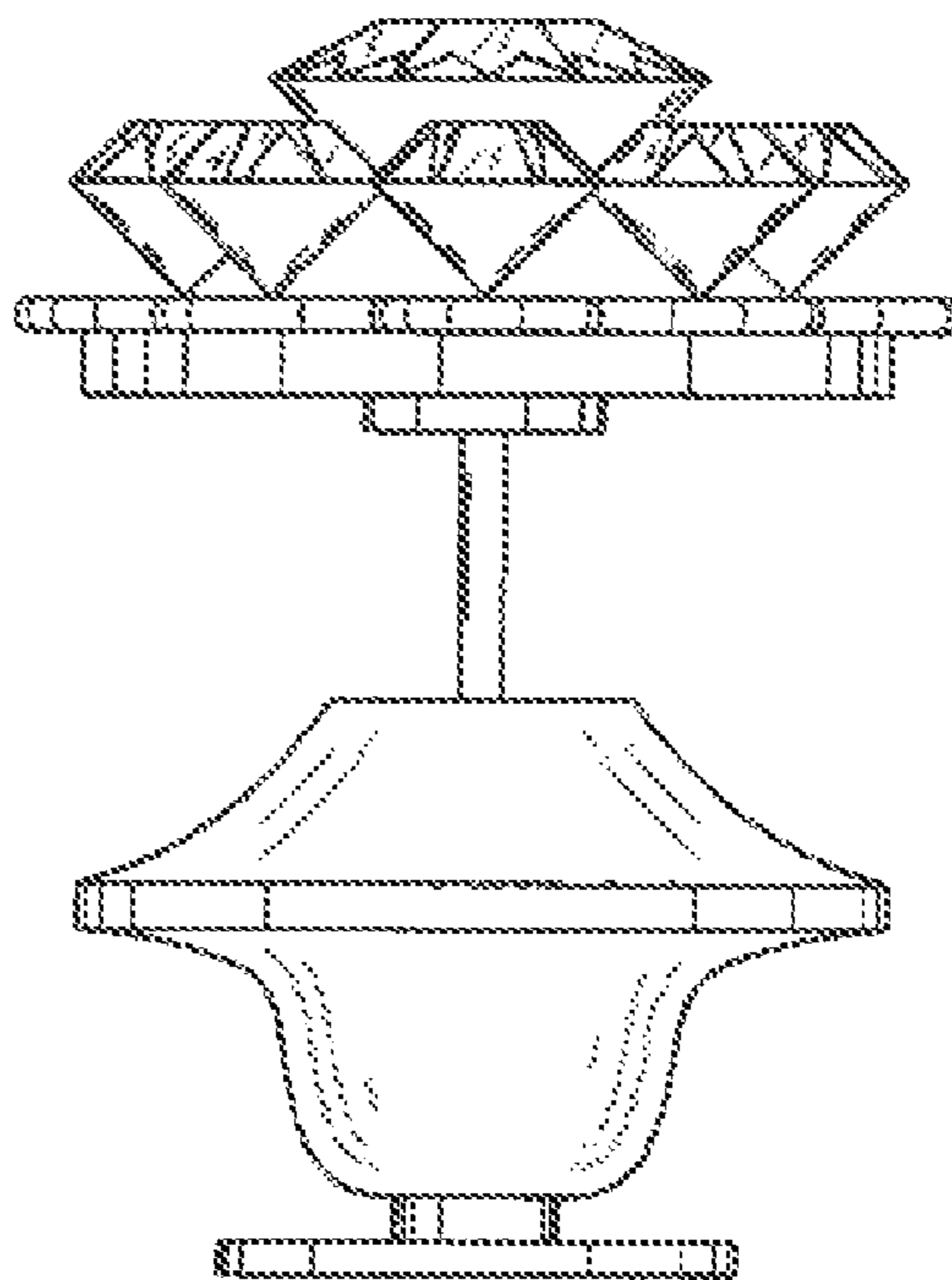
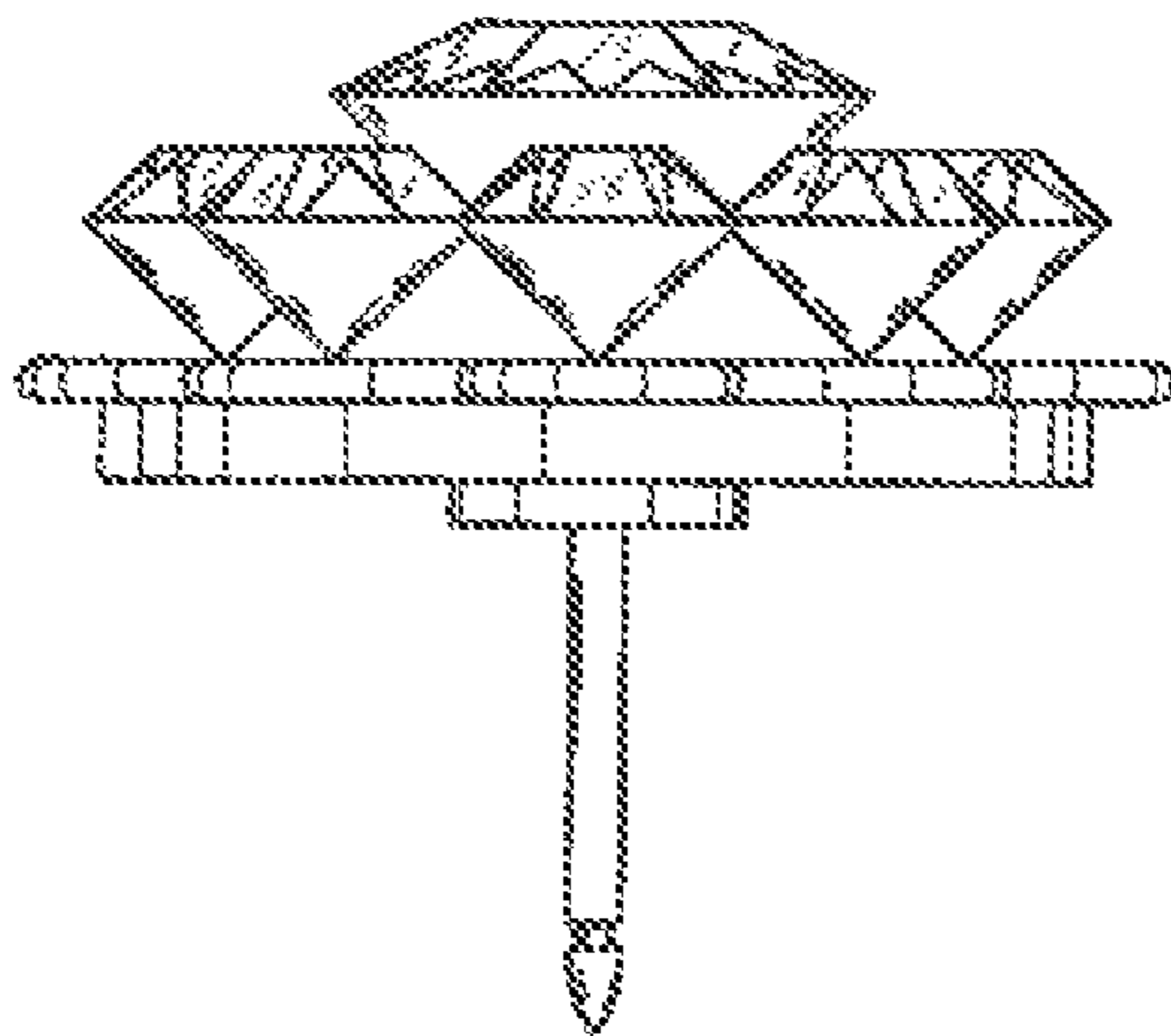
FIG. 4 is a front elevation view of a fastener, removed from the jewelry portion for clarity of disclosure, the rear view being a mirror image thereof;

FIG. 5 is a top plan view thereof;

FIG. 6 is a bottom plan thereof;

FIG. 7 is a front elevation view of a jewelry with fastener; and, FIG. 8 is an isometric view thereof.

1 Claim, 2 Drawing Sheets



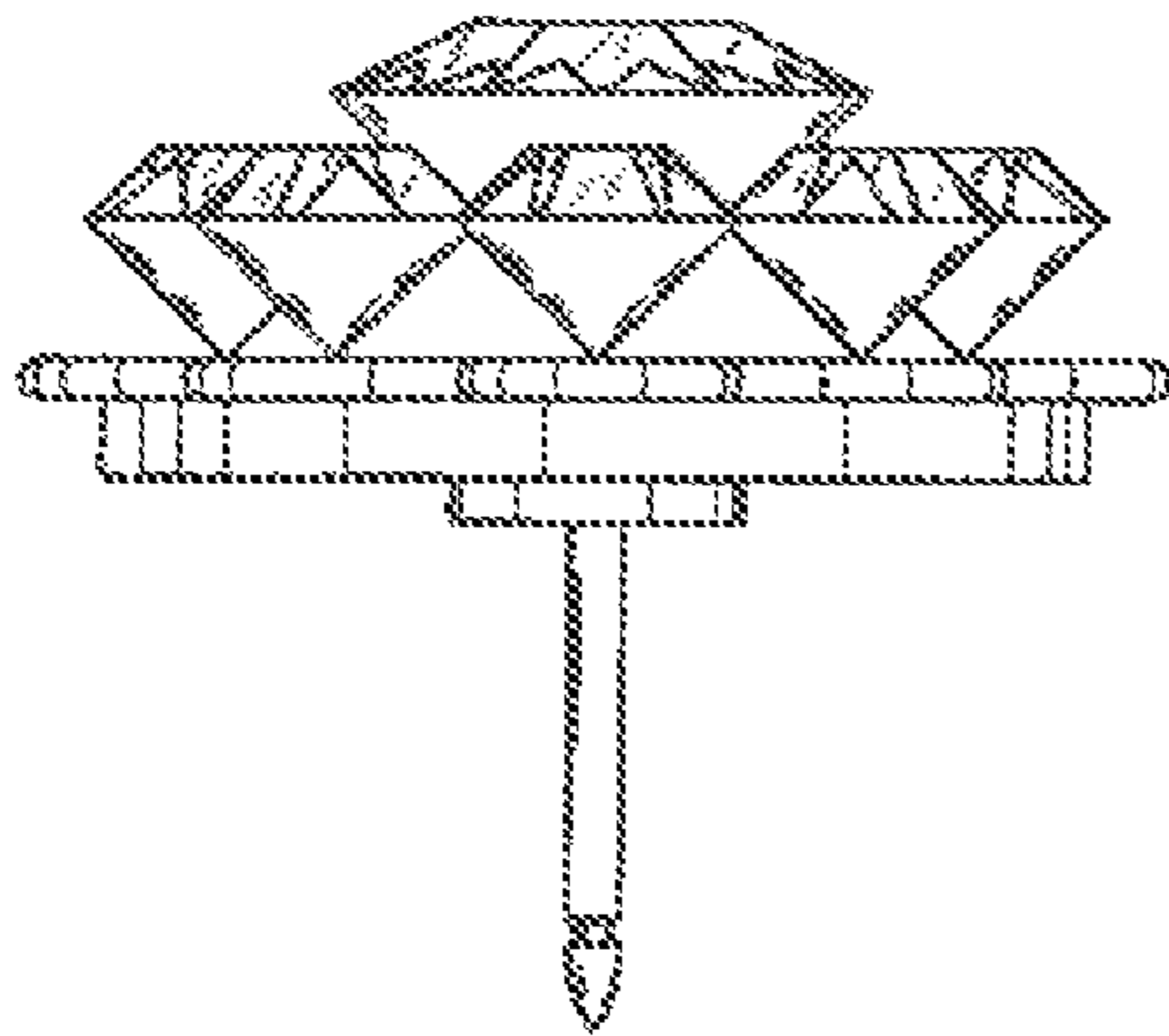


FIG. 1

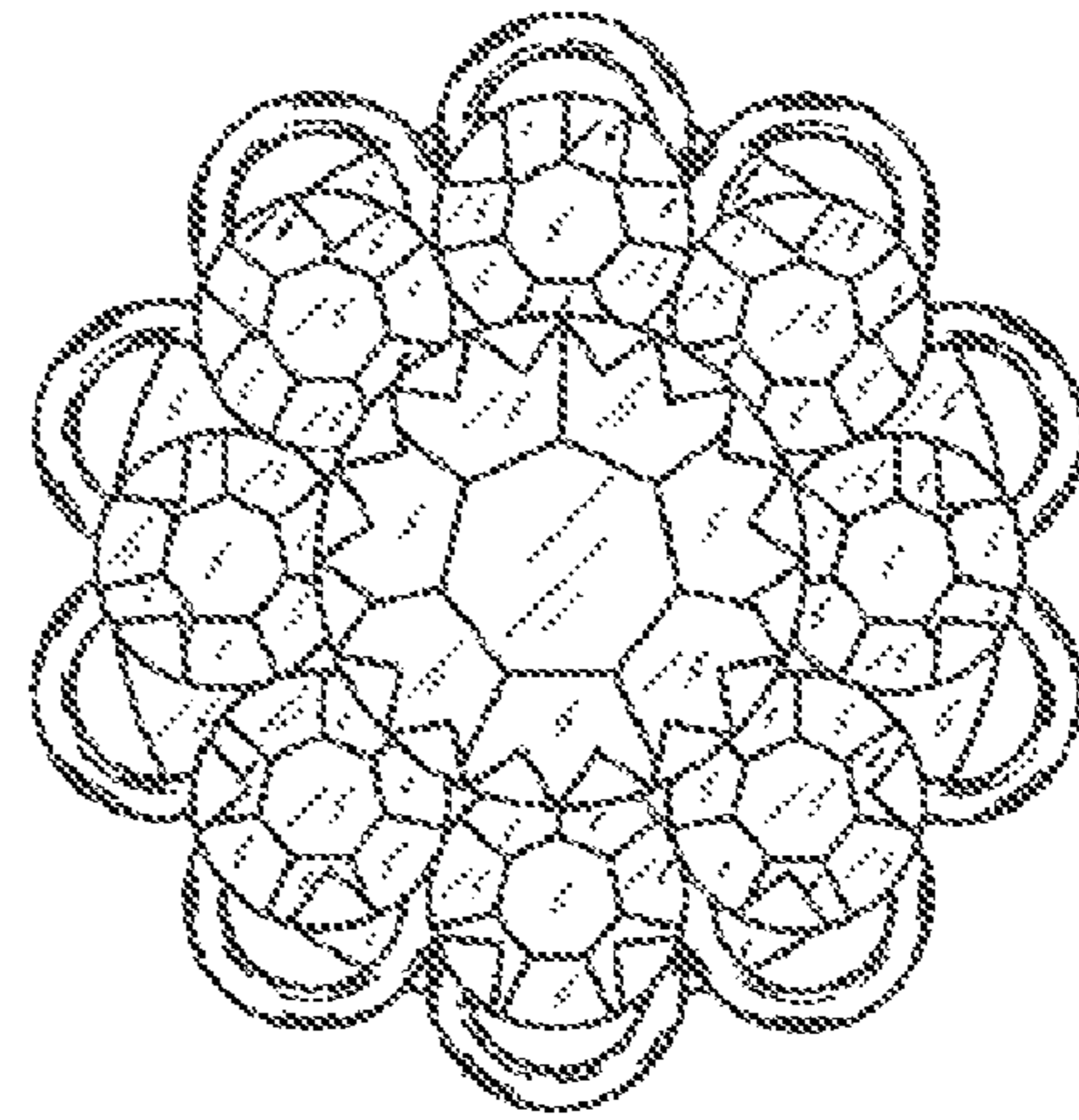


FIG. 2

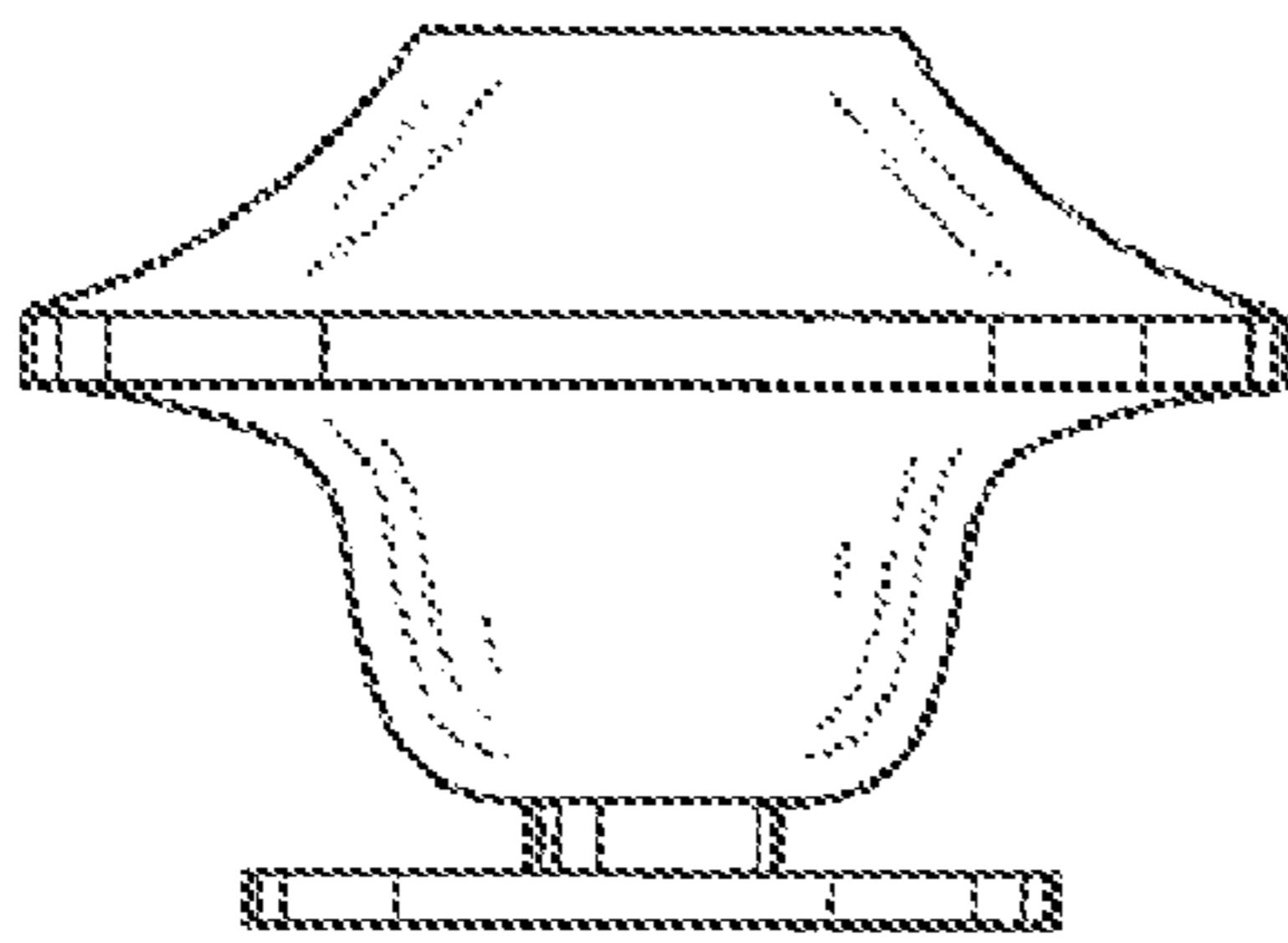


FIG. 4

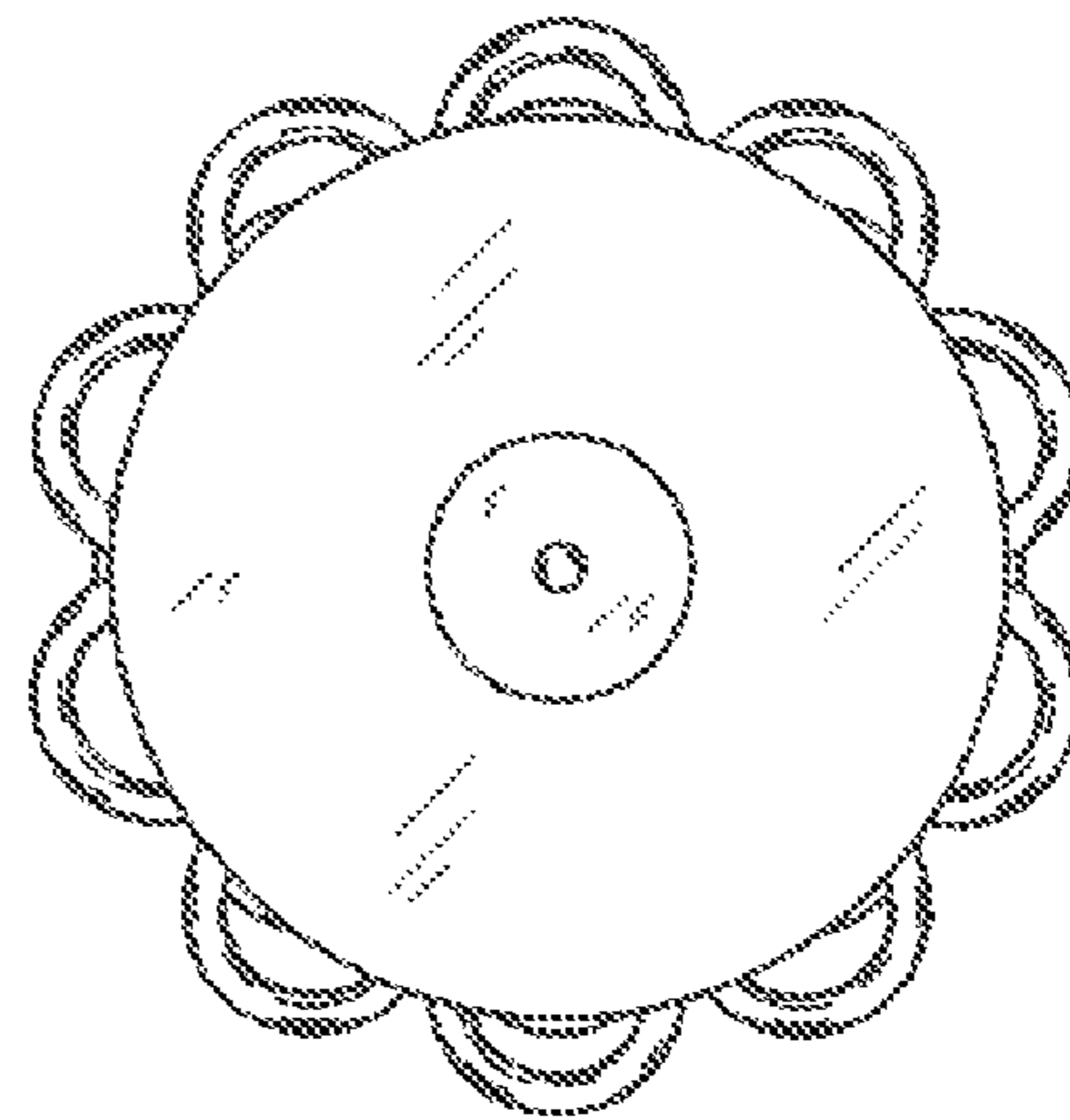


FIG. 3

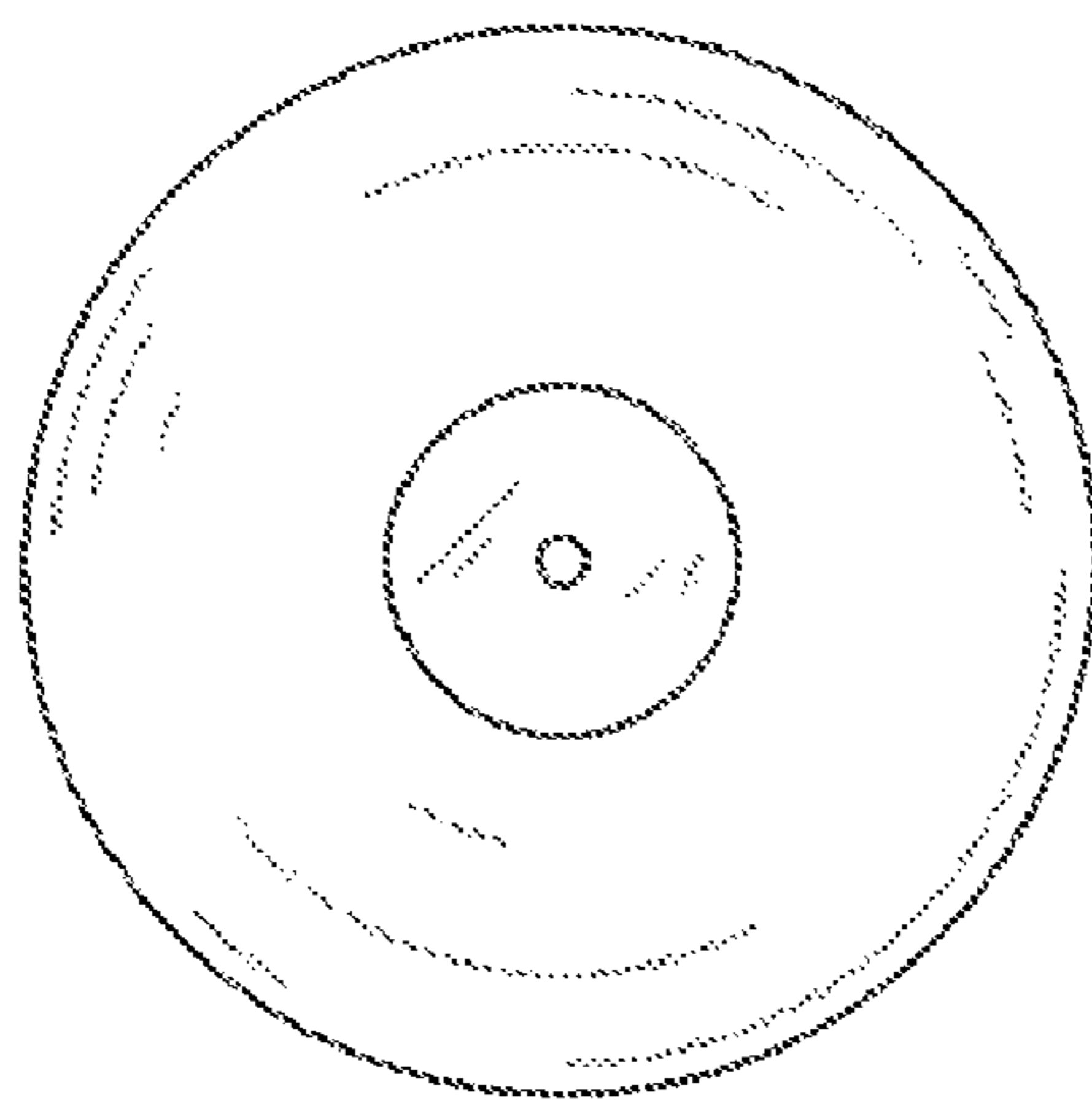


FIG. 5

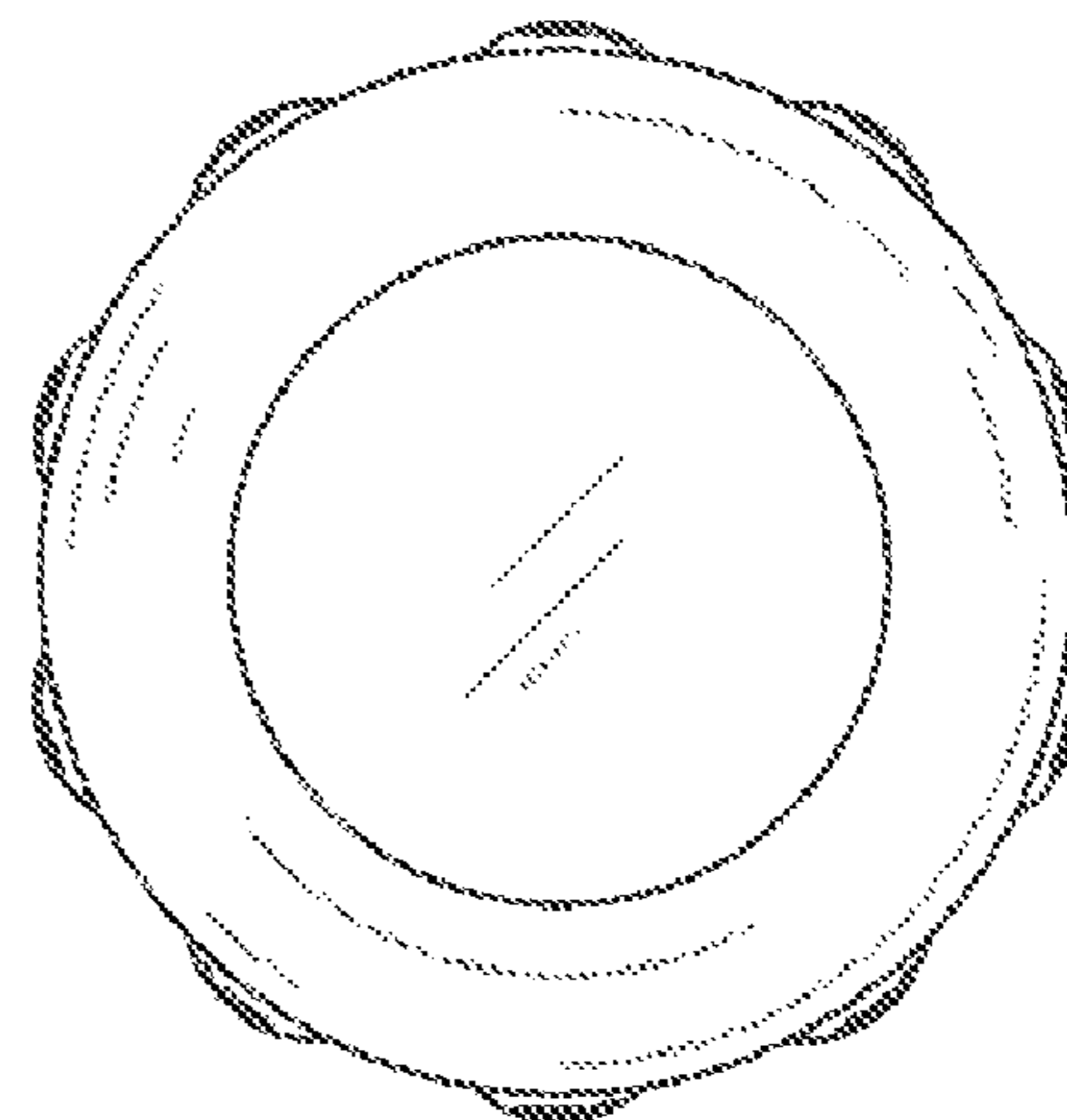


FIG. 6

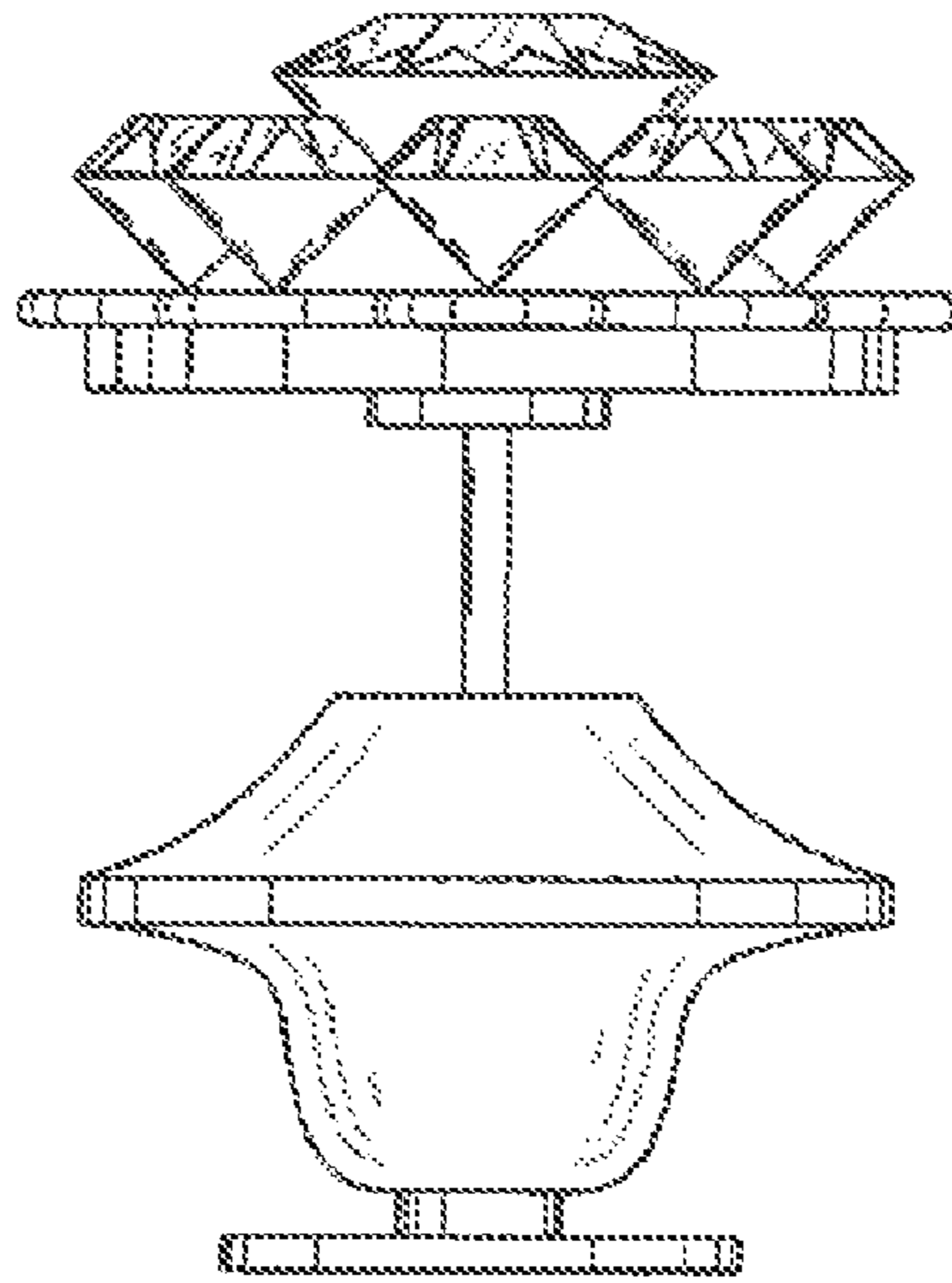


FIG. 7

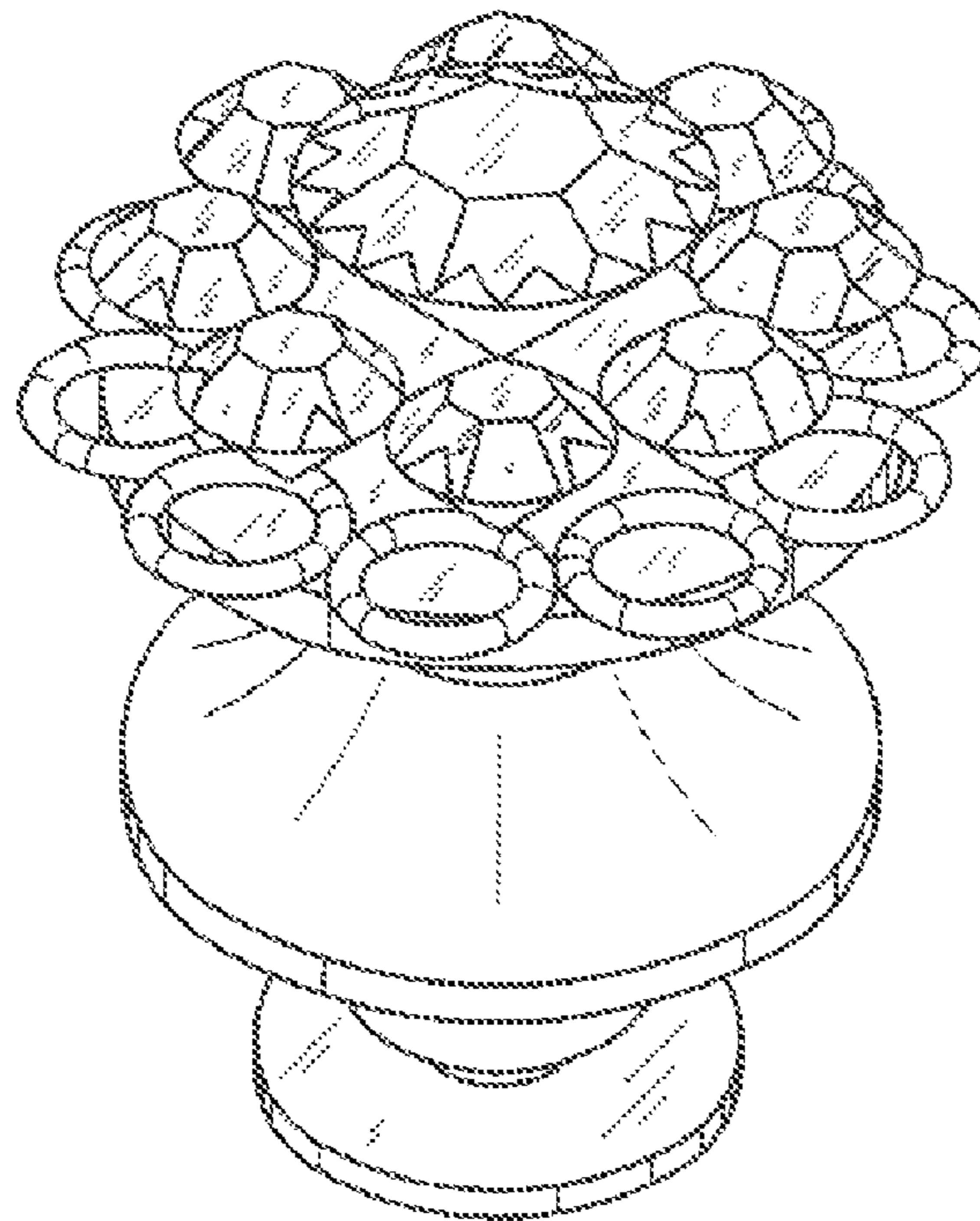


FIG. 8