



US00D622169S

(12) **United States Design Patent**
Lenz et al.

(10) **Patent No.:** **US D622,169 S**

(45) **Date of Patent:** **** Aug. 24, 2010**

(54) **NAVIGATION DEVICE**

(75) Inventors: **Derrick D. Lenz**, Olathe, KS (US);
Warren R. Stevens, Olathe, KS (US);
Juhee Lee, Olathe, KS (US); **Kwan Woo Lee**, Overland Park, KS (US); **Jeff D. Taylor**, Wellsville, KS (US); **Aaron J. Lindh**, Overland Park, KS (US)

(73) Assignee: **Garmin Ltd.** (KY)

(**) Term: **14 Years**

(21) Appl. No.: **29/355,054**

(22) Filed: **Feb. 2, 2010**

Related U.S. Application Data

(63) Continuation of application No. 29/332,865, filed on Feb. 26, 2009, now Pat. No. Des. 611,363.

(51) **LOC (9) Cl.** **10-04**

(52) **U.S. Cl.** **D10/65**

(58) **Field of Classification Search** D10/65;
D14/341, 344, 507, 138 R, 138 AA, 203.3,
D14/203.4, 203.5, 203.7; 342/386, 351,
342/419, 457, 357.06-357.13; 343/702;
345/87, 104, 133, 156, 168, 173, 901-905;
348/180, 184, 315, 739; 364/444, 499; 701/206-209,
701/213, 214

See application file for complete search history.

(56) **References Cited**

U.S. PATENT DOCUMENTS

D541,186 S 4/2007 Lammers-Meis et al. D10/65
D543,875 S 6/2007 Skelton et al. D10/65
D543,876 S * 6/2007 Kalis et al. D10/65

D544,381 S * 6/2007 Lammers-Meis et al. D10/65
D549,603 S 8/2007 Lammers-Meis et al. D10/74
D563,804 S * 3/2008 Kimura et al. D10/65
D565,978 S 4/2008 Stevens et al. D10/65
D566,588 S * 4/2008 Stevens et al. D10/65
D571,234 S 6/2008 Reeson et al. D10/65

(Continued)

OTHER PUBLICATIONS

U.S. Appl. No. 29/332,867, filed Feb. 26, 2009.

(Continued)

Primary Examiner—Antoine D Davis

(74) *Attorney, Agent, or Firm*—Samuel M. Korte

(57) **CLAIM**

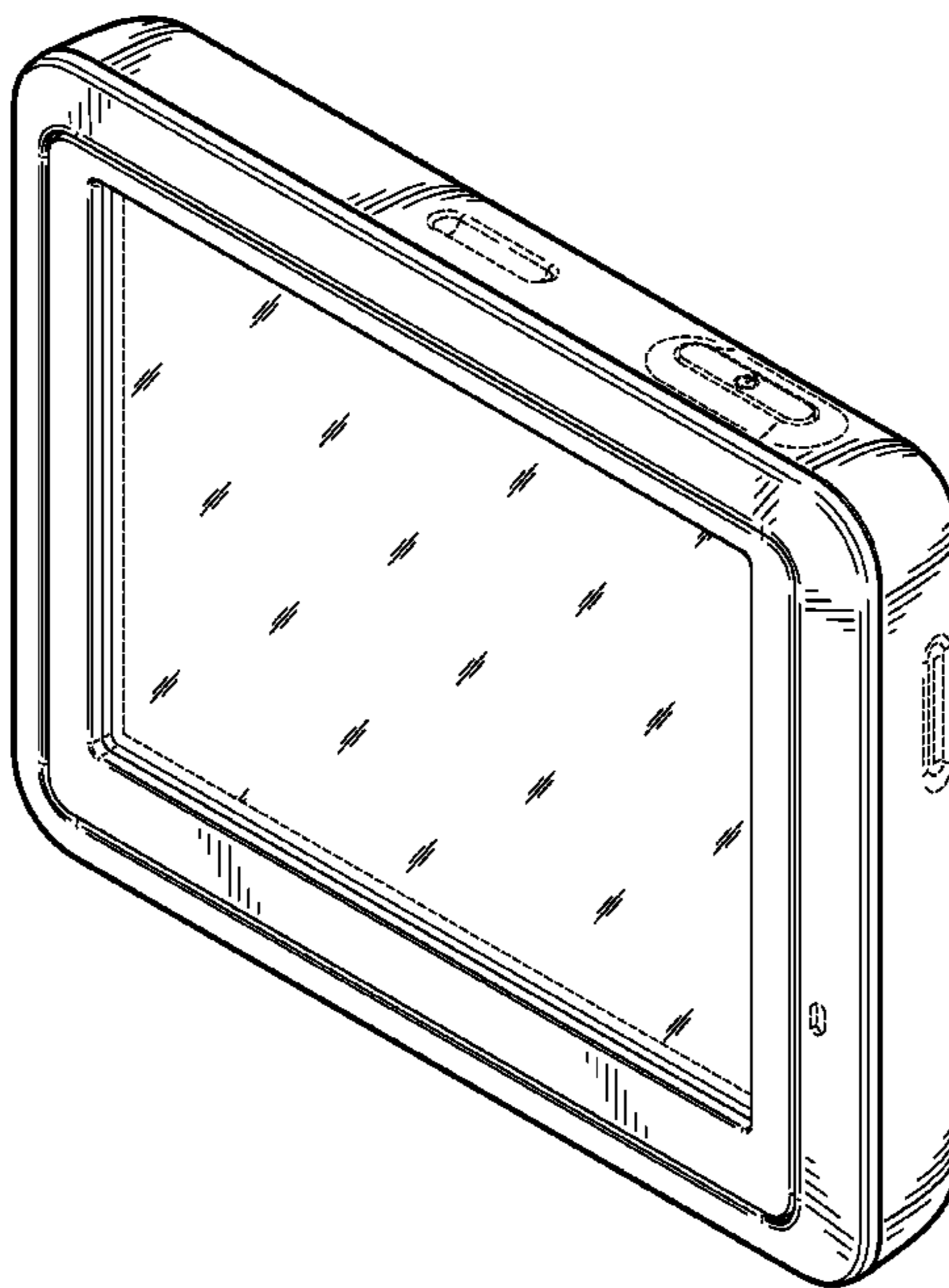
The ornamental design for a navigation device, as shown and described.

DESCRIPTION

FIG. 1 is a front perspective view of a navigation device according to embodiments of the present invention;
FIG. 2 is a rear perspective view of the navigation device;
FIG. 3 is a top view of the navigation device;
FIG. 4 is a front view of the navigation device;
FIG. 5 is a rear view of the navigation device;
FIG. 6 is a bottom view of the navigation device;
FIG. 7 is a left side view of the navigation device; and,
FIG. 8 is a right side view of the navigation device.

Portions of FIGS. 1 through 8 are shown in dashed lines for illustrative purposes only and form no part of the claimed design.

1 Claim, 5 Drawing Sheets



US D622,169 S

Page 2

U.S. PATENT DOCUMENTS

D571,235 S	6/2008	Stevens et al.	D10/65	D585,778 S *	2/2009	Weinschenk	D10/65
D573,044 S *	7/2008	Kalis et al.	D10/65	D592,084 S	5/2009	Stevens et al.	D10/65
D574,271 S *	8/2008	Stevens et al.	D10/65	7,538,723 B2 *	5/2009	Davis et al.	342/357.06
D574,272 S	8/2008	Stevens et al.	D10/65	D595,598 S *	7/2009	Stevens et al.	D10/65
D577,298 S	9/2008	Reeson et al.	D10/65					
D579,801 S *	11/2008	Tan	D10/65					
D580,803 S *	11/2008	Whittaker	D10/65					

OTHER PUBLICATIONS

U.S. Appl. No. 29/355,056, filed Feb. 2, 2010.

* cited by examiner

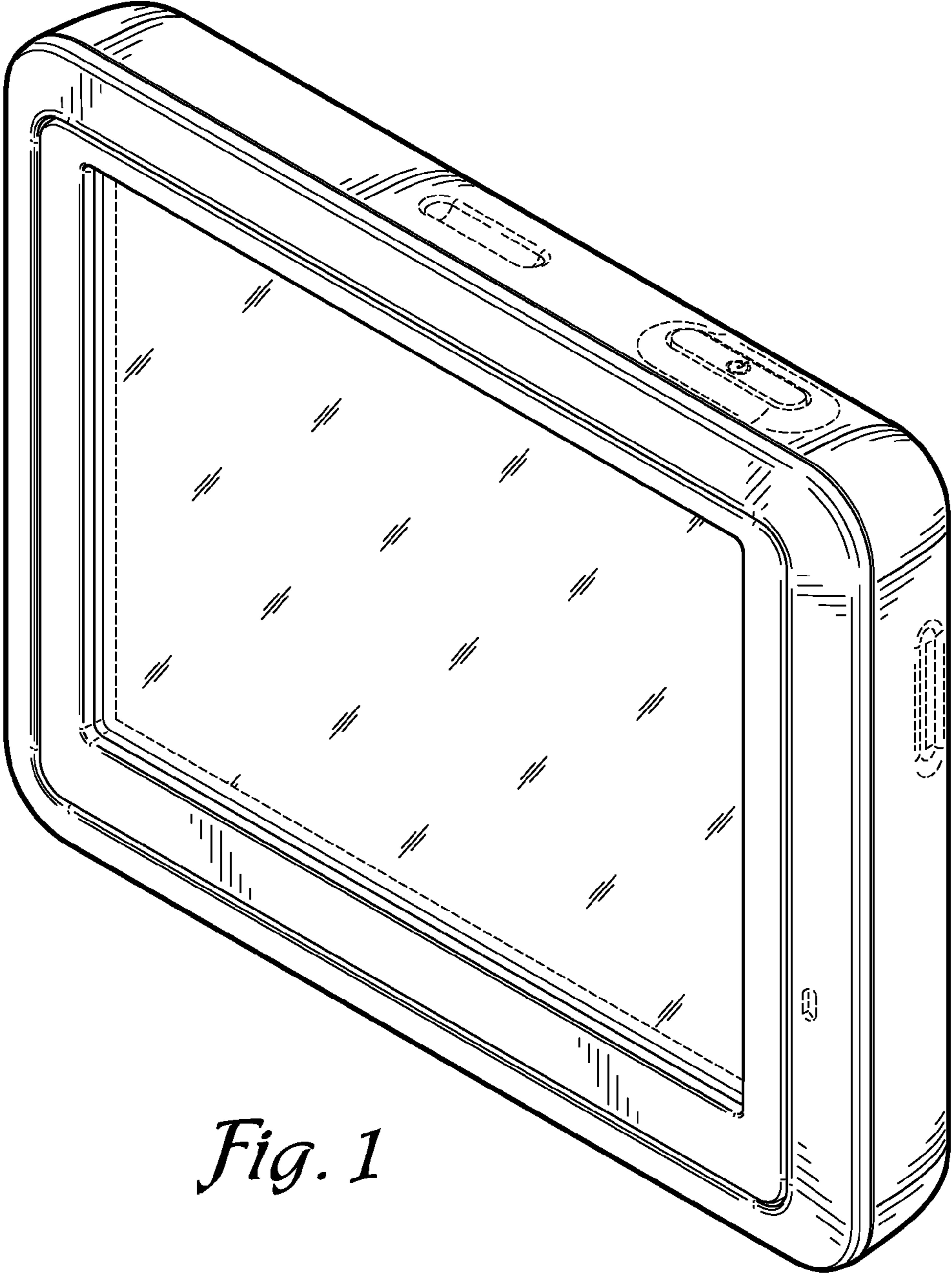


Fig. 1

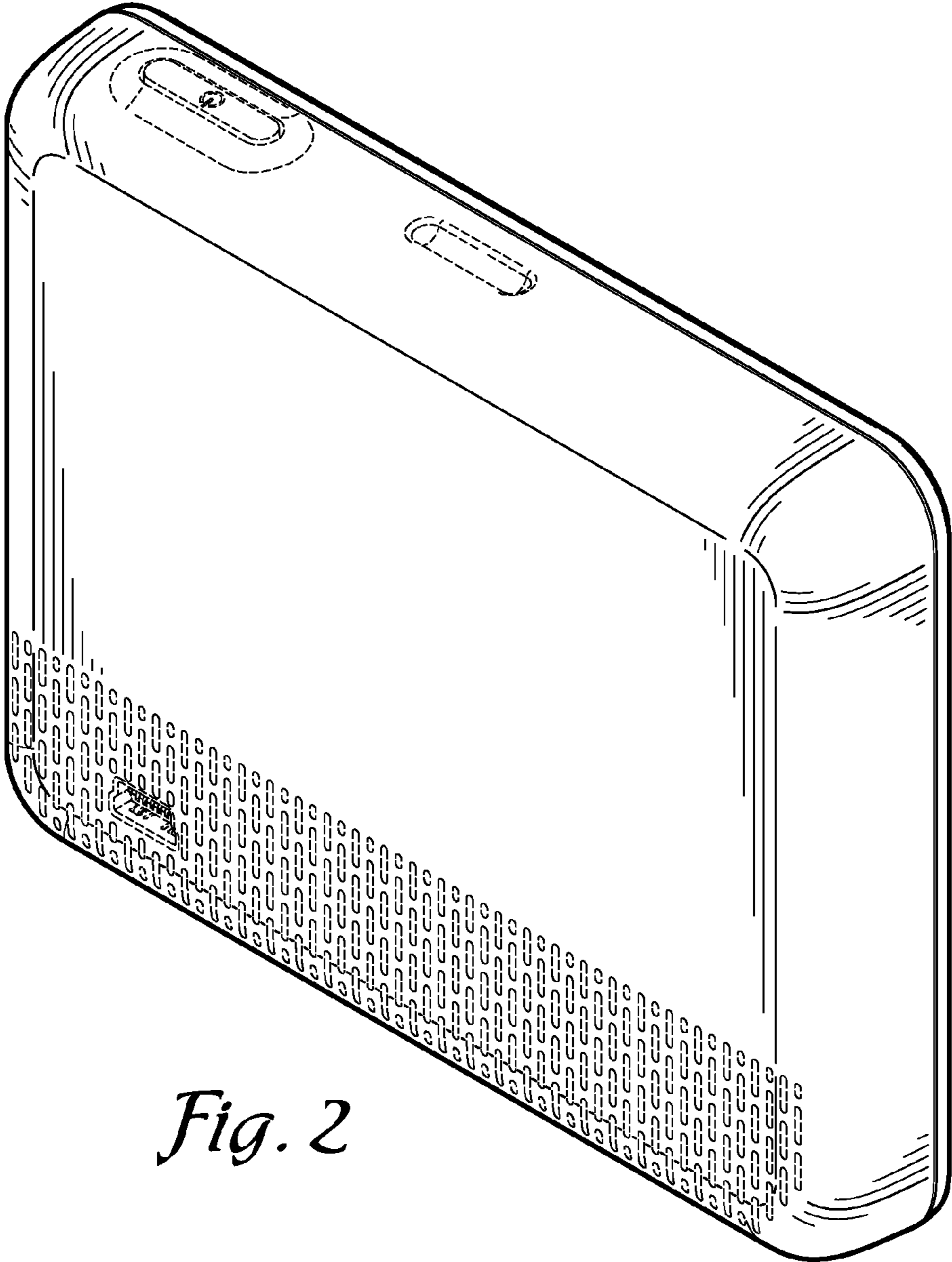


Fig. 2

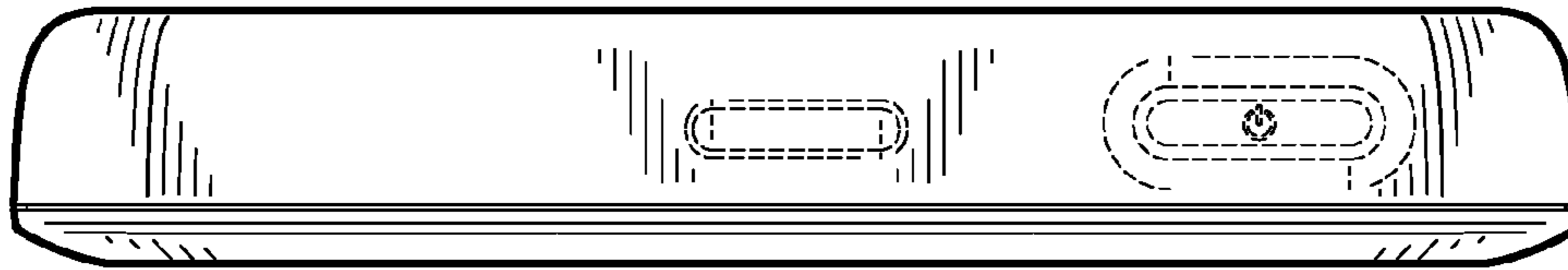


Fig. 3

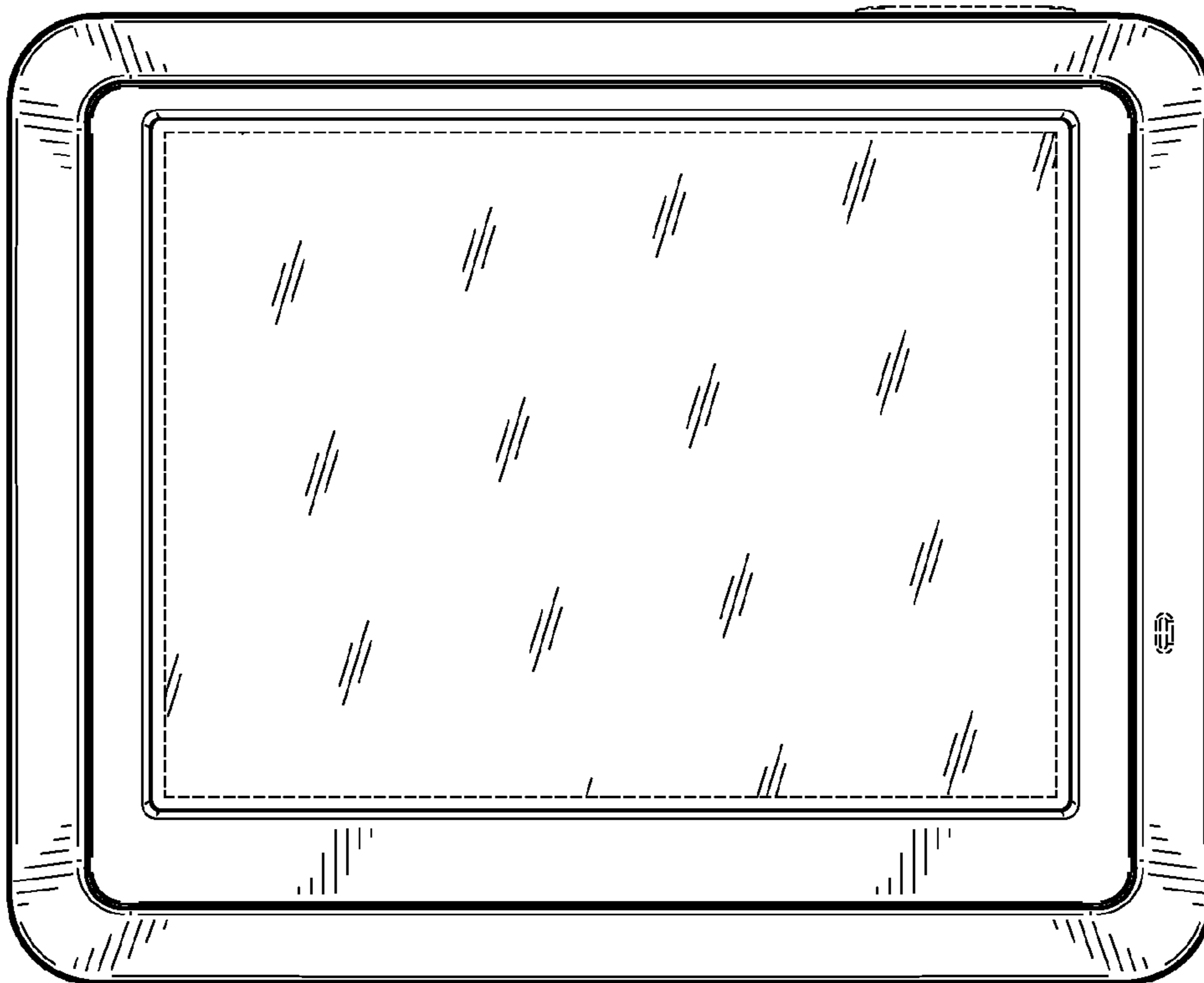


Fig. 4

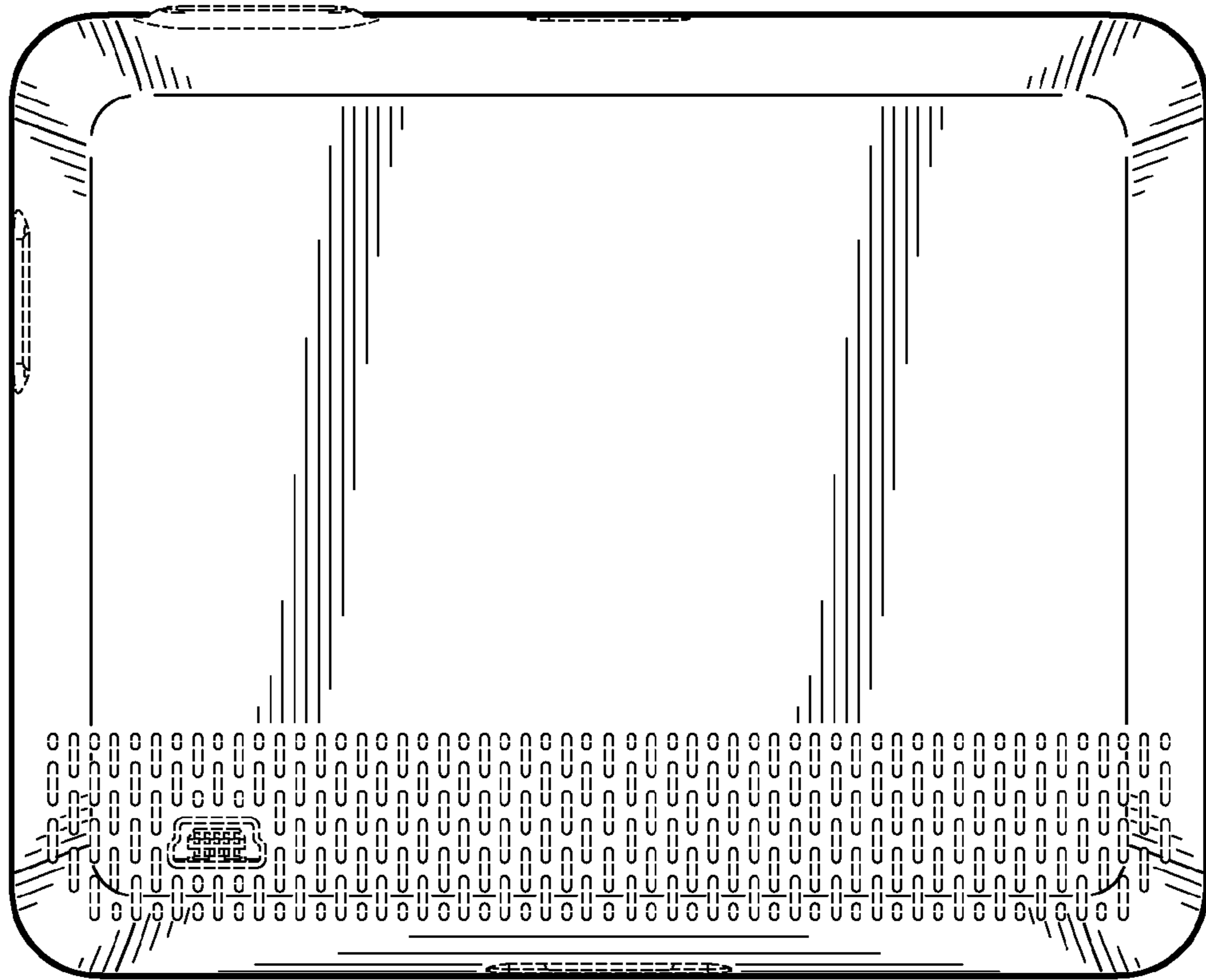


Fig. 5

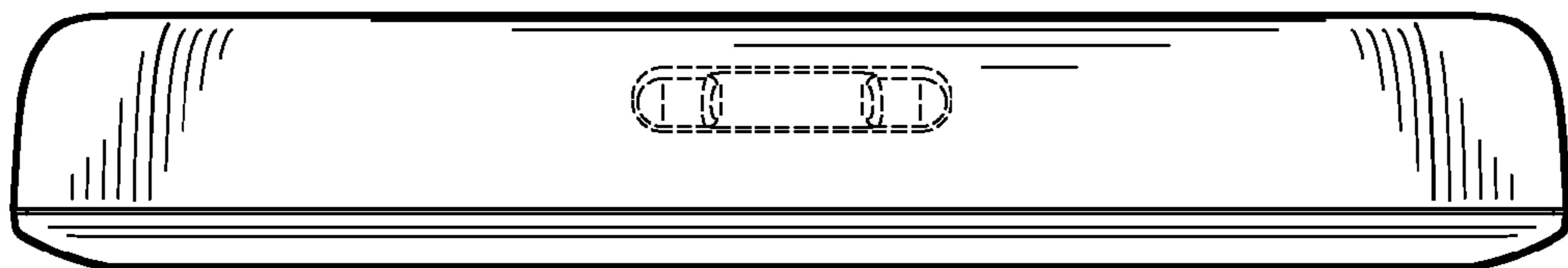


Fig. 6

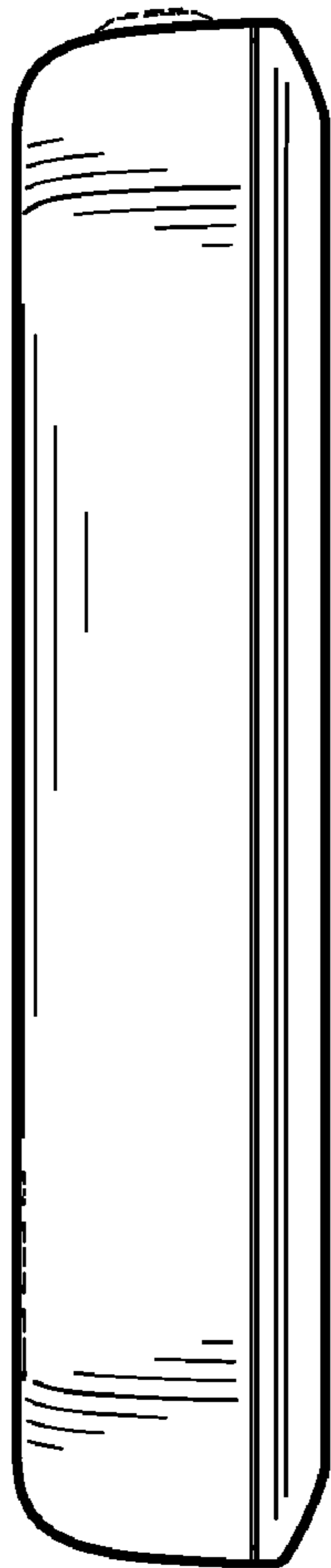


Fig. 7

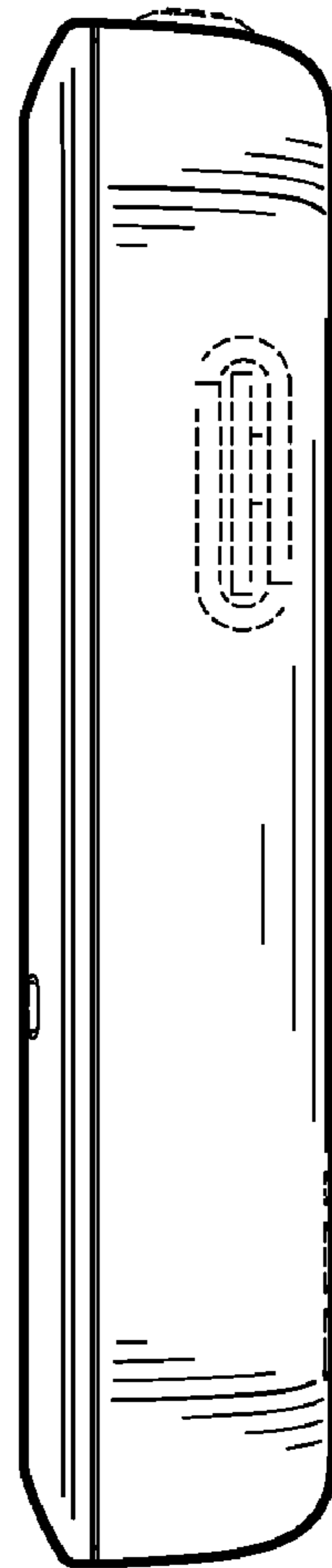


Fig. 8