

US00D622167S

(12) **United States Design Patent**  
**Jorst et al.**

(10) **Patent No.:** **US D622,167 S**

(45) **Date of Patent:** **\*\* Aug. 24, 2010**

(54) **WATCH**

(76) Inventors: **Charlotte Kjolbe Jorst**, 640 Maestro Dr., Suite 100, Reno, NV (US) 89519;  
**Henrik Jorst**, 640 Maestro Dr., Suite 100, Reno, NV (US) 89511

(\*\*) Term: **14 Years**

(21) Appl. No.: **29/316,707**

(22) Filed: **Oct. 26, 2009**

(51) **LOC (9) Cl.** ..... **10-02**

(52) **U.S. Cl.** ..... **D10/39**

(58) **Field of Classification Search** ..... D10/30-39;  
368/276, 281, 282, 285

See application file for complete search history.

(56) **References Cited**

**U.S. PATENT DOCUMENTS**

2,361,563	A *	10/1944	Pellaton	.....	368/80
2,385,234	A *	9/1945	Schmitz	.....	368/288
D178,770	S *	9/1956	Doerwald	.....	D10/39
D178,771	S *	9/1956	Doerwald	.....	D10/39
D186,180	S *	9/1959	Diamond	.....	D10/39
3,427,800	A *	2/1969	Blum	.....	368/223
D353,108	S *	12/1994	Rabassa	.....	D10/32
5,467,325	A *	11/1995	Juillerat	.....	368/276
D365,526	S *	12/1995	Gardner	.....	D10/39
D438,472	S *	3/2001	Fichter	.....	D10/39

D508,416	S *	8/2005	Tang	.....	D10/30
D539,175	S *	3/2007	Bolt et al.	.....	D10/39
D551,095	S *	9/2007	Monachon	.....	D10/32
D554,003	S *	10/2007	Journe	.....	D10/31
D573,486	S *	7/2008	Sanz	.....	D10/38
D577,613	S *	9/2008	Rochat	.....	D10/38
D590,275	S *	4/2009	Monachon	.....	D10/32
D590,276	S *	4/2009	Miloradovic	.....	D10/32
D609,120	S *	2/2010	Lalo	.....	D10/39
D613,621	S *	4/2010	Jorst et al.	.....	D10/39

\* cited by examiner

*Primary Examiner*—Lucy Lieberman

(57) **CLAIM**

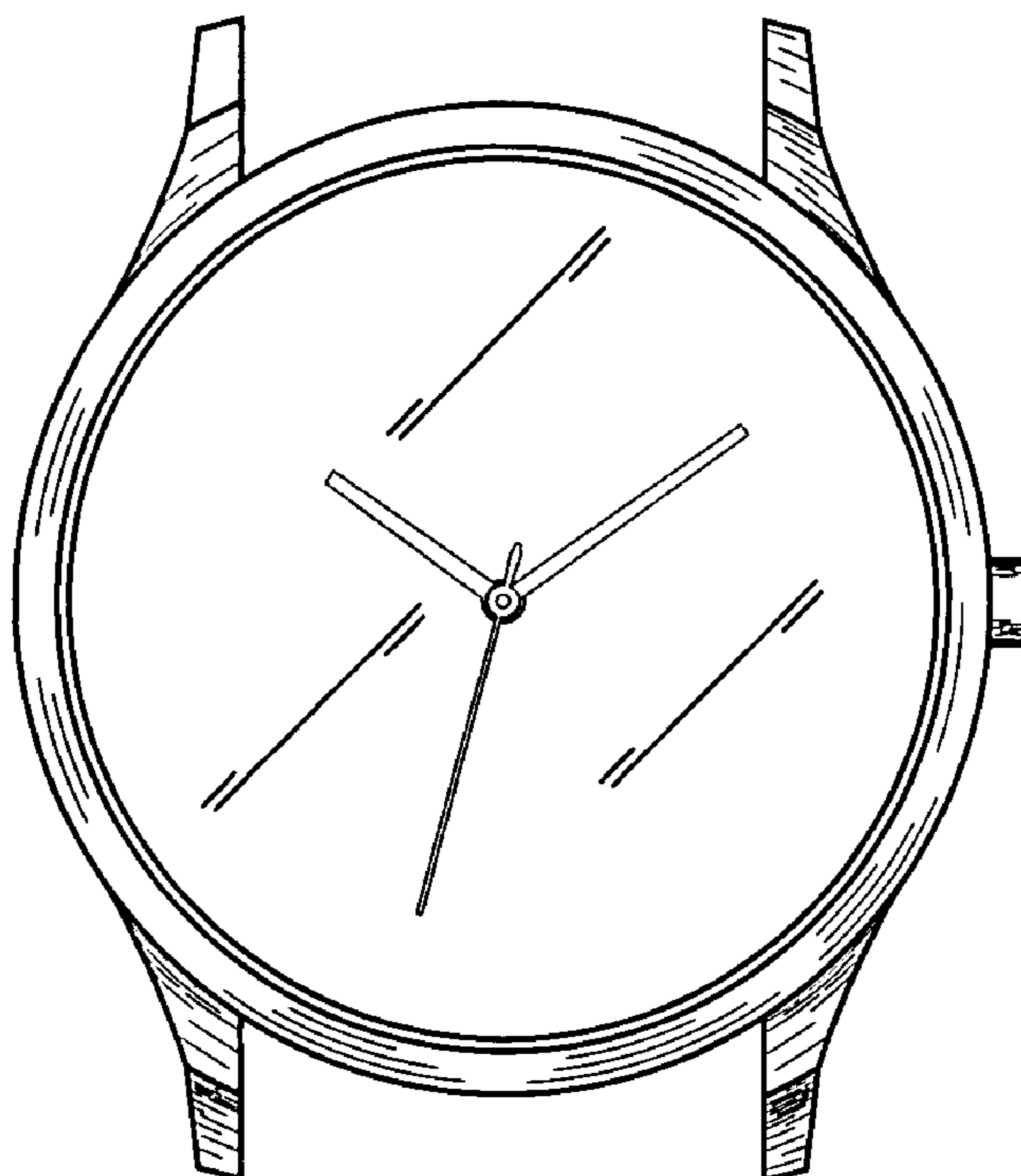
The ornamental design for a watch, as shown.

**DESCRIPTION**

FIG. 1 is a front elevation of a watch showing our new design;  
FIG. 2 is a right side elevation thereof;  
FIG. 3 is a left side elevation thereof;  
FIG. 4 is a rear elevation thereof;  
FIG. 5 is a front and right side perspective view thereof; and,  
FIG. 6 is an end view thereof.

The broken lines in the drawings are for illustrative purposes only and do not form part of the claimed design.

**1 Claim, 2 Drawing Sheets**



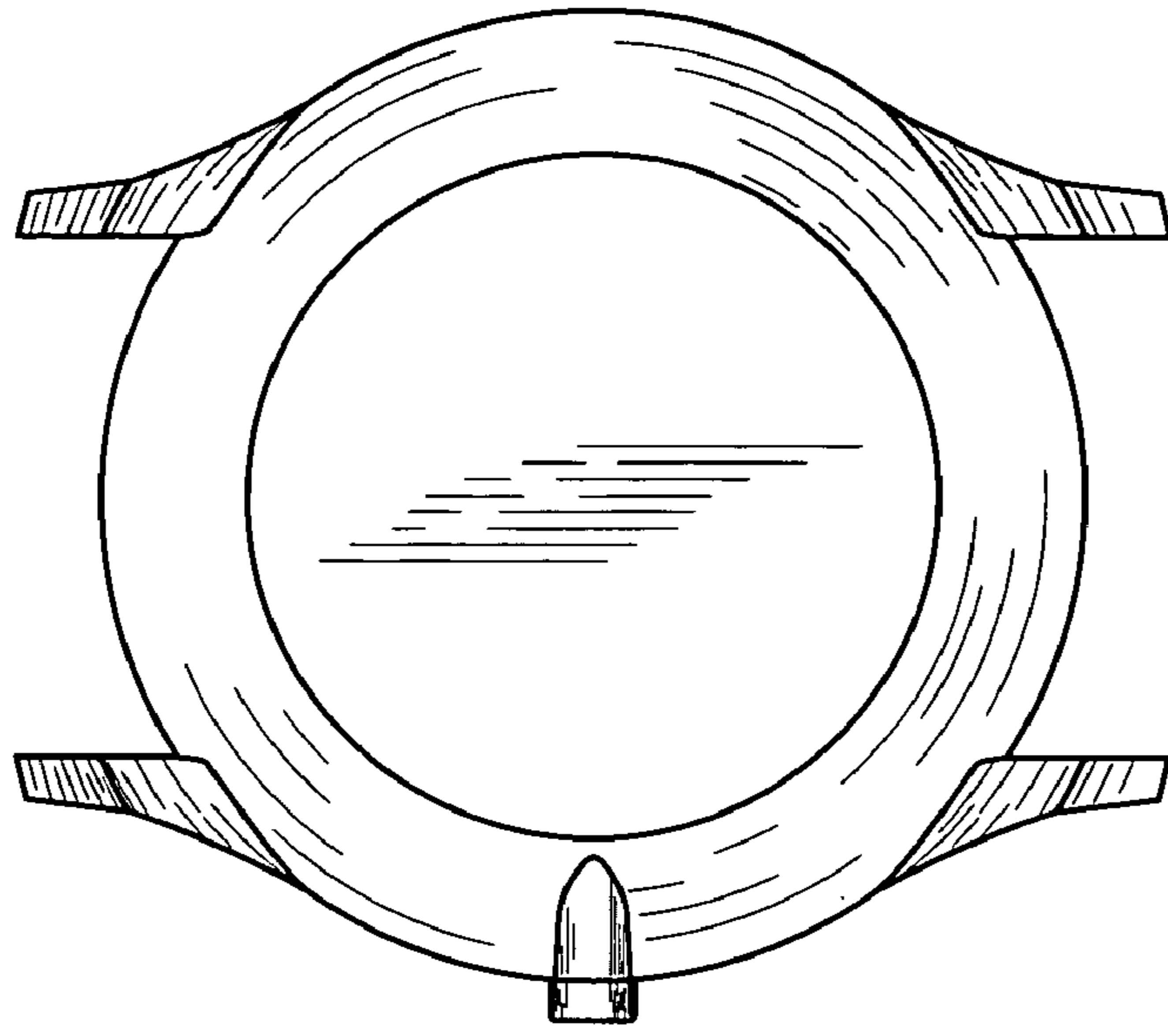


FIG 4

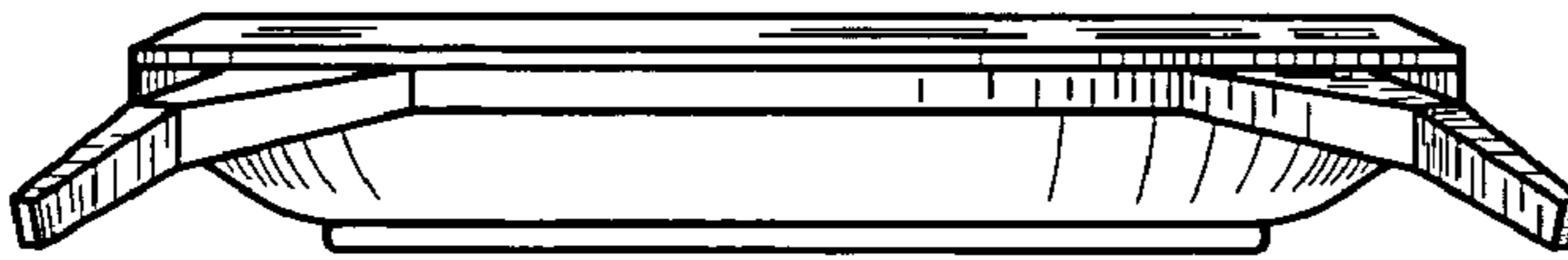


FIG 3



FIG 2

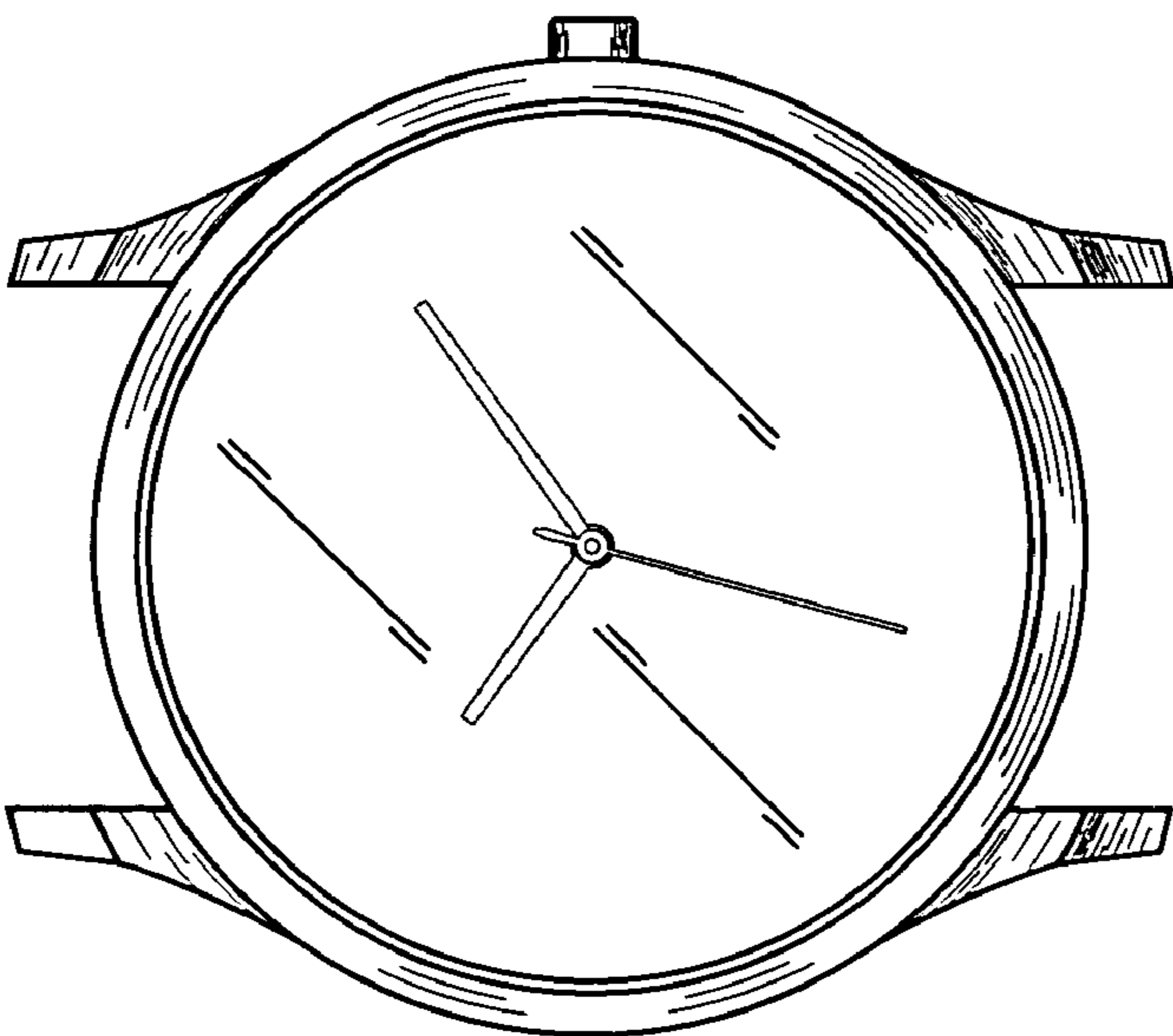


FIG 1

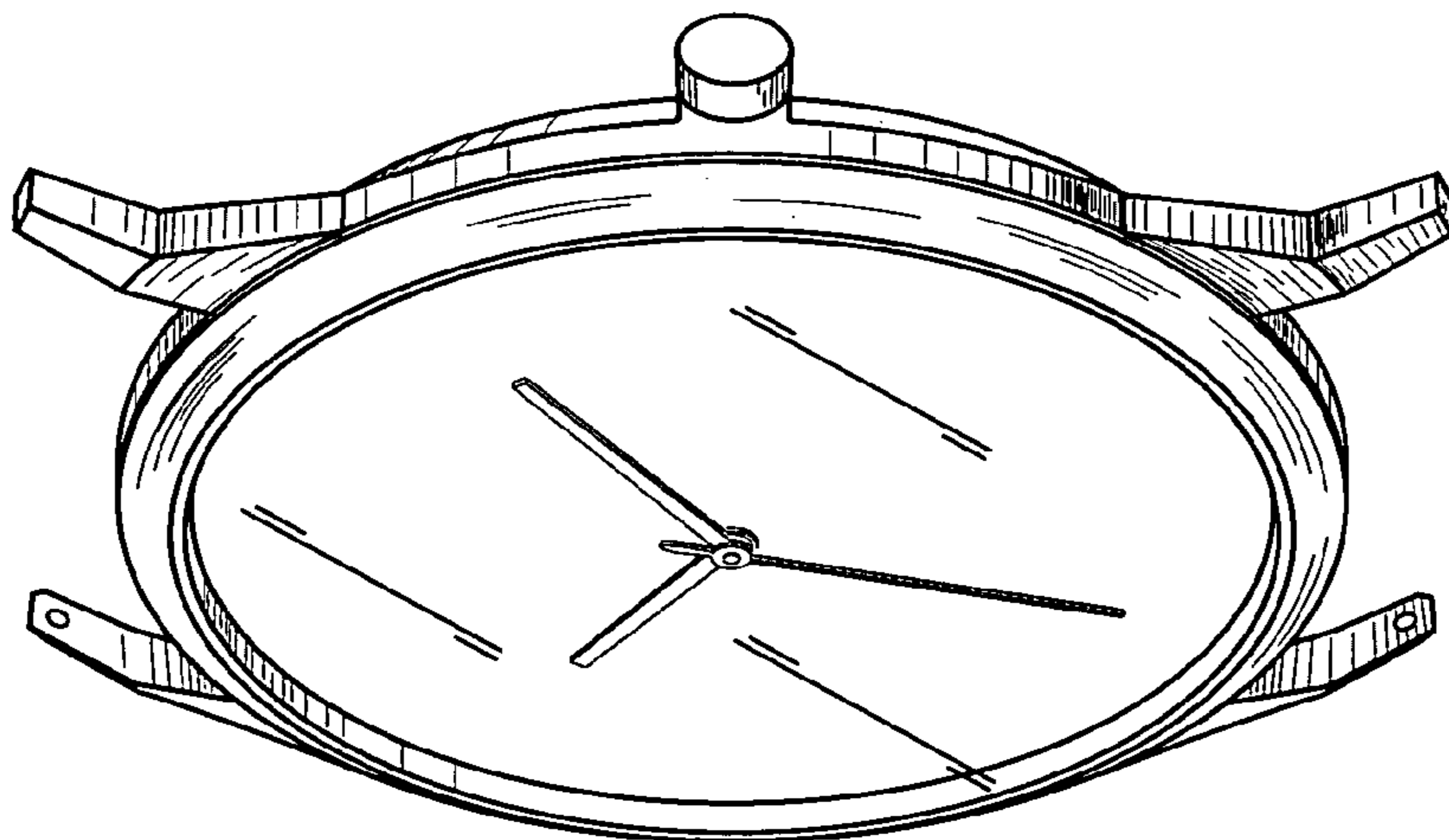


FIG 5

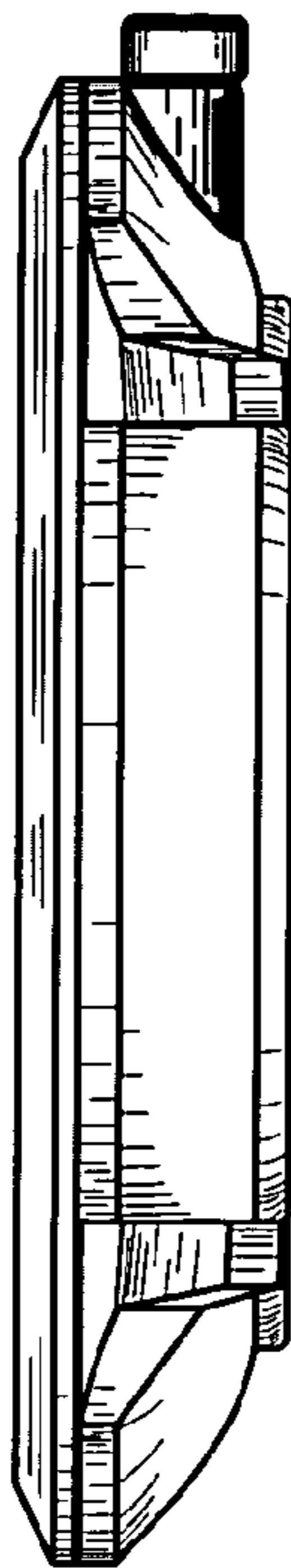


FIG 6