



US00D622165S

(12) **United States Design Patent**
Schurch

(10) **Patent No.:** **US D622,165 S**

(45) **Date of Patent:** **** Aug. 24, 2010**

(54) **CHRONOGRAPH CASE**

(75) Inventor: **Francoise Schurch**, Chaumont (CH)

(73) Assignee: **CYMA S.A.**, Le Locle (CH)

(**) Term: **14 Years**

(21) Appl. No.: **29/343,620**

(22) Filed: **Sep. 16, 2009**

(51) **LOC (9) Cl.** **10-02**

(52) **U.S. Cl.** **D10/38**

(58) **Field of Classification Search** D10/30-39;
368/288, 276, 277, 281, 282, 285

See application file for complete search history.

(56) **References Cited**

U.S. PATENT DOCUMENTS

D96,208	S	*	7/1935	Sunshine	D10/30
2,385,234	A	*	9/1945	Schmitz	368/288
2,559,238	A	*	7/1951	Wallin	368/282
D168,209	S	*	11/1952	Bulova	D10/36
D188,062	S	*	5/1960	Pretat	D10/38
D224,913	S	*	10/1972	Maroni	D10/32
3,952,499	A	*	4/1976	Reisman	368/276
4,034,552	A	*	7/1977	Davidson	368/280
D251,897	S	*	5/1979	Davidson	D10/39
D260,494	S	*	9/1981	Dinh Van	D10/39
D260,615	S	*	9/1981	Maroni	D10/32
4,506,992	A	*	3/1985	Bonnet	368/282
D310,034	S	*	8/1990	Braun et al.	D10/30
4,970,708	A	*	11/1990	Gagnebin et al.	368/300
D322,762	S	*	12/1991	Muller	D10/32
5,119,351	A	*	6/1992	Gogniat	368/282
5,373,484	A	*	12/1994	Rappo et al.	368/282
5,398,218	A	*	3/1995	Munnier et al.	368/282
D356,960	S	*	4/1995	Courteault	D10/39
D423,949	S	*	5/2000	Stoll	D10/32
D493,112	S	*	7/2004	Jørgensen	D10/32
D508,415	S	*	8/2005	Kojima et al.	D10/30
D510,037	S	*	9/2005	Modolo	D10/32

D537,741	S	*	3/2007	Gruosi-Scheufele	D10/39
D555,520	S	*	11/2007	Strasser	D10/39
D565,431	S	*	4/2008	Hatt	D10/38
D581,291	S	*	11/2008	Hegi	D10/38
D607,758	S	*	1/2010	Hegi	D10/39
D610,472	S	*	2/2010	Nashimoto	D10/32

* cited by examiner

Primary Examiner—Lucy Lieberman

(74) *Attorney, Agent, or Firm*—Collen IP; Donald J. Ranft

(57) **CLAIM**

The ornamental design for a chronograph case, as shown and described.

DESCRIPTION

FIG. 1 is a front view of my new, original and ornamental design for a chronograph case;

FIG. 2 is a rear view thereof;

FIG. 3 is a front view with bezel in closed position thereof;

FIG. 4 is a rear view with bezel in closed position thereof;

FIG. 5 is a top view thereof;

FIG. 6 is a bottom view thereof;

FIG. 7 is a top view with bezel in closed position thereof;

FIG. 8 is a bottom view with bezel in closed position thereof;

FIG. 9 is a right side view with bezel in closed position thereof;

FIG. 10 is a left side view with bezel in closed position thereof;

FIG. 11 is a right side view thereof;

FIG. 12 is a left side view thereof;

FIG. 13 is a top right perspective view thereof; and,

FIG. 14 is a top right perspective view with bezel in closed position thereof.

1 Claim, 8 Drawing Sheets

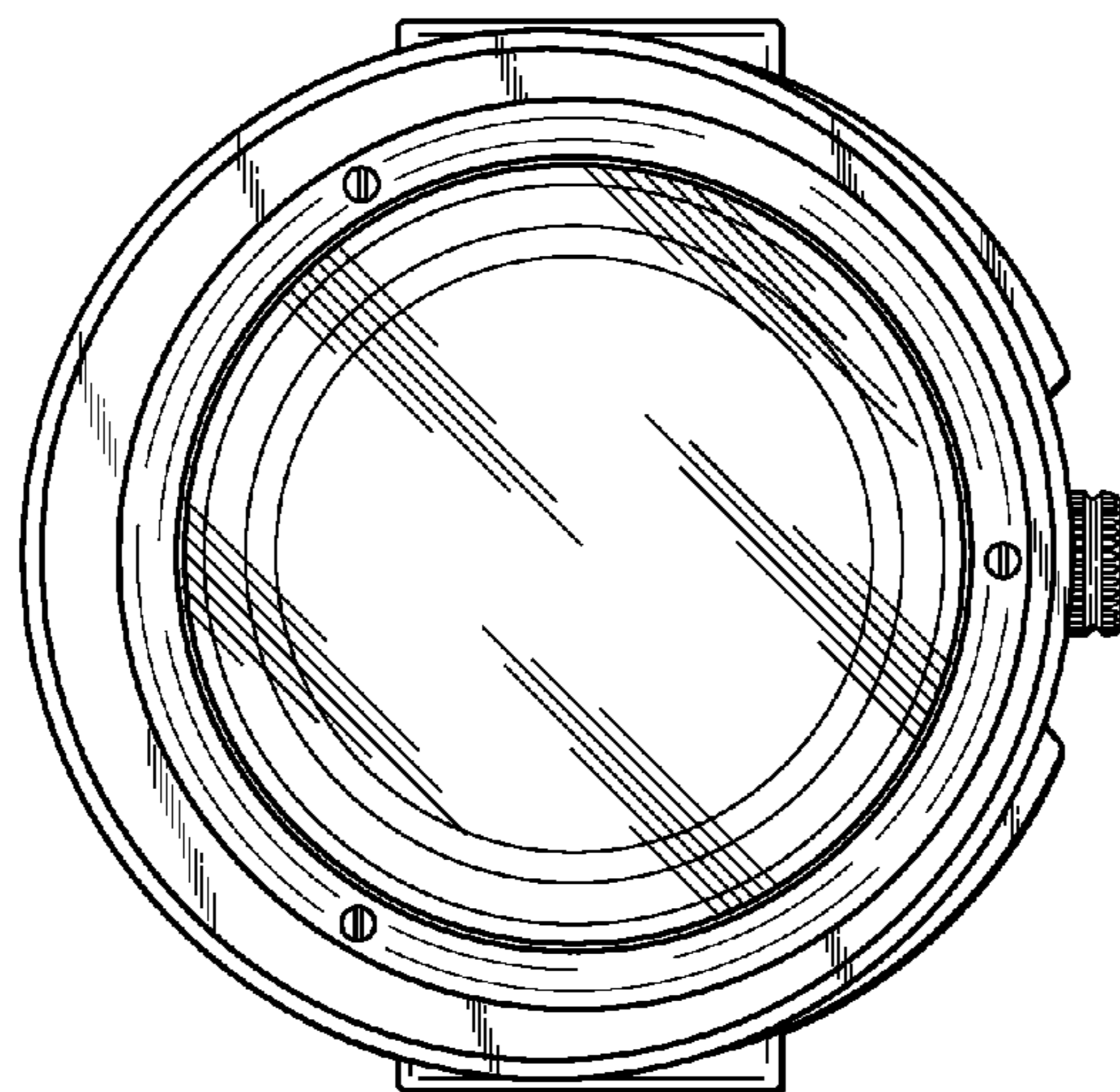


Fig. 1

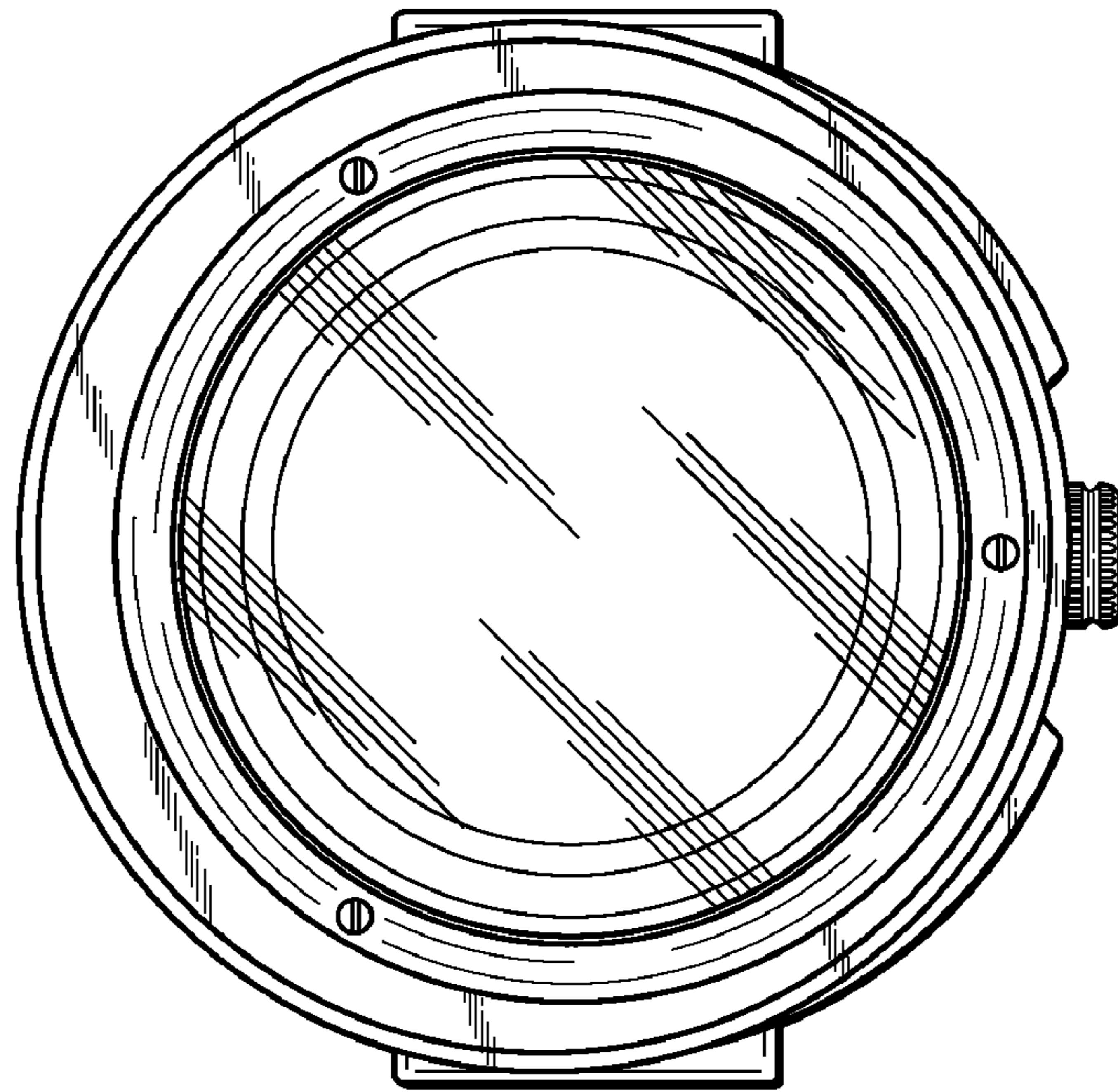


Fig. 2

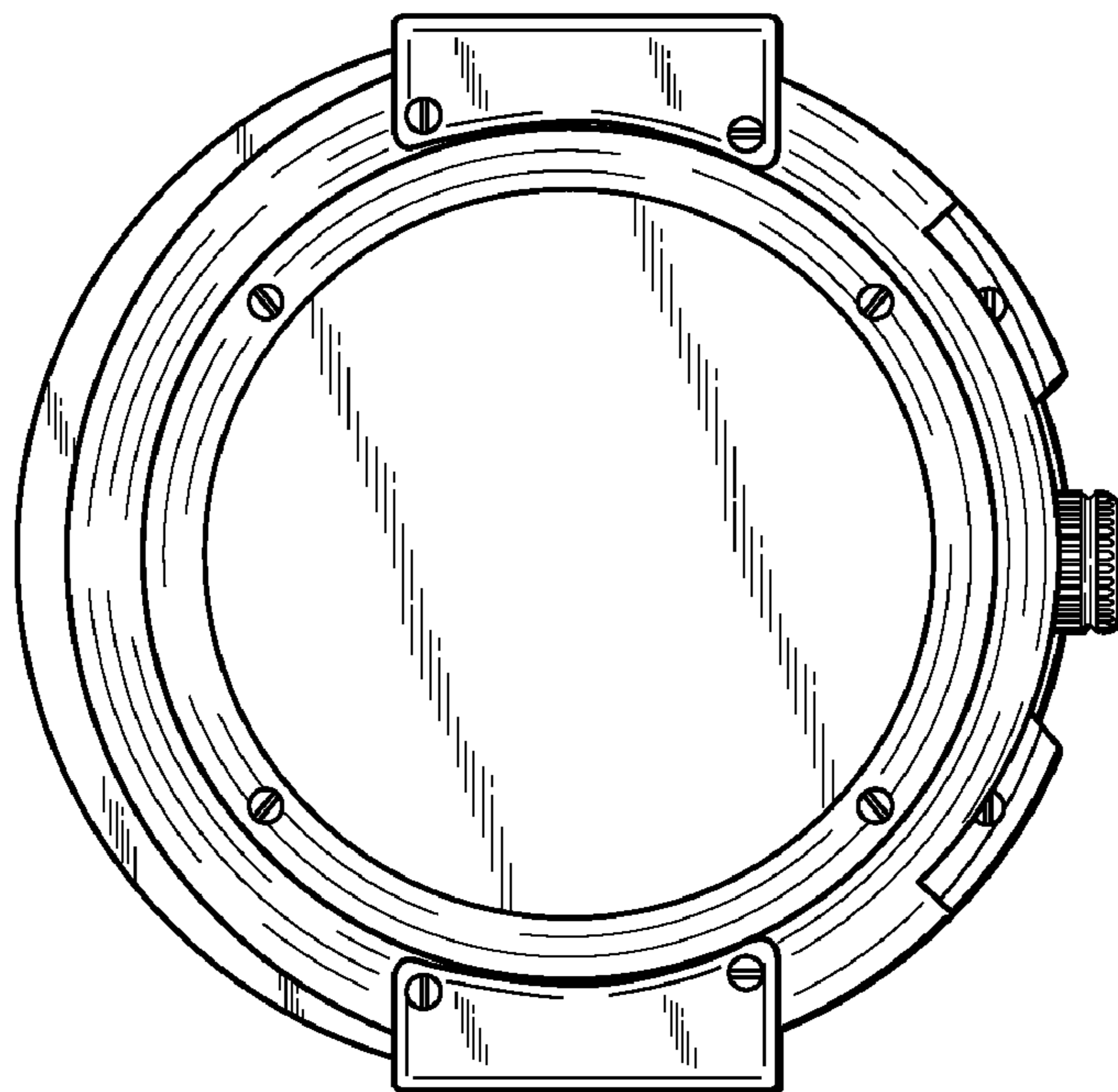


Fig. 3

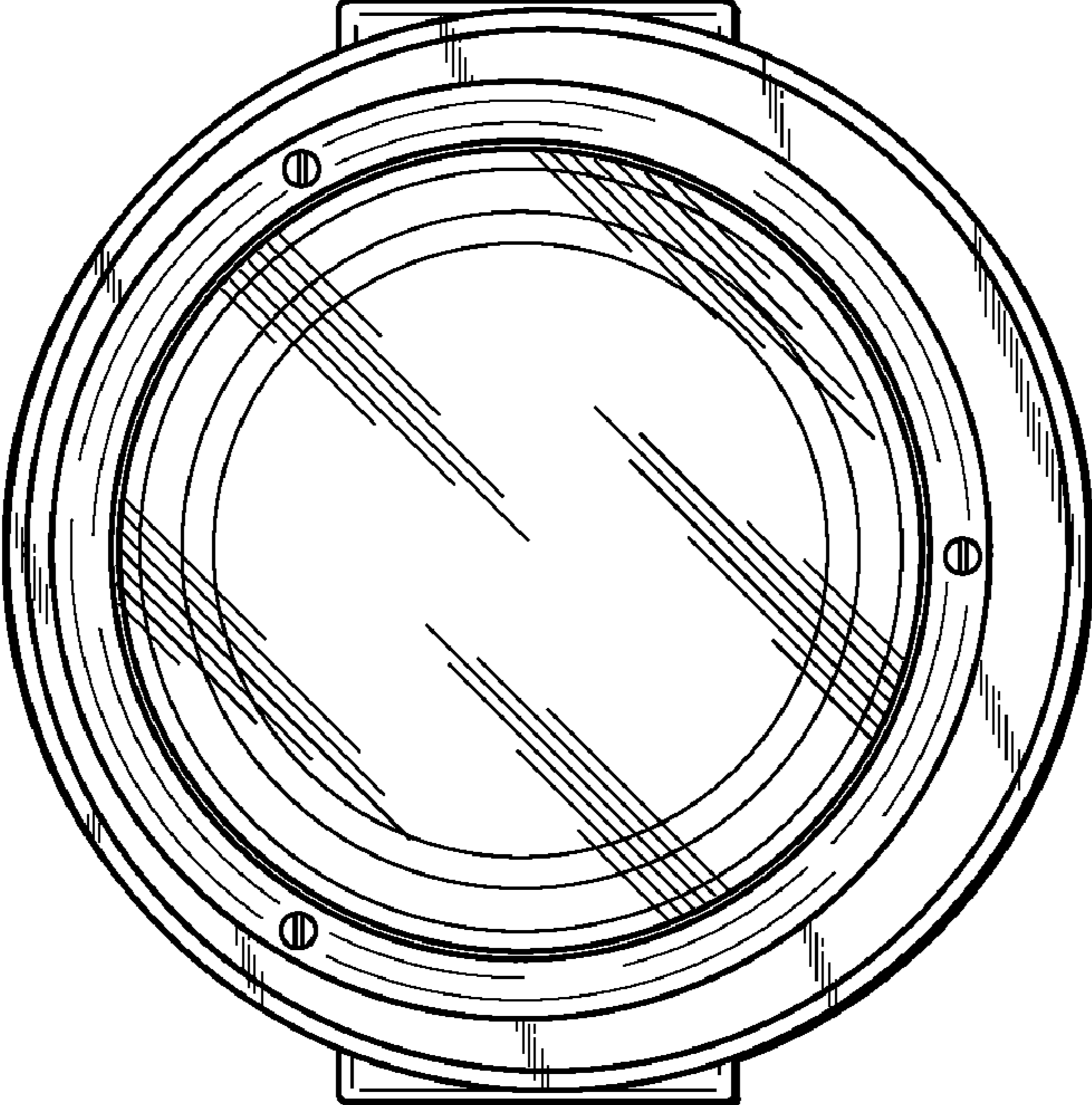


Fig. 4

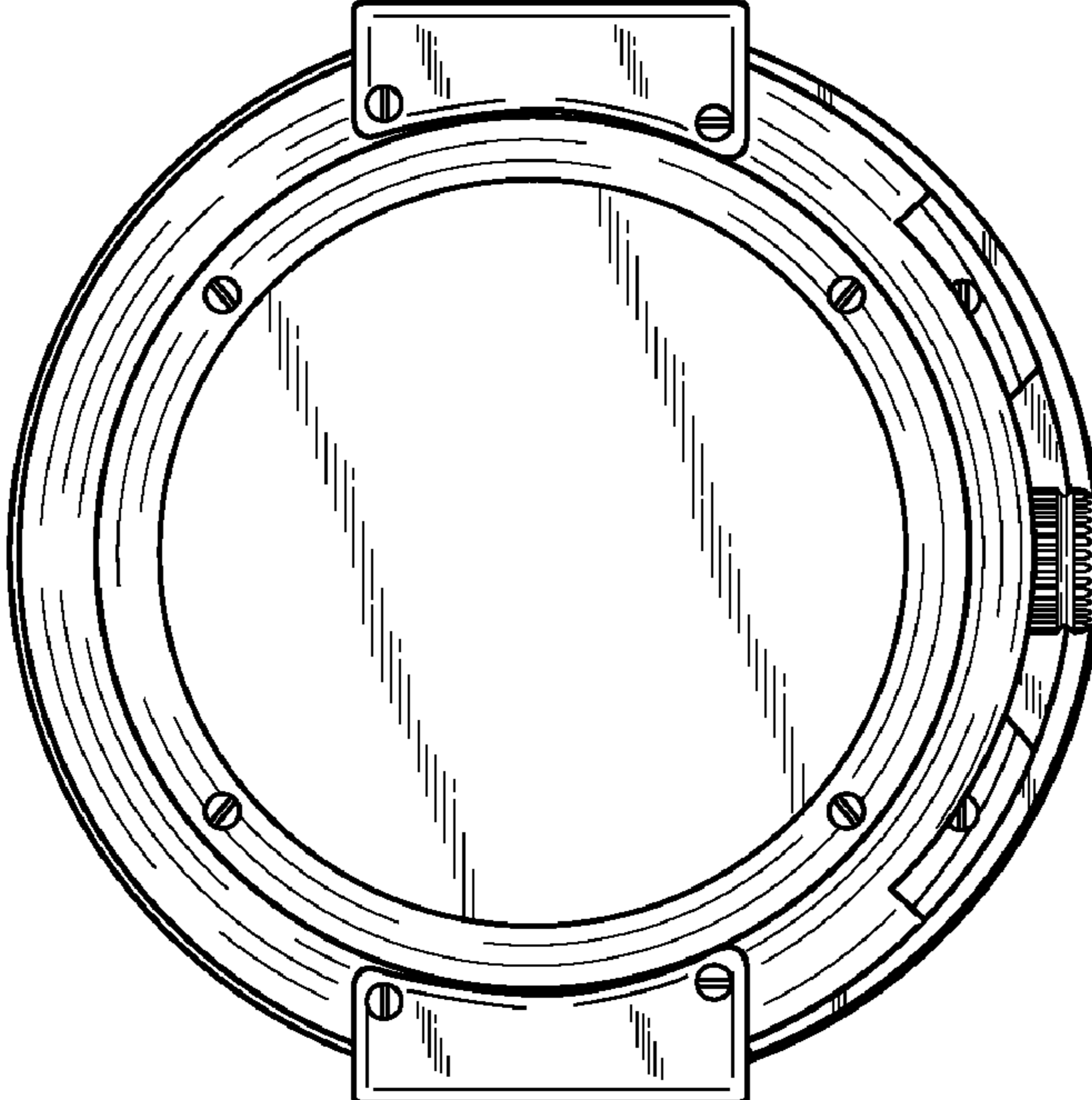


Fig. 5

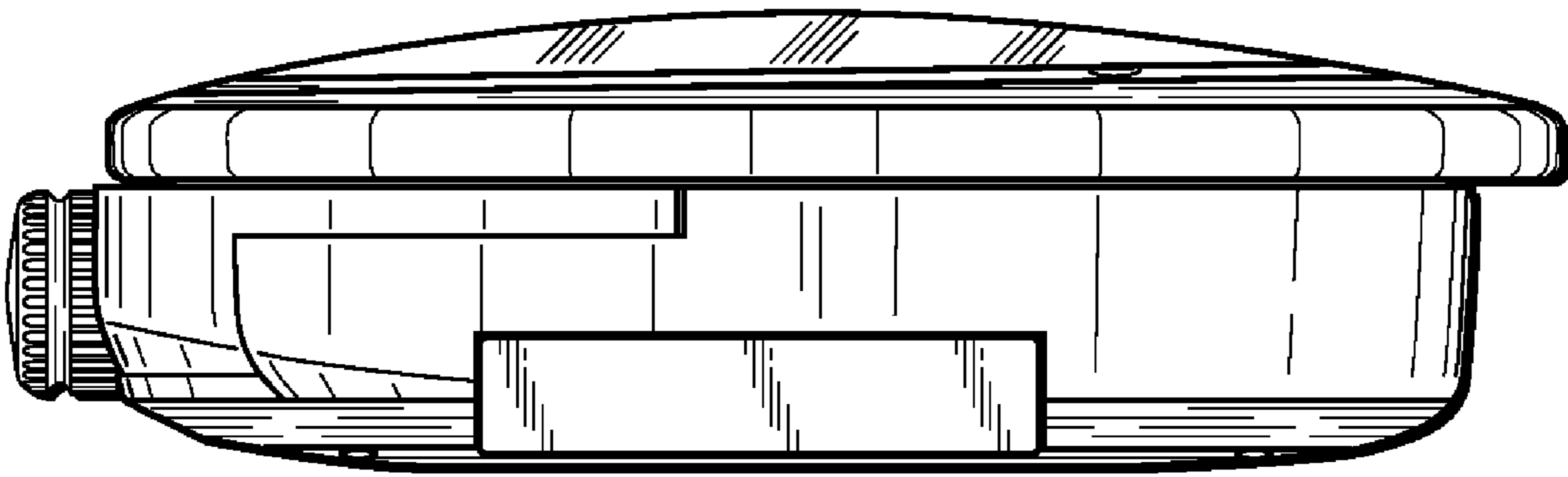


Fig. 6

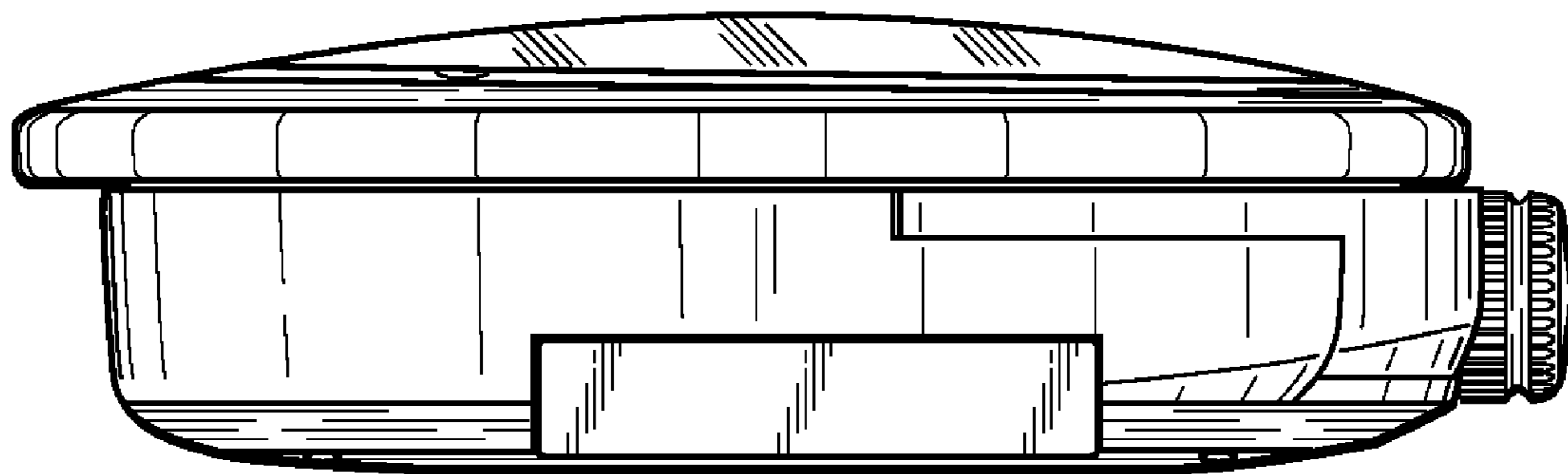


Fig. 7

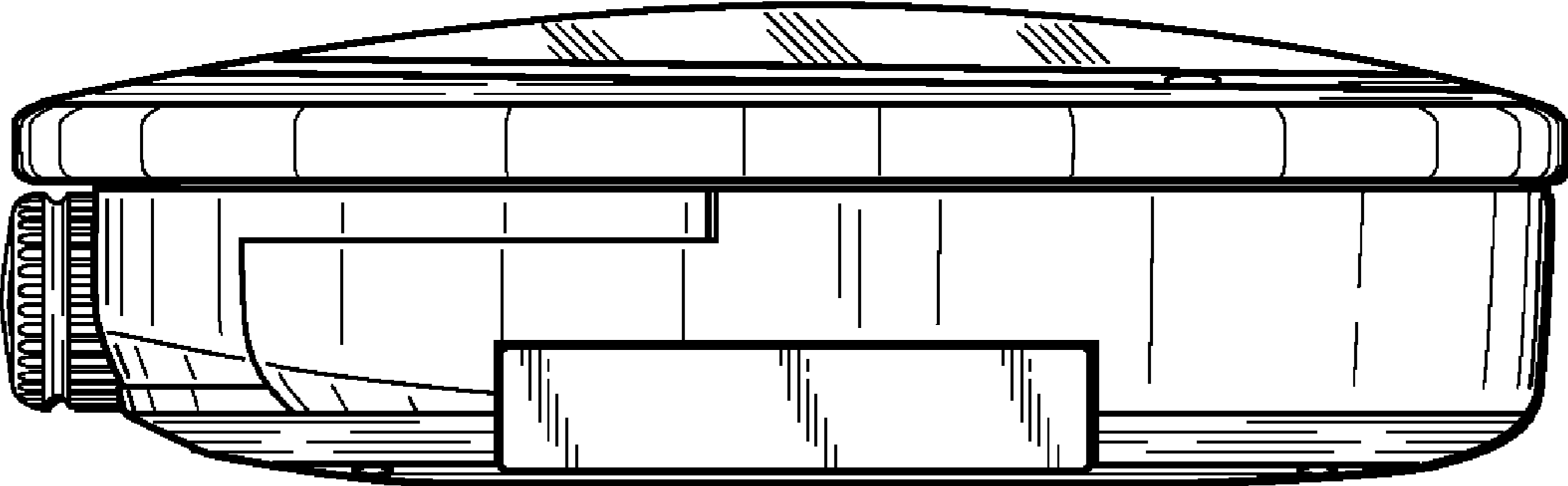


Fig. 8

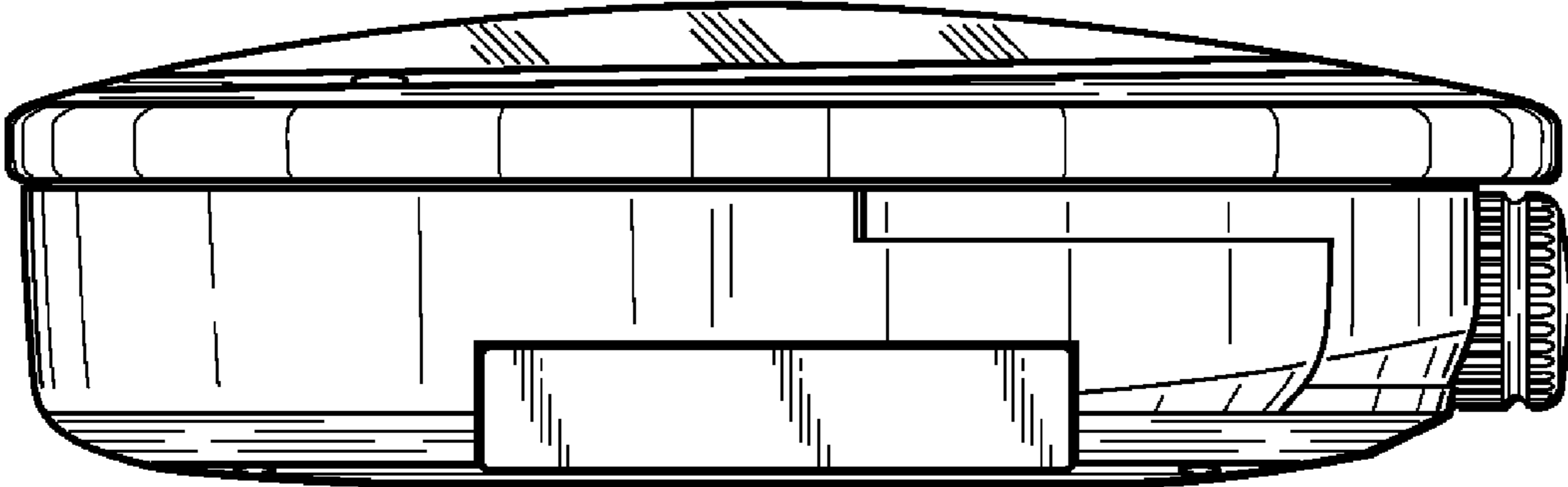


Fig. 9

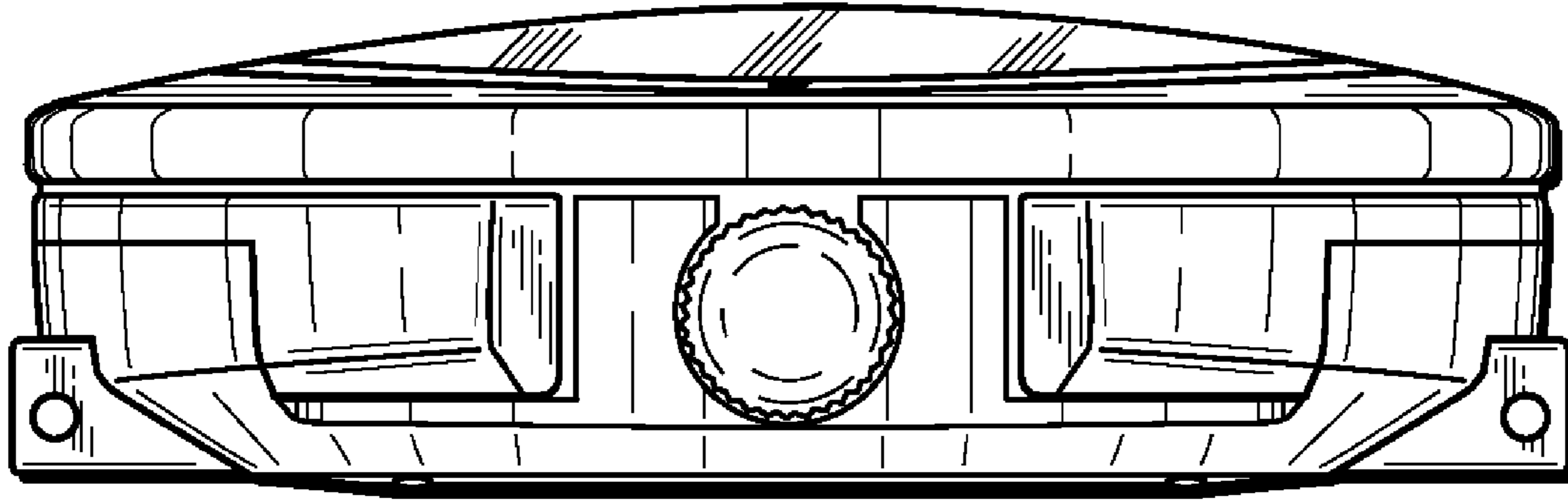


Fig. 10

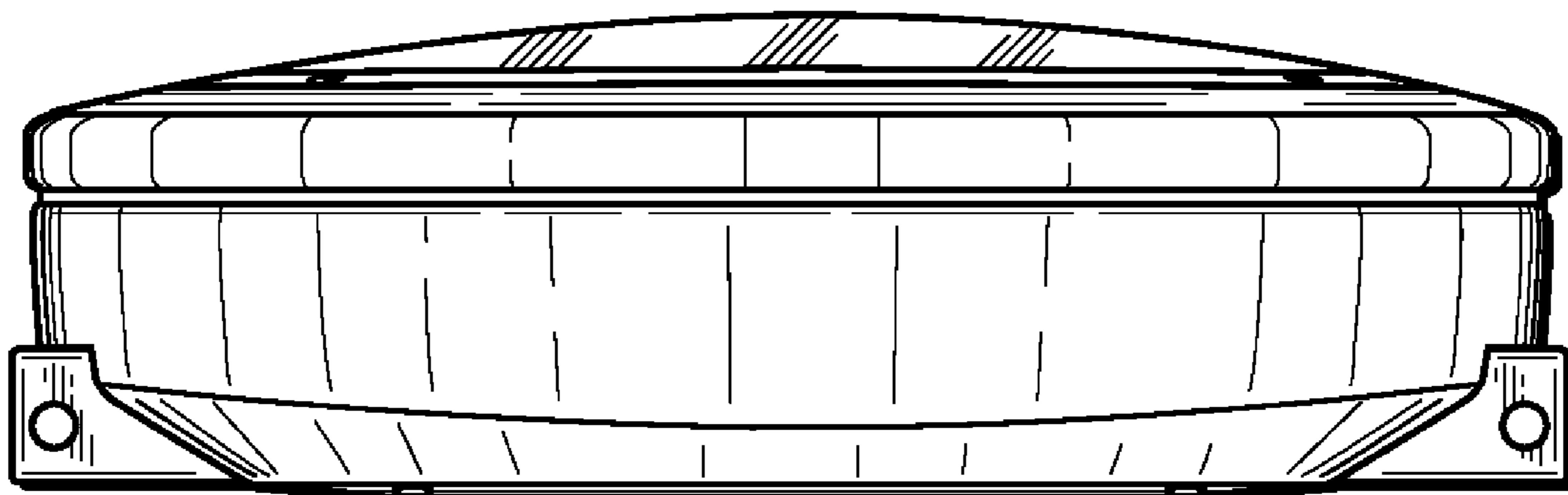


Fig. 11

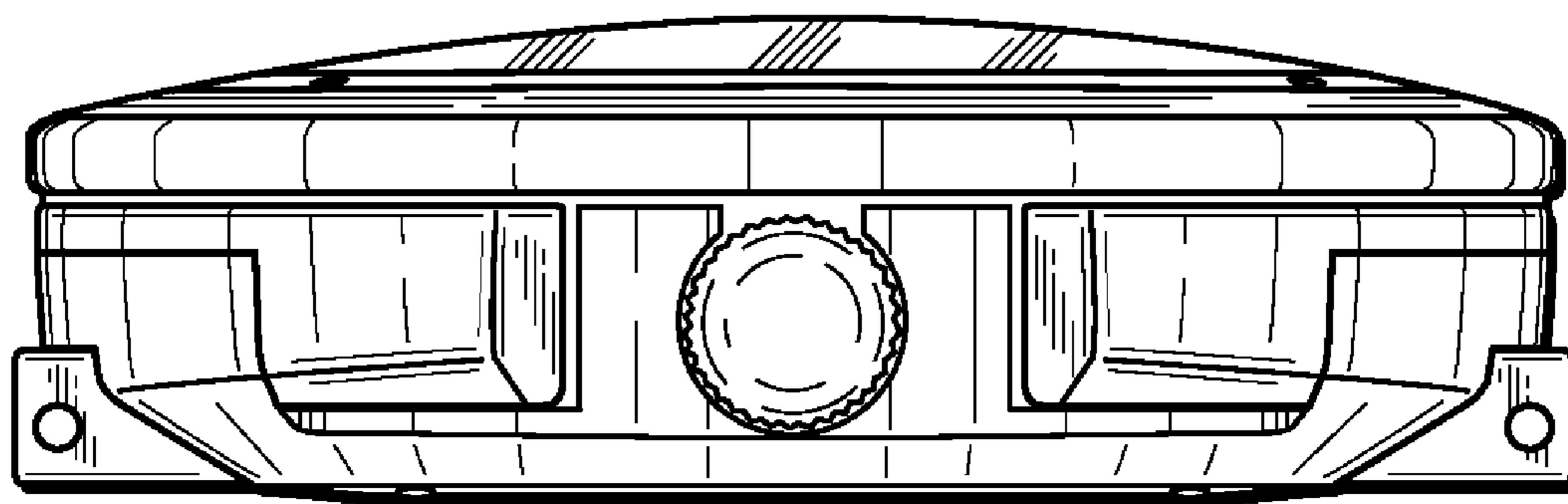


Fig. 12

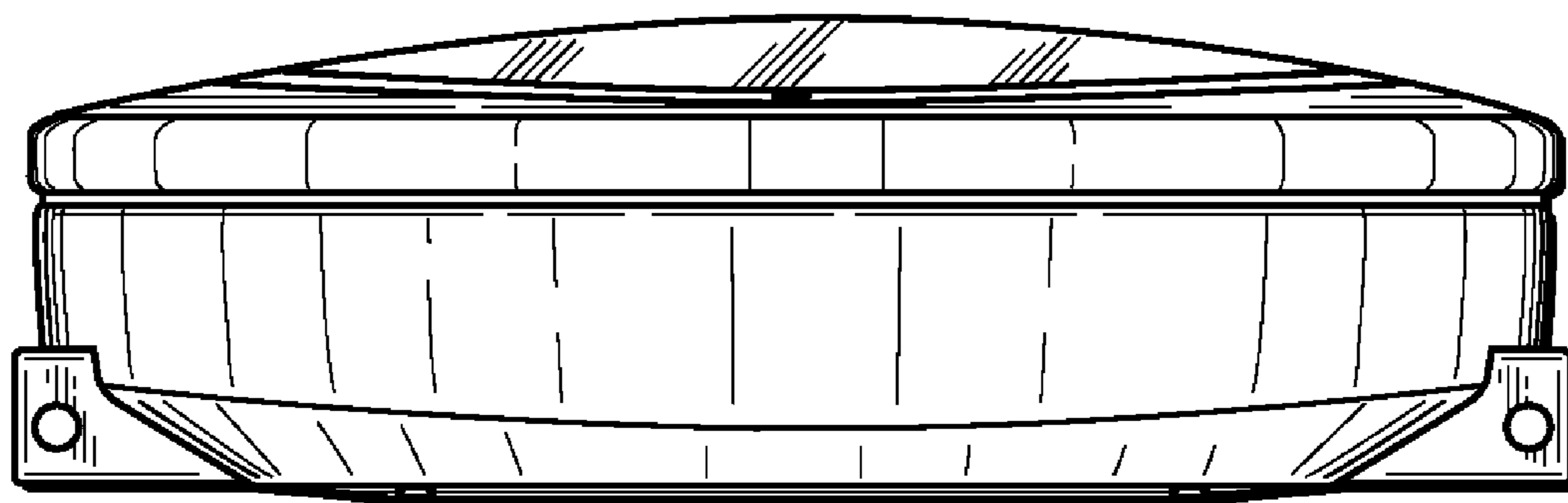


Fig. 13

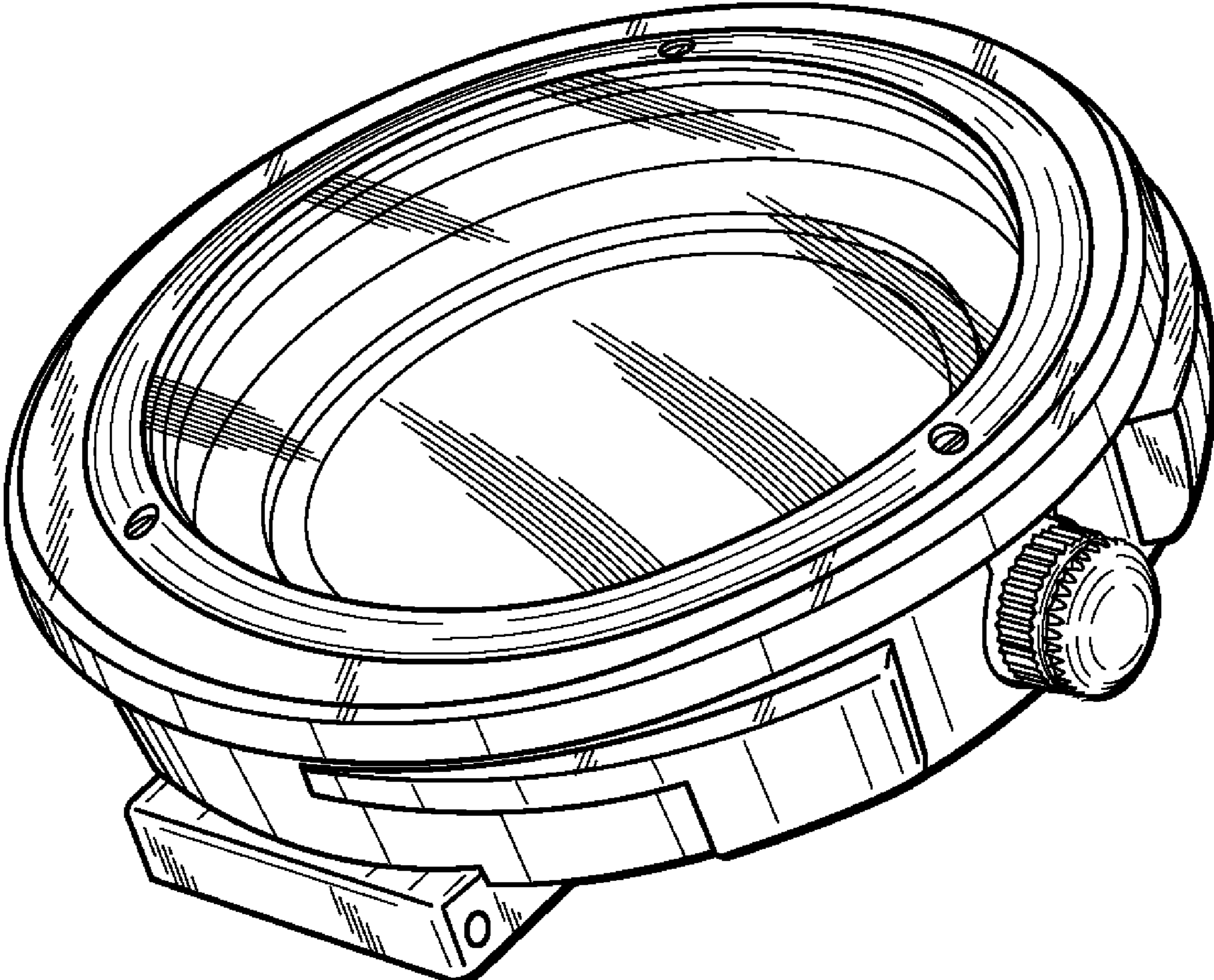


Fig. 14

